



US00D850175S

(12) **United States Design Patent**
Lin

(10) **Patent No.:** **US D850,175 S**
(45) **Date of Patent:** **** Jun. 4, 2019**

(54) **DESK LEG**

(71) Applicants: **Yi-Chen Tseng**, Taichung (TW);
HI-MAX INNOVATION CO., LTD.,
Taichung (TW)

(72) Inventor: **Jhih-Fan Lin**, Taichung (TW)

(73) Assignees: **Yi-Chen Tseng**, Taichung (TW);
Hi-Max Innovation Co., Ltd.,
Taichung (TW)

(**) Term: **15 Years**

(21) Appl. No.: **29/633,792**

(22) Filed: **Jan. 16, 2018**

(51) **LOC (11) Cl.** **06-06**

(52) **U.S. Cl.**
USPC **D6/709**

(58) **Field of Classification Search**
USPC D6/652, 654, 654.1, 654.17, 655, 655.1,
D6/655.11, 655.13, 655.14, 655.18, 656,
D6/656.12, 656.13, 656.15, 656.16,
D6/656.17, 656.19, 675, 686, 687, 688,
D6/691, 698, 707.19, 708.21, 709,
D6/709.18, 709.2, 709.21, 709.22, 710,
D6/711, 712

CPC .. A47B 3/00; A47B 3/08; A47B 3/083; A47B
3/087; A47B 21/00; A47B 21/02; A47B
21/03; A47B 21/06; A47B 21/0073; A47B
21/0076; A47B 21/0314

See application file for complete search history.

(56) **References Cited**

U.S. PATENT DOCUMENTS

D226,255 S * 2/1973 Williamson D6/709
D304,112 S * 10/1989 Bettess D34/21
D308,922 S * 7/1990 Ng D18/59
D331,852 S * 12/1992 Shimonovite D6/709

D331,853 S * 12/1992 Shimonovite D6/709
D347,133 S * 5/1994 Karl D6/709.2
D378,635 S * 4/1997 Studer D6/656.15
D411,062 S * 6/1999 Grosfillex D6/709.2
D520,271 S * 5/2006 Yim Chi Ming D6/709.2
D550,003 S * 9/2007 Fiore, Jr. D6/709
D819,371 S * 6/2018 Cao D6/656.16
D826,600 S * 8/2018 Yamamoto D6/656.16
D832,003 S * 10/2018 Ezur D6/656.17

OTHER PUBLICATIONS

Student Height Adjustable Desk, posted at Hi-max.com.tw, posted on Nov. 30, 2018, site visited Dec. 7, 2018. online, available from internet: https://webcache.googleusercontent.com/search?q=cache:QI2rWmbyfegJ:https://www.hi-max.com.tw/product_detail.php%3Fsn%3D9+&cd=2&hl=en&ct=clnk&gl=us.*

* cited by examiner

Primary Examiner — Mary Ann Calberese

Assistant Examiner — Catherine Ho

(74) *Attorney, Agent, or Firm* — Wang Law Firm, Inc.

(57) **CLAIM**

The ornamental design for a desk leg, as shown and described.

DESCRIPTION

FIG. 1 is a perspective view of a desk leg, showing my new design;

FIG. 2 is a front view thereof;

FIG. 3 is a rear view thereof;

FIG. 4 is a left view thereof;

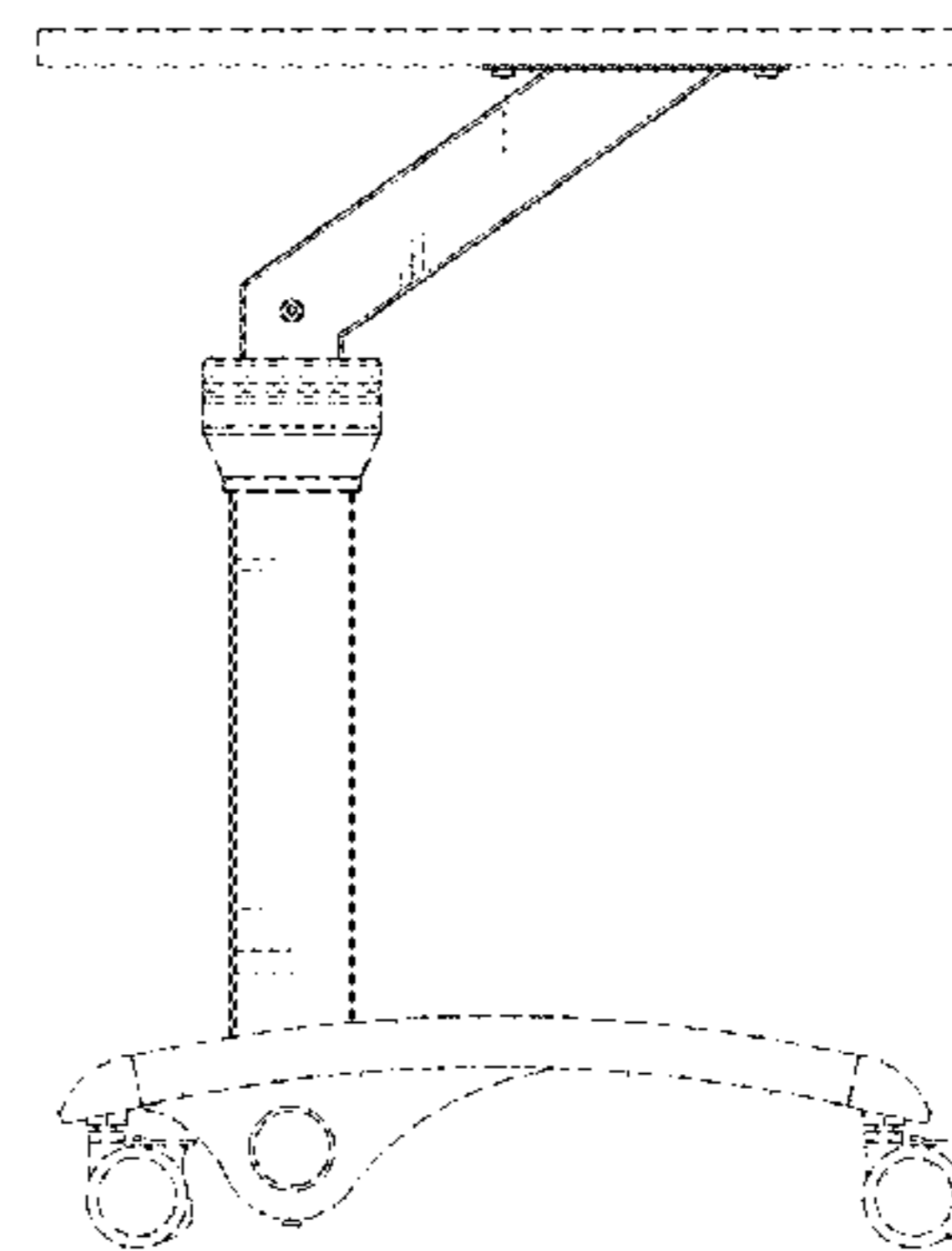
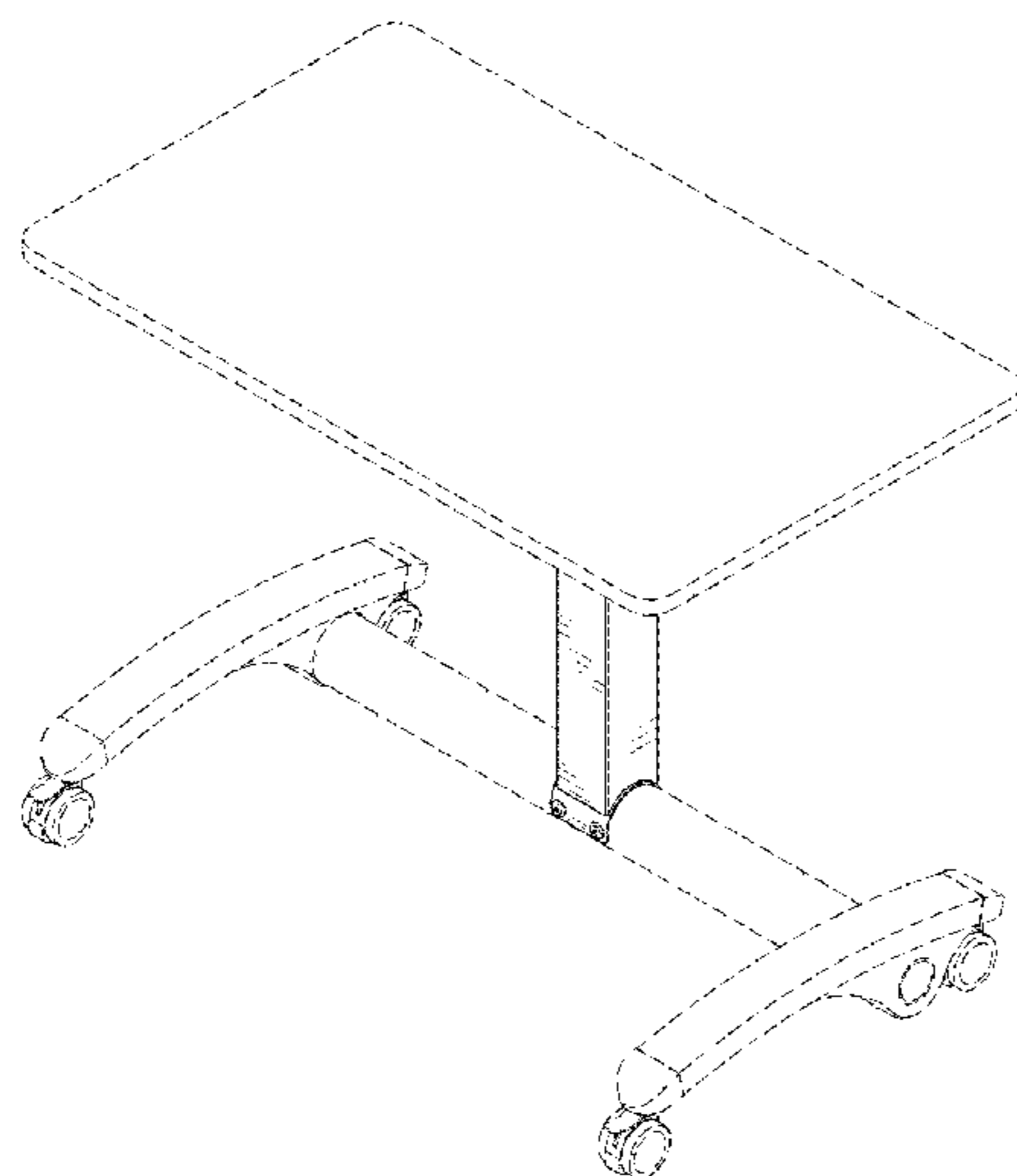
FIG. 5 is a right view thereof;

FIG. 6 is a top view thereof; and,

FIG. 7 is a bottom view thereof.

All broken line portion of the figure drawings is included to show portions of the article that form no part of the claimed design.

1 Claim, 7 Drawing Sheets



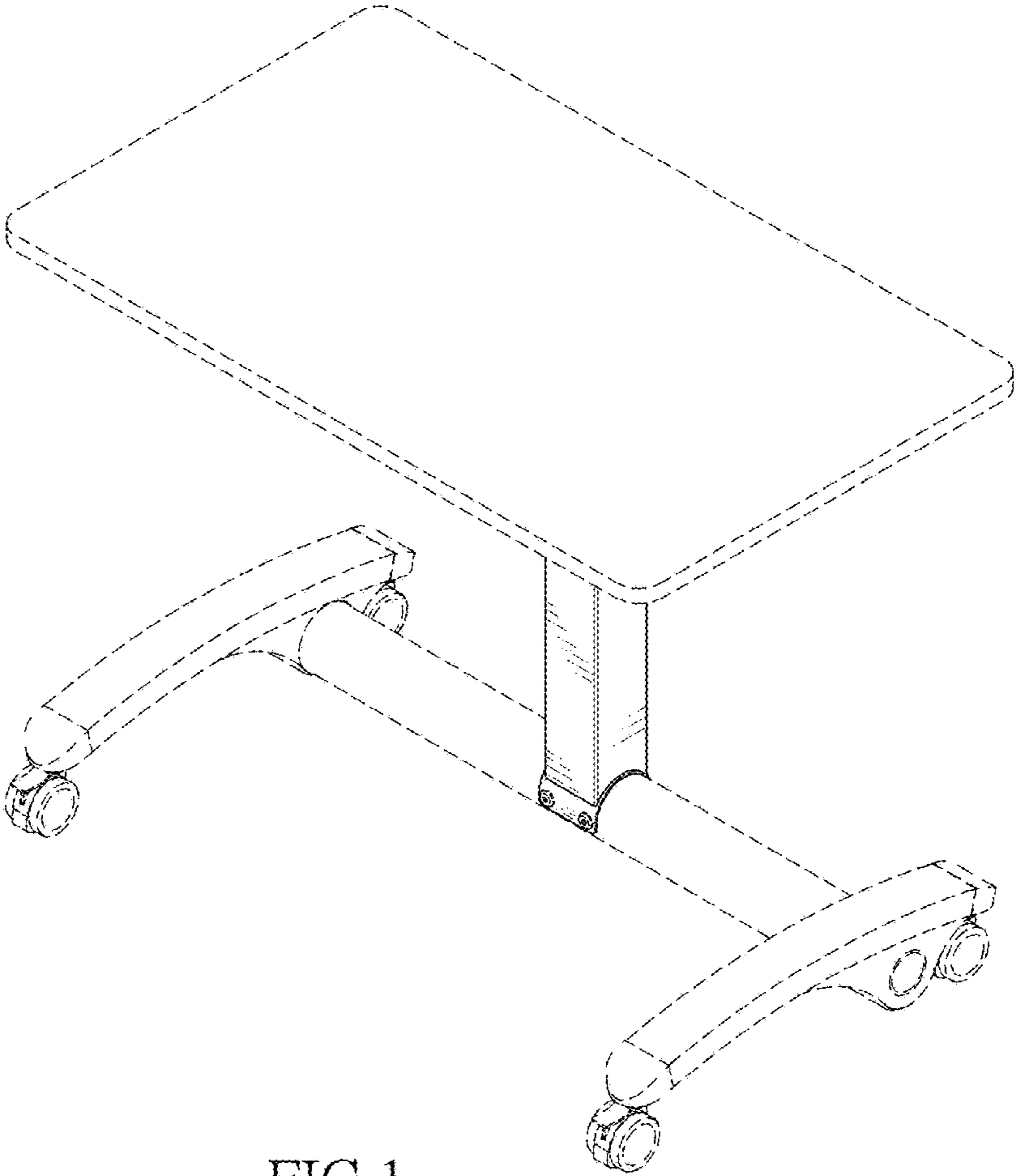


FIG.1

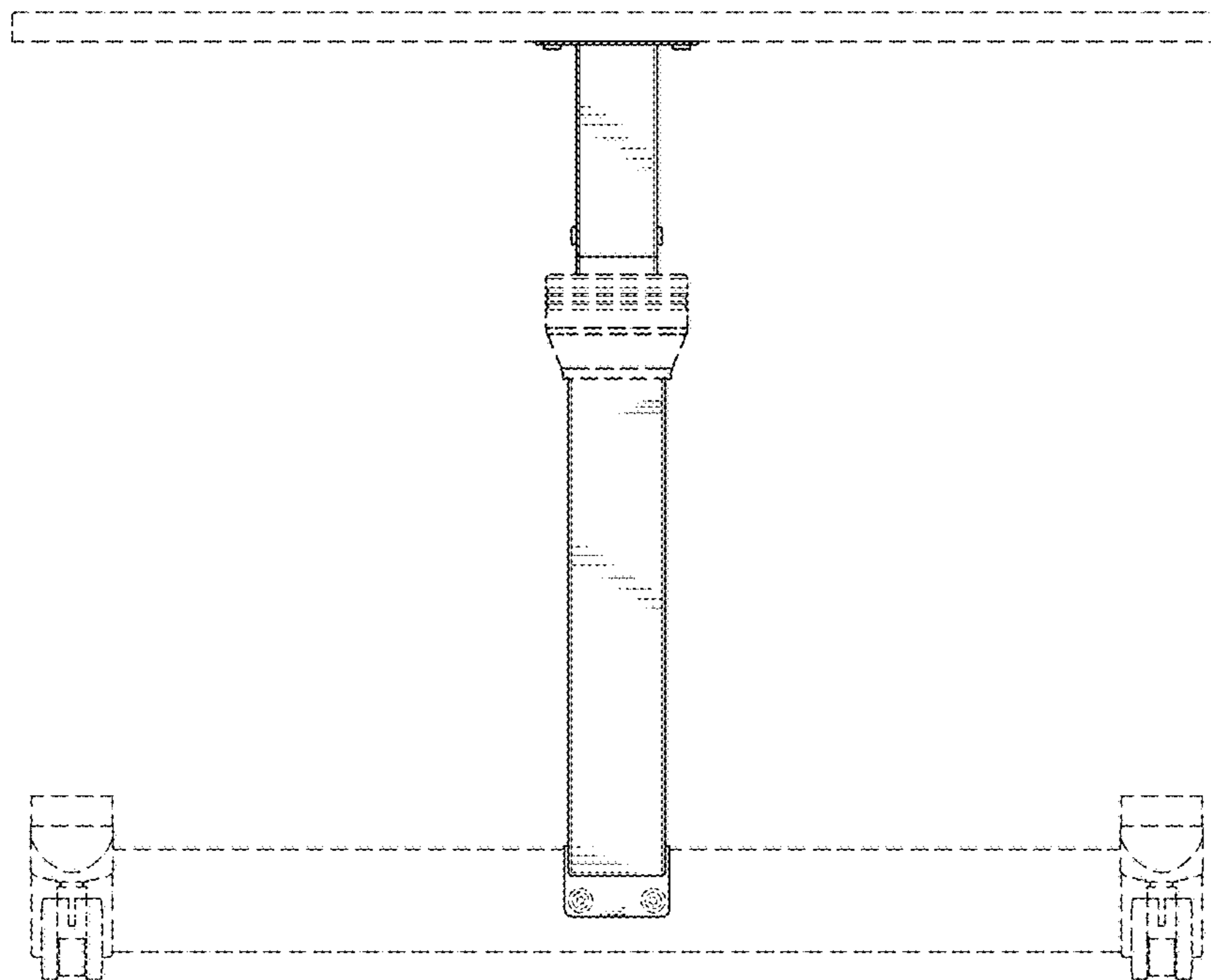


FIG.2

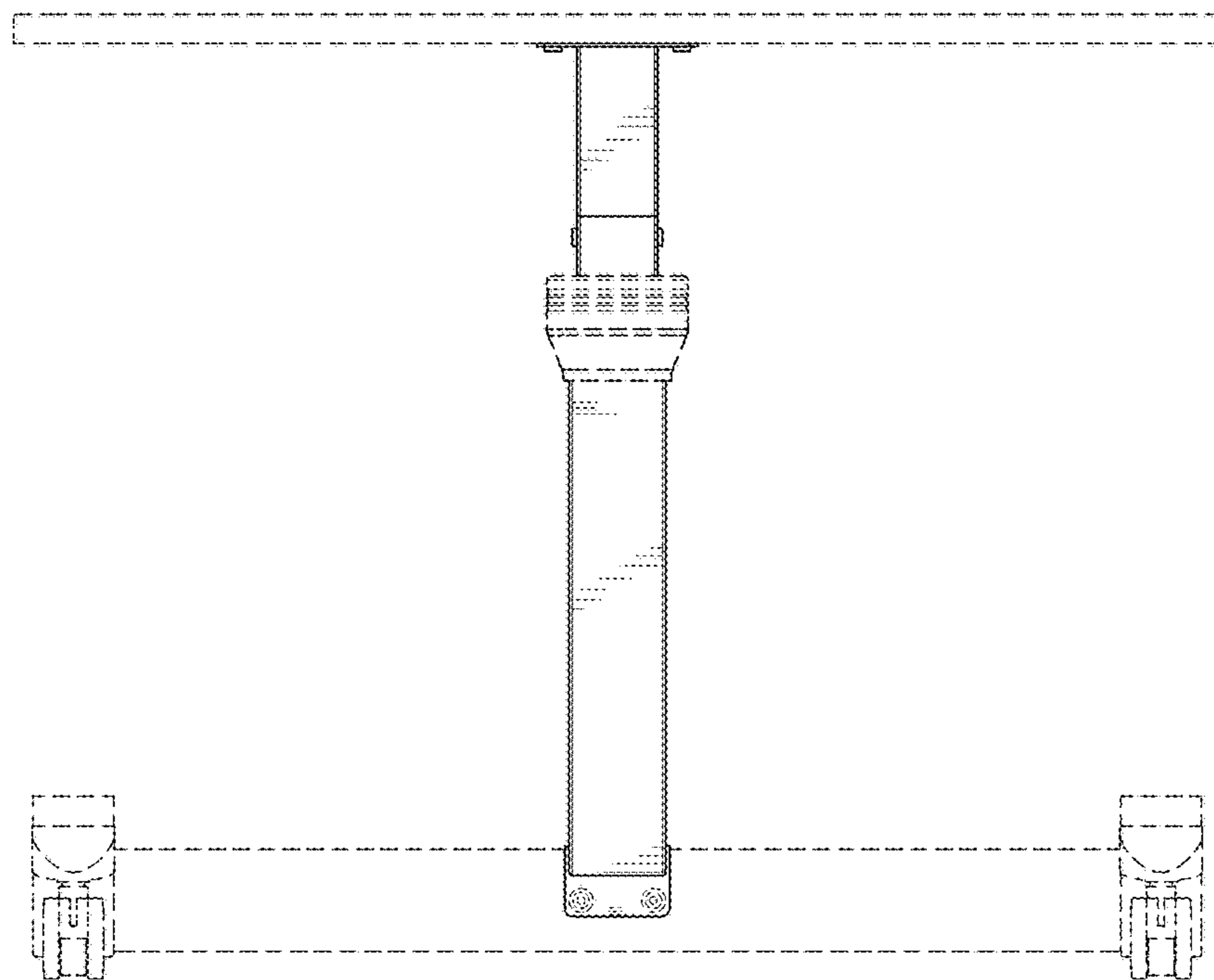


FIG.3

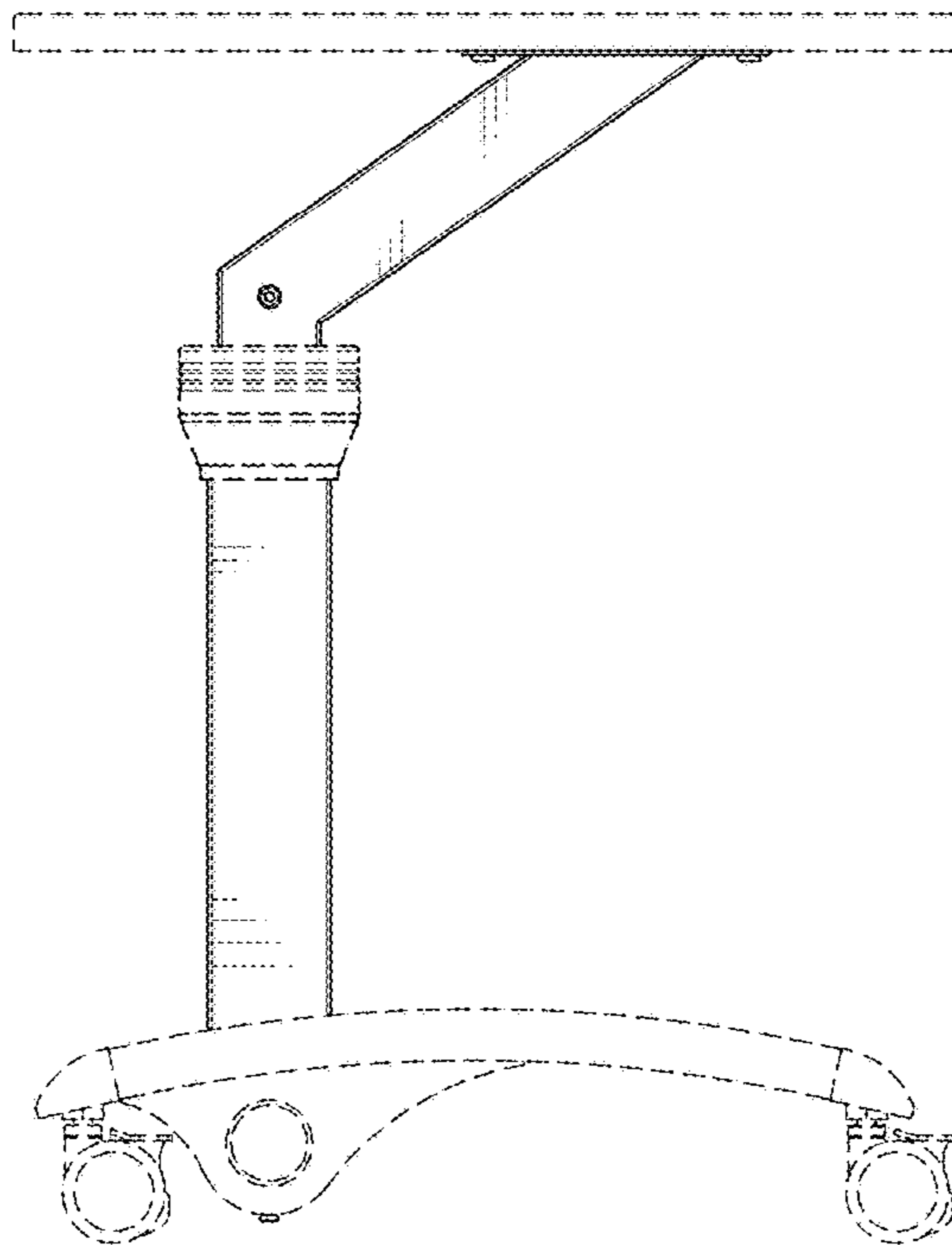


FIG.4

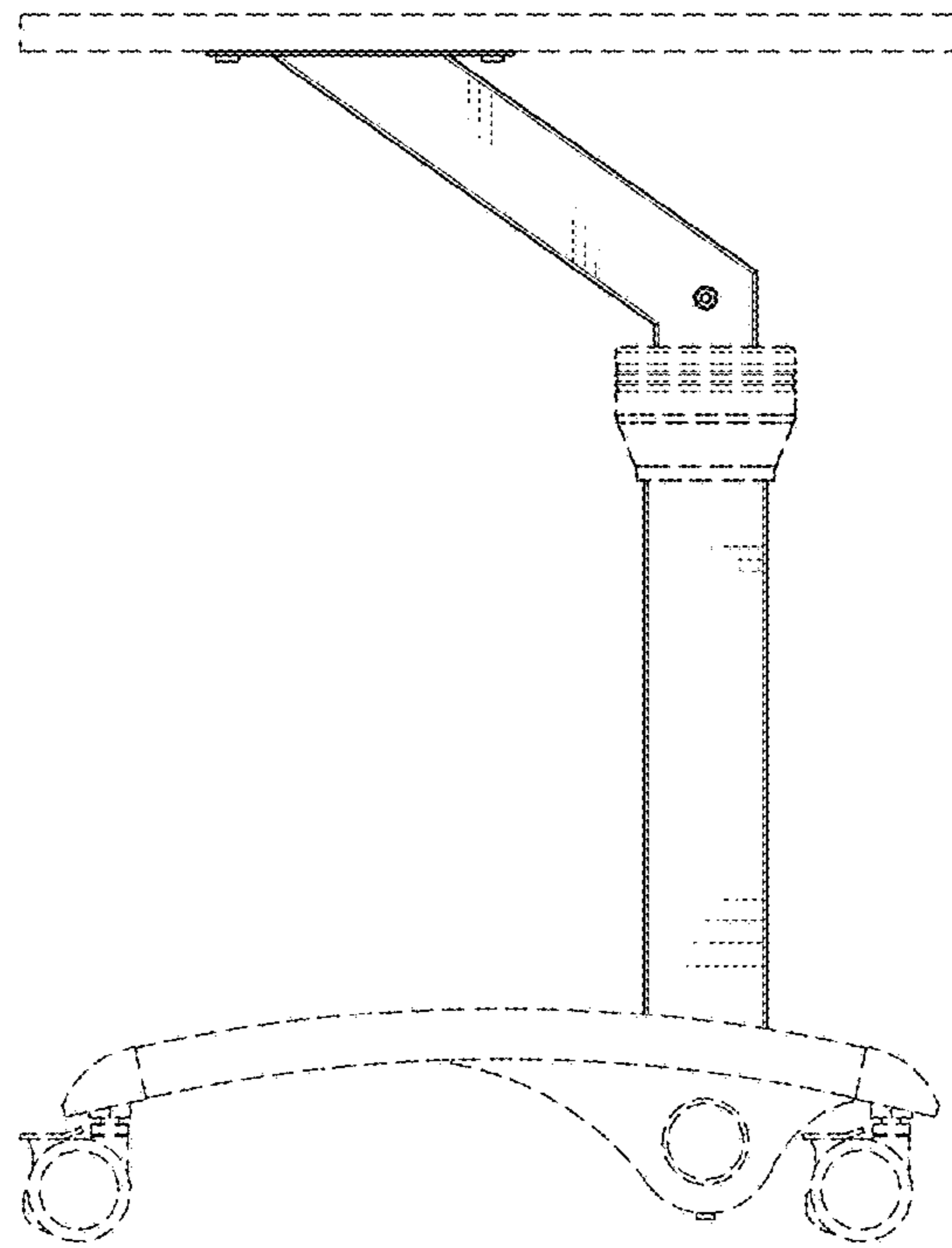


FIG. 5



FIG.6

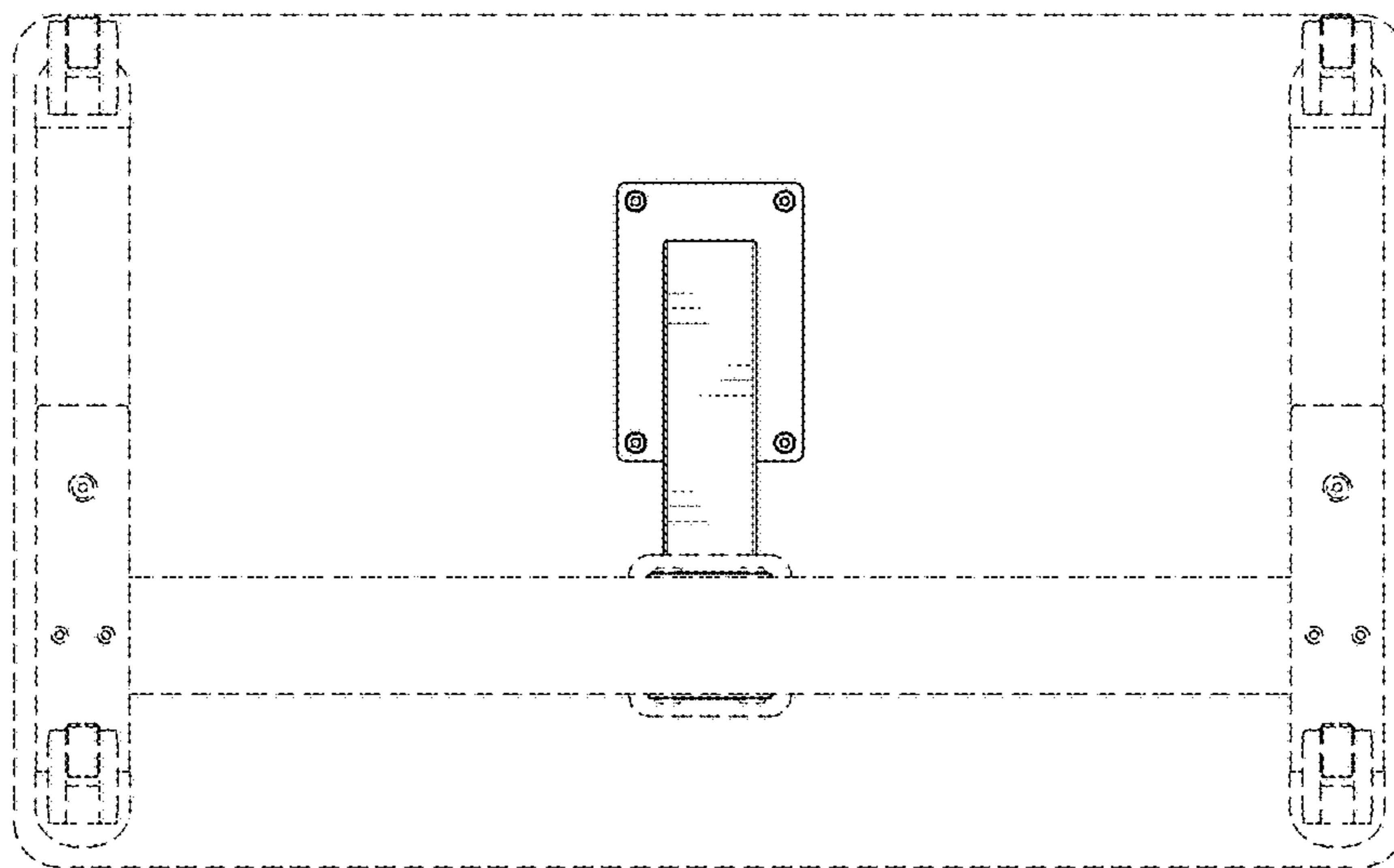


FIG.7