



US00D850173S

(12) **United States Design Patent**
Bozzoli

(10) **Patent No.:** **US D850,173 S**

(45) **Date of Patent:** **** Jun. 4, 2019**

- (54) **TABLE**
- (71) Applicant: **DEDON, GmbH**, Lüneburg (DE)
- (72) Inventor: **Lorenza Bozzoli**, Milan (IT)
- (73) Assignee: **DEDON, GmbH**, Lüneburg (DE)
- (**) Term: **15 Years**

D394,567 S *	5/1998	Hallenheim	D6/693
D401,086 S *	11/1998	Hellwig	D6/650
D585,670 S *	2/2009	Gharabegian	D6/693
D767,925 S *	10/2016	Blagmon, Jr.	D6/693
D834,861 S *	12/2018	Brooks	D6/697

* cited by examiner

Primary Examiner — Mary Ann Calabrese

(74) *Attorney, Agent, or Firm* — MacCord Mason PLLC

- (21) Appl. No.: **29/588,696**
- (22) Filed: **Dec. 22, 2016**
- (51) **LOC (11) Cl.** **06-03**
- (52) **U.S. Cl.**
USPC **D6/693.3**
- (58) **Field of Classification Search**
USPC ... D6/639, 650, 685, 686, 693, 693.1–693.3,
D6/697, 707.18, 707.21
CPC A47B 7/00; A47B 13/00; A47B 13/003;
A47B 13/02; A47B 13/08; A47B 13/10;
A47B 21/00; A47B 2200/0001; A47B
2200/0011
See application file for complete search history.

(57) **CLAIM**

The ornamental design for a table, as shown and described.

DESCRIPTION

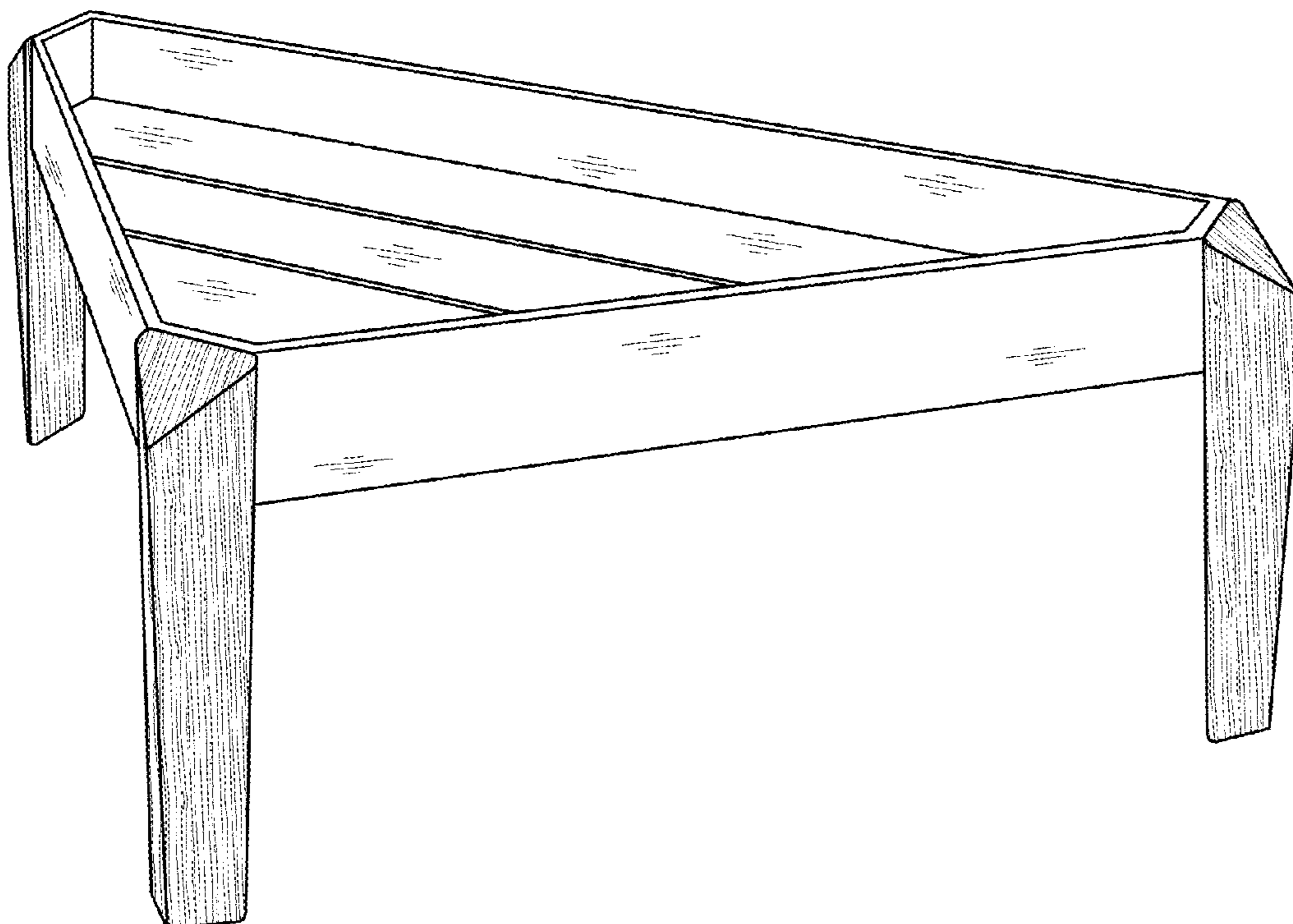
FIG. 1 is a front perspective view of a table showing my new design;
 FIG. 2 is a front view thereof;
 FIG. 3 is a side view, the opposite side being a mirror image thereof;
 FIG. 4 is a back view thereof; and,
 FIG. 5 is a top view.

1 Claim, 5 Drawing Sheets

(56) **References Cited**

U.S. PATENT DOCUMENTS

D300,396 S *	3/1989	Kelley	D6/693.3
D389,347 S *	1/1998	Muller	D6/693.3



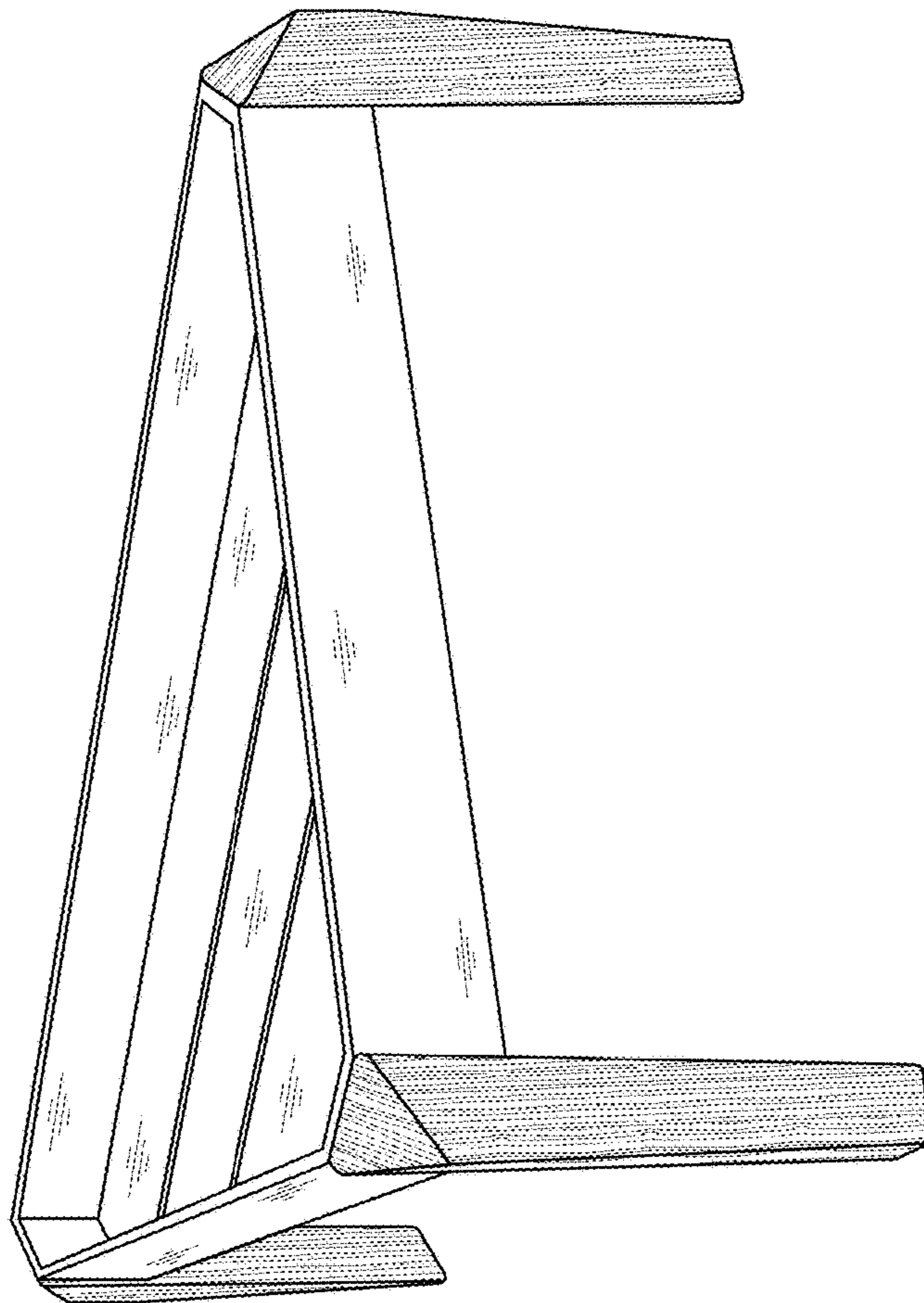


FIG. 1

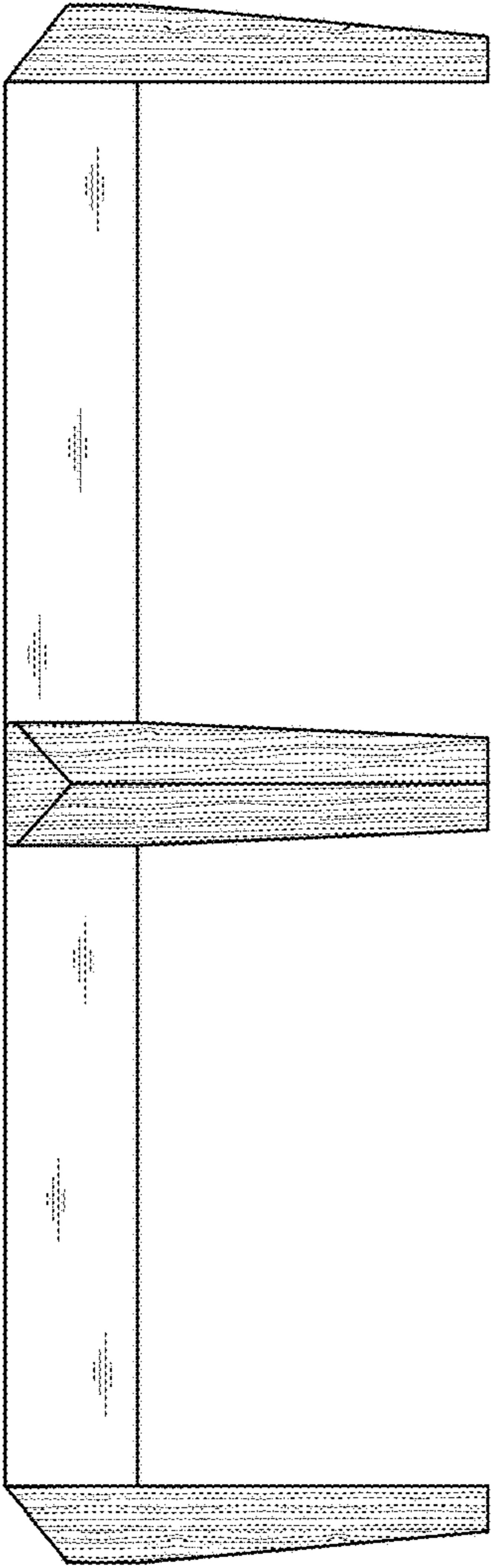


FIG. 2

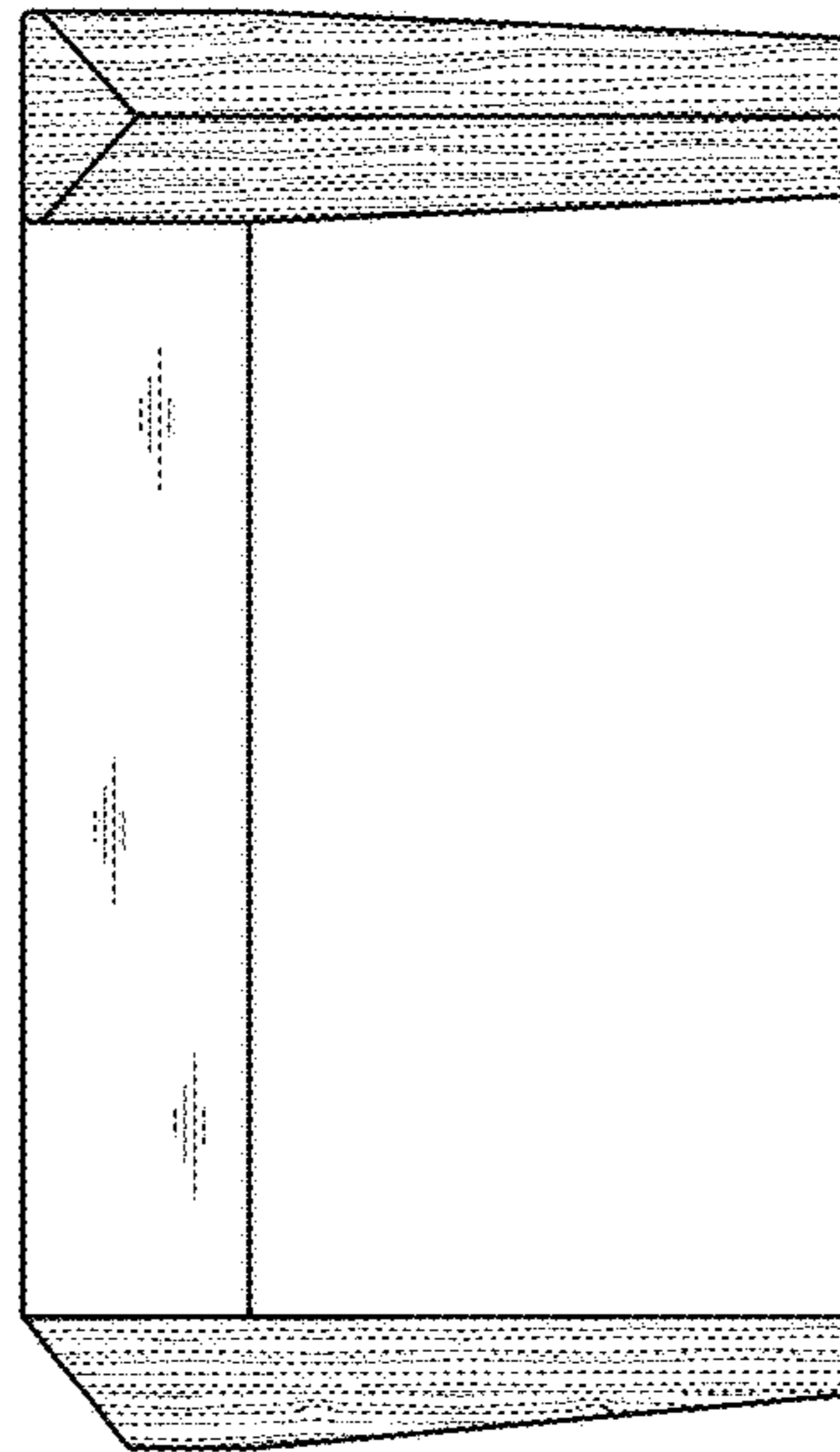


FIG. 3

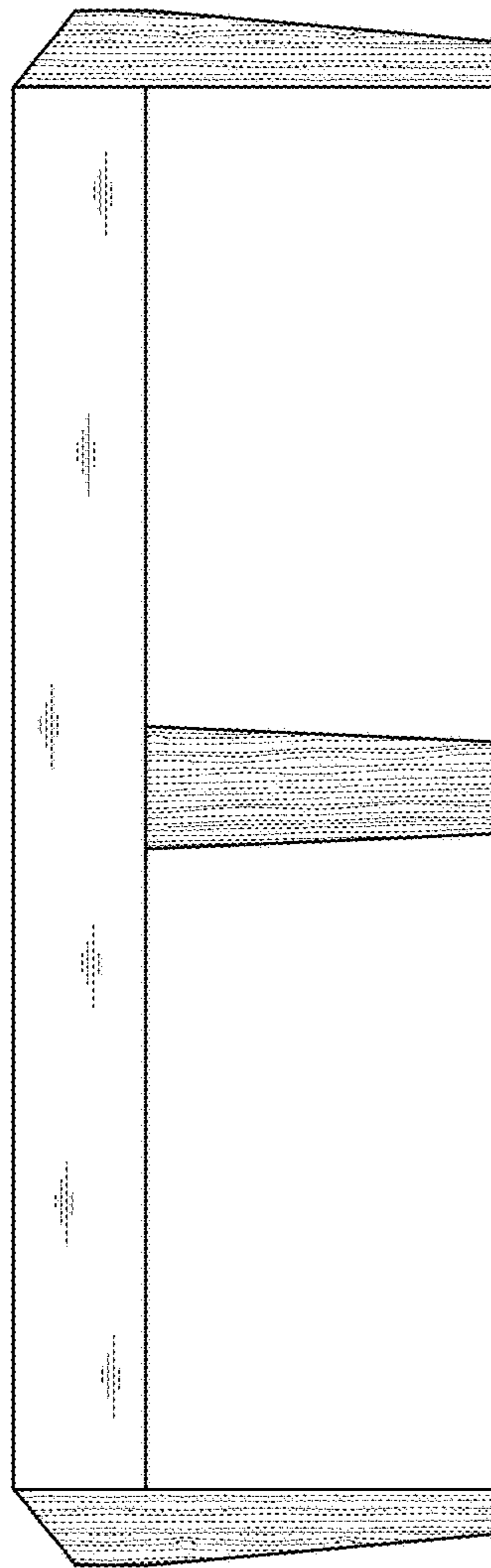


FIG. 4

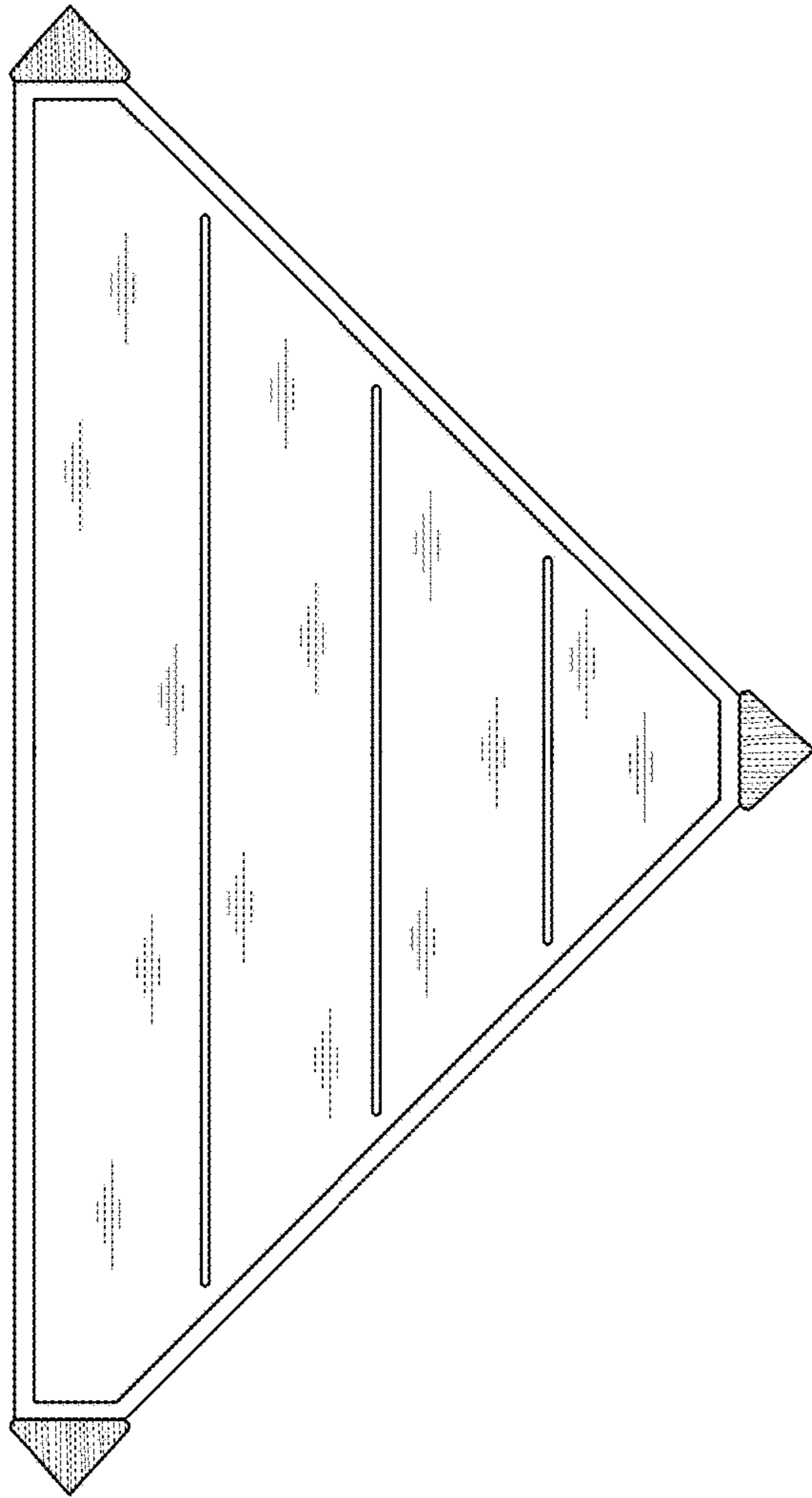


FIG. 5