



US00D850172S

(12) **United States Design Patent**
Hu

(10) **Patent No.:** **US D850,172 S**
(45) **Date of Patent:** **** Jun. 4, 2019**

(54) **MOBILE HEIGHT-ADJUSTABLE WORK STATION**

(71) Applicant: **Designa, Inc.**, Foshan (CN)

(72) Inventor: **Yajun Hu**, Foshan (CN)

(73) Assignee: **DESIGNA INC.**, Foshan (CN)

(**) Term: **15 Years**

(21) Appl. No.: **29/603,250**

(22) Filed: **May 8, 2017**

(51) **LOC (11) Cl.** **06-03**

(52) **U.S. Cl.**
USPC **D6/686**

(58) **Field of Classification Search**

USPC ... D6/353, 368, 642, 663, 686, 687, 688.11,
D6/688.19, 691, 691.1, 691.9, 692, 692.2,
D6/692.5, 692.6, 707, 707.12, 707.18,
D6/707.19, 707.2, 708, 708.16, 709,
D6/709.18, 709.19; D34/19
CPC A47B 81/00; A47B 88/00; A47B 88/41;
A47B 88/42; A47B 2210/16; B62B 3/00;
B60B 33/00

See application file for complete search history.

(56) **References Cited**

U.S. PATENT DOCUMENTS

D124,960 S * 2/1941 Bell D34/19
D183,621 S 9/1958 Levin
4,786,122 A 11/1988 Nichoalds
D325,800 S * 4/1992 Kelley D34/19
D341,010 S 11/1993 Johnson
D355,516 S * 2/1995 Grady D34/19

(Continued)

FOREIGN PATENT DOCUMENTS

AU 2014216002 A1 3/2015
AU 2013245512 A1 5/2015

(Continued)

OTHER PUBLICATIONS

Office Workstation Design, posted at Iccorporateinteriors.com.au, posted on May 23, 2015, site visited Apr. 23, 2018. online, available from internet: <https://web.archive.org/web/20150523054550/https://www.icorporateinteriors.com.au/office-workstation-design-2/>.*

(Continued)

Primary Examiner — Mary Ann Calabrese

Assistant Examiner — Catherine Ho

(74) *Attorney, Agent, or Firm* — Alston & Bird LLP

(57) **CLAIM**

I claim the ornamental design for a mobile height-adjustable work station, as shown and described.

DESCRIPTION

FIG. 1 is a perspective view of a mobile height-adjustable work station in a collapsed position, showing my new design;

FIG. 2 is a front elevation view thereof;

FIG. 3 is a rear elevation view thereof;

FIG. 4 is a left side elevation view thereof;

FIG. 5 is a right side elevation view thereof;

FIG. 6 is a top plan view thereof;

FIG. 7 is a bottom plan view thereof;

FIG. 8 is a perspective view of a mobile height-adjustable work station in an extended position;

FIG. 9 is a front elevation view thereof;

FIG. 10 is a rear elevation view thereof;

FIG. 11 is a left side elevation view thereof;

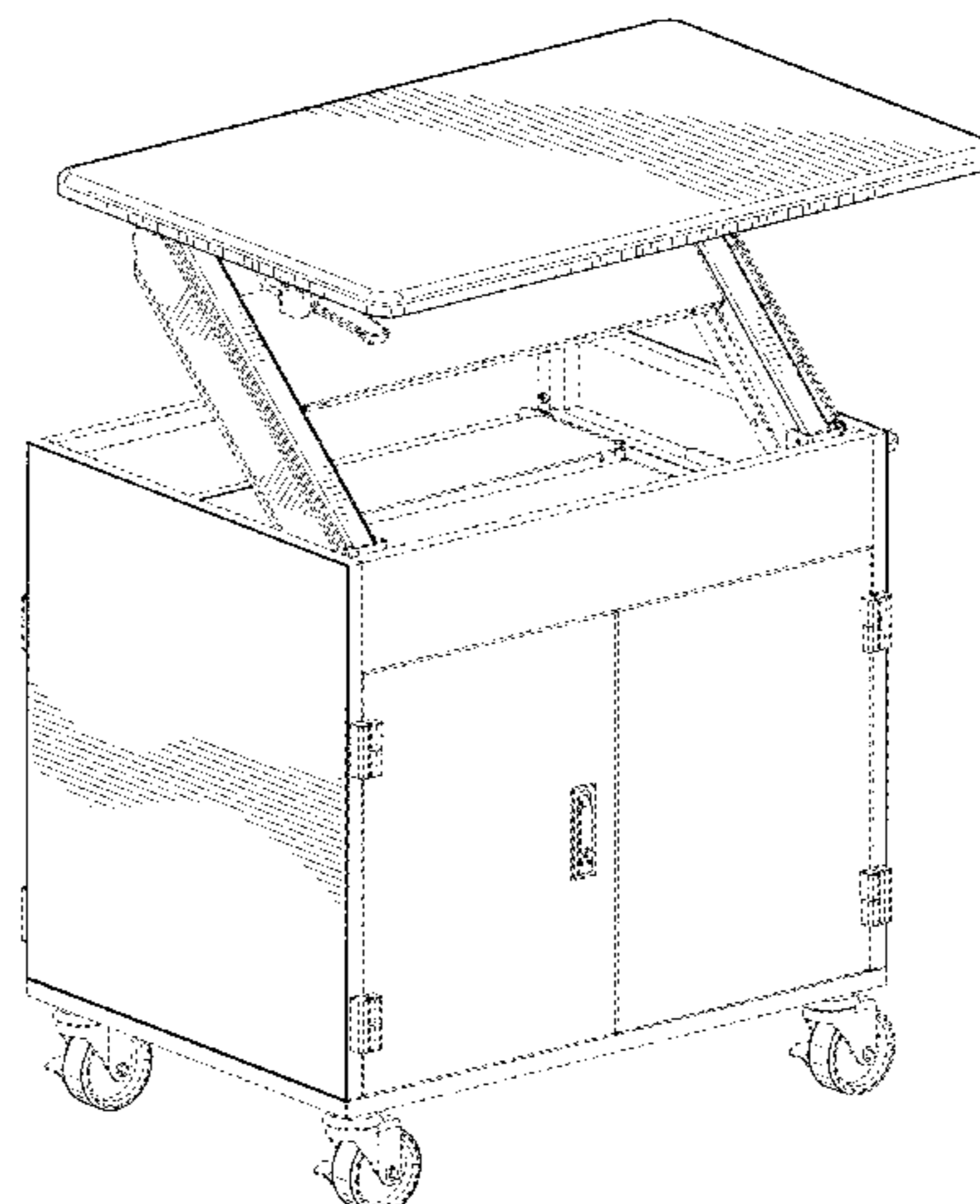
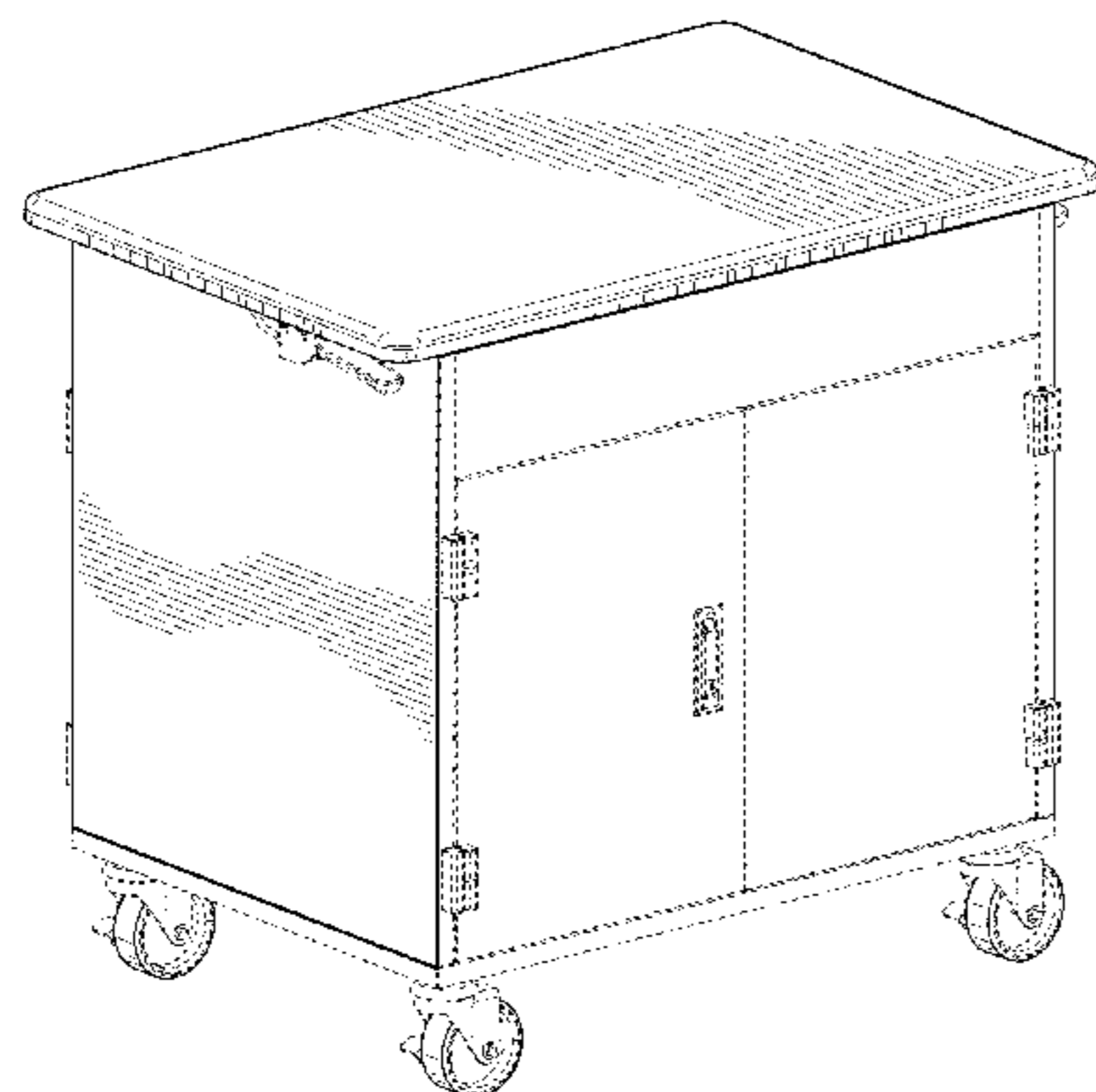
FIG. 12 is a right side elevation view thereof;

FIG. 13 is a top plan view thereof; and,

FIG. 14 is a bottom plan view thereof.

The broken line portion of the figure drawings is included to show portions of the article that forms no part of the claimed design.

1 Claim, 14 Drawing Sheets



(56)

References Cited

U.S. PATENT DOCUMENTS

D363,590 S 10/1995 Kazmerchek et al.
 5,649,493 A 7/1997 Blume
 D391,031 S 2/1998 Egan et al.
 D410,127 S * 5/1999 Colomban D34/20
 D470,687 S * 2/2003 Binse D6/657
 D549,001 S * 8/2007 Brandon D6/657
 D579,231 S * 10/2008 Cheng D6/642
 D591,021 S 4/2009 Peacock
 8,671,853 B2 3/2014 Flaherty
 8,800,454 B2 8/2014 Jones
 9,049,923 B1 6/2015 Delagey et al.
 9,055,810 B2 6/2015 Flaherty
 9,113,703 B2 8/2015 Flaherty
 D742,613 S 11/2015 Hu
 D743,190 S * 11/2015 Franck D6/675
 9,277,809 B2 3/2016 Flaherty et al.
 9,289,058 B2 3/2016 Flaherty
 9,326,598 B1 5/2016 West et al.
 D771,981 S 11/2016 Flaherty et al.
 D771,982 S 11/2016 Flaherty et al.
 9,504,316 B1 11/2016 Streicher et al.
 9,554,644 B2 1/2017 Flaherty et al.
 D780,397 S 2/2017 Nicoll et al.
 D781,617 S 3/2017 Flaherty et al.
 D781,618 S 3/2017 Flaherty et al.
 D781,619 S 3/2017 Flaherty et al.
 D785,386 S 5/2017 Flaherty et al.
 D785,989 S 5/2017 Flaherty et al.
 D787,753 S * 5/2017 Moran D30/143
 D800,483 S 10/2017 Innes
 D809,730 S 2/2018 Churchvara et al.
 2013/0221820 A1 * 8/2013 Chang B25H 3/02
 312/330.1
 2015/0084488 A1 * 3/2015 Vellutato, Jr. A47B 81/00
 312/34.4
 2015/0107627 A1 * 4/2015 Snyder A61B 90/70
 134/22.1
 2015/0289641 A1 10/2015 Ergun et al.
 2017/0225698 A9 * 8/2017 Turbett B62B 3/002

FOREIGN PATENT DOCUMENTS

AU 2015201469 A1 10/2015
 CA 2860970 A1 2/2015
 CA 2885812 A1 9/2015
 CA 163904 S 3/2016
 CA 165252 S 6/2016
 CN 105901923 A 8/2016
 CN 205963351 U 2/2017
 EP 2685867 A1 1/2014
 EP 2842458 A1 3/2015
 EP 2926689 A1 10/2015
 JP 03-198070 U 6/2015
 KR 2017-028814 A 3/2017

TW 201412270 A 4/2014
 TW 201444499 A 12/2014
 TW 201637596 A 11/2016
 WO WO-2015/153099 A1 10/2015

OTHER PUBLICATIONS

“Ergotron Work Fit-T Sit-Stand Desktop Workstation Stand with Table Mount”; [online] [retrieved Jan. 11, 2017]. Retrieved from the Internet: <URL: https://www.amazon.com/Ergotron-Sit-Stand-Desktop-Workstation-33-397-085/dp/B00QL6IGWQ/ref=sr_1_1?ie=UTF8&qid=1483986627&sr=8-1&keywords=ergotron+work+table>. (dated 2017) 8 pages.
 “FlexiSpot 35” Wide Platform Height Adjustable Standing Desk Riser”; [online] [retrieved Jan. 11, 2017]. Retrieved from the Internet: <URL:https://www.amazon.com/FlexiSpot-Platform-Adjustable-Removable-M2B-M-SIZE/dp/B01HPE05BM/ref=sr_1_1?ie=UTF8&qid=1483986590&sr=8-1&keywords=flexispot+35+riser>. (dated 2017) 9 pages.
 “Halter ED-258 Preassembled Height Adjustable Desk Sit / Stand Desk Elevating Desktop”; [online] [retrieved Jan. 11, 2017]. Retrieved from the Internet: <URL: https://www.amazon.com/Halter-ED-258-Preassembled-Adjustable-Elevating/dp/B01BMULFAA/ref=sr_1_fkmr0_1?ie=UTF8&qid=1483986452&sr=8-1-fkmr0&keywords=Halter+ED-258+Pre+Desk+Elevating+Desk>. (dated 2017) 9 pages.
 “Rocelco ADR Height Adjustable Sit/Stand Desk Computer Riser”; [online] [retrieved Jan. 11, 2017]. Retrieved from the Internet: <URL: https://www.amazon.com/Rocelco-ADR-Adjustable-Computer-Capacity/dp/B015GCGOD8/ref=sr_1_1?ie=UTF8&qid=1483986493&sr=8-1&keywords=rocelco+adr>. (dated 2017) 8 pages.
 “Varidesk=Height-Adjustable Standing Desk”; [online] [retrieved Jan. 11, 2017]. Retrieved from the Internet: <URL: https://www.amazon.com/VARIDESK-Height-Adjustable-Standing-Cubicles-Corner/dp/B017BUXRRE/ref=sr_1_1?ie=UTF8&qid=1483986540&sr=8-1-spons&keywords=VARIDESK-Height-Adjustable-Standing-Desk&psc=1>. (dated 2017) 8 pages.
 Decor Therapy Rolling Bar Cart, posted at Amazon.com, posted on Mar. 1, 2017, site visited Aug. 28, 2018. online, available from internet: <https://www.annazon.conn/dp/B06XCZNH63>.
 Homcom 34", posted at Amazon.com, posted on Dec. 13, 2016, site visited Aug. 28, 2018. online, available from internet: <https://www.annazon.conn/dp/B01N9JCIJJ>.
 Homcom 47", posted at Amazon.com, posted on Apr. 26, 2017, site visited Aug. 28, 2018. online, available from internet: <https://www.annazon.conn/HOMCOM-Rolling-Kitchen-Stainless-Shelves/dp/B071169MWP>.
 Winsome Wood Bar Cart, posted at Amazon.com, posted on Mar. 31, 2010, site visited Aug. 28, 2018. online, available from internet: <https://www.amazon.conn/Winsonne-Wood-Cart-Espresso-Finish/product-reviews/BOOGLPQS4>.

* cited by examiner

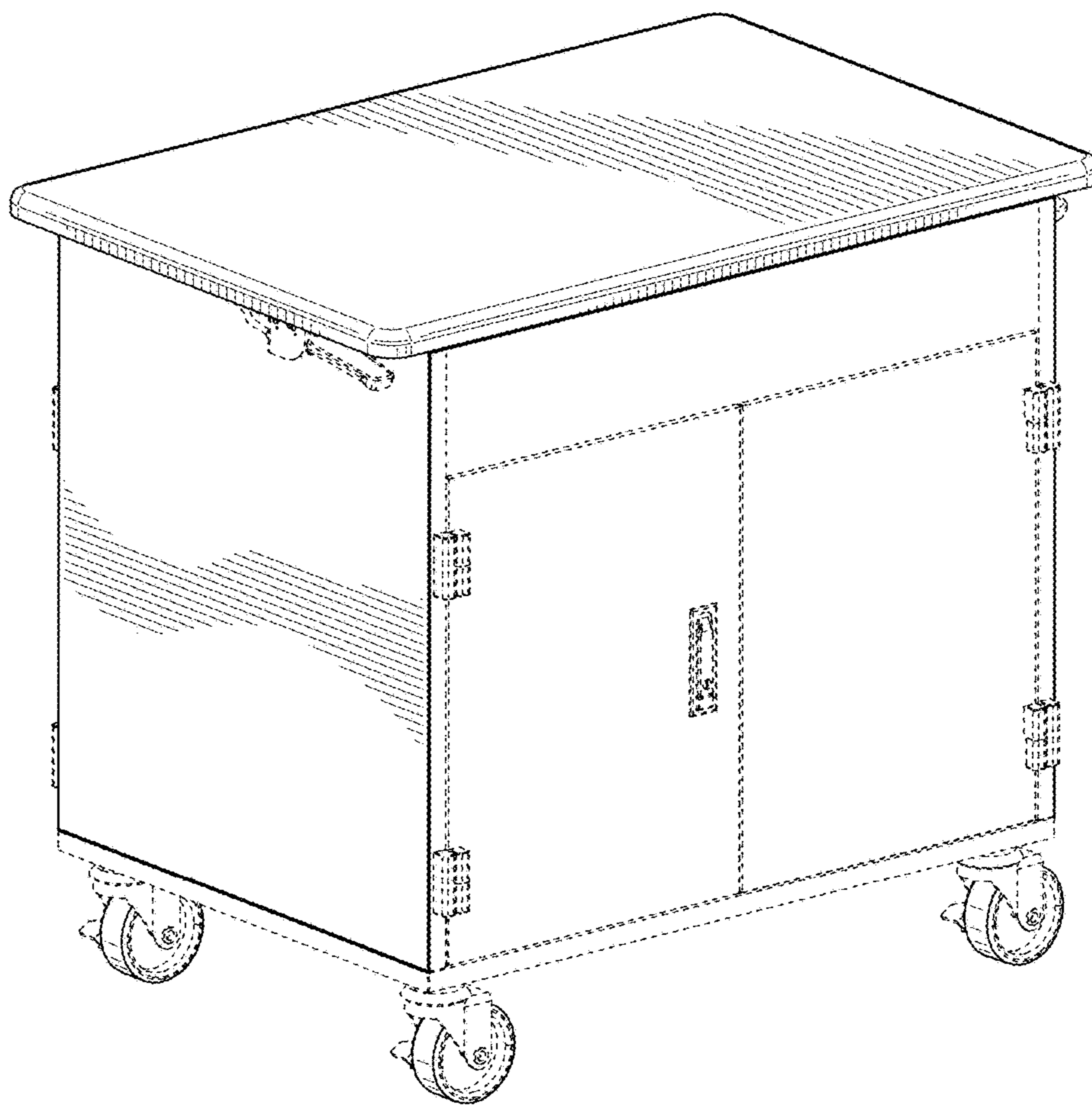


FIG. 1

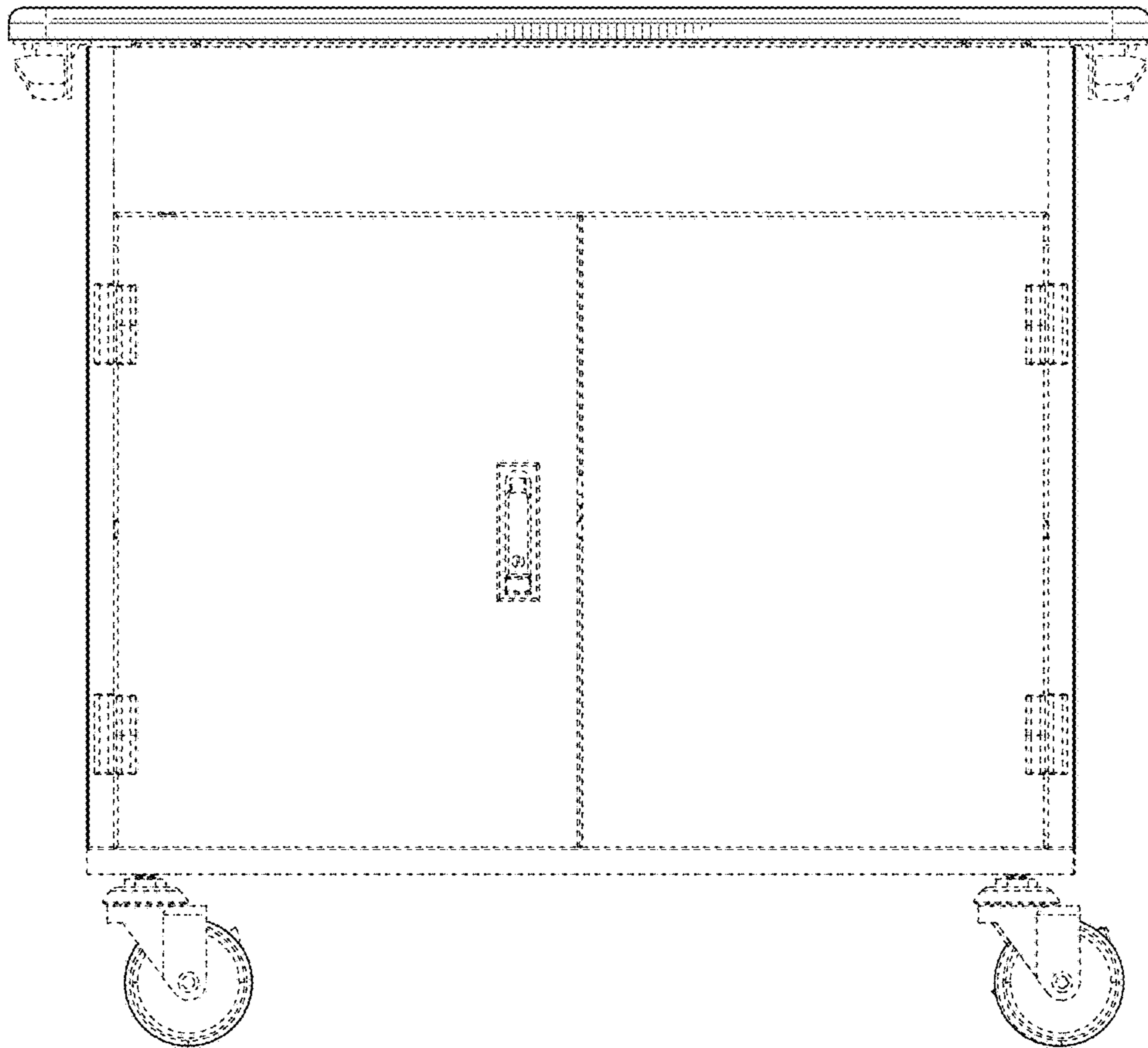


FIG. 2

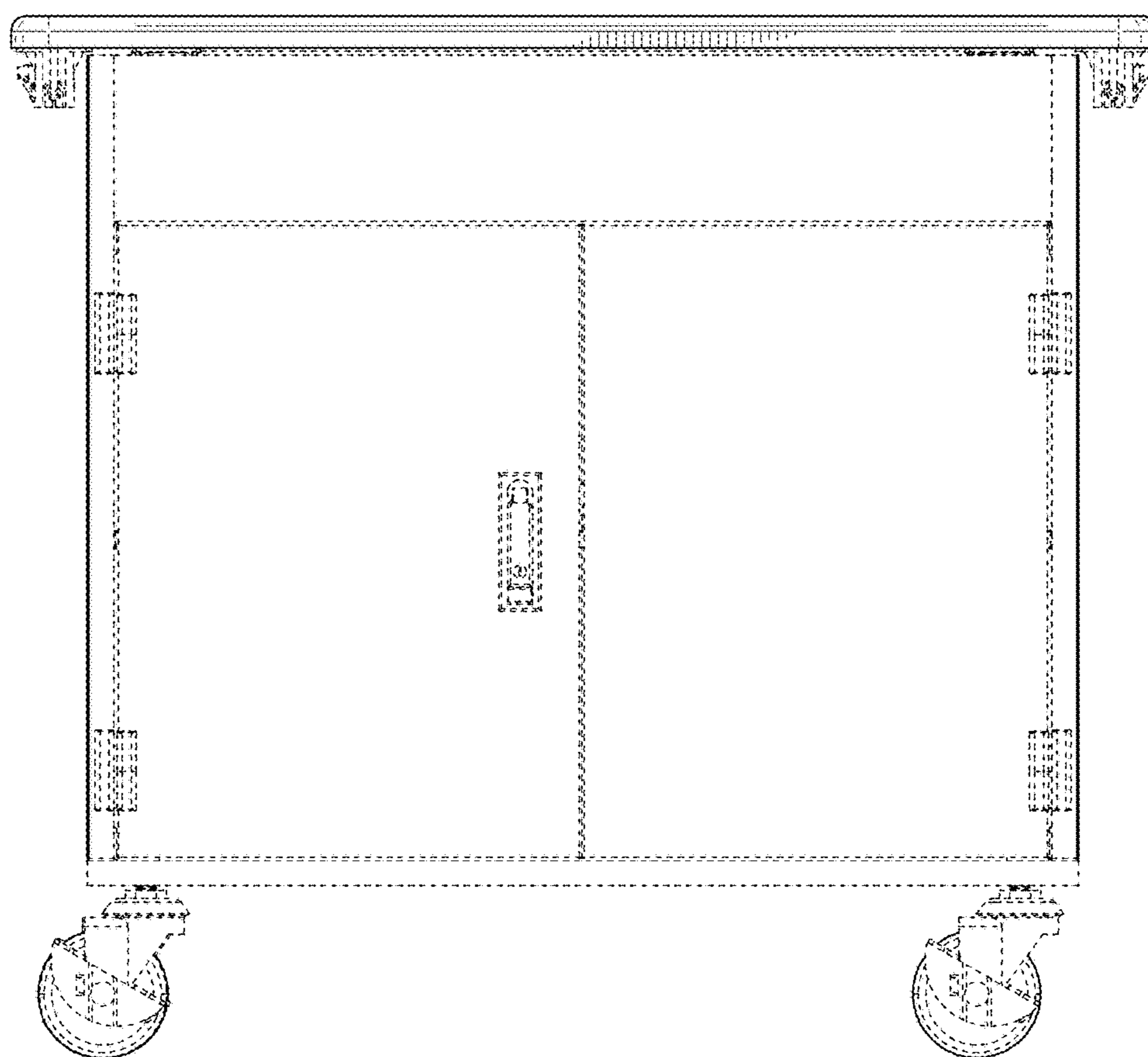


FIG. 3

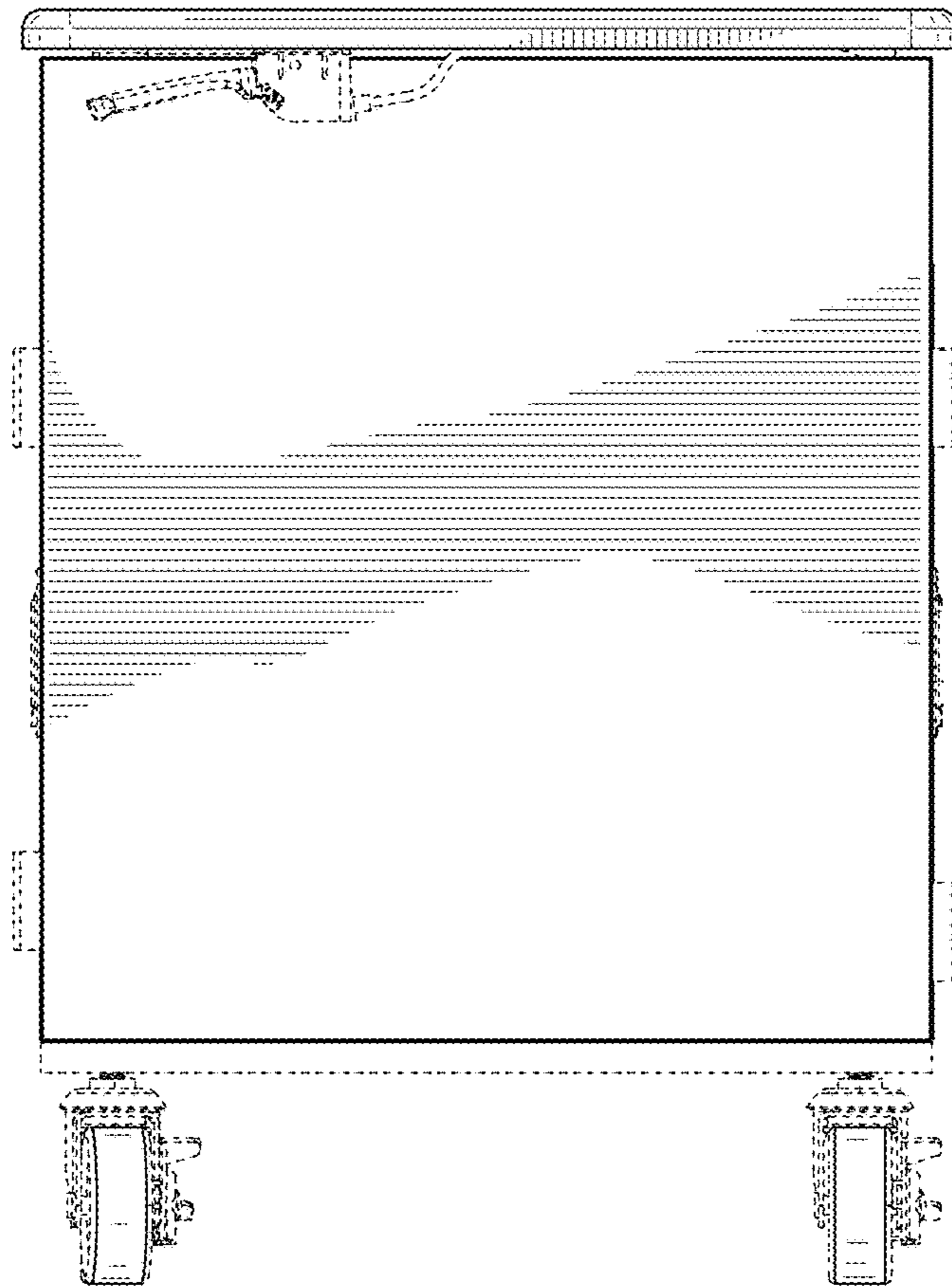


FIG. 4

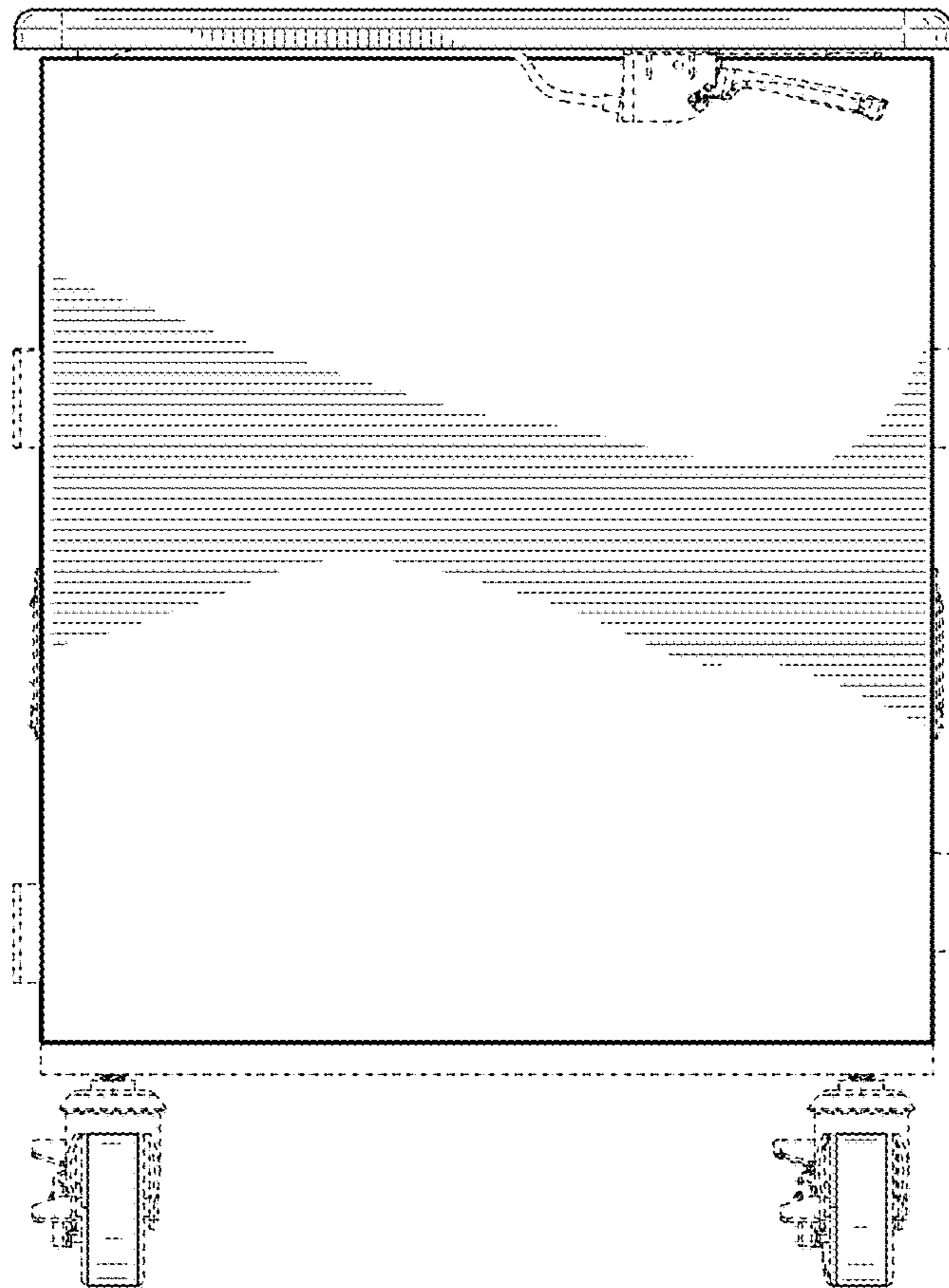


FIG. 5

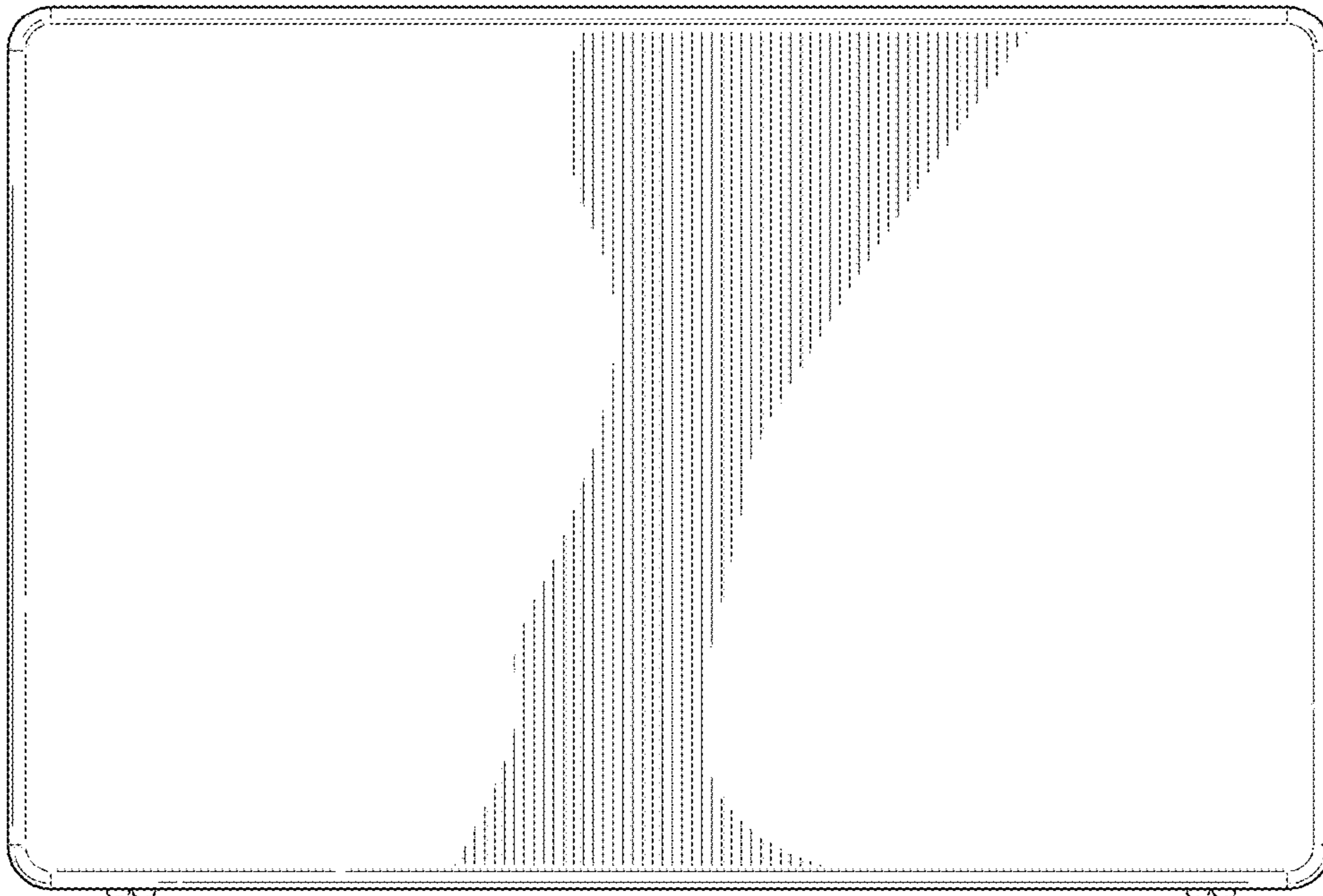


FIG. 6

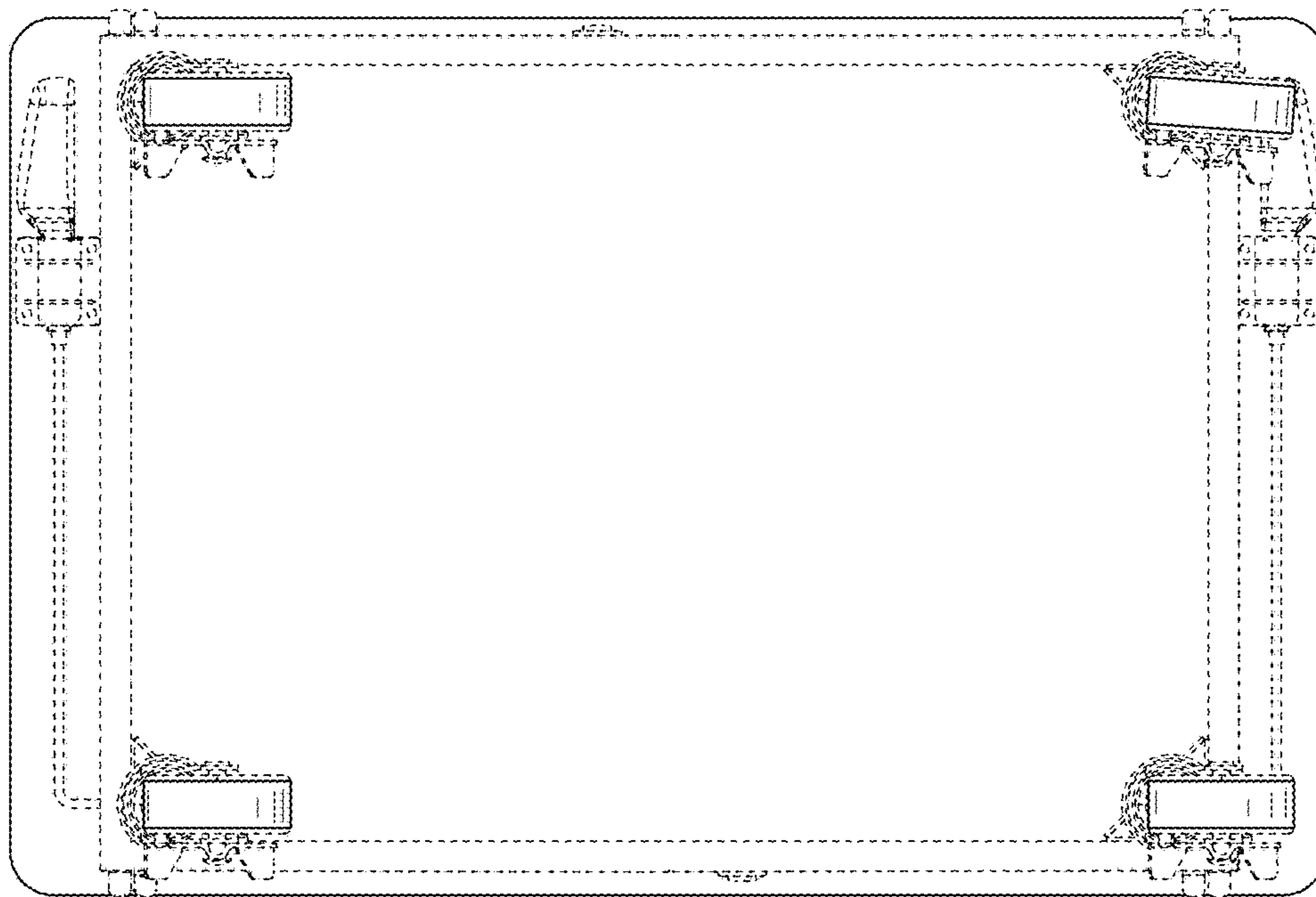


FIG. 7

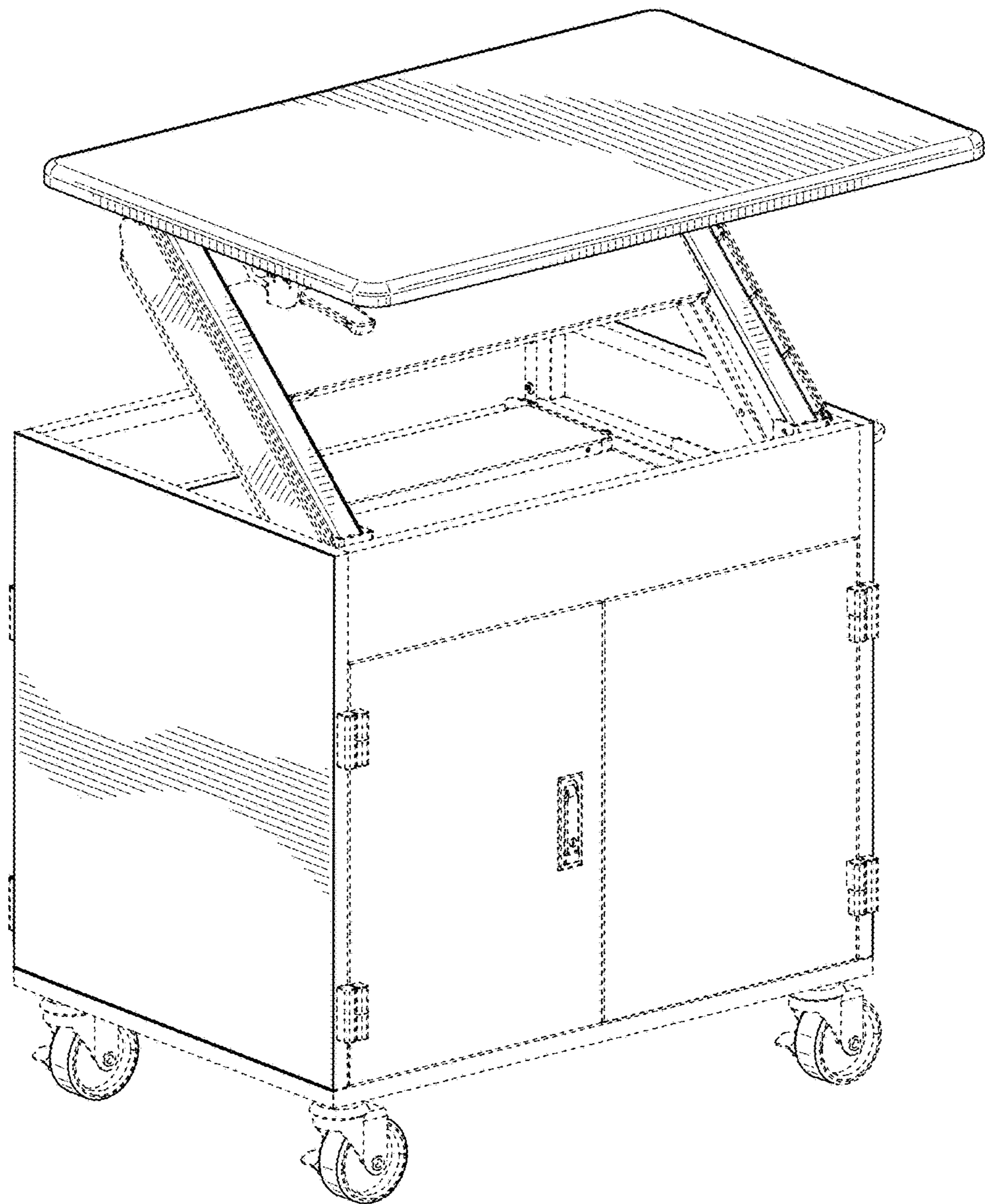


FIG. 8

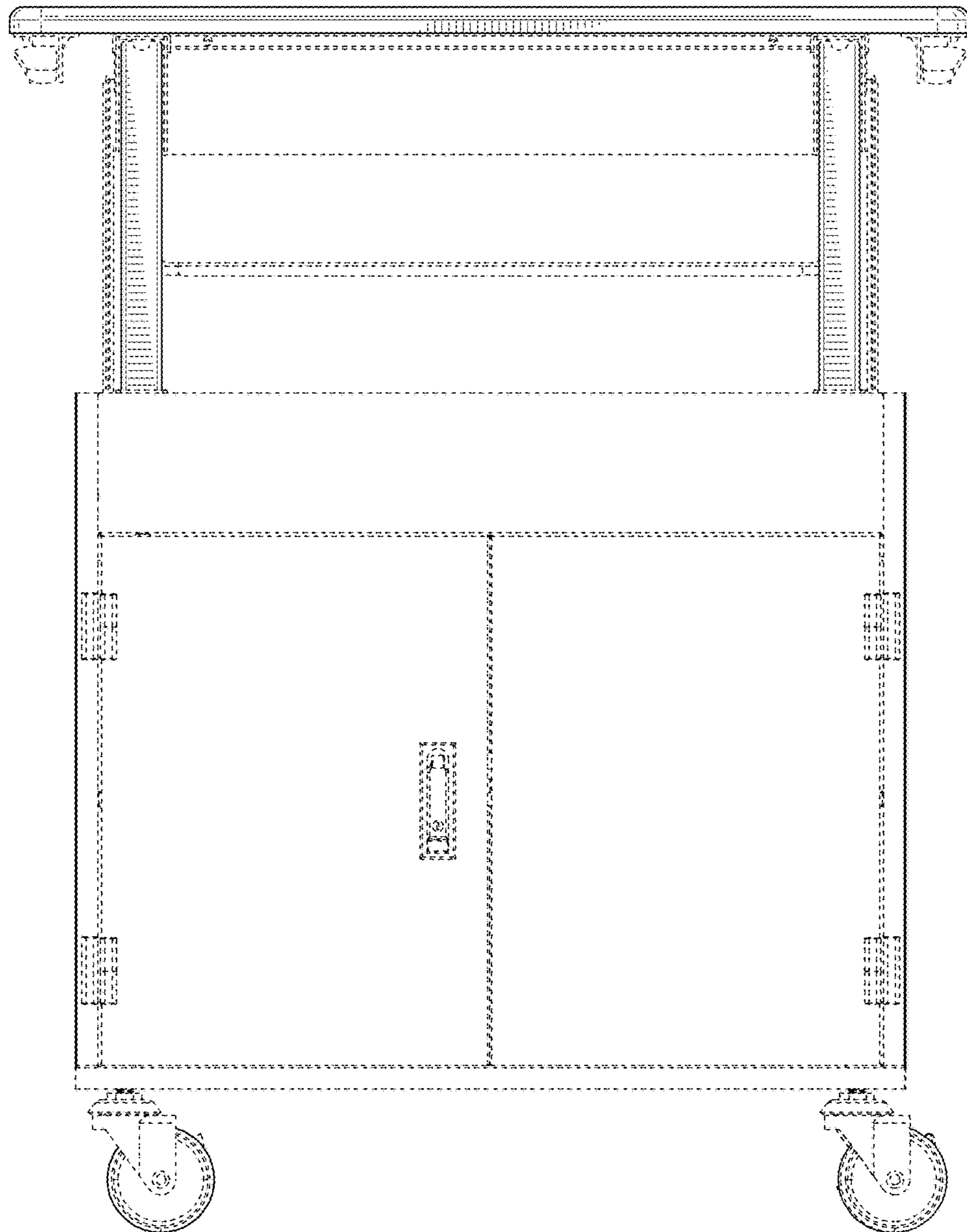


FIG. 9

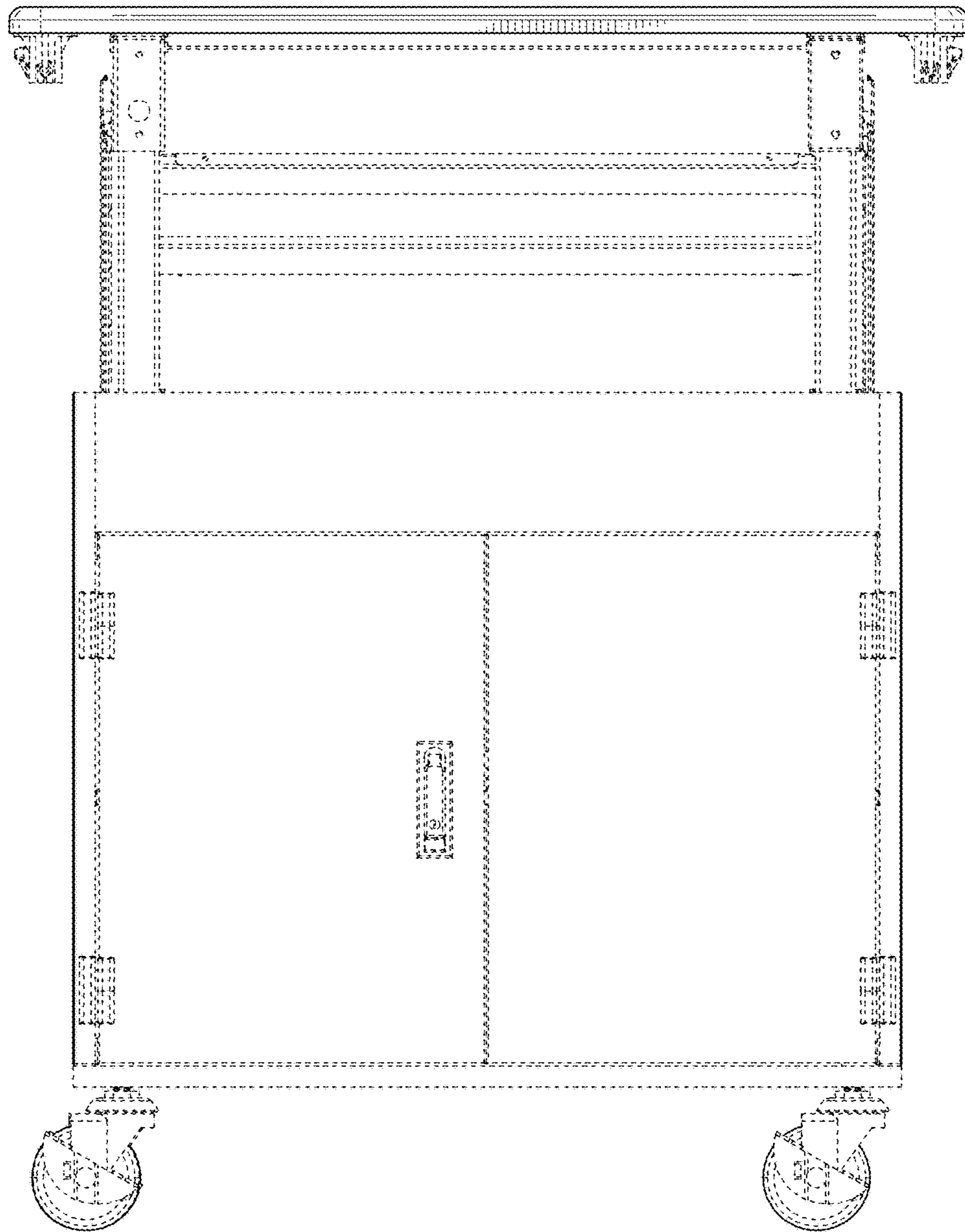


FIG. 10

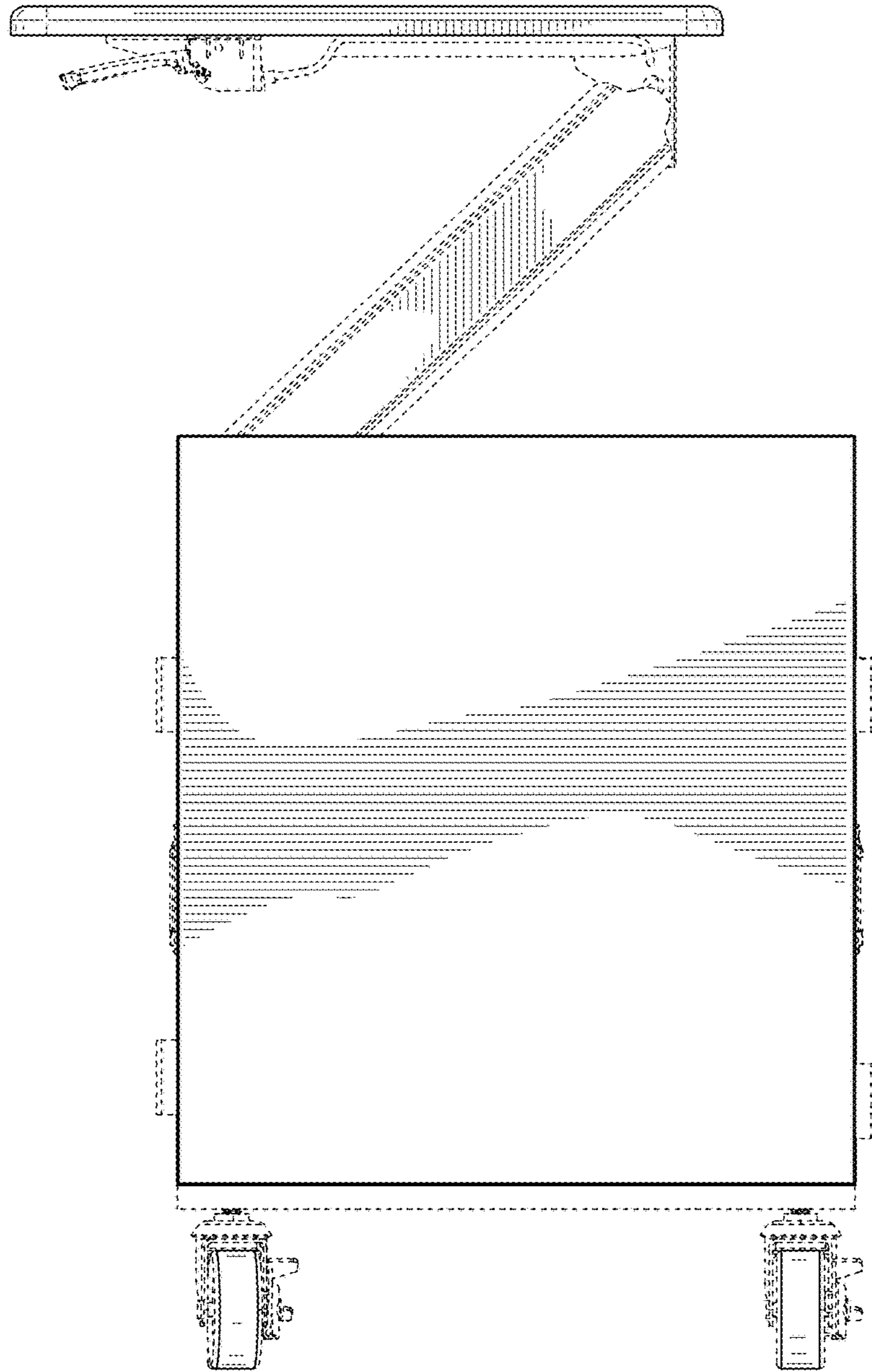


FIG. 11

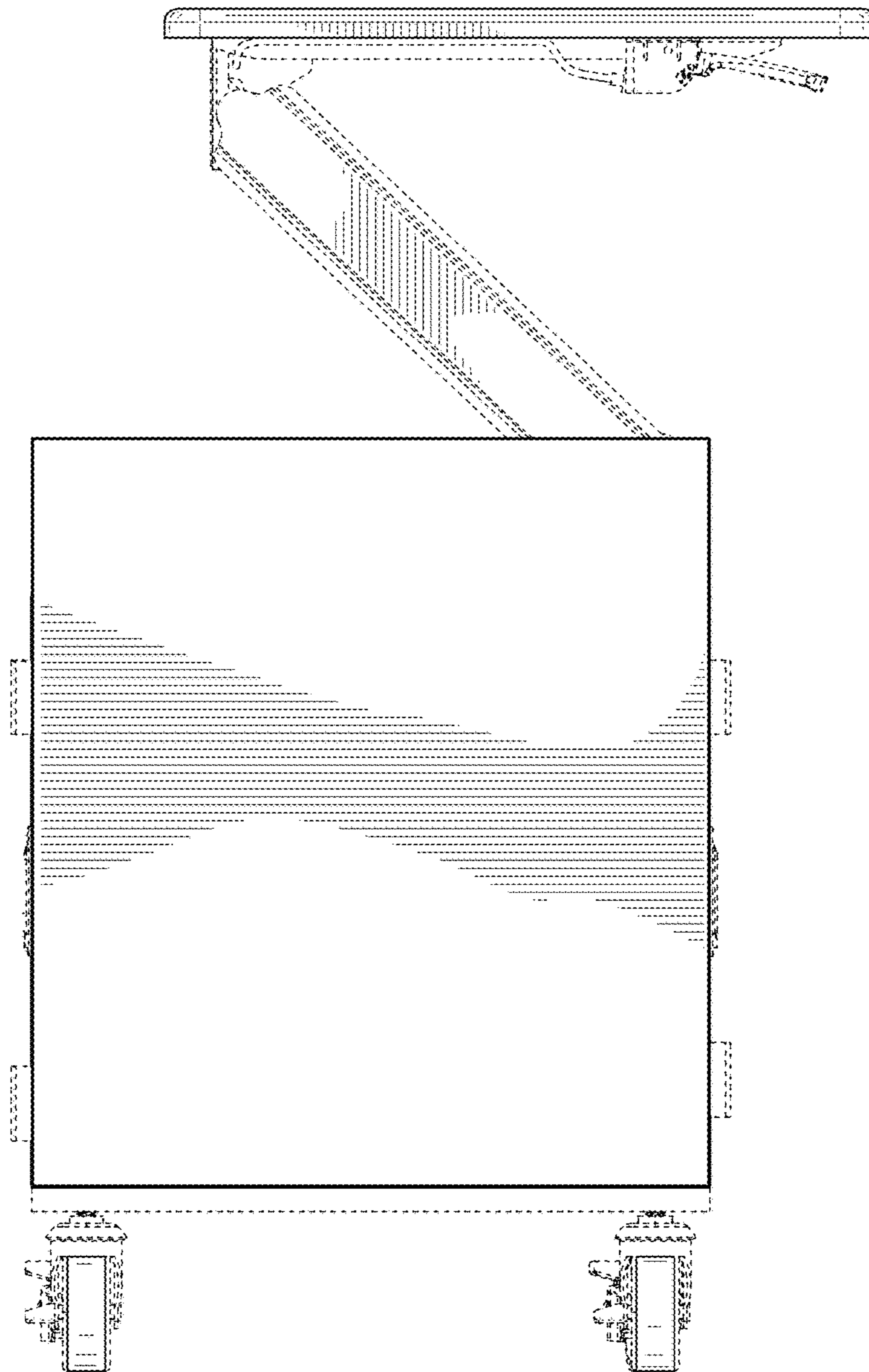


FIG. 12

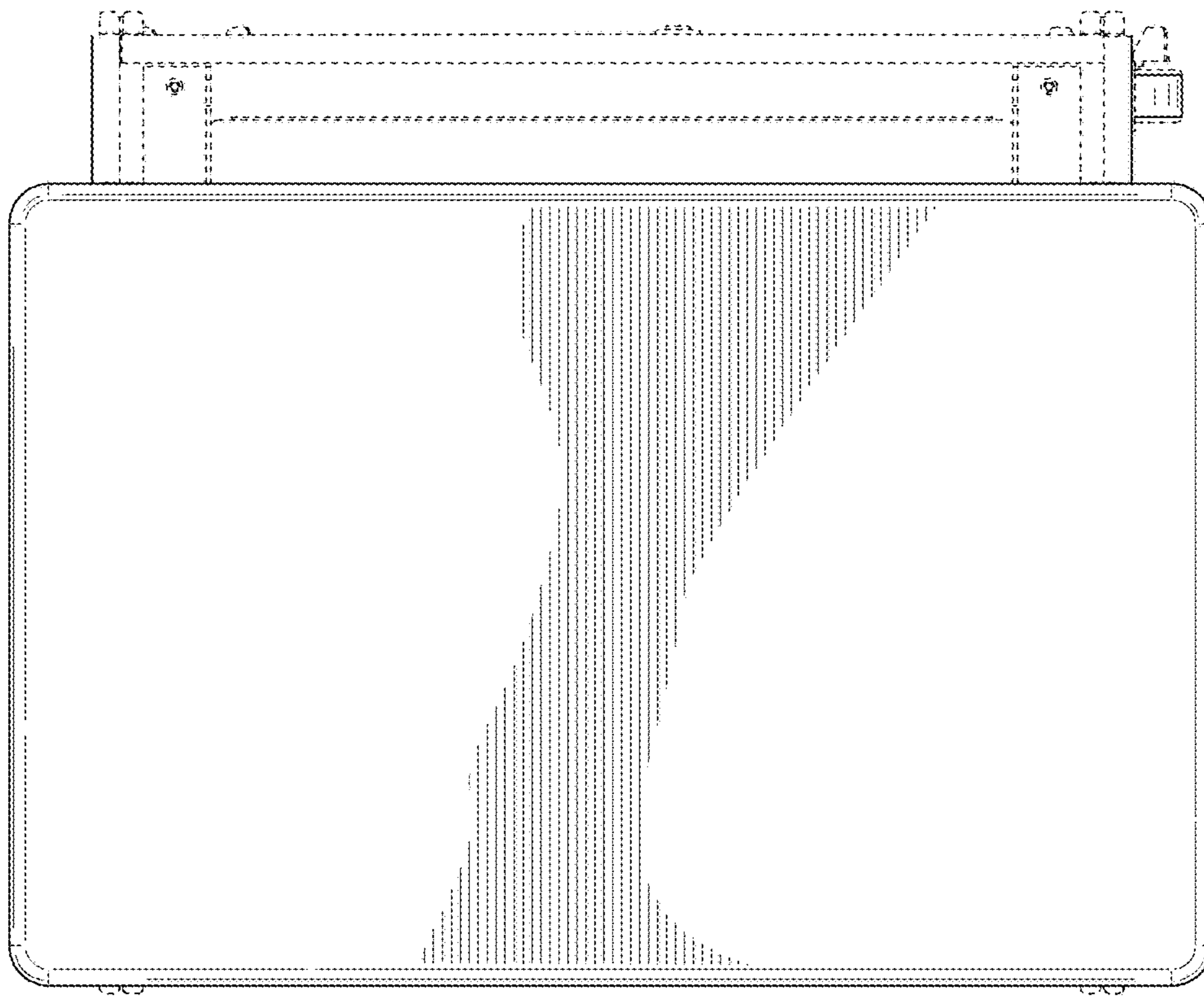


FIG. 13

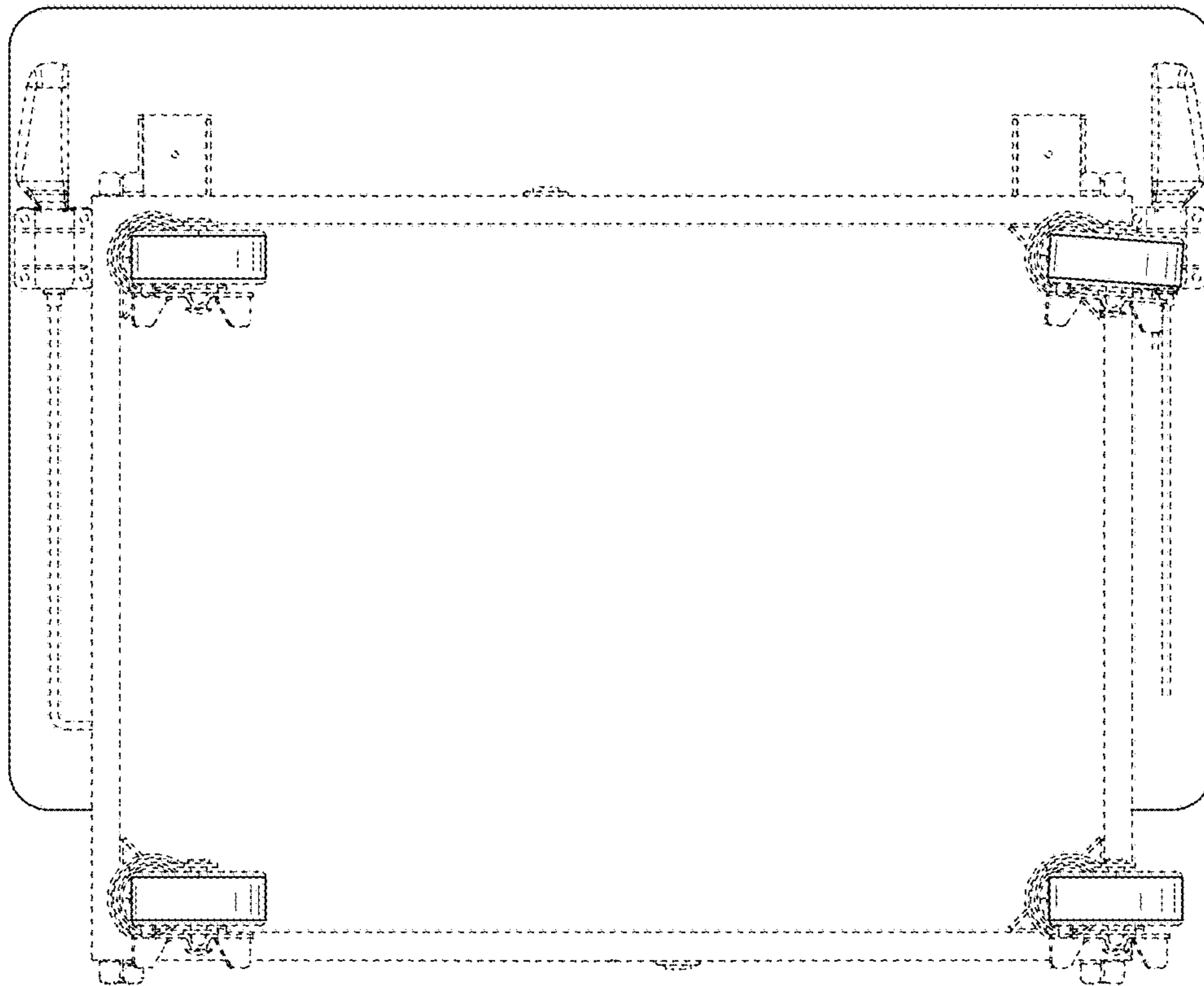


FIG. 14