



US00D850171S

(12) **United States Design Patent**  
**Rodriguez**

(10) **Patent No.:** **US D850,171 S**  
(45) **Date of Patent:** **\*\* Jun. 4, 2019**

- (54) **DIE MAINTENANCE TABLE**
- (71) Applicant: **Alternative Engineering, Inc.**,  
Belmont, MI (US)
- (72) Inventor: **D. Robert Rodriguez**, Ada, MI (US)
- (73) Assignee: **Alternative Engineering, Inc.**,  
Belmont, MI (US)
- (\*\*) Term: **15 Years**

- D458,947 S \* 6/2002 Svetlik ..... D15/133
- D462,495 S \* 9/2002 Burford ..... D34/19
- D462,819 S \* 9/2002 Burford ..... D34/14
- D466,913 S \* 12/2002 Ceroll ..... D15/133
- D478,917 S \* 8/2003 Ceroll ..... D15/133
- D479,064 S \* 9/2003 Goldberg ..... D6/684
- D479,538 S \* 9/2003 Welsh ..... D15/133
- D486,013 S \* 2/2004 Cesaroni ..... D6/656.17
- D492,707 S \* 7/2004 Ceroll ..... D15/133
- D498,773 S \* 11/2004 Welsh ..... D15/133
- D503,570 S \* 4/2005 Anderson ..... D6/349
- D507,286 S \* 7/2005 Ceroll ..... D15/133
- D513,272 S \* 12/2005 Phillips ..... D15/133

(Continued)

(21) Appl. No.: **29/560,287**

(22) Filed: **Apr. 5, 2016**

(51) **LOC (11) Cl.** ..... **06-03**

(52) **U.S. Cl.**  
USPC ..... **D6/684**; D15/140; D15/141

(58) **Field of Classification Search**  
USPC ... D8/20, 23, 25, 41, 47, 54, 55, 58, 61, 64,  
D8/66, 70, 86, 98, 99, 352, 366, 376,  
D8/387, 397; D7/693, 394, 372, 376,  
D7/378, 381, 383, 384, 385; D6/684,  
D6/698; D15/19, 21, 29, 121, 131, 132,  
D15/133, 138, 139, 140, 141  
CPC .... B25D 3/00; B25D 17/02; B25D 2250/111;  
B25D 2211/003; B25D 16/00; E21B  
10/52; E21B 10/16; E21B 10/567; C03B  
23/047; C03B 23/0496

See application file for complete search history.

(56) **References Cited**

**U.S. PATENT DOCUMENTS**

- D252,197 S \* 6/1979 Gale ..... D34/21
- D258,788 S \* 4/1981 Verdesca ..... D6/655
- D337,898 S \* 8/1993 Chen ..... D6/684
- D372,602 S \* 8/1996 Richardson ..... D6/691.8
- D394,071 S \* 5/1998 Ceroll ..... D15/133
- D445,119 S \* 7/2001 Ceroll ..... D15/133
- D447,497 S \* 9/2001 Welsh ..... D15/141
- D458,281 S \* 6/2002 Ceroll ..... D15/133

**OTHER PUBLICATIONS**

[http://alternative-engineering.com/aei\\_projects/die-maintenance-table/](http://alternative-engineering.com/aei_projects/die-maintenance-table/)—Earliest publication date of Feb. 27, 2017.\*

(Continued)

*Primary Examiner* — Khawaja Anwar  
*Assistant Examiner* — Mojtaba Tehrani  
(74) *Attorney, Agent, or Firm* — Frank M. Scutch, III

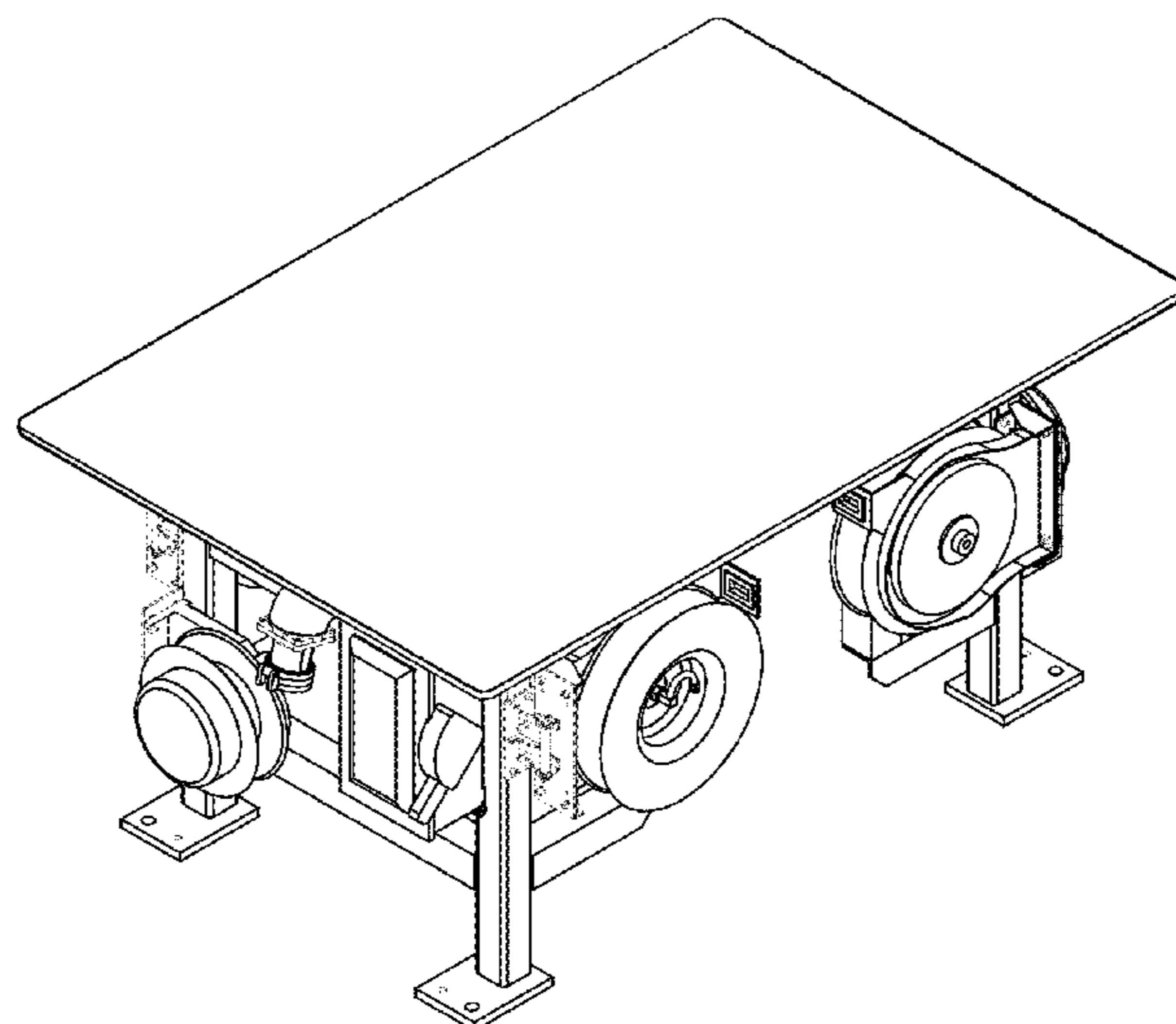
(57) **CLAIM**

The ornamental design for a die maintenance table, as shown and described.

**DESCRIPTION**

FIG. 1 is a front perspective view of a die maintenance table; FIG. 2 is a left end view thereof; FIG. 3 is a front view thereof; FIG. 4 is a right end view thereof; FIG. 5 is a rear view thereof; FIG. 6 is top perspective view thereof; and, FIG. 7 is a bottom perspective thereof. The broken lines in the figure drawings depict unclaimed portions of the die maintenance table only and form no part of the claimed design.

**1 Claim, 7 Drawing Sheets**



(56)

**References Cited**

U.S. PATENT DOCUMENTS

D514,604	S	*	2/2006	Welsh	.....	D15/133
D527,032	S	*	8/2006	Welsh	.....	D15/133
D527,199	S	*	8/2006	Shaw	.....	D6/686
D545,330	S	*	6/2007	DiPasquale	.....	D15/133
D554,672	S	*	11/2007	Welsh	.....	D15/133
D715,337	S	*	10/2014	Scherl	.....	D15/133
D756,693	S	*	5/2016	Shah	.....	D6/684
D774,334	S	*	12/2016	Lawrence	.....	D6/698
D774,335	S	*	12/2016	Lawrence	.....	D6/698
D801,735	S	*	11/2017	Ursell	.....	D6/684
2003/0039557	A1	*	2/2003	Burford	.....	F04B 35/06 417/234

OTHER PUBLICATIONS

[http://alternative-engineering.com/Downloads/AEI Factory Accessories Portfolio.pdf](http://alternative-engineering.com/Downloads/AEI_Factory_Accessories_Portfolio.pdf)—Retrieved Apr. 3, 2018.\*

\* cited by examiner

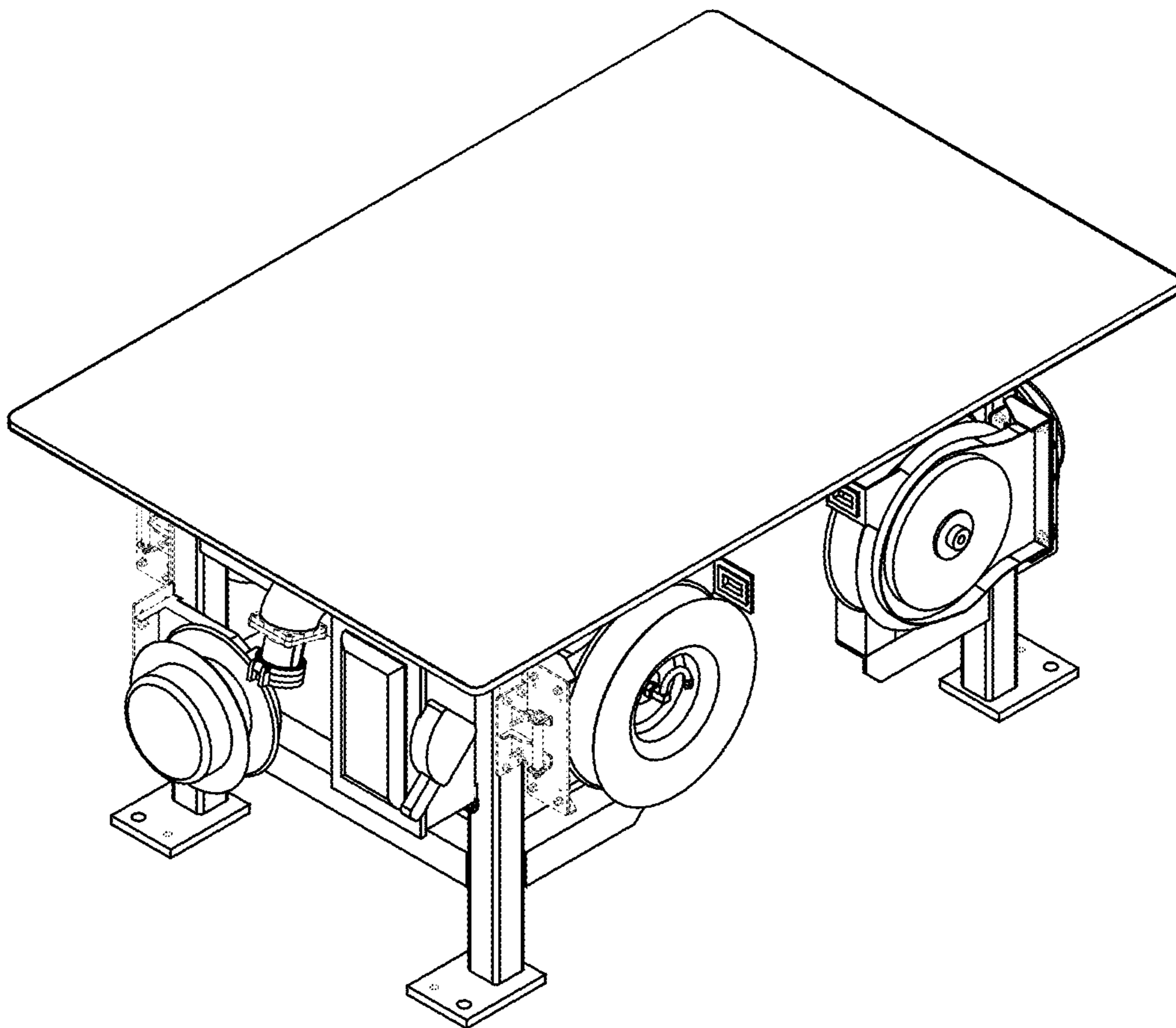


FIG. 1

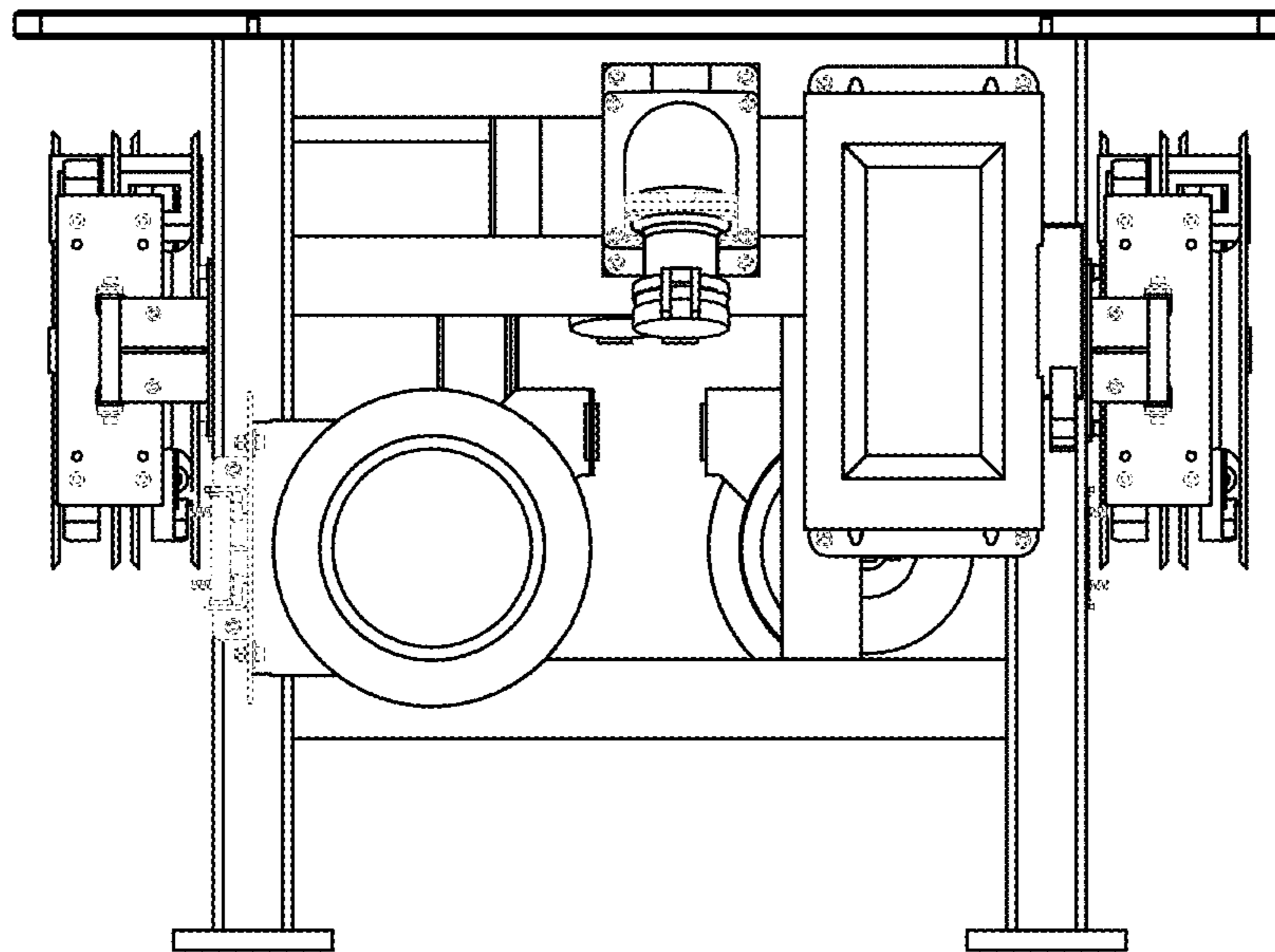


FIG. 2

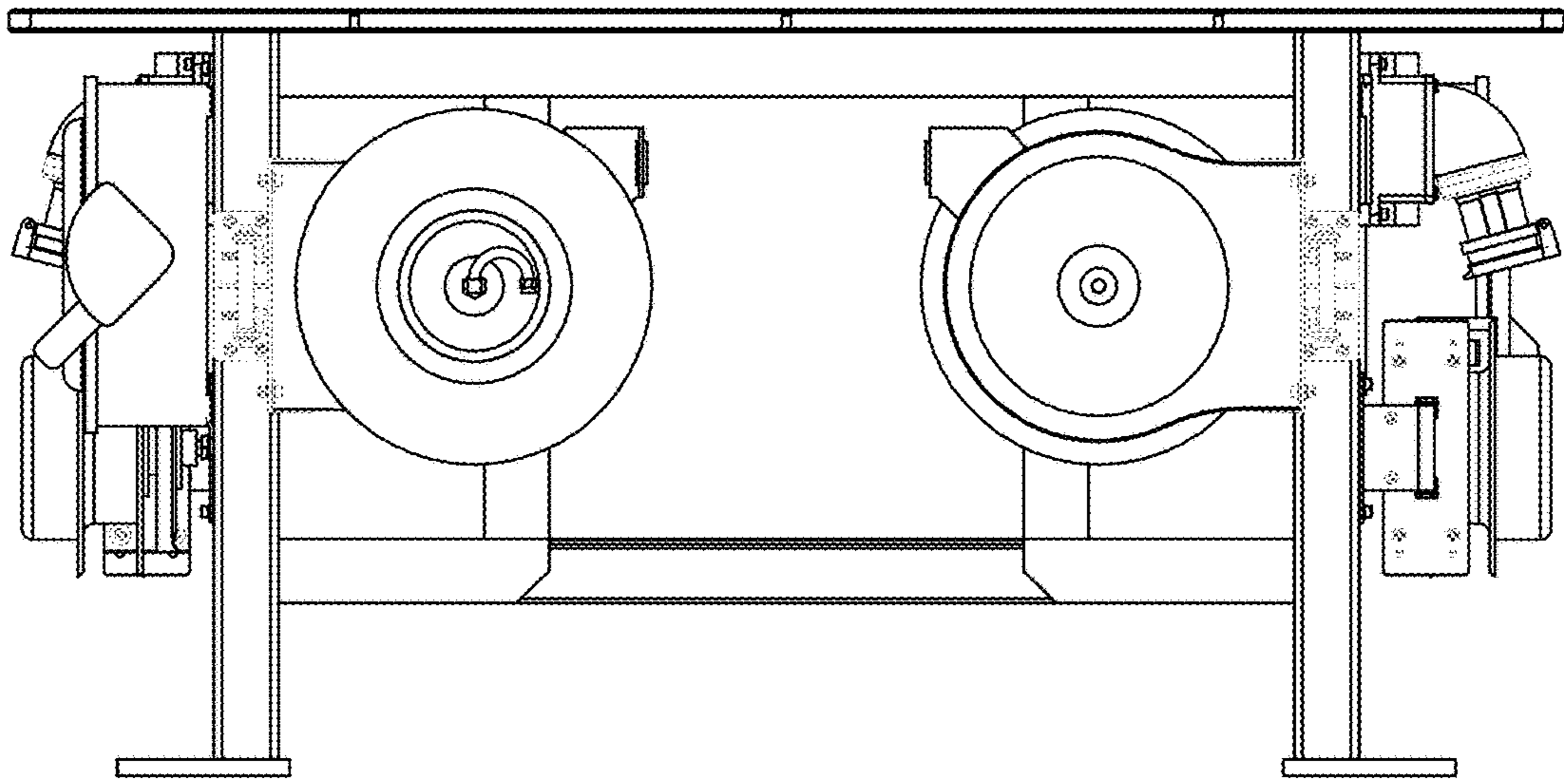


FIG. 3

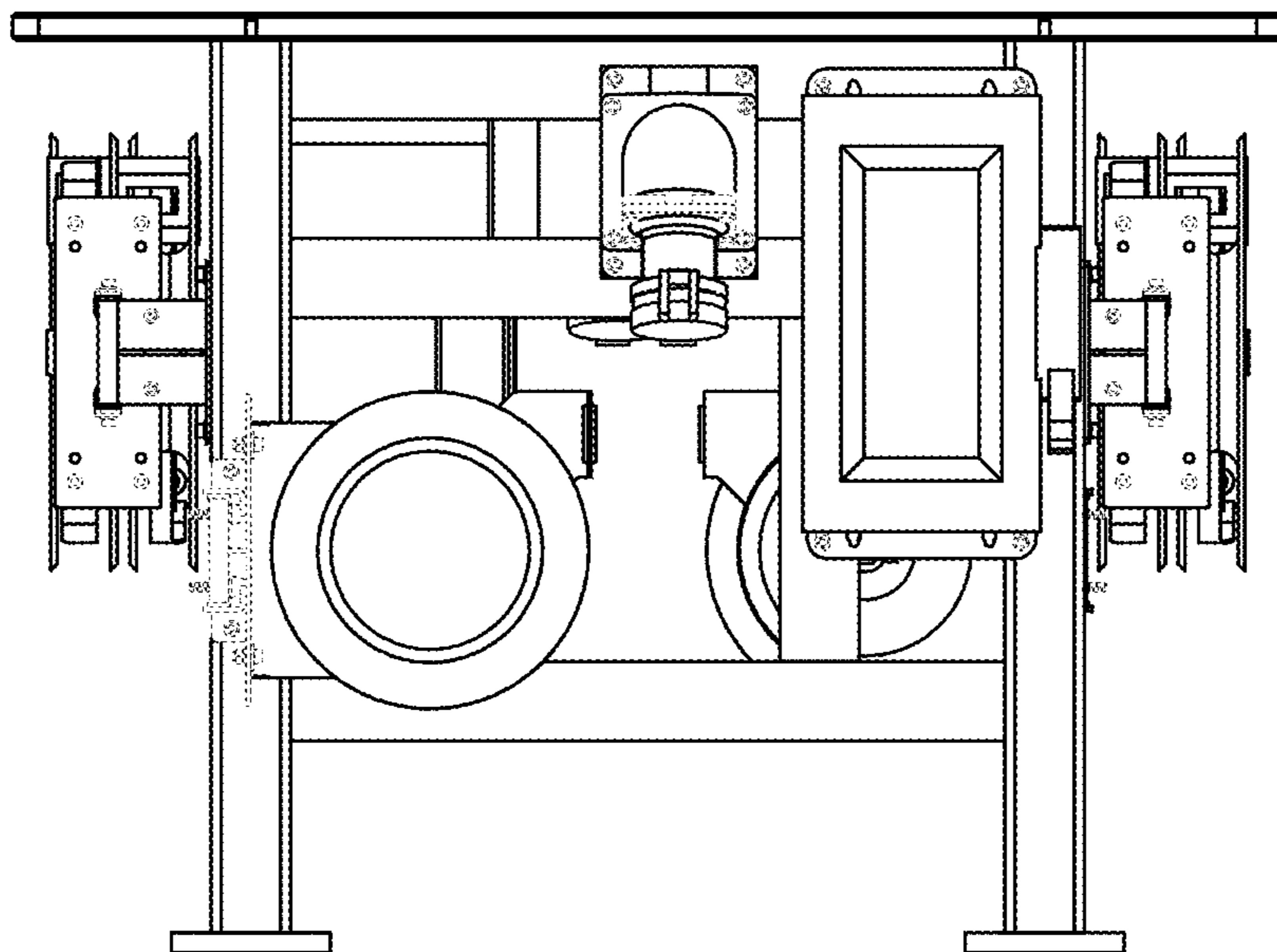


FIG. 4

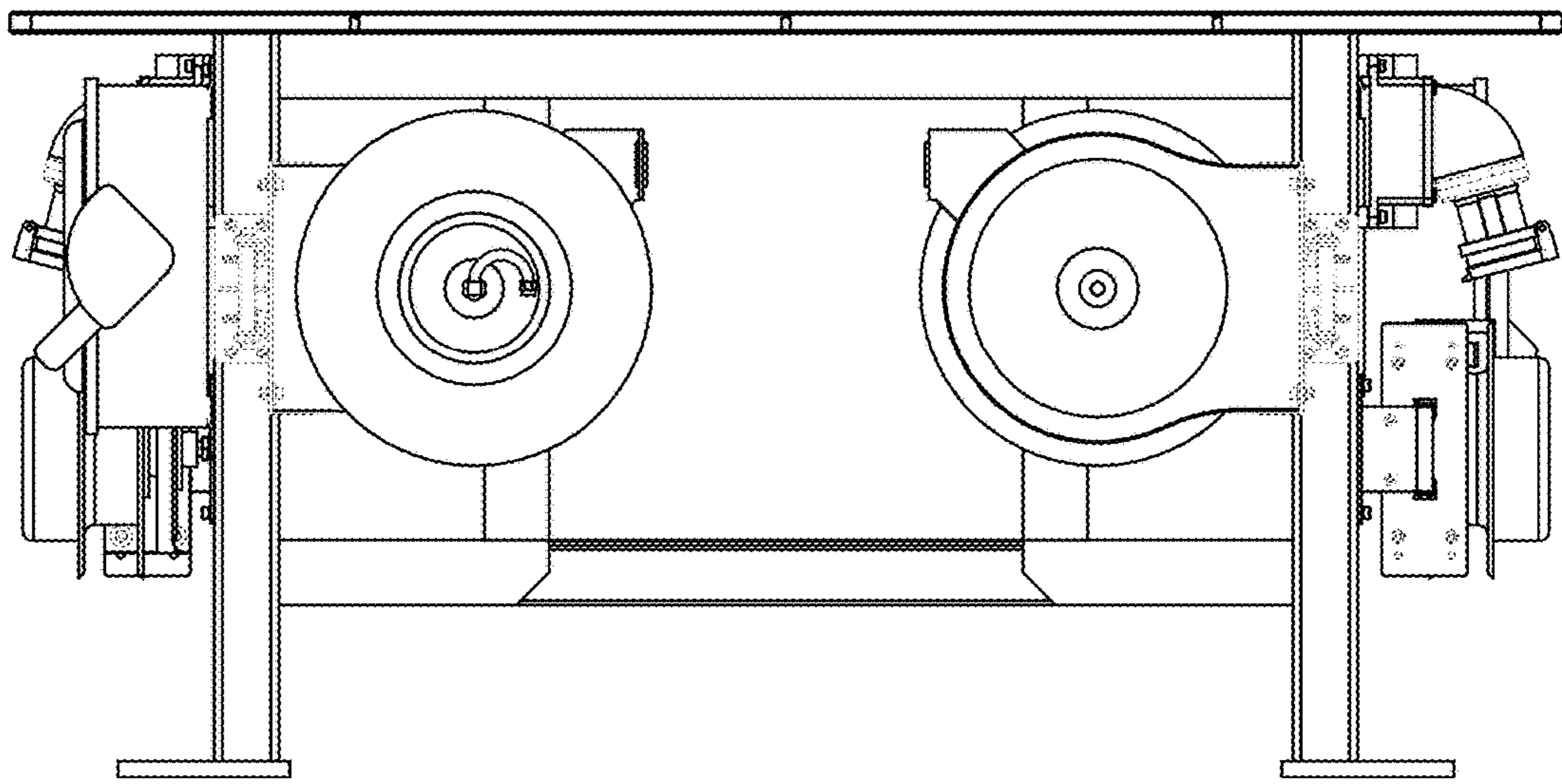


FIG. 5

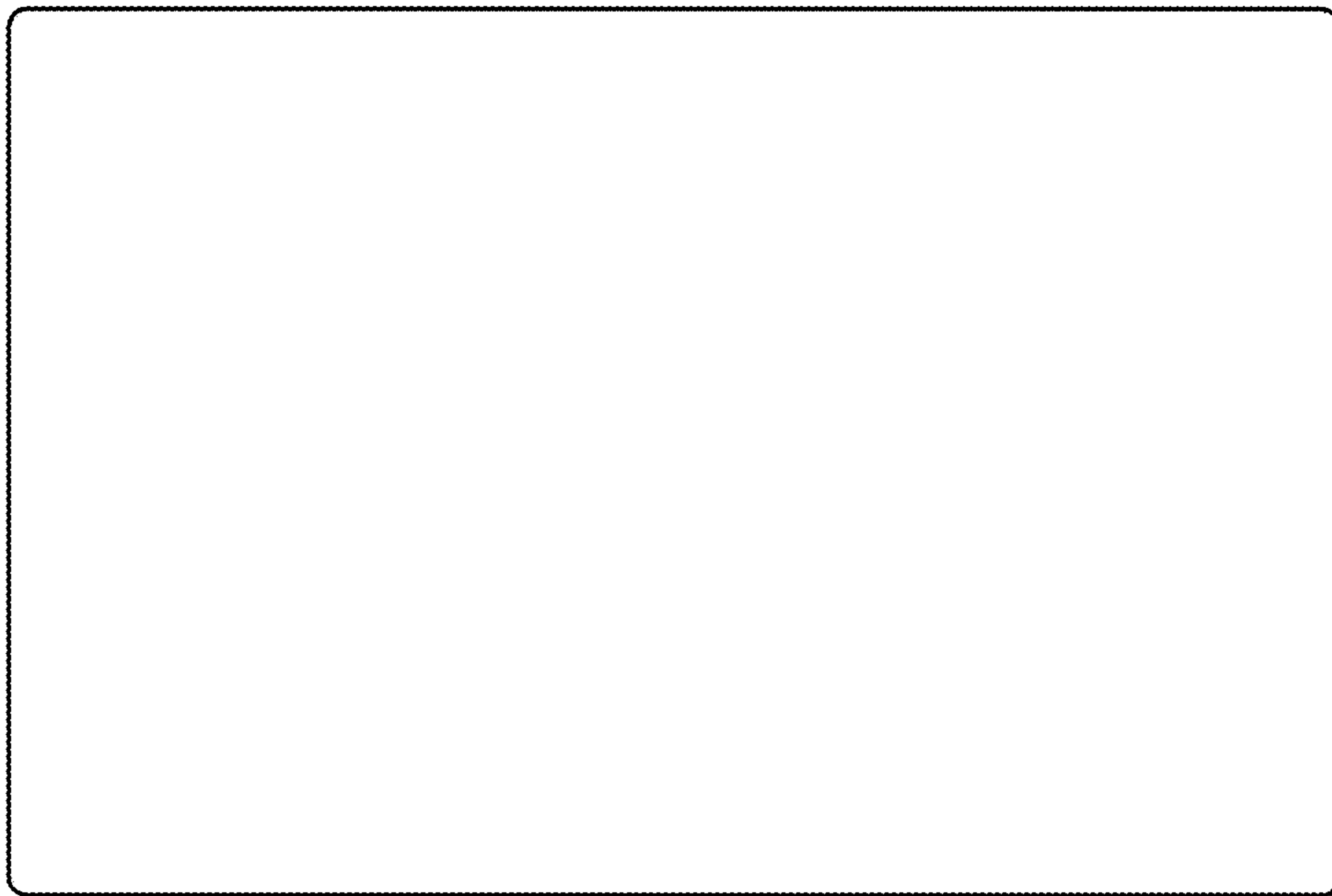


FIG. 6



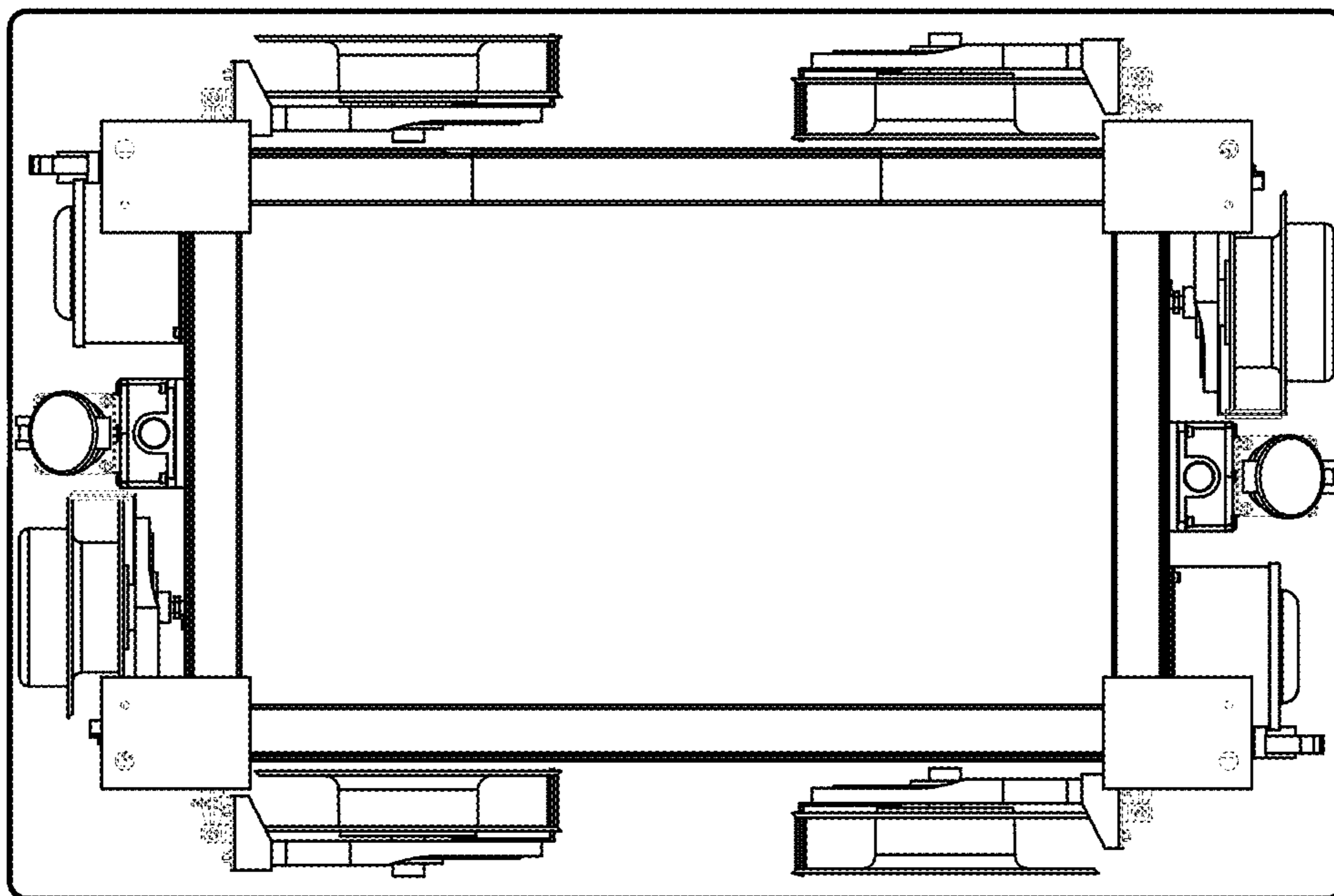


FIG. 7