



US00D850170S

(12) **United States Design Patent** (10) **Patent No.:** **US D850,170 S**
Smith (45) **Date of Patent:** **** Jun. 4, 2019**

(54) **MOUNT FOR GAME CONTROLLERS**
(71) Applicant: **Michael Smith**, Miami, FL (US)
(72) Inventor: **Michael Smith**, Miami, FL (US)

(**) Term: **15 Years**

(21) Appl. No.: **29/635,069**

(22) Filed: **Jan. 26, 2018**

(51) **LOC (11) Cl.** **20-02**

(52) **U.S. Cl.**
USPC **D6/682**

(58) **Field of Classification Search**
USPC D8/363; D6/407, 678.4, 682, 682.2, 552,
D6/572
CPC .. A63F 13/98; A63F 2300/1043; A63F 13/95;
A63F 13/08
See application file for complete search history.

(56) **References Cited**

U.S. PATENT DOCUMENTS

| | | | | |
|-----------|-----|---------|----------|---------|
| 4,573,682 | A | 3/1986 | Mayon | |
| 6,044,772 | A | 4/2000 | Gaudette | |
| 6,663,058 | B1 | 12/2003 | Peterson | |
| 6,789,771 | B1 | 9/2004 | Shick | |
| D507,477 | S * | 7/2005 | Pfister | D14/451 |
| D522,843 | S * | 6/2006 | Richter | D8/363 |
| D537,324 | S * | 2/2007 | Worrall | D8/363 |
| D537,706 | S * | 3/2007 | Ly Hau | D8/363 |
| D558,564 | S * | 1/2008 | Ciungan | D14/452 |
| D566,531 | S * | 4/2008 | Massoumi | D14/452 |
| D611,802 | S * | 3/2010 | Li | D8/363 |
| 7,857,311 | B2 | 12/2010 | Minke | |
| 7,942,747 | B2 | 5/2011 | Cole | |

| | | | | |
|--------------|------|---------|----------------|------------|
| RE44,740 | E * | 2/2014 | Ciungan | D14/452 |
| D742,206 | S * | 11/2015 | Bowman | D8/363 |
| D747,179 | S * | 1/2016 | Xiang | D8/363 |
| D748,457 | S * | 2/2016 | Lockridge | D8/363 |
| 9,570,249 | B1 | 2/2017 | Douglas et al. | |
| 2008/0064504 | A1 | 3/2008 | Cole | |
| 2008/0230987 | A1 | 9/2008 | Jackson | |
| 2009/0325717 | A1 | 12/2009 | Lee-Him | |
| 2011/0224003 | A1 | 9/2011 | Ketchersid | |
| 2015/0190720 | A1 | 7/2015 | Buller | |
| 2016/0305600 | A1 * | 10/2016 | Bowman | F16M 11/10 |

* cited by examiner

Primary Examiner — Eliza Z Bennett-Hattan

(74) *Attorney, Agent, or Firm* — Mark Terry

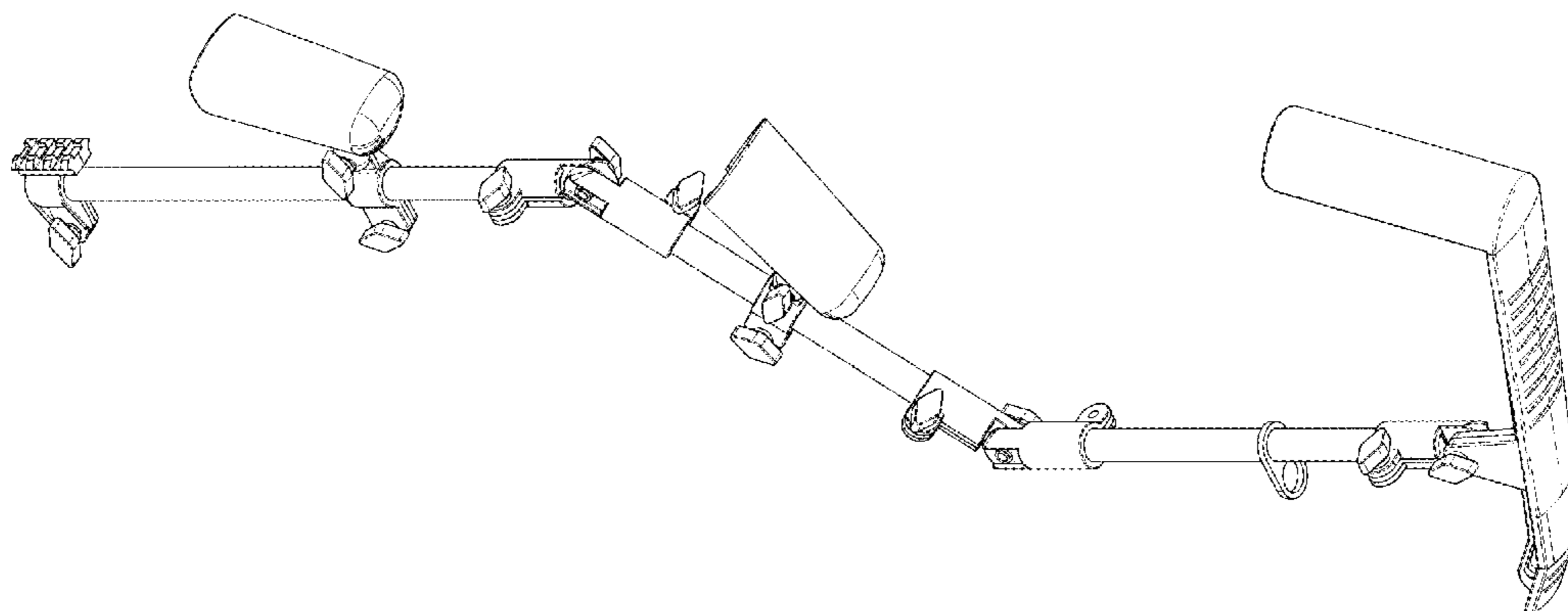
(57) **CLAIM**

The ornamental design for a mount for game controllers, as shown and described.

DESCRIPTION

FIG. 1 is a left side view of a mount for game controllers, showing the new design;
FIG. 2 is a left side perspective view thereof;
FIG. 3 is a right side view thereof;
FIG. 4 is a right side perspective view thereof;
FIG. 5 is a top view thereof;
FIG. 6 is a bottom view thereof.
FIG. 7 is a front view thereof;
FIG. 8 is a front perspective view thereof;
FIG. 9 is a rear view thereof; and,
FIG. 10 is a rear perspective view thereof.
The broken lines in the drawing depict unclaimed portions of the mount for game controllers and form no part of the claimed design.

1 Claim, 7 Drawing Sheets



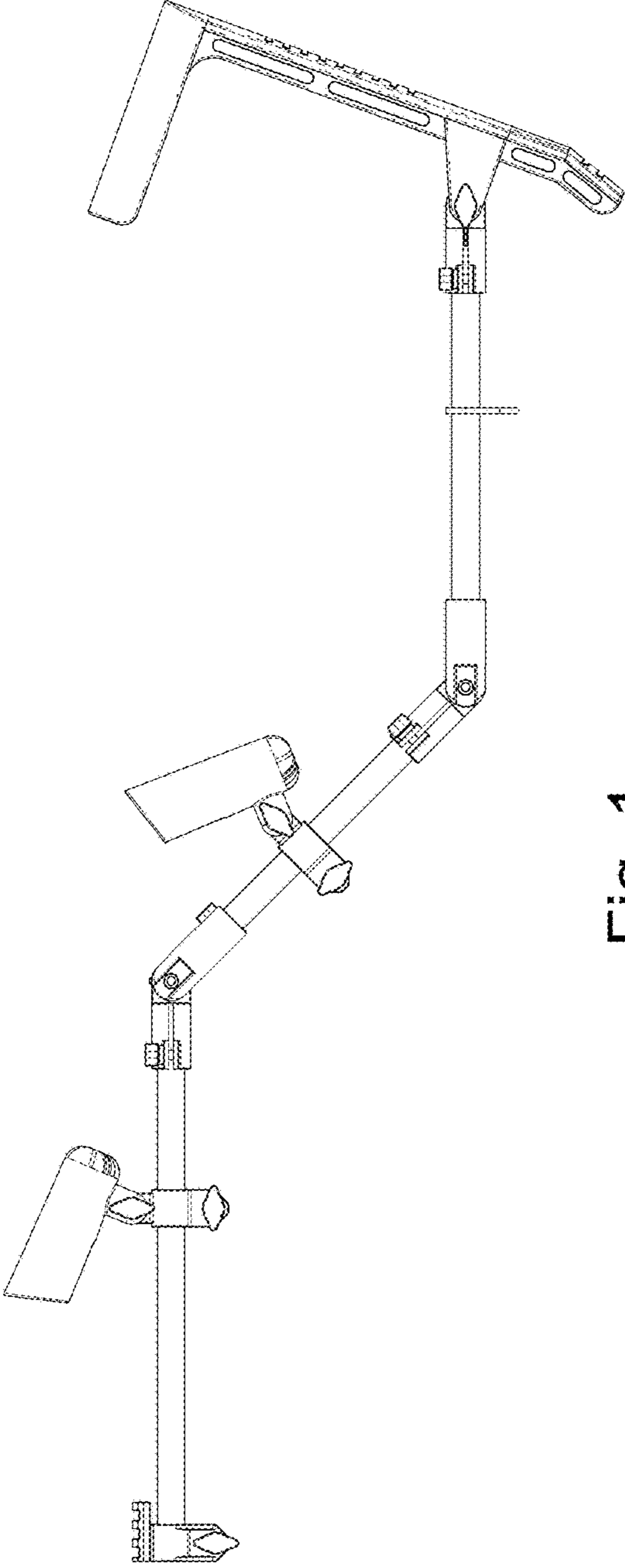


Fig. 1

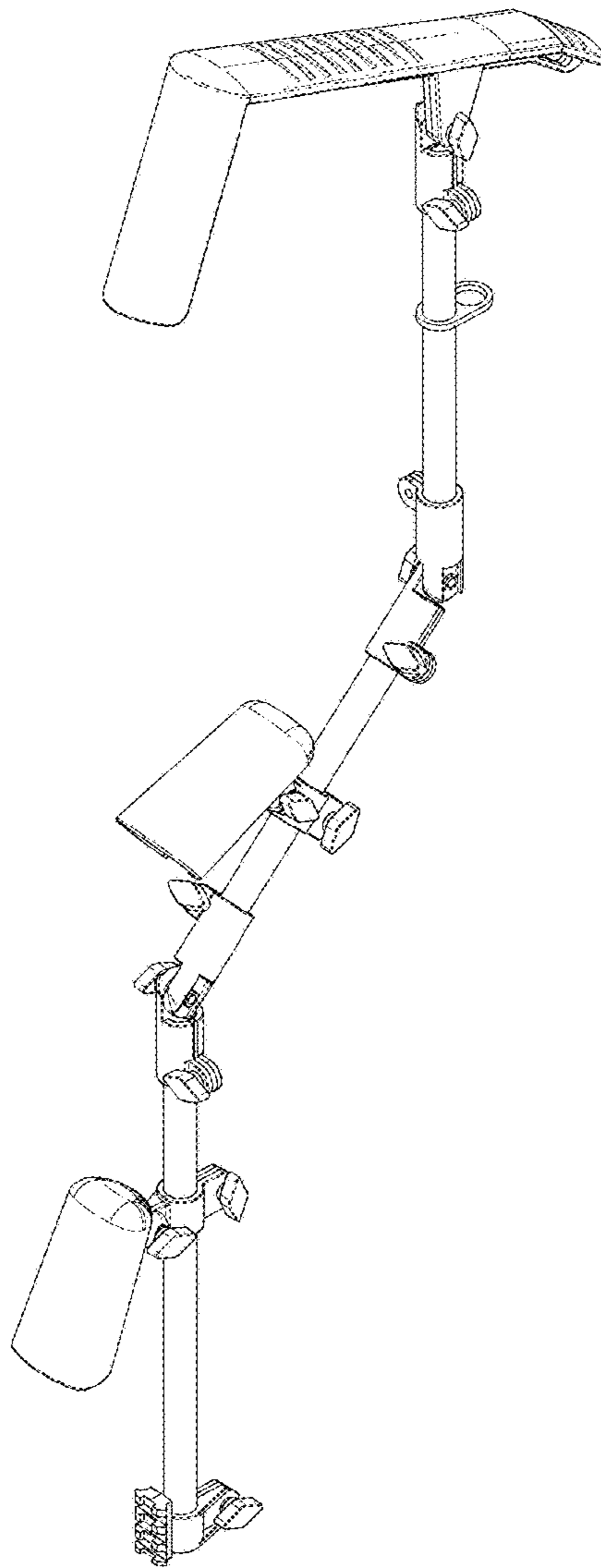


Fig. 2

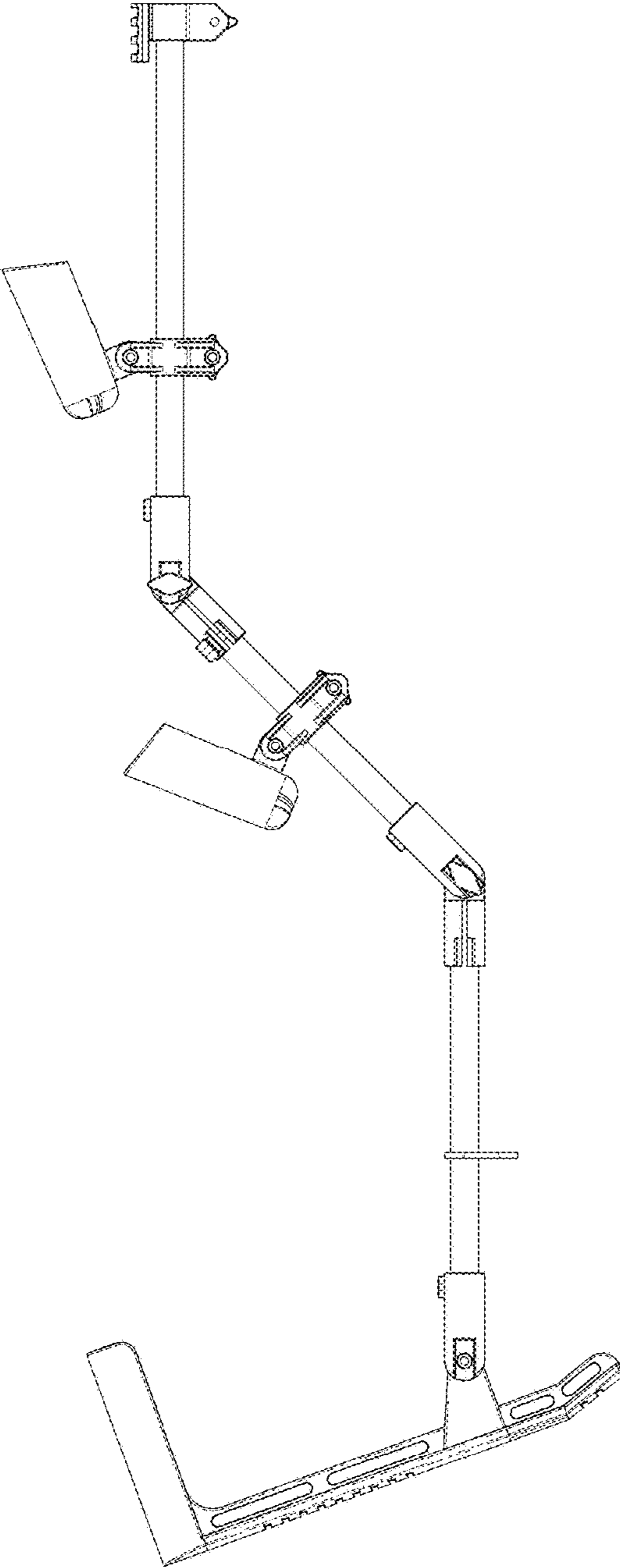


Fig. 3

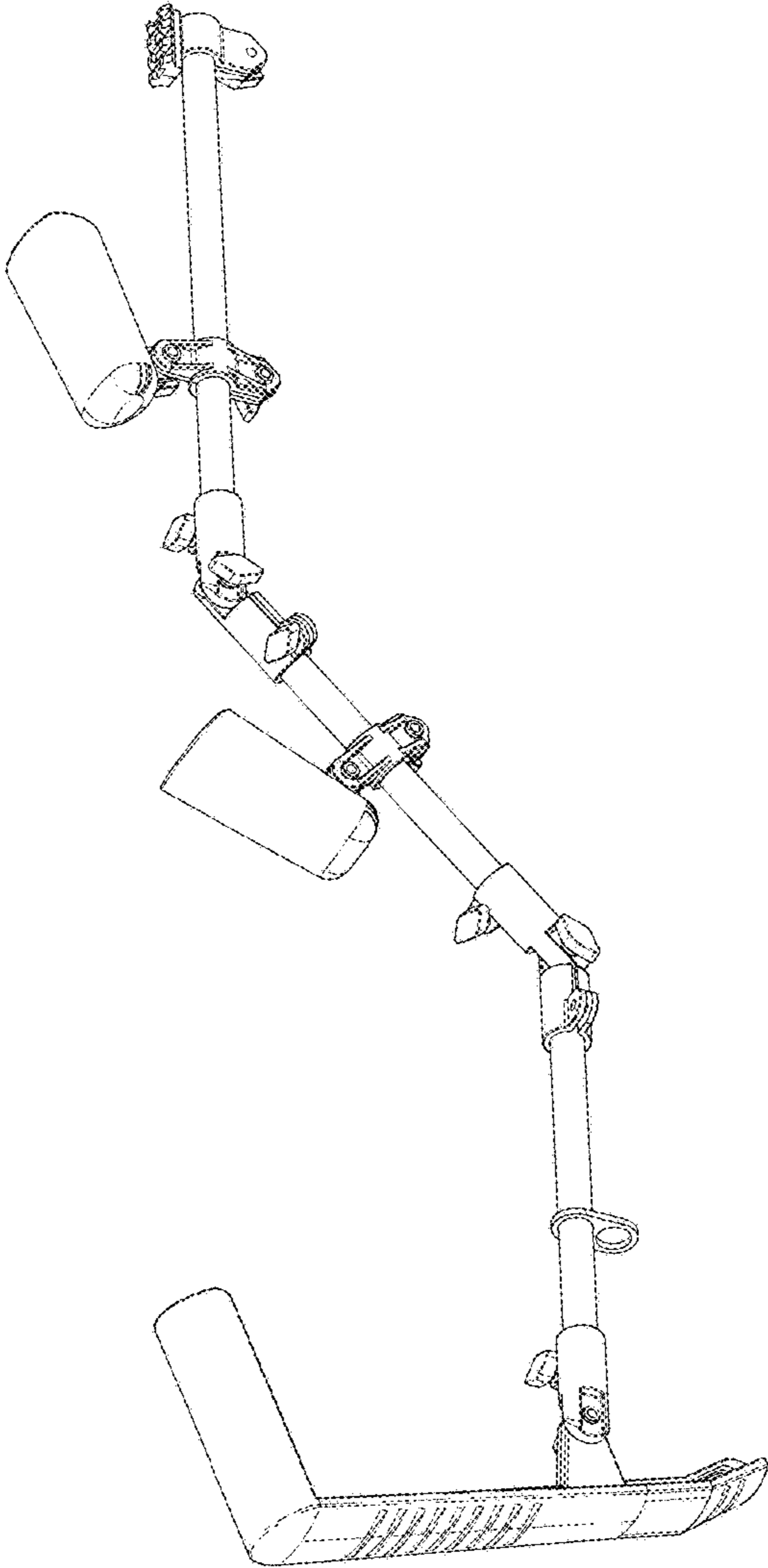


Fig. 4

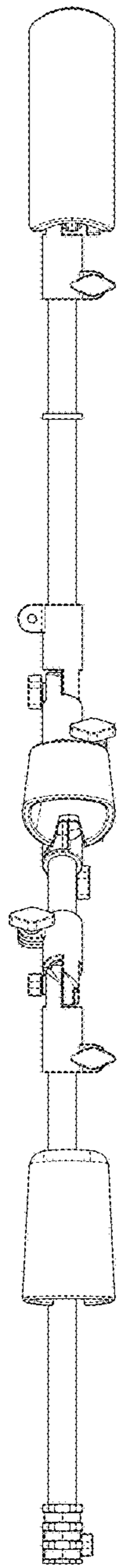


Fig. 5

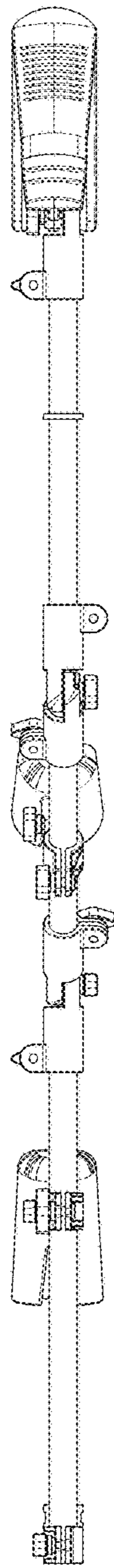


Fig. 6

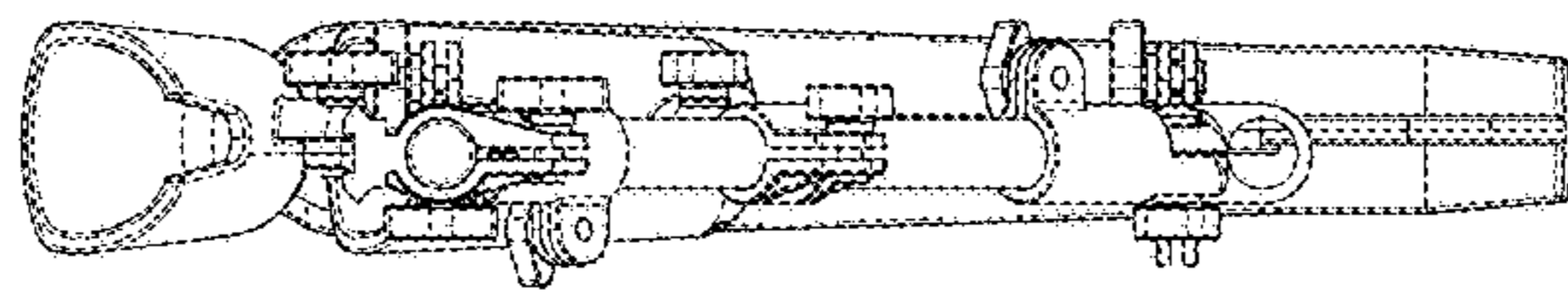


Fig. 7

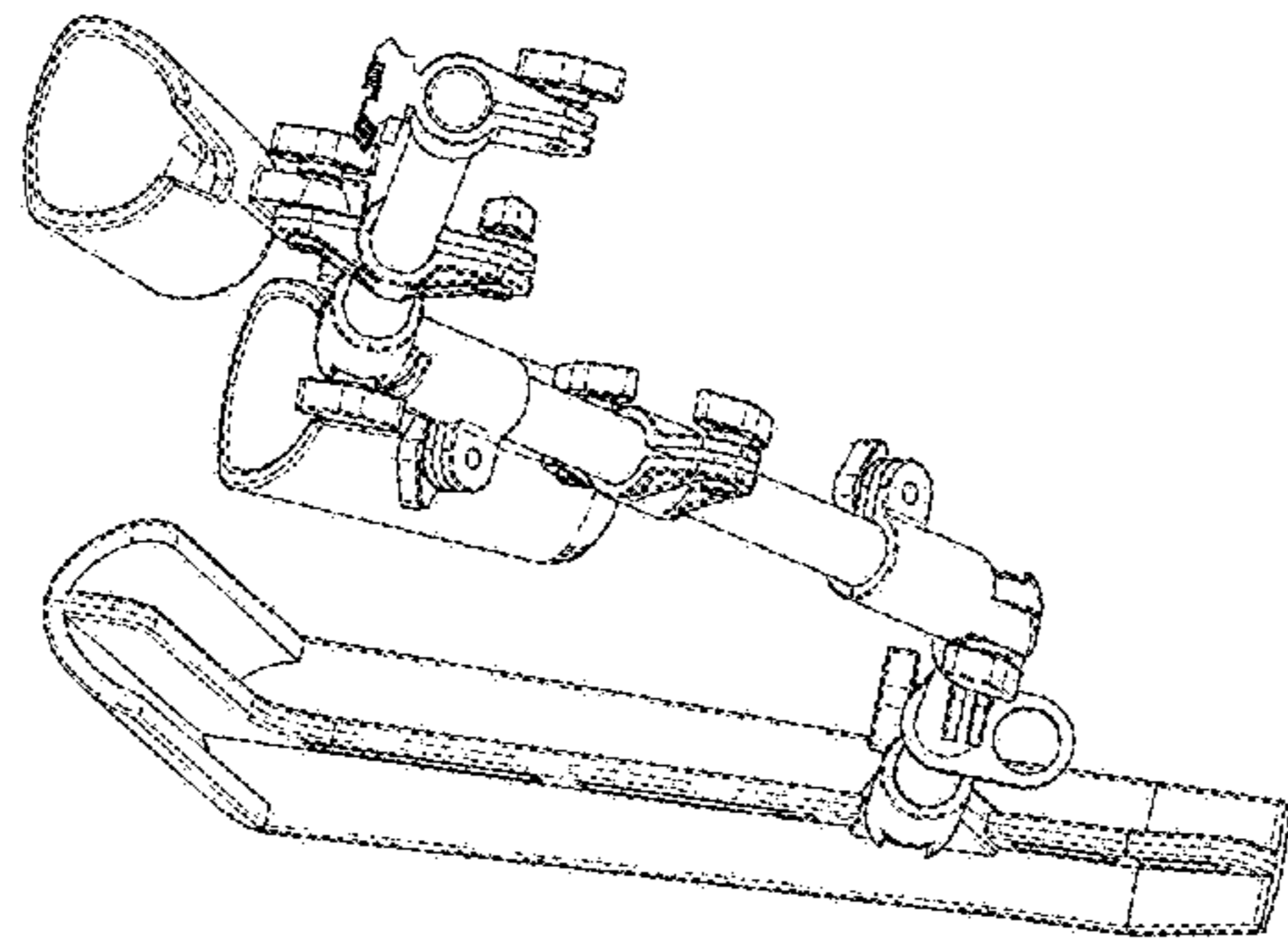


Fig. 8

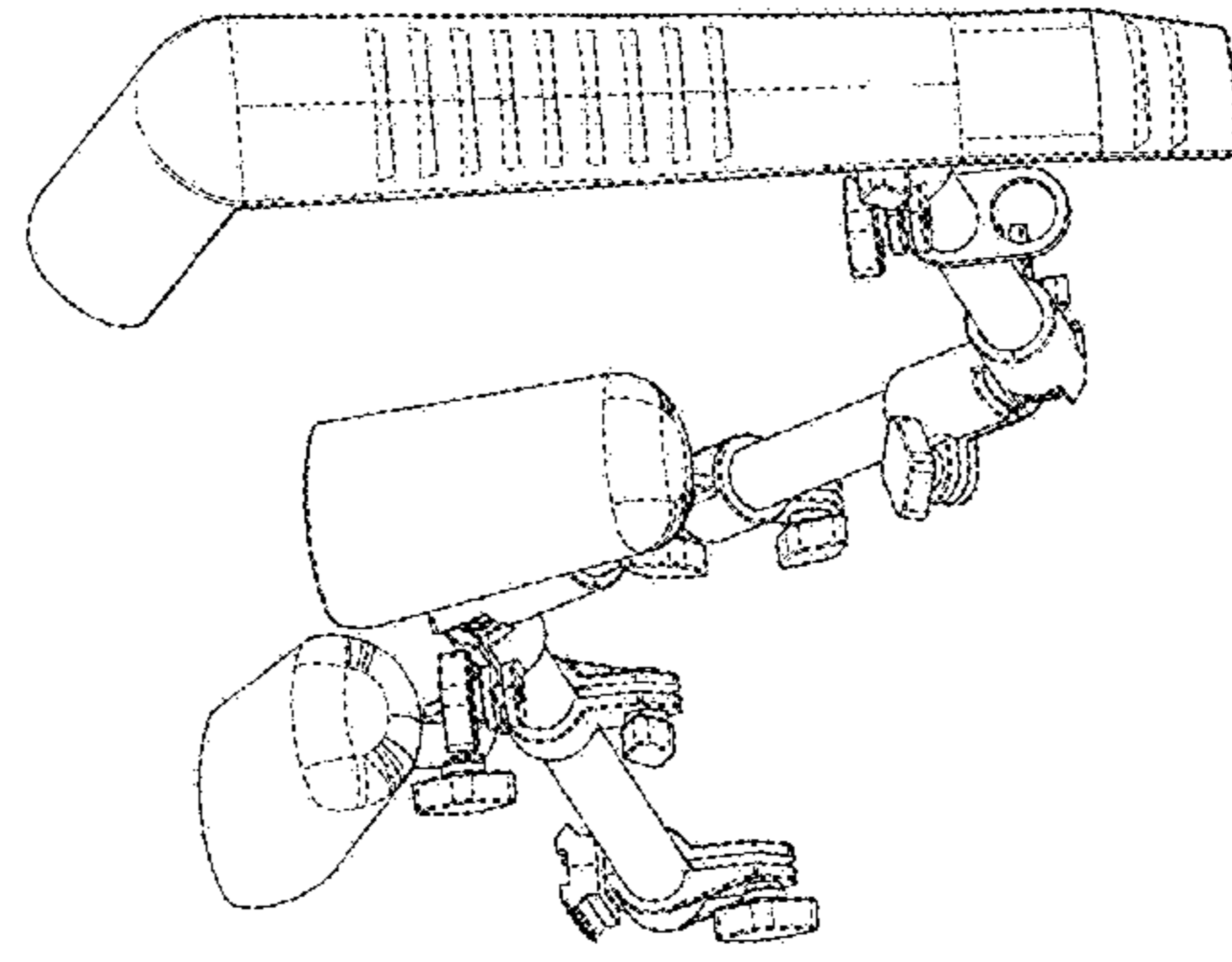


Fig. 10

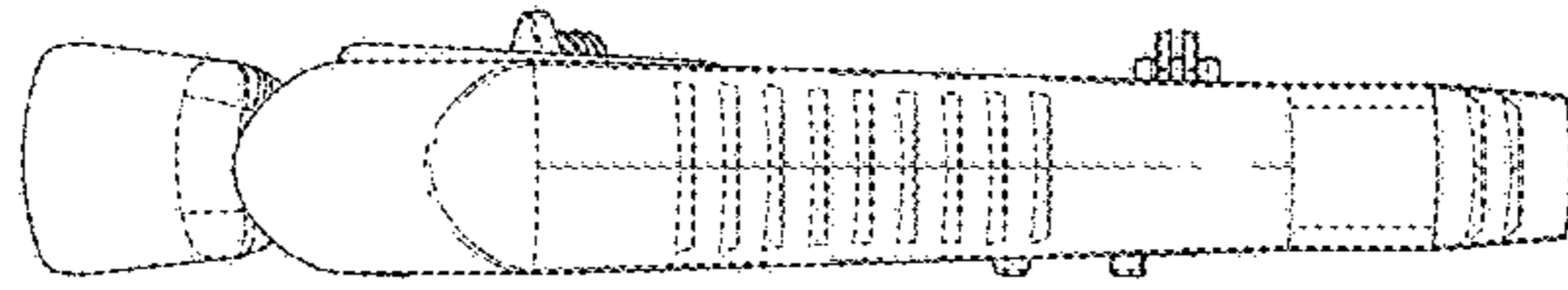


Fig. 9