



US00D850166S

(12) **United States Design Patent**
Chiang

(10) **Patent No.:** **US D850,166 S**

(45) **Date of Patent:** **** Jun. 4, 2019**

- (54) **HEXAGONAL WIRE SHELF**
- (71) Applicant: **My Gift Enterprise, LLC**,
Woodinville, WA (US)
- (72) Inventor: **Cliff Chiang**, Woodinville, WA (US)
- (**) Term: **15 Years**
- (21) Appl. No.: **29/640,580**
- (22) Filed: **Mar. 15, 2018**
- (51) **LOC (11) Cl.** **06-04**
- (52) **U.S. Cl.**
USPC **D6/672**
- (58) **Field of Classification Search**
USPC D6/672, 675, 675.5, 678, 678.4, 680.2,
D6/680.3, 705, 705.6, 574
CPC A47B 47/0008; A47B 47/0025; A47B
47/0075; A47B 47/021; A47B 47/0066;
A47B 47/0016; A47B 87/00; A47B 63/00
See application file for complete search history.

- D572,516 S * 7/2008 Snider D6/566
- D574,650 S * 8/2008 Snider D6/525
- D599,580 S * 9/2009 Whittier D6/574
- D599,634 S * 9/2009 Taylor, Jr. D8/29
- D600,944 S * 9/2009 McConnell D6/675
- D649,807 S * 12/2011 Stoepker D6/675
- 8,256,168 B2 * 9/2012 Bigger E02D 29/0291
405/114
- 8,752,455 B1 * 6/2014 Taylor, Jr. B25B 13/06
81/121.1
- D717,072 S * 11/2014 Callif D6/566
- 9,016,485 B1 * 4/2015 Liu A47B 47/0075
211/183
- 9,038,834 B2 * 5/2015 Liu A47B 47/0066
211/186
- 9,120,594 B2 * 9/2015 Huang B65D 11/1833
- 9,427,675 B2 * 8/2016 Yang A63H 33/04
- D831,806 S * 10/2018 Frasher D23/332
- D833,772 S * 11/2018 Tuang D6/566
- D836,187 S * 12/2018 Frasher D23/332
- 10,178,908 B1 * 1/2019 Tseng A47B 47/0025

(Continued)

Primary Examiner — John Windmuller
Assistant Examiner — Steven J Czyz
 (74) *Attorney, Agent, or Firm* — Marisa Whitaker; Dean
 A Craine

(56) **References Cited**

U.S. PATENT DOCUMENTS

- 2,085,238 A * 6/1937 Towell B65D 5/36
229/102.5
- 2,148,959 A * 2/1939 Pavlecka F16B 39/34
411/302
- 3,144,881 A * 8/1964 Sproull B03C 3/49
138/117
- 4,211,033 A * 7/1980 Ringer A01G 9/12
220/4.16
- 4,247,011 A * 1/1981 Walter A47B 87/0276
211/194
- D262,611 S * 1/1982 Gonzales D11/143
- 4,355,485 A * 10/1982 Frank A01G 9/023
47/82
- D371,484 S * 7/1996 Munoz D6/566
- D424,331 S * 5/2000 Juang D6/659
- D499,296 S * 12/2004 Suero, Jr. D6/574

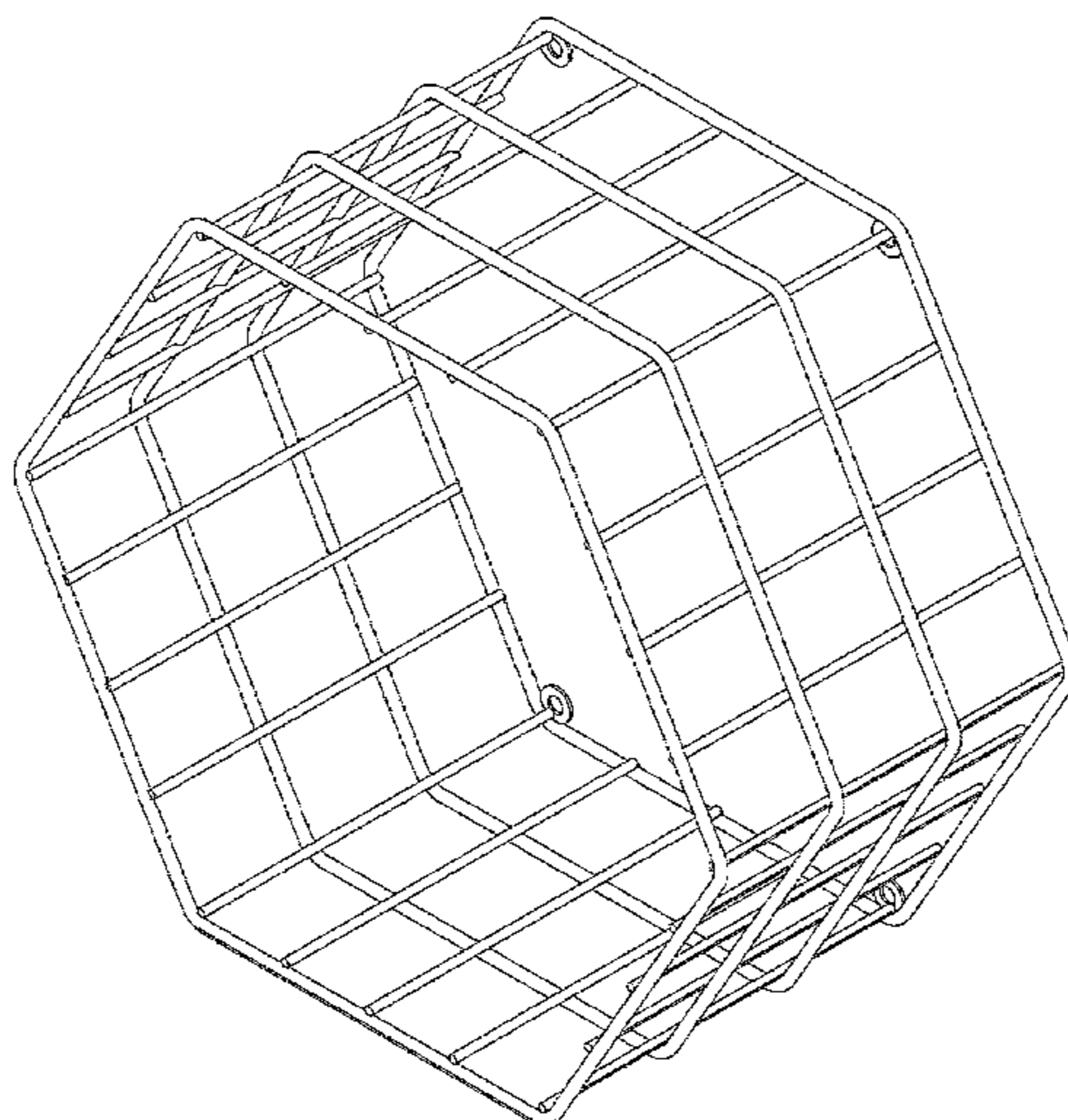
(57) **CLAIM**

The ornamental design for a hexagonal wire shelf, as shown and described.

DESCRIPTION

FIG. 1 is a front perspective view of a hexagonal wire shelf;
 FIG. 2 is a rear elevation view thereof;
 FIG. 3 is a front elevation view thereof;
 FIG. 4 is a top view thereof, with the bottom view being a
 mirror image thereof; and,
 FIG. 5 is a left side elevation view thereof, with the right side
 elevation view being a mirror image thereof.

1 Claim, 5 Drawing Sheets



(56)

References Cited

U.S. PATENT DOCUMENTS

2004/0134869 A1* 7/2004 Yang A47B 47/0033
211/181.1
2011/0192854 A1* 8/2011 Chen B65D 21/0202
220/660
2012/0256148 A1* 10/2012 Sirotin E04H 17/16
256/25
2015/0076091 A1* 3/2015 Lee A47B 73/006
211/85.4
2015/0096954 A1* 4/2015 Liu A47B 47/0066
211/186
2018/0146776 A1* 5/2018 Lye A47B 47/0091

* cited by examiner

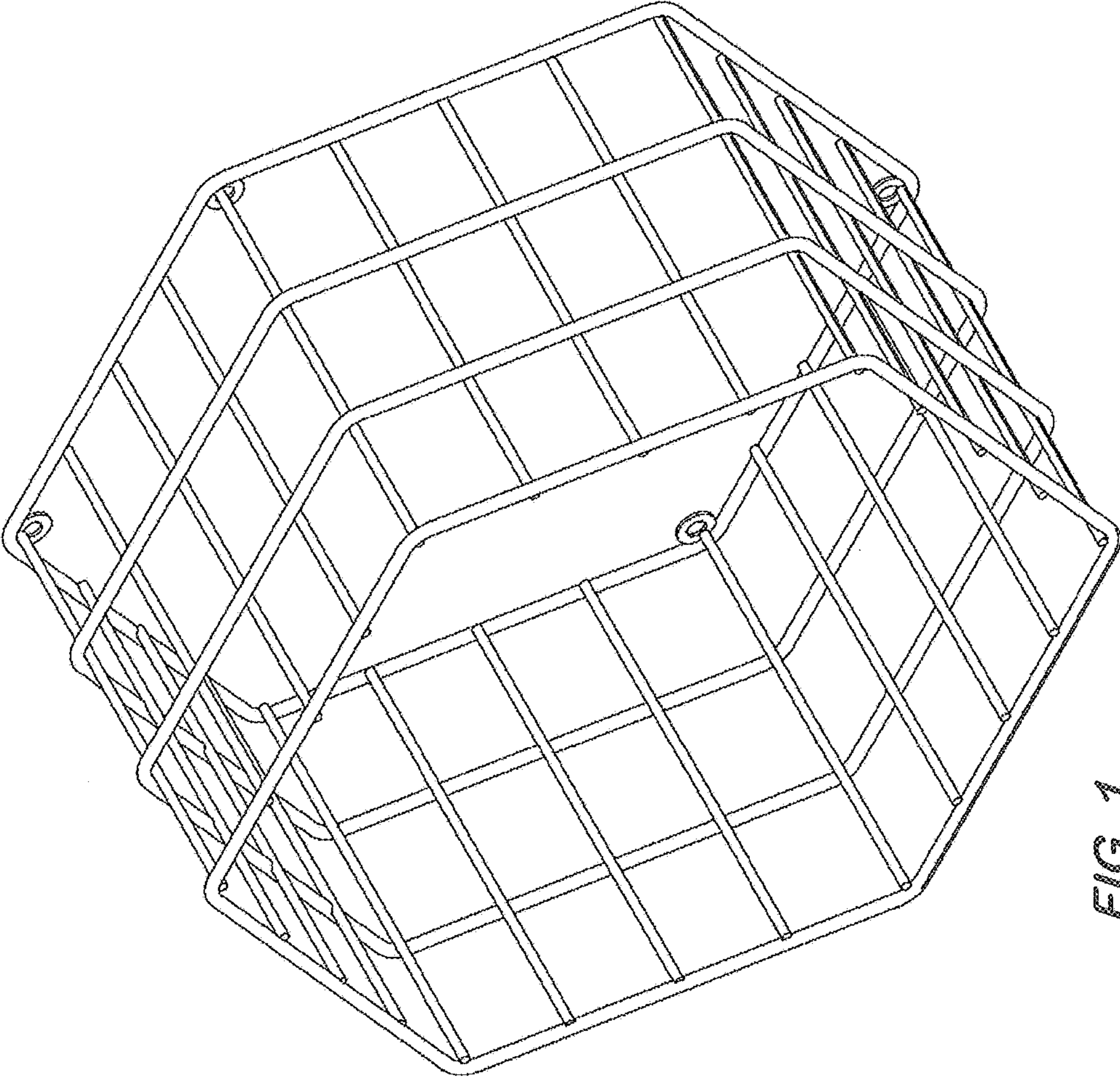


FIG. 1

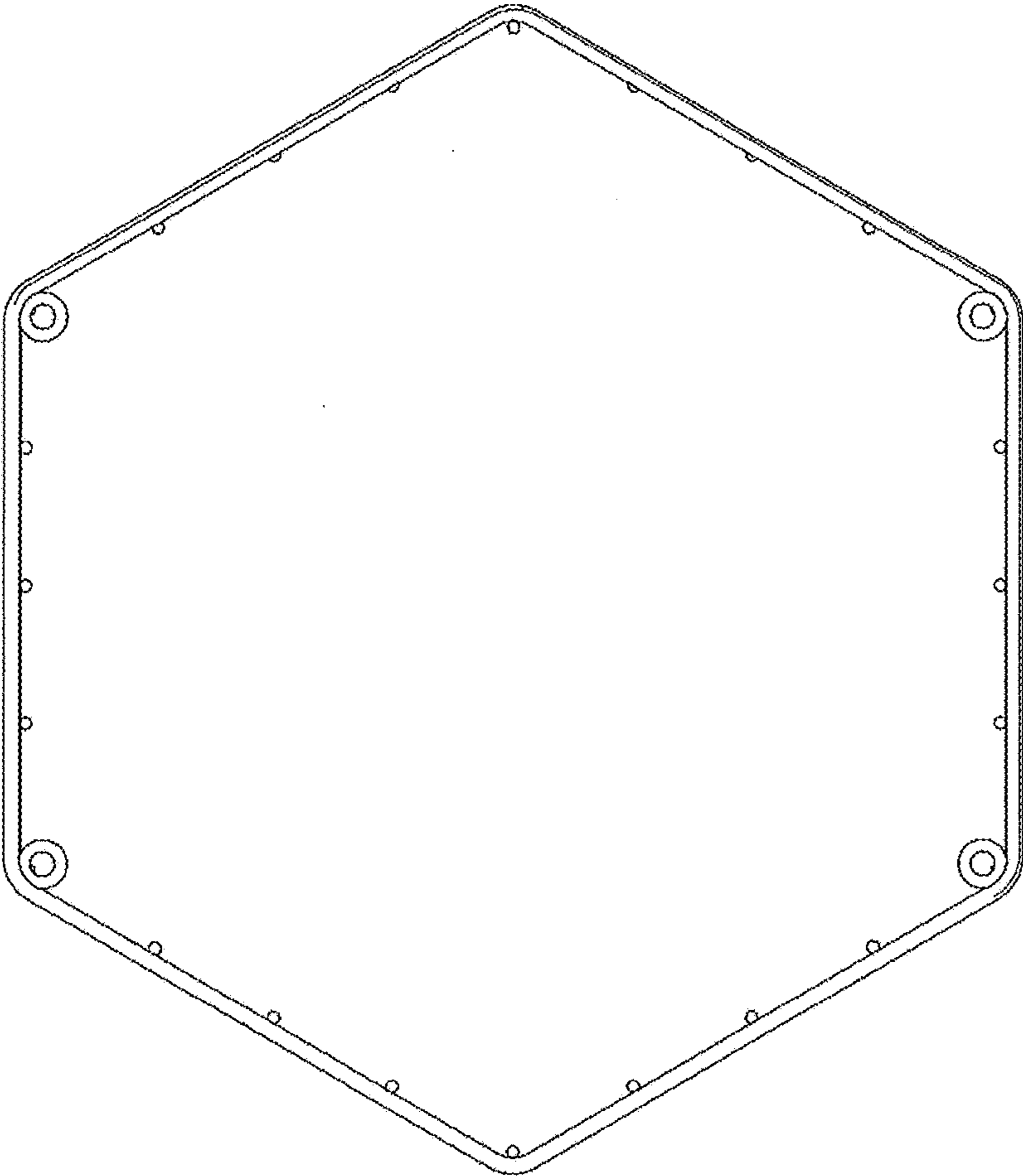


FIG. 2

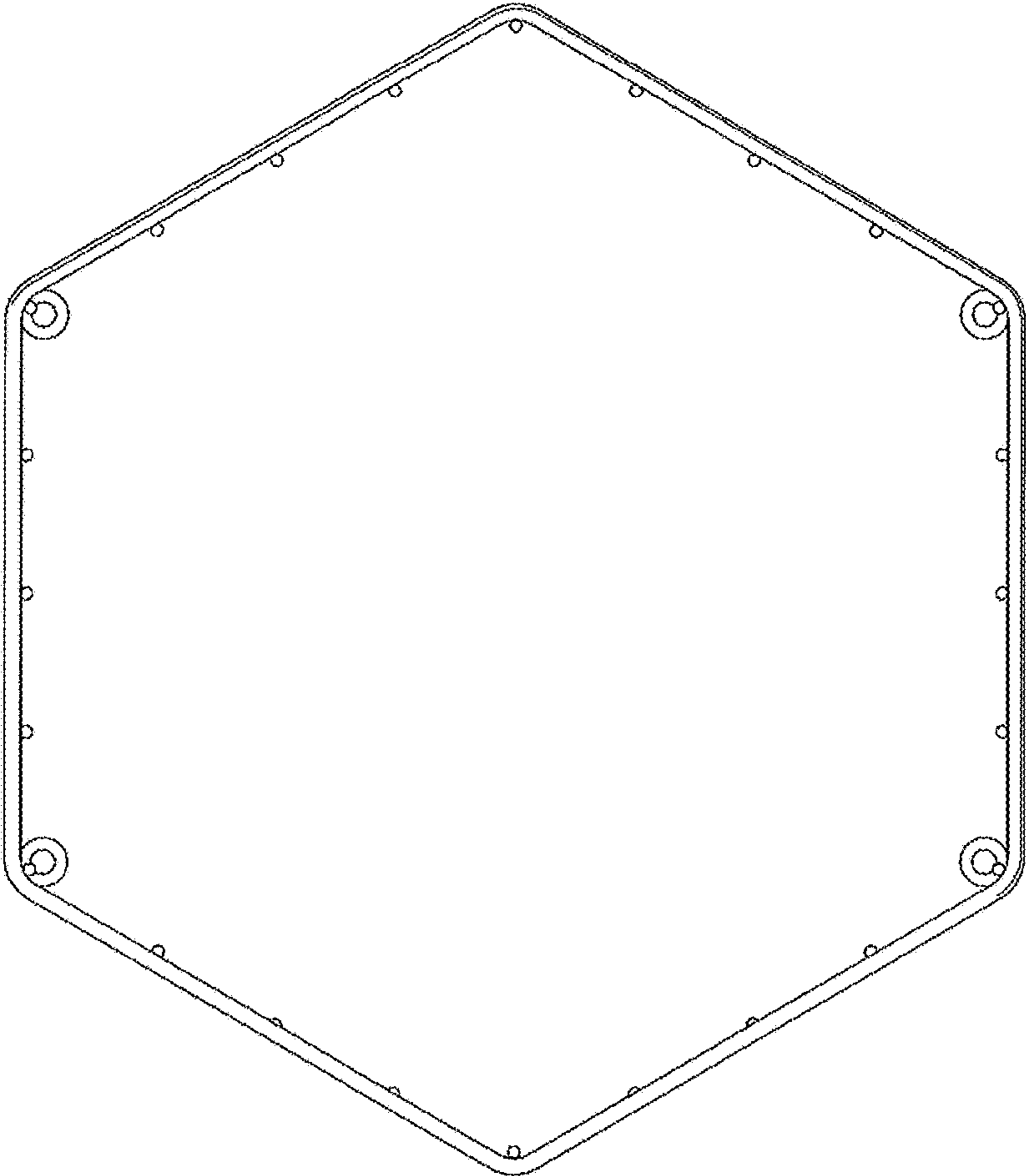


FIG. 3

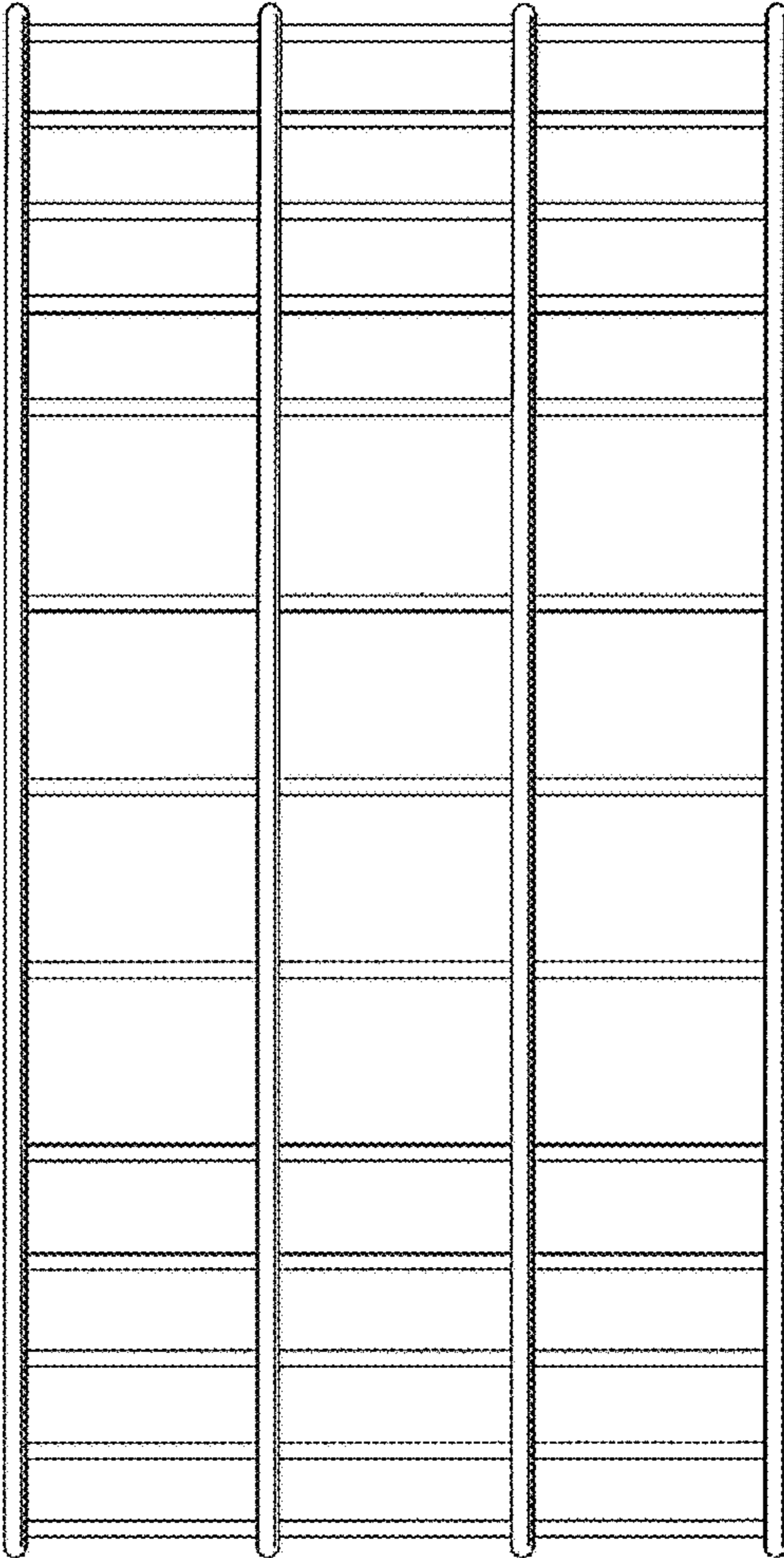


FIG. 4

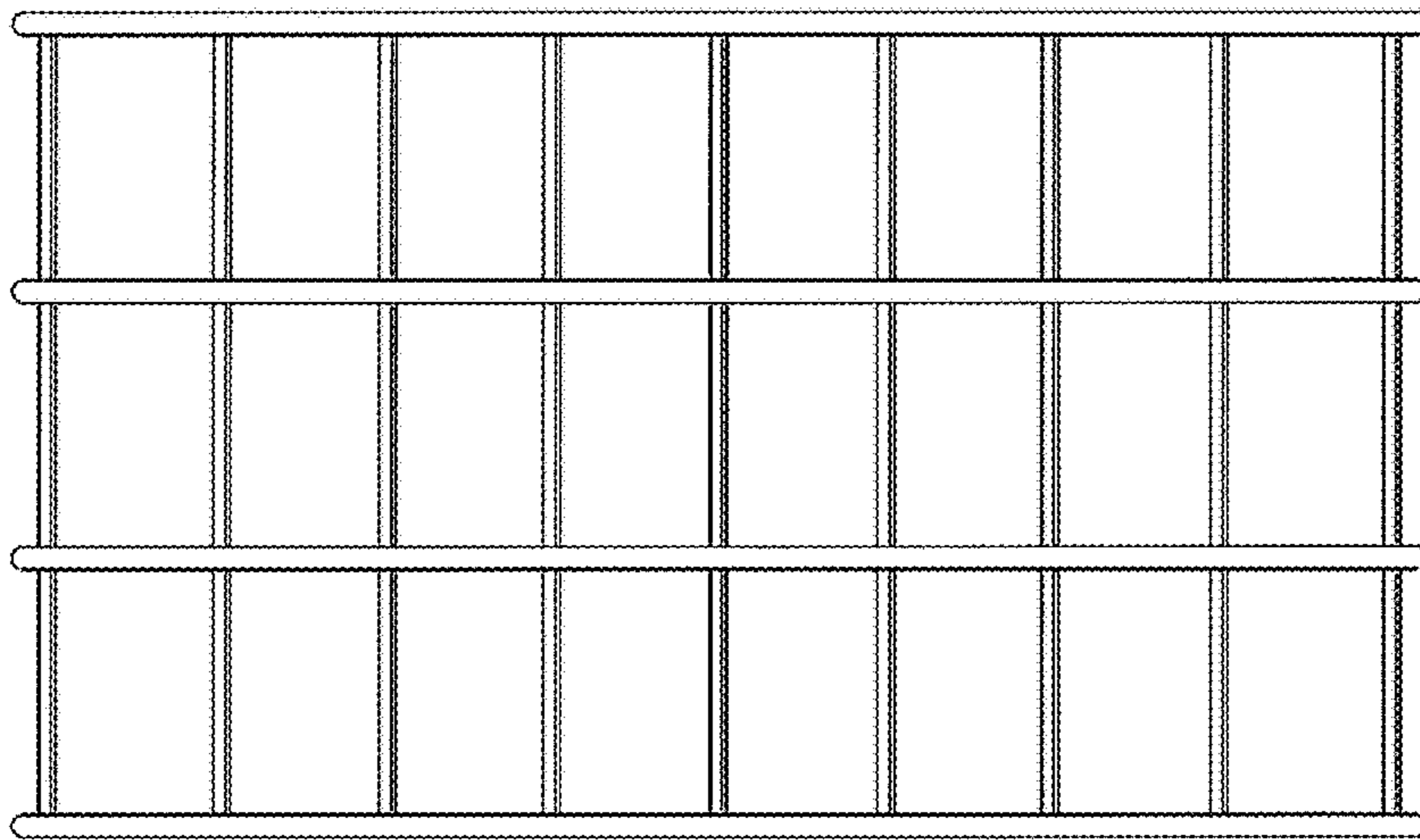


FIG. 5