



US00D850165S

(12) **United States Design Patent** (10) **Patent No.:** **US D850,165 S**  
**Eads et al.** (45) **Date of Patent:** **\*\* Jun. 4, 2019**

(54) **MARKETING DISPLAY**  
(71) Applicant: **DELTA FAUCET COMPANY**,  
Indianapolis, IN (US)  
(72) Inventors: **Thad Eads**, Urbana, IN (US); **Anthony Spangler**, Indianapolis, IN (US); **Seth Fritz**, Carmel, IN (US)  
(73) Assignee: **DELTA FAUCET COMPANY**,  
Indianapolis, IN (US)  
(\*\*) Term: **15 Years**  
(21) Appl. No.: **29/618,392**  
(22) Filed: **Sep. 21, 2017**  
(51) **LOC (11) Cl.** ..... **06-04**  
(52) **U.S. Cl.**  
USPC ..... **D6/672**  
(58) **Field of Classification Search**  
USPC ..... D6/672, 673, 675, 675.4, 678, 682,  
D6/682.1, 683  
CPC .. A47F 3/00; A47F 5/00; A47F 5/0018; A47F  
5/16; A47F 7/00  
See application file for complete search history.

D581,183 S \* 11/2008 Kutscha ..... D29/130  
D590,630 S \* 4/2009 Singler ..... D6/663  
D683,982 S \* 6/2013 Kikkert ..... D6/674  
D684,793 S \* 6/2013 Kikkert ..... D6/674  
D685,205 S \* 7/2013 Kikkert ..... D6/674  
D686,839 S \* 7/2013 Markwick ..... D6/673  
D686,852 S \* 7/2013 Lalo ..... D6/675.4  
D687,243 S \* 8/2013 Kikkert ..... D6/674  
D713,658 S \* 9/2014 Tio ..... D6/675  
D720,165 S \* 12/2014 Kincaid ..... D6/681.2  
D741,626 S \* 10/2015 Tapias ..... D6/672  
D771,419 S \* 11/2016 Fishman ..... D6/678  
D782,226 S \* 3/2017 Zheng ..... D6/672  
9,646,341 B2 \* 5/2017 Werner ..... A47F 1/00  
D794,976 S \* 8/2017 Fararji ..... D6/518

\* cited by examiner

*Primary Examiner* — John Windmuller  
*Assistant Examiner* — Steven J Czyz  
(74) *Attorney, Agent, or Firm* — Edgar A. Zarins; Nirav D. Parikh

(57) **CLAIM**

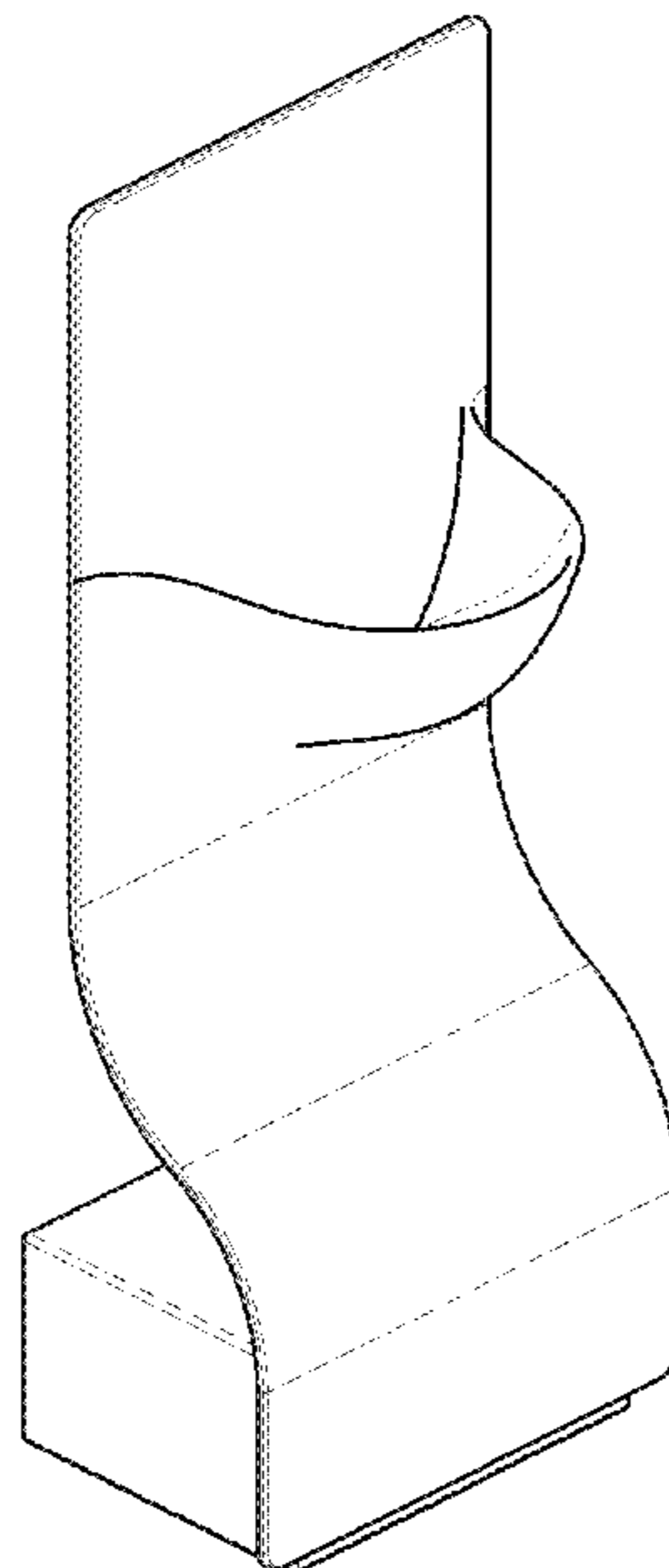
The ornamental design for a marketing display, as shown and described.

**DESCRIPTION**

FIG. 1 is a perspective view of a marketing display showing our new design;  
FIG. 2 is a rear view thereof;  
FIG. 3 is a front elevational view thereof;  
FIG. 4 is a left side view thereof, the opposite side being a mirror image of the side shown;  
FIG. 5 is a bottom view thereof; and,  
FIG. 6 is a top plan view thereof.  
The broken lines depict portions of the article that form no part of the claimed design.

**1 Claim, 3 Drawing Sheets**

(56) **References Cited**  
U.S. PATENT DOCUMENTS  
1,796,176 A \* 3/1931 Witzleb ..... A47F 7/00  
248/163.1  
D264,277 S \* 5/1982 Poelvoorde ..... D6/672  
D289,838 S \* 5/1987 Taub ..... D6/683  
D306,806 S \* 3/1990 Hill ..... D6/682.1  
D405,296 S \* 2/1999 Komarov ..... D6/682.1  
D435,067 S \* 12/2000 Shih ..... D20/10  
D562,588 S \* 2/2008 Bays ..... D6/672  
D572,942 S \* 7/2008 Robbins ..... D6/675.4



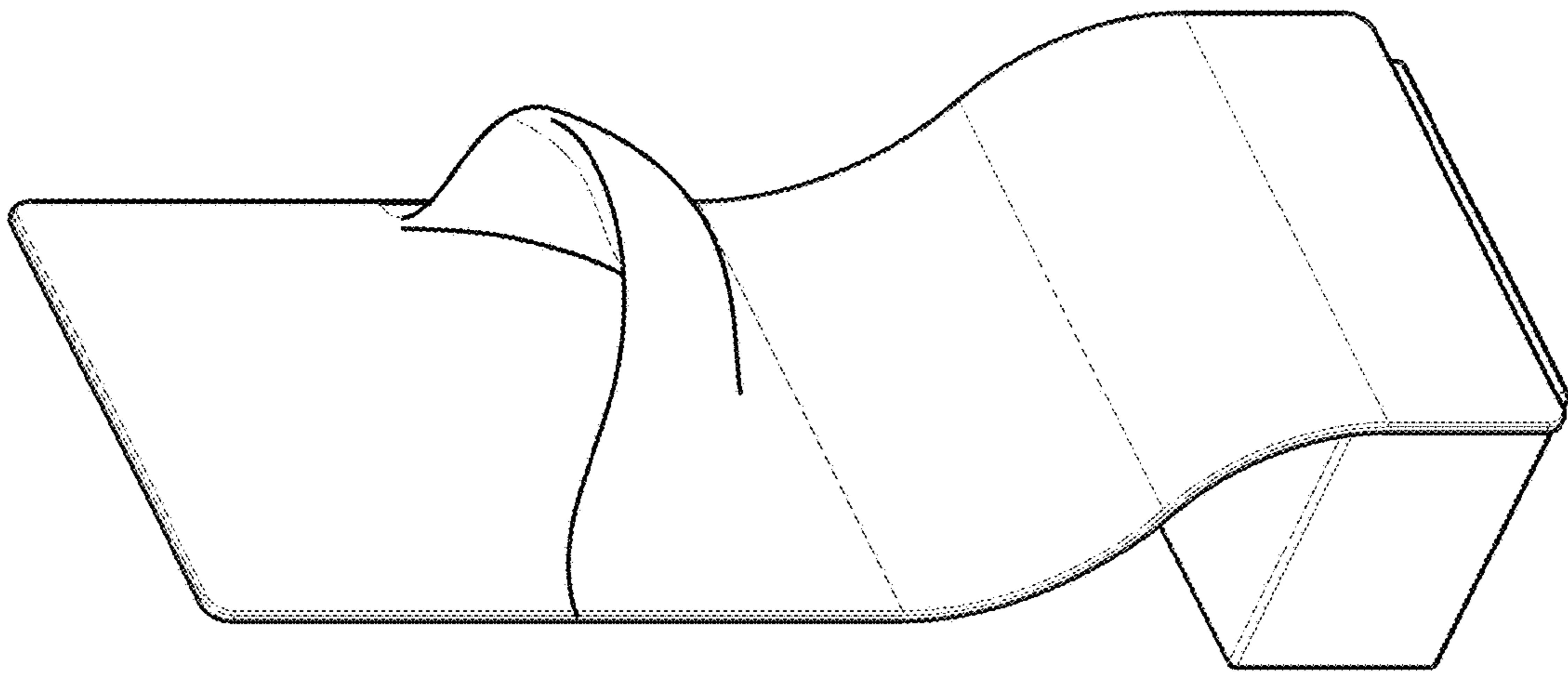


Fig. 1

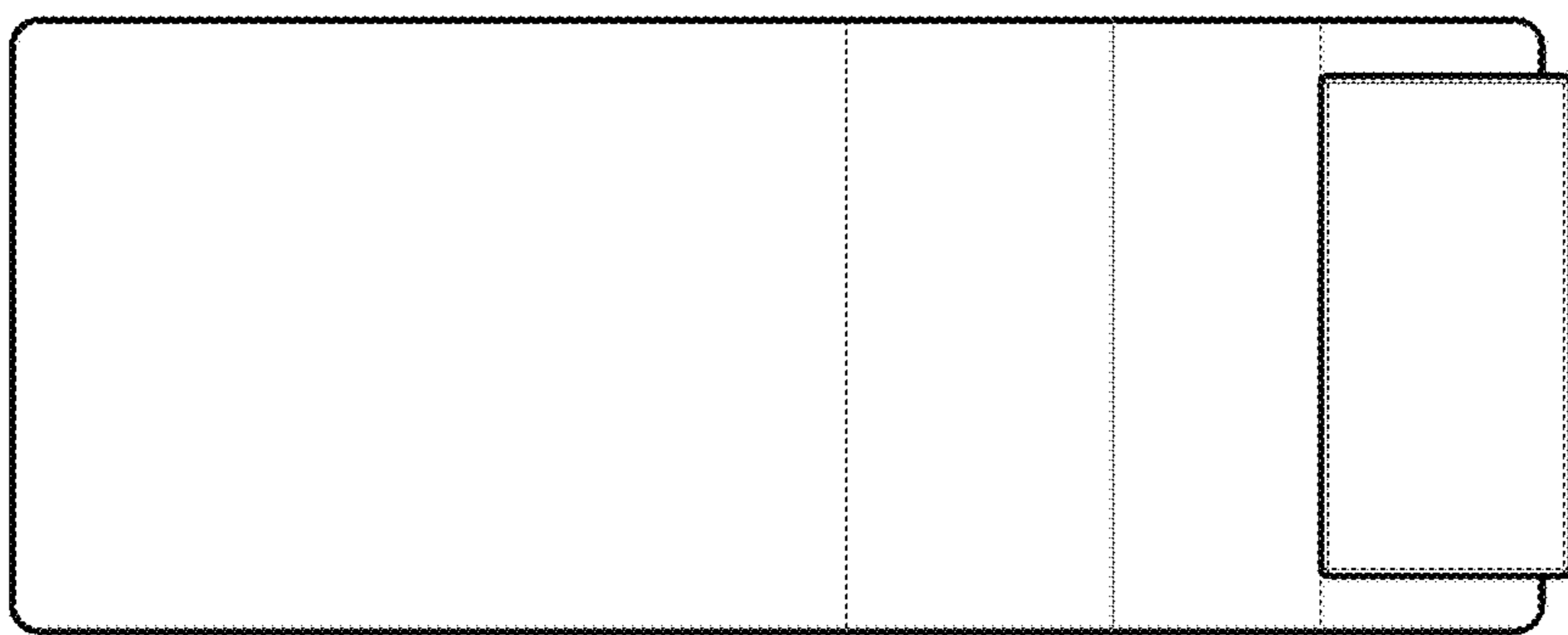


Fig. 2

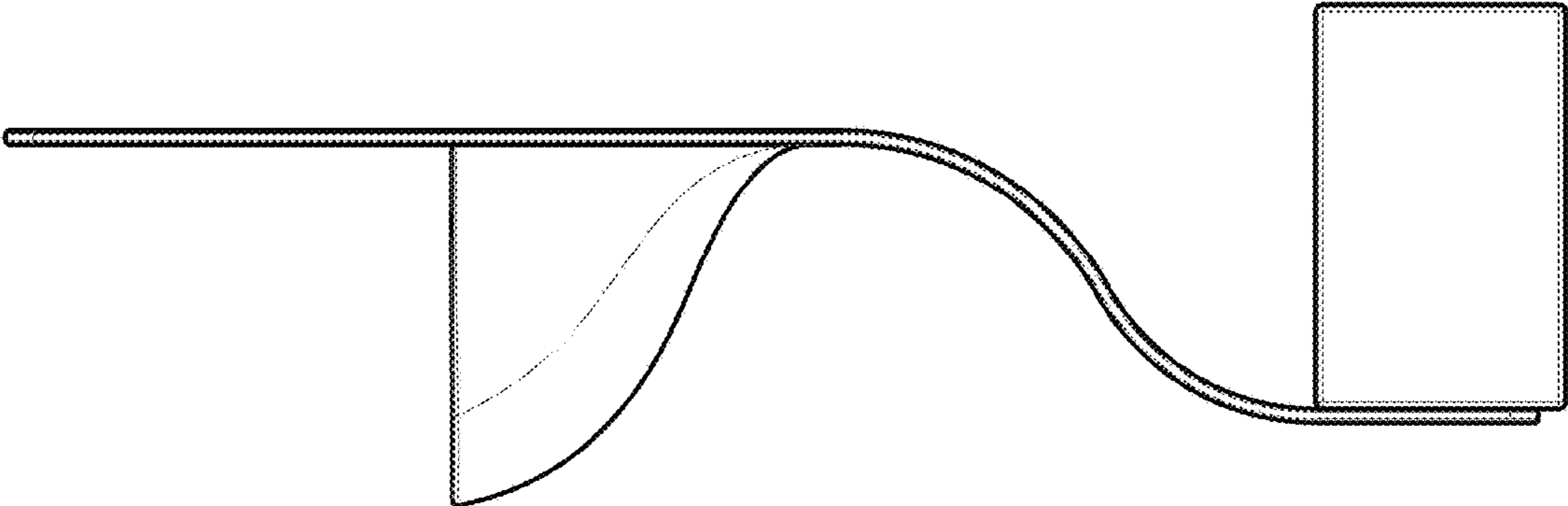


Fig. 4

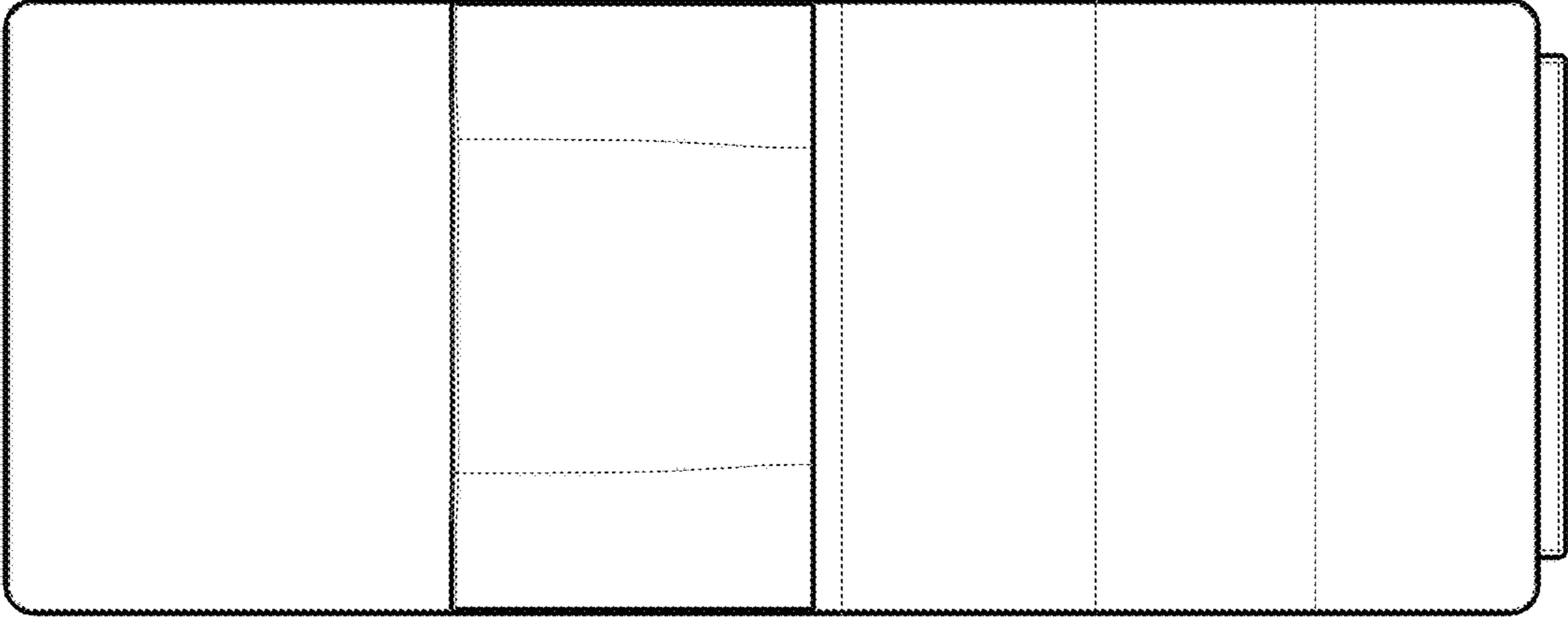


Fig. 3

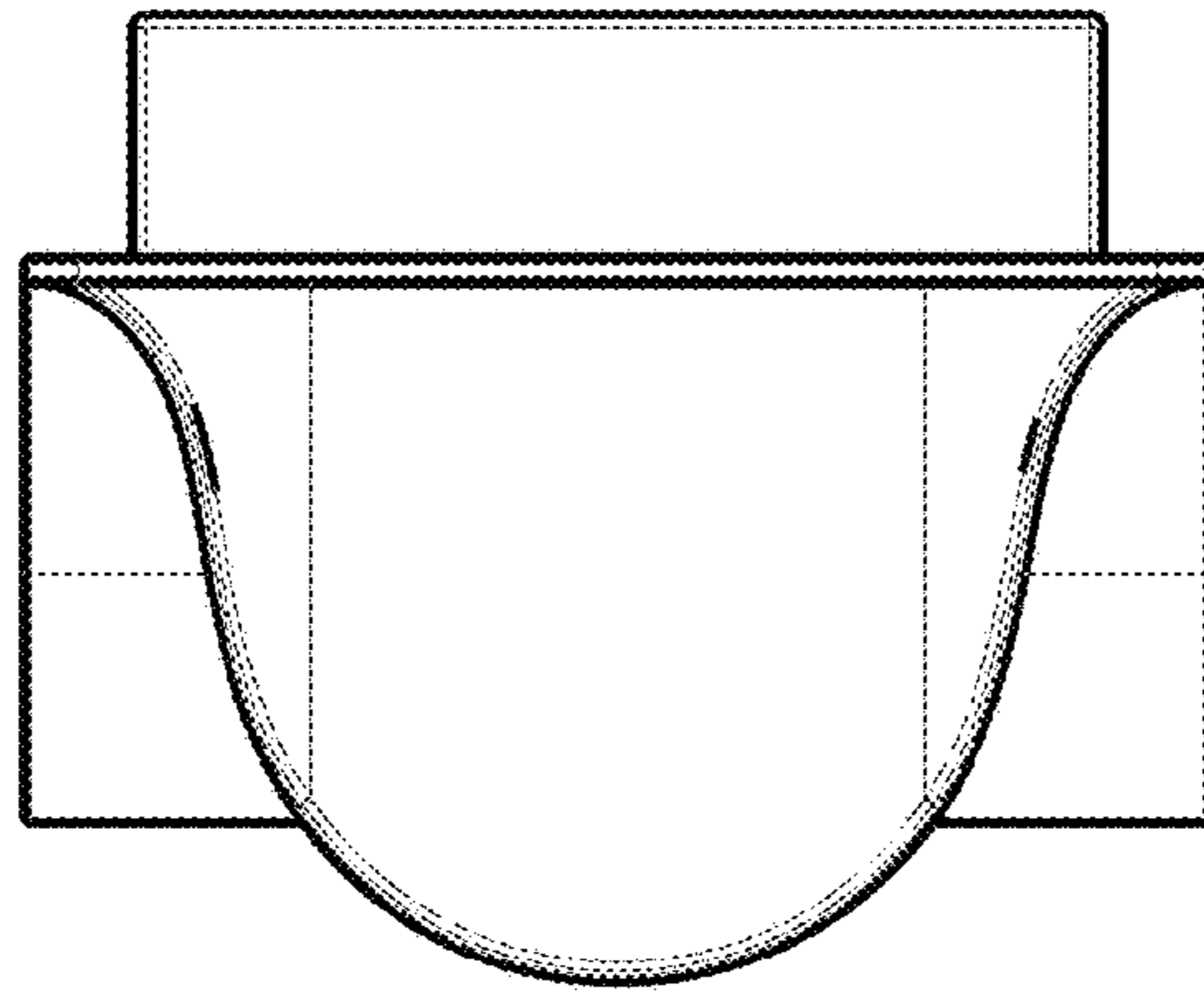


Fig. 6

Fig. 5

