



US00D850164S

(12) **United States Design Patent**
McKillip et al.

(10) **Patent No.:** **US D850,164 S**
(45) **Date of Patent:** **** Jun. 4, 2019**

(54) **NESTING FURNITURE**

(71) Applicants: **Angela McKillip**, Nunda, SD (US);
Vanny Cahyadi, Brookings, SD (US);
Grey Waletich, Eden, SD (US); **Kay**
Cutler, White, SD (US); **Chris Hume**,
Broomfield, CO (US)

(72) Inventors: **Angela McKillip**, Nunda, SD (US);
Vanny Cahyadi, Brookings, SD (US);
Grey Waletich, Eden, SD (US); **Kay**
Cutler, White, SD (US); **Chris Hume**,
Broomfield, CO (US)

(**) Term: **15 Years**

(21) Appl. No.: **29/619,094**

(22) Filed: **Sep. 27, 2017**

(51) **LOC (11) Cl.** **06-04**

(52) **U.S. Cl.**
USPC **D6/668.1**

(58) **Field of Classification Search**
USPC D6/536, 539, 663, 664, 665, 667, 668,
D6/668.1, 668.2, 672, 675, 675.1, 675.3,
D6/680, 680.2; D30/127, 128
CPC A01G 9/022; A24F 19/00; A47B 49/00;
A47B 63/00; A47B 67/04; A47B 73/00;
A47B 73/002; A47F 3/06; A47F 3/10;
A47F 3/14; A47F 5/02; A47F 5/04; A47F
5/05; A47F 5/06; A47F 7/024
See application file for complete search history.

(56) **References Cited**

U.S. PATENT DOCUMENTS

1,660,119 A * 2/1928 Decker A47C 13/00
144/363
D515,847 S * 2/2006 Moon D6/675.1

D517,352 S * 3/2006 Wicha D6/675
D532,992 S * 12/2006 Kingsley D6/668.2
D568,070 S * 5/2008 Cartwright D6/675.1
D716,079 S * 10/2014 Su D6/675.1
D734,667 S * 7/2015 Schotsman D11/155
D759,995 S * 6/2016 Miller D6/668.2
D771,416 S * 11/2016 Miller D6/668.2
D793,128 S * 8/2017 Peota D6/675
D805,311 S * 12/2017 Mandon D6/349
D813,574 S * 3/2018 Patton D6/671.1

* cited by examiner

Primary Examiner — Mary Ann Calabrese
Assistant Examiner — Catherine Ho

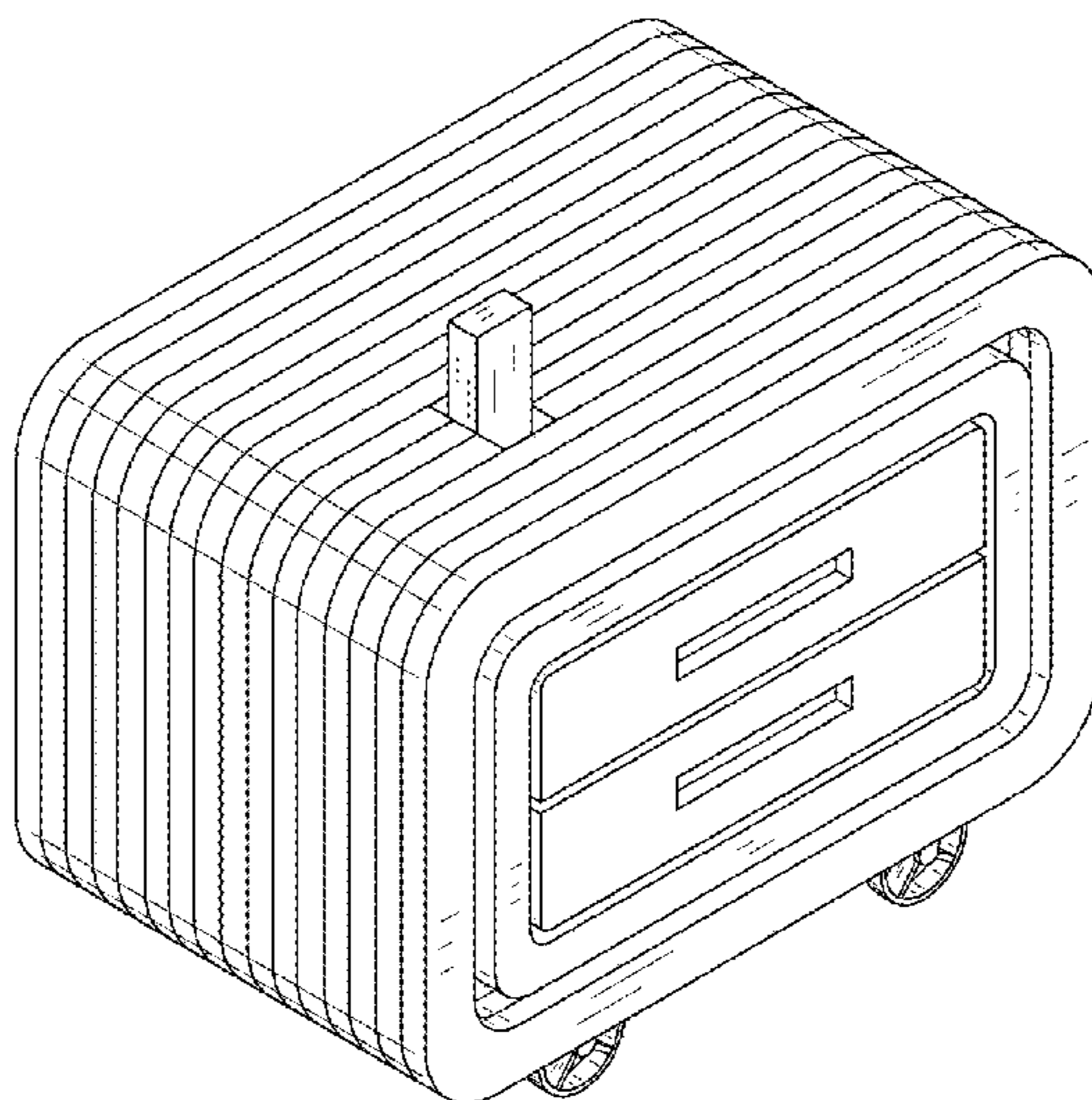
(57) **CLAIM**

We claim the ornamental design for a nesting furniture, as shown and described.

DESCRIPTION

FIG. 1 is an exploded front view for a nesting furniture showing my new design, an exploded rear view being a mirror image thereof;
FIG. 2 is an exploded left side view thereof;
FIG. 3 is an exploded right side view thereof;
FIG. 4 is an exploded top view thereof;
FIG. 5 is an exploded bottom view thereof;
FIG. 6 is an exploded top front side perspective view thereof; and,
FIG. 7 is a top front side perspective view for a nesting furniture in an assembled position.

1 Claim, 6 Drawing Sheets



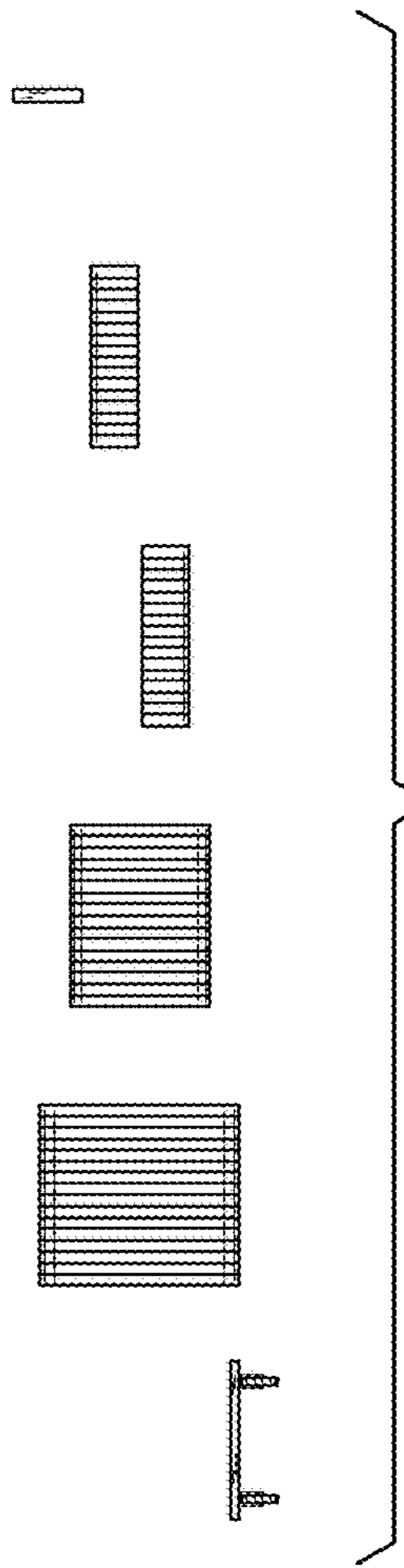


FIG. 1

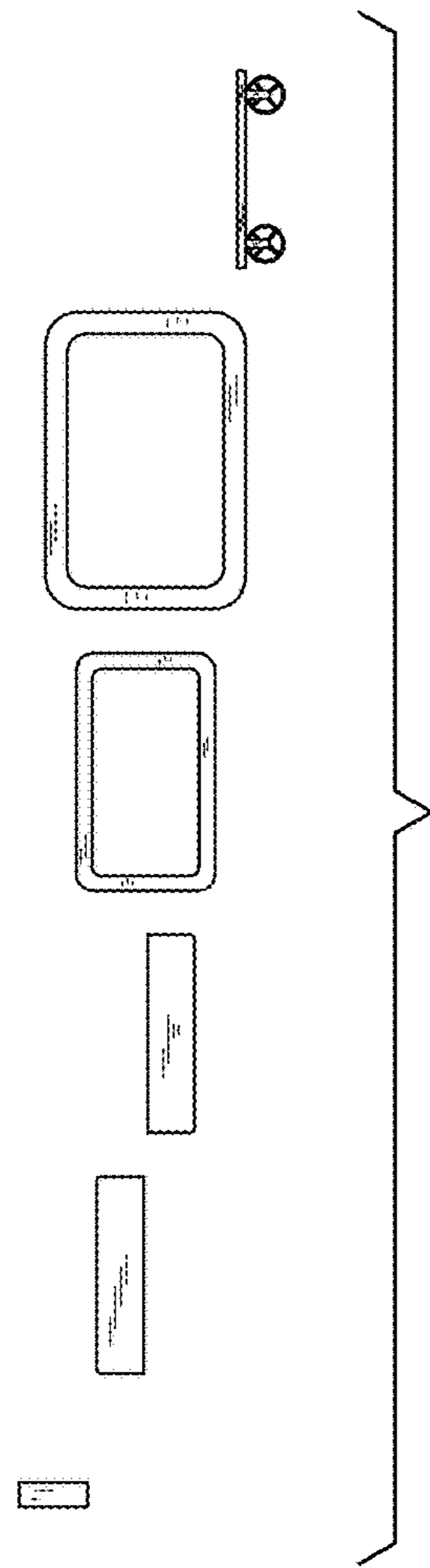


FIG. 2

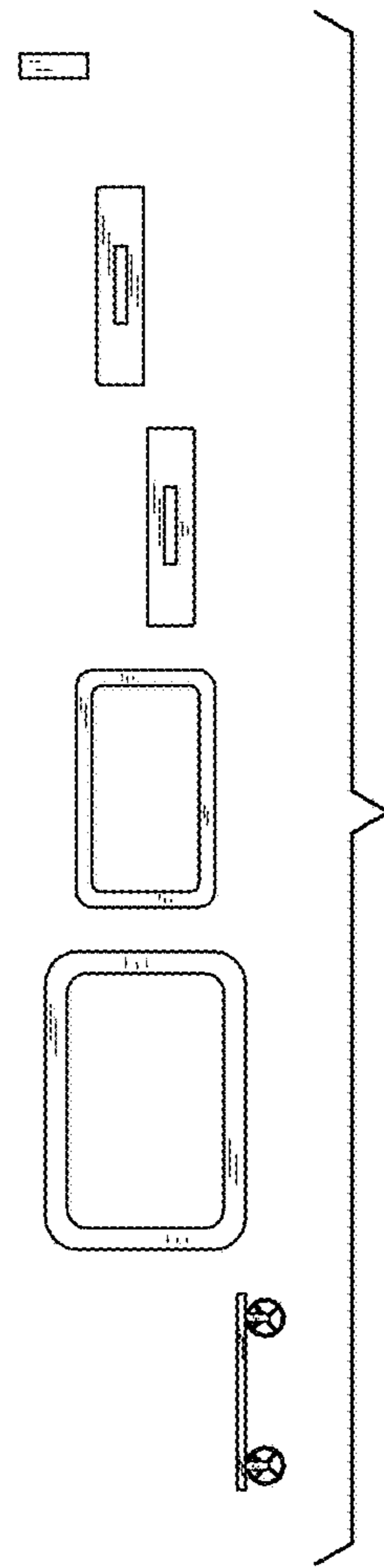
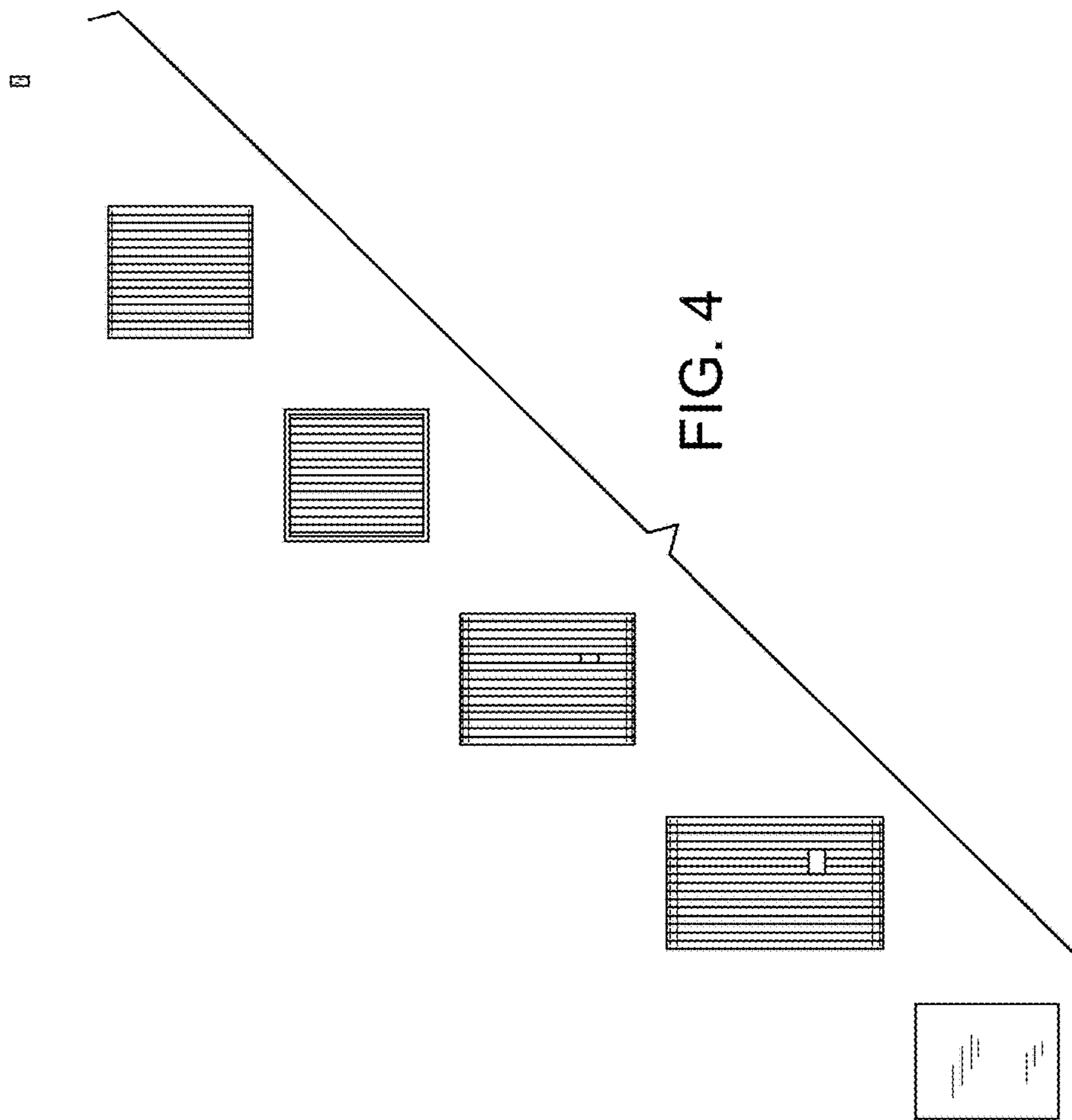
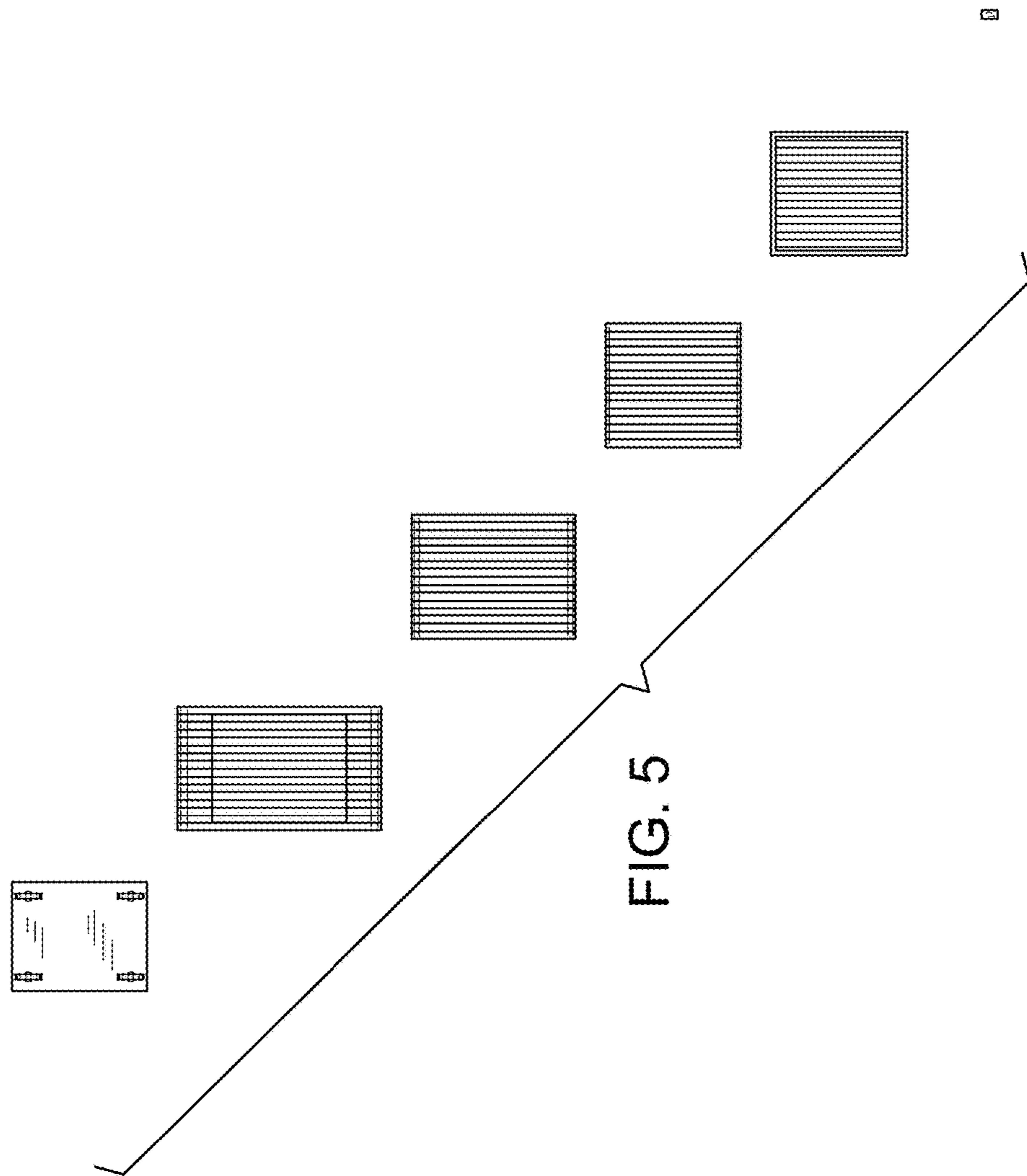
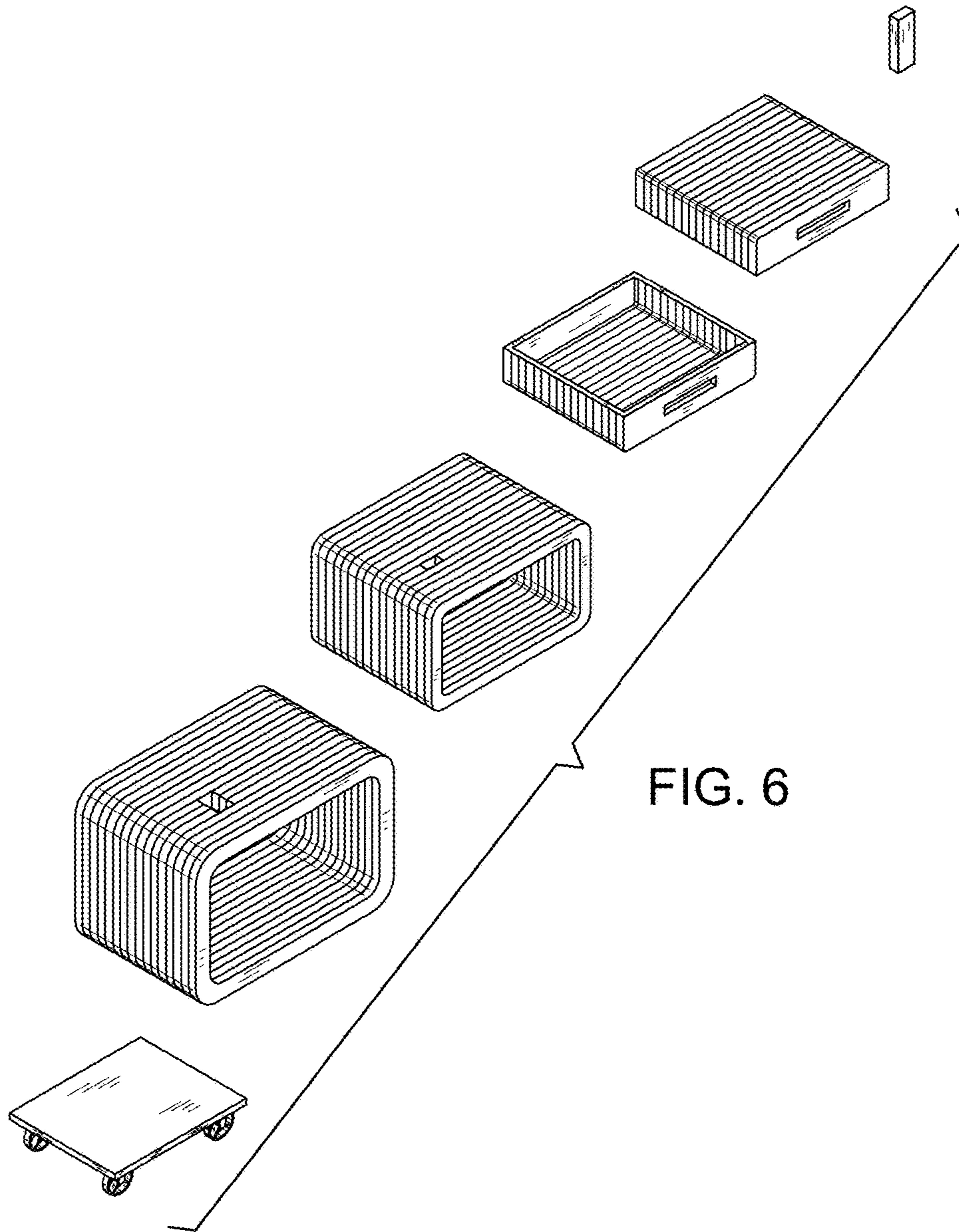


FIG. 3







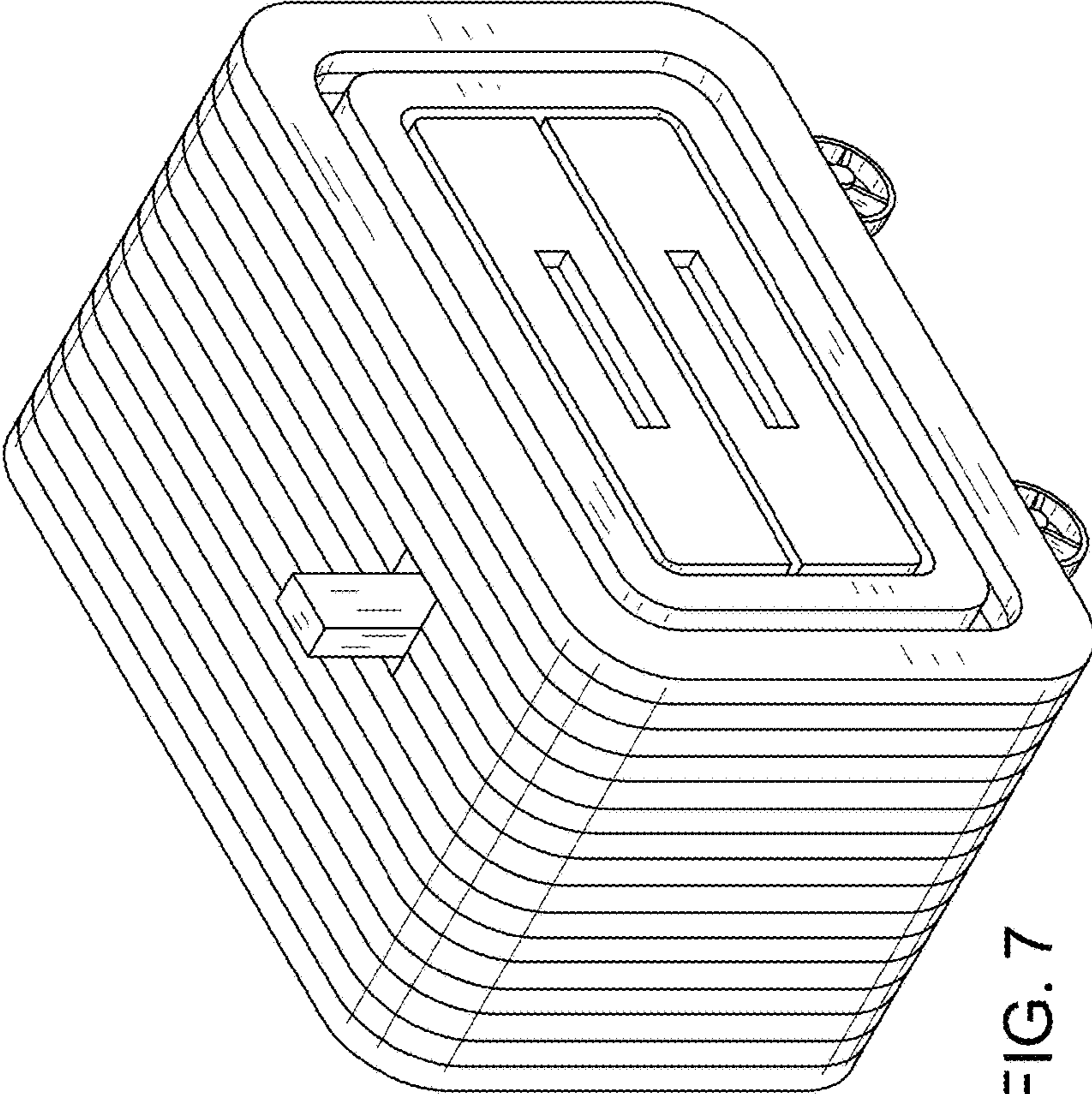


FIG. 7