



US00D850163S

(12) **United States Design Patent** (10) **Patent No.:** **US D850,163 S**  
**DuBois** (45) **Date of Patent:** **\*\* Jun. 4, 2019**

(54) **BOTTLE HOLDER**

(71) Applicant: **Really Good Stuff, LLC**, Monterey, CA (US)

(72) Inventor: **Craig DuBois**, Stratford, CT (US)

(73) Assignee: **Really Good Stuff, LLC**, Monterey, CA (US)

(\*\*) Term: **15 Years**

(21) Appl. No.: **29/633,174**

(22) Filed: **Jan. 12, 2018**

(51) **LOC (11) Cl.** ..... **07-06**

(52) **U.S. Cl.**  
USPC ..... **D6/620**

(58) **Field of Classification Search**  
USPC ..... D6/531-534; D7/620, 523, 532, 601, D7/605-608, 615, 624.2, 625; D9/444, D9/501-504, 574, 575, 779; D3/304-314  
CPC ..... F25D 3/08; B65D 25/20; B65D 25/22; B65D 25/30; B65D 7/24; B65D 81/3876; B65D 81/3879; B65D 23/104; B65D 81/38; B65D 81/3886; B65D 81/3883; B65D 81/3881; B65D 83/00; B65D 1/42; B65D 8/00; B65D 15/02; A45C 11/00; A45C 11/20; A47G 23/0216; A47G 23/0266; A47G 19/2288; A47G 23/0241; A47G 2023/0291; A45F 2200/0583; A45F 3/14; A61F 7/10; B31D 5/0086; A47J 41/02; A47J 41/0077; A47K 1/08  
See application file for complete search history.

(56) **References Cited**

**U.S. PATENT DOCUMENTS**

D206,156 S \* 11/1966 Schinker ..... D19/75  
3,698,675 A \* 10/1972 Lerew ..... A47K 1/09  
211/75  
D241,479 S \* 9/1976 Mueller ..... D3/201  
D295,710 S \* 5/1988 Hero ..... D7/608

D342,871 S \* 1/1994 Stern ..... D7/620  
D353,840 S \* 12/1994 Dietterich ..... D19/77  
D365,250 S \* 12/1995 Bergin ..... D7/620  
D367,395 S \* 2/1996 Brilanchik ..... D7/300  
D368,628 S \* 4/1996 Bergin ..... D7/620  
D380,652 S \* 7/1997 Ayotte ..... D7/620  
D398,127 S \* 9/1998 Bergin ..... D34/27  
5,820,095 A \* 10/1998 Stone ..... B43K 23/00  
248/316.7  
D411,079 S \* 6/1999 Graham ..... D7/624.2  
D417,368 S \* 12/1999 O'Neill ..... D7/606

(Continued)

**OTHER PUBLICATIONS**

Really Good Stuff website, Water Bottle Holder, Jan. 15, 2019, <https://www.reallygoodstuff.com/water-bottle-holder/p/166091/tab/k8/>.\*

(Continued)

*Primary Examiner* — David G Muller  
*Assistant Examiner* — Nathan M Johnston  
(74) *Attorney, Agent, or Firm* — Gottlieb, Rackman & Reisman, P.C.

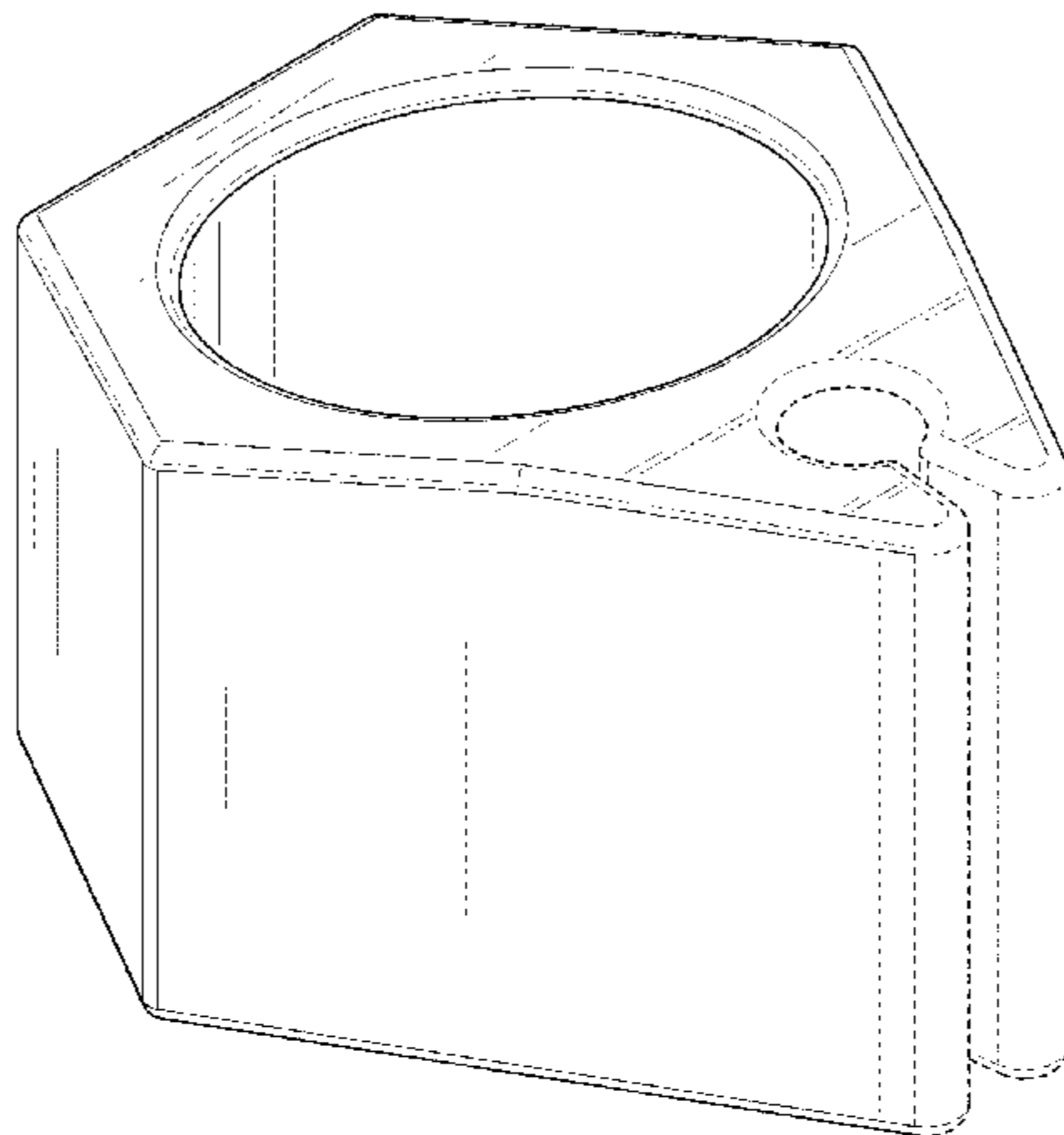
(57) **CLAIM**

The ornamental design for a bottle holder, as shown and described.

**DESCRIPTION**

FIG. 1 is a perspective view of a bottle holder showing my new design;  
FIG. 2 is a front elevational view thereof;  
FIG. 3 is a rear elevational view thereof;  
FIG. 4 is a left side elevational view thereof;  
FIG. 5 is a right side elevational view thereof;  
FIG. 6 is a top plan view thereof; and,  
FIG. 7 is a bottom plan view thereof.  
The broken lines shown in the drawings are included for the purpose of illustrating portions of the bottle holder that form no part of the claimed design.

**1 Claim, 7 Drawing Sheets**



(56)

**References Cited**

U.S. PATENT DOCUMENTS

|              |      |         |              |       |                        |
|--------------|------|---------|--------------|-------|------------------------|
| D429,967     | S *  | 8/2000  | Barfield     | ..... | D7/620                 |
| D431,756     | S *  | 10/2000 | Kimbrough    | ..... | D34/27                 |
| D463,218     | S *  | 9/2002  | Wu           | ..... | D7/605                 |
| D516,393     | S *  | 3/2006  | Wickenhauser | ..... | D7/619.1               |
| D516,874     | S *  | 3/2006  | Haney        | ..... | D7/620                 |
| D570,698     | S *  | 6/2008  | Wagner       | ..... | D9/535                 |
| D574,669     | S *  | 8/2008  | Bergin       | ..... | D7/620                 |
| D604,564     | S *  | 11/2009 | Walter       | ..... | D7/620                 |
| D662,784     | S *  | 7/2012  | Fleck        | ..... | D7/607                 |
| D703,702     | S *  | 4/2014  | Tussy        | ..... | D15/83                 |
| D721,544     | S *  | 1/2015  | Hollander    | ..... | D7/620                 |
| D741,662     | S *  | 10/2015 | Steel        | ..... | D7/607                 |
| D755,575     | S *  | 5/2016  | Pratt        | ..... | D7/620                 |
| 9,357,829    | B1 * | 6/2016  | Ikier        | ..... | A45F 3/44              |
| D791,551     | S *  | 7/2017  | Gaffney      | ..... | D7/620                 |
| D791,586     | S *  | 7/2017  | Bois         | ..... | D9/529                 |
| D804,394     | S *  | 12/2017 | Bergin       | ..... | D12/419                |
| D805,855     | S *  | 12/2017 | Adams, IV    | ..... | D7/620                 |
| D820,050     | S *  | 6/2018  | Bergin       | ..... | D7/620                 |
| D825,282     | S *  | 8/2018  | Marshall     | ..... | D7/620                 |
| D837,613     | S *  | 1/2019  | Nichols      | ..... | D7/620                 |
| 2015/0069096 | A1 * | 3/2015  | Kampas       | ..... | A45F 5/00<br>224/148.6 |
| 2018/0244357 | A1 * | 8/2018  | Bouse        | ..... | F16M 13/022            |

OTHER PUBLICATIONS

Ocean Fenders, "Clip-on Can Holder", retrieved from <https://www.oceanfenders.com/product/5-boat-accessories/5933-clip-on-can-holder>, Jan. 11, 2018.

\* cited by examiner

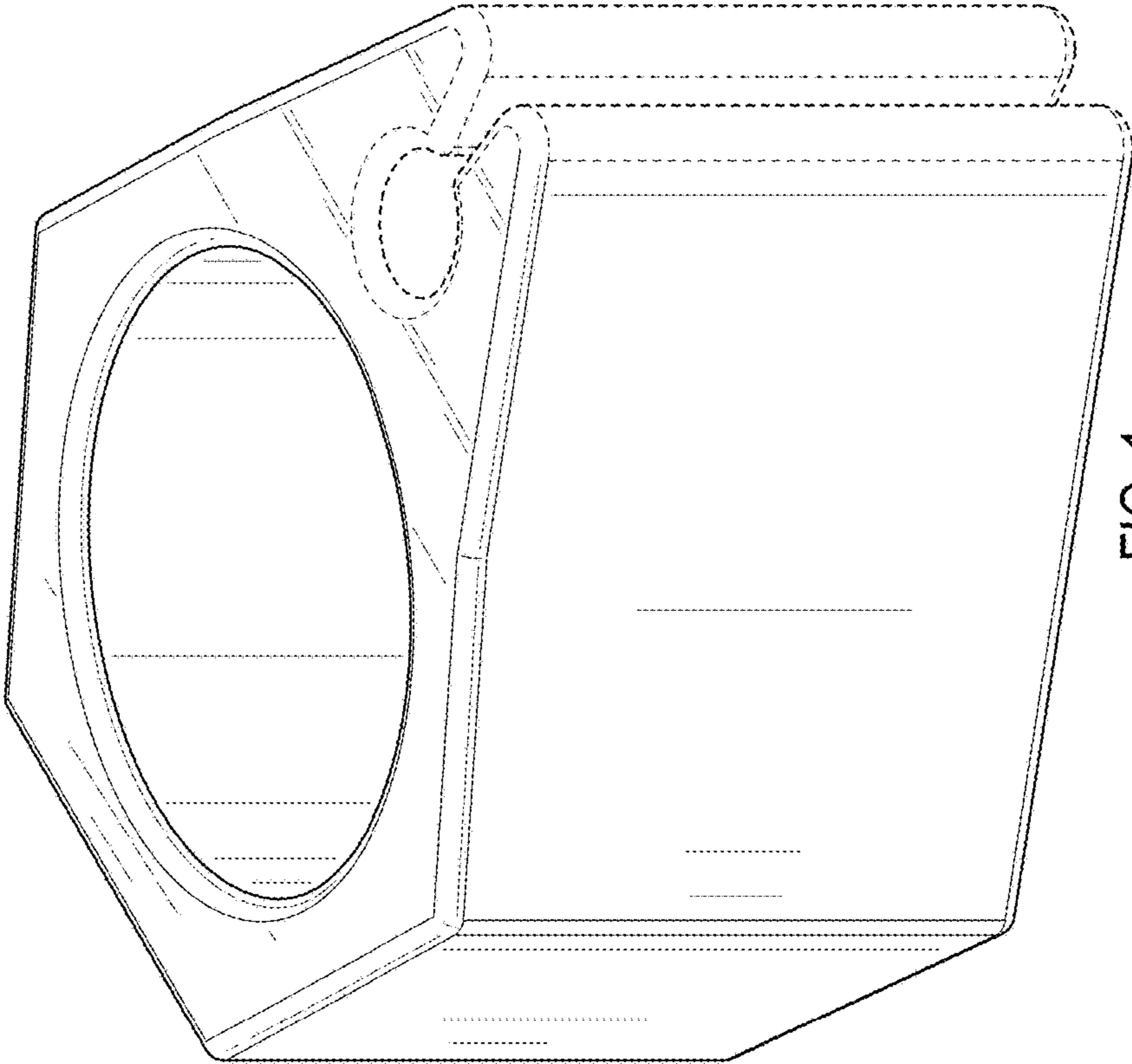


FIG. 1

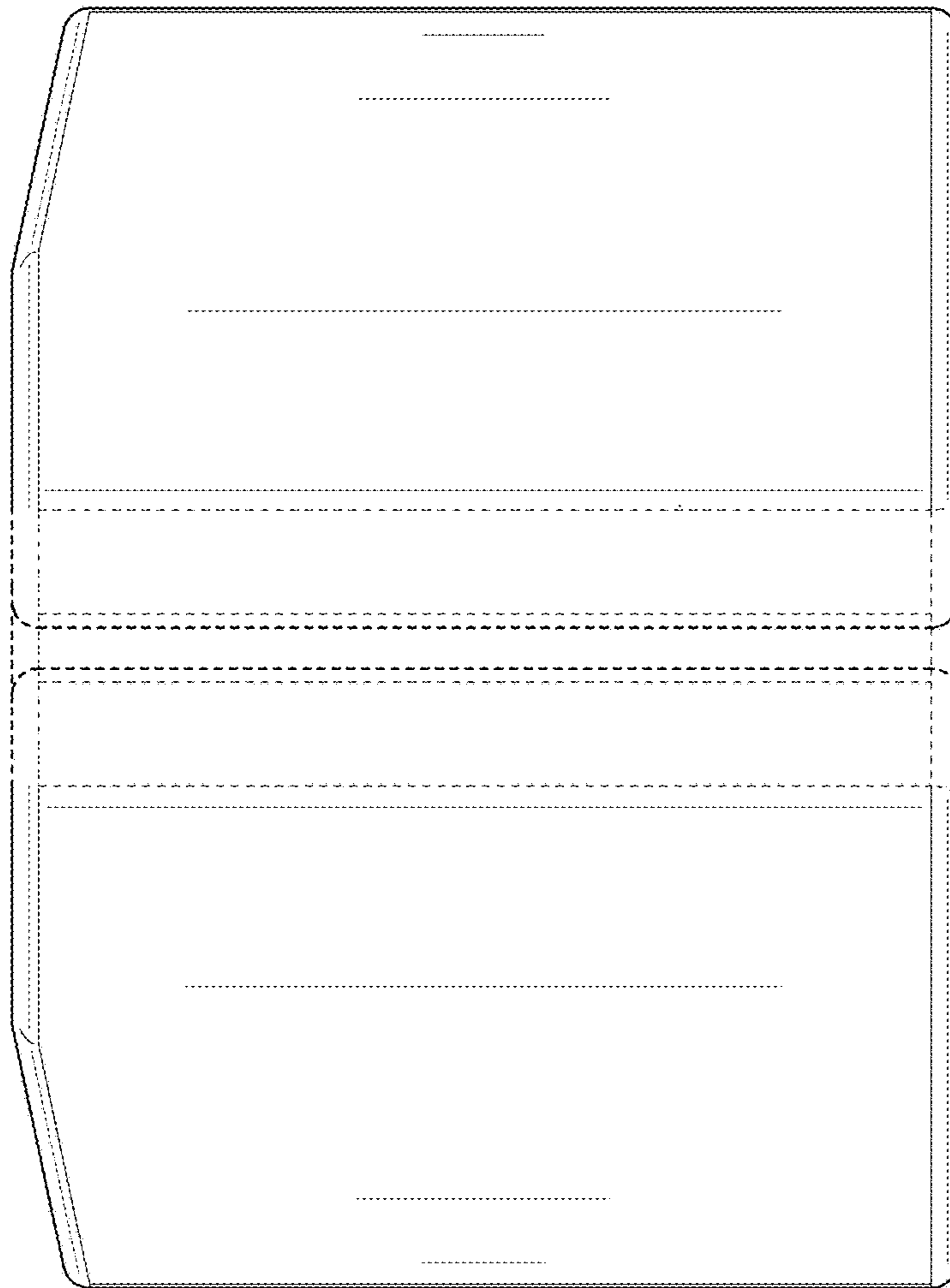


FIG. 2

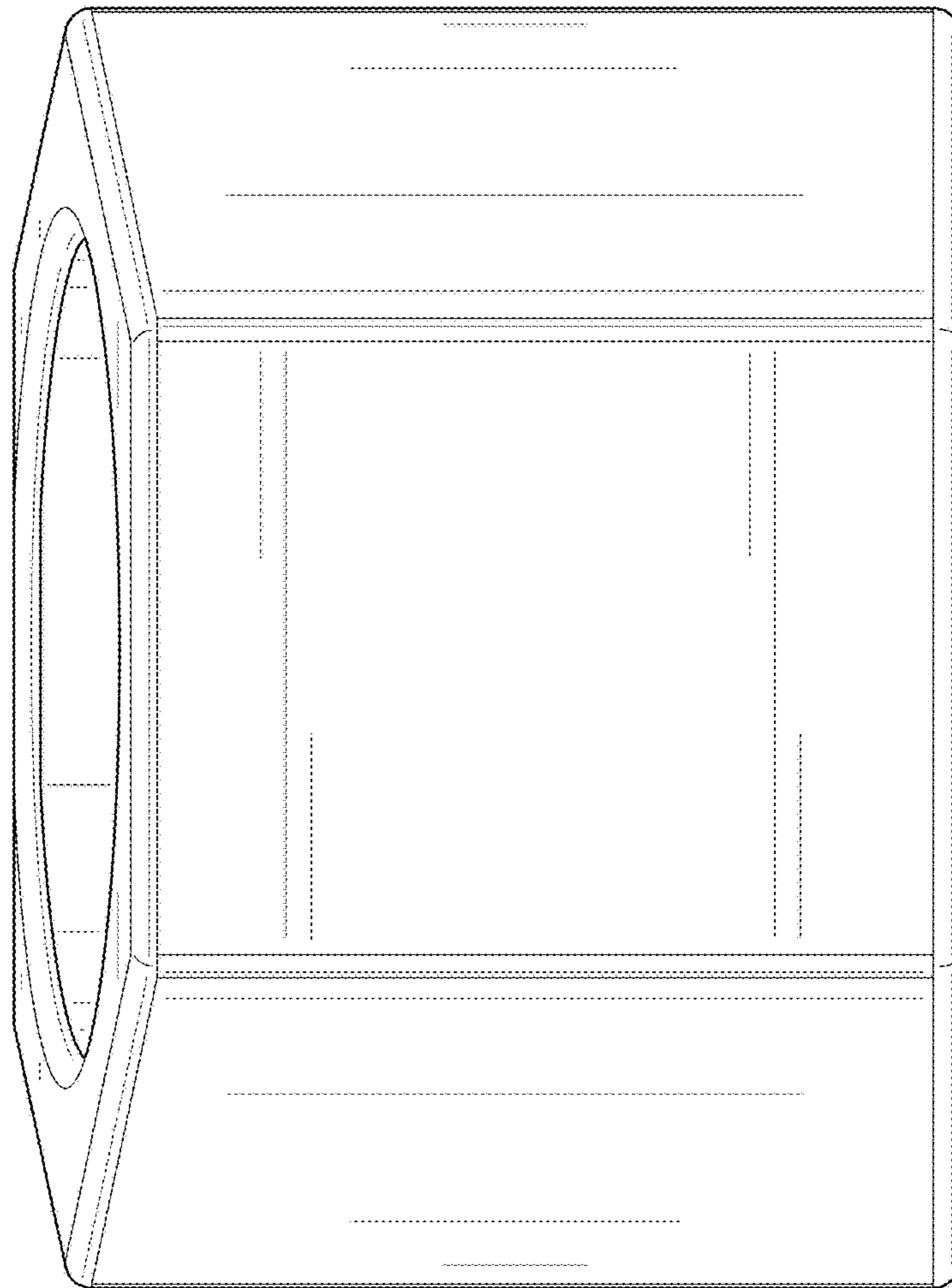


FIG. 3

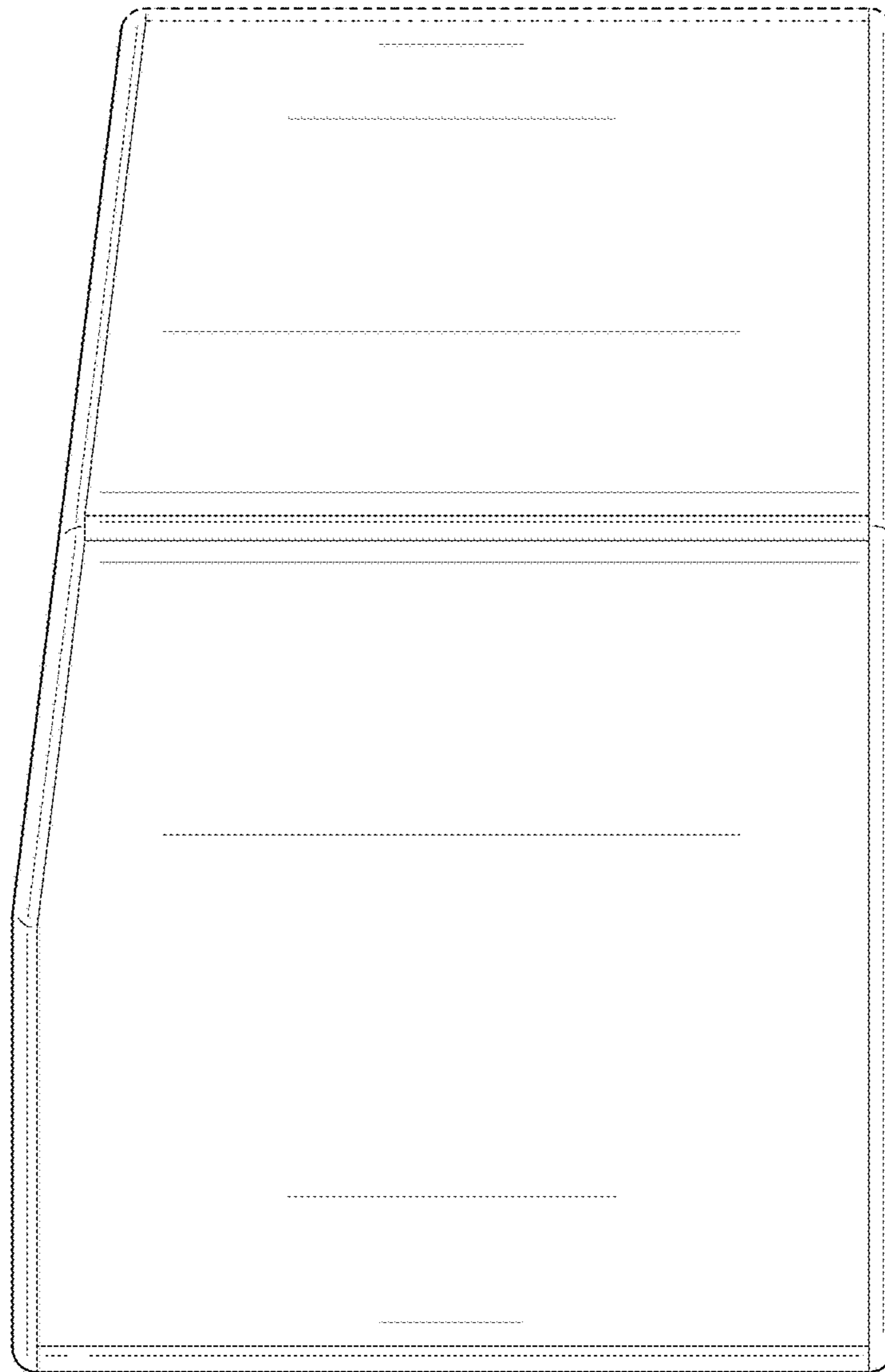


FIG. 4

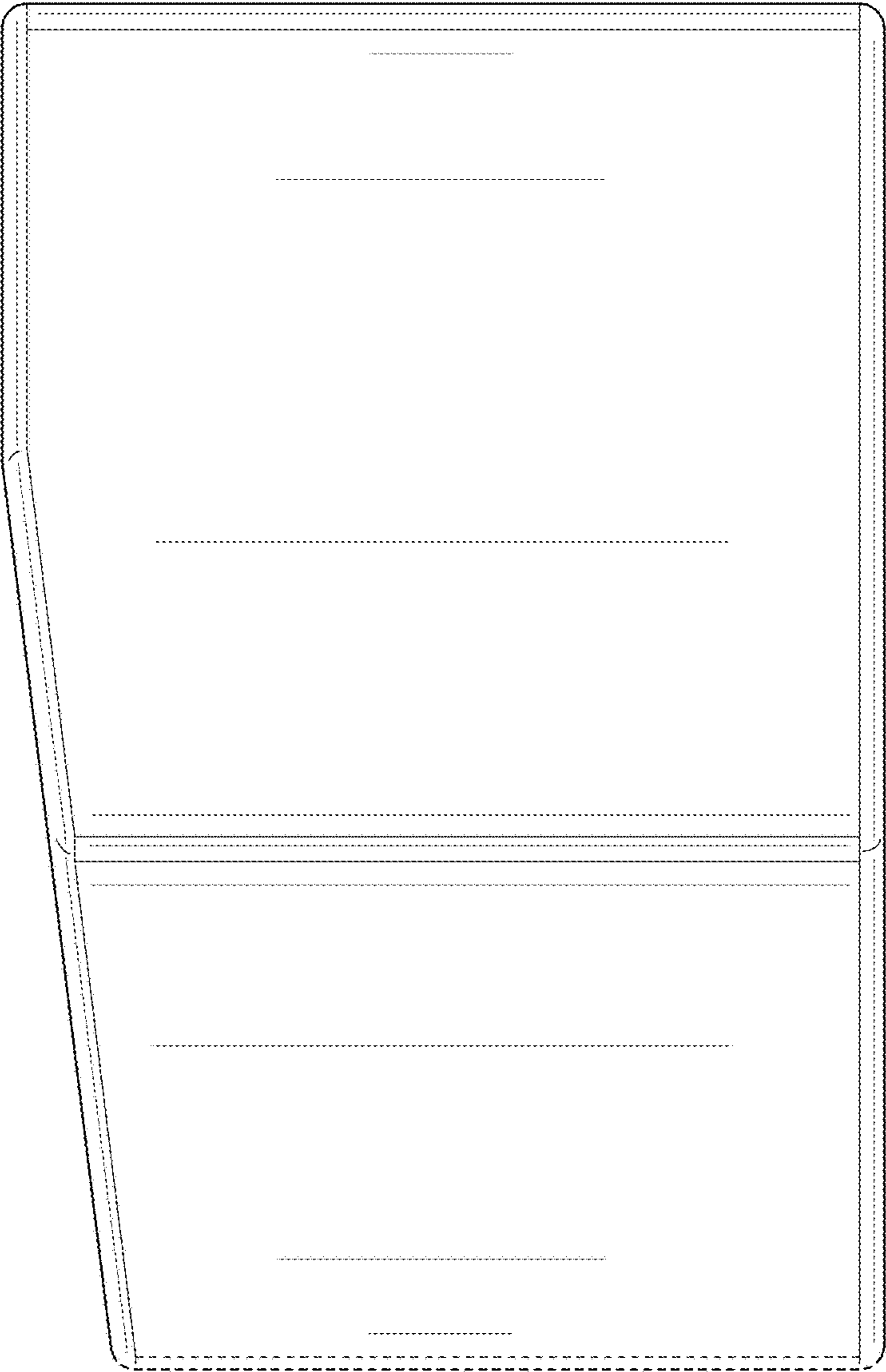


FIG. 5

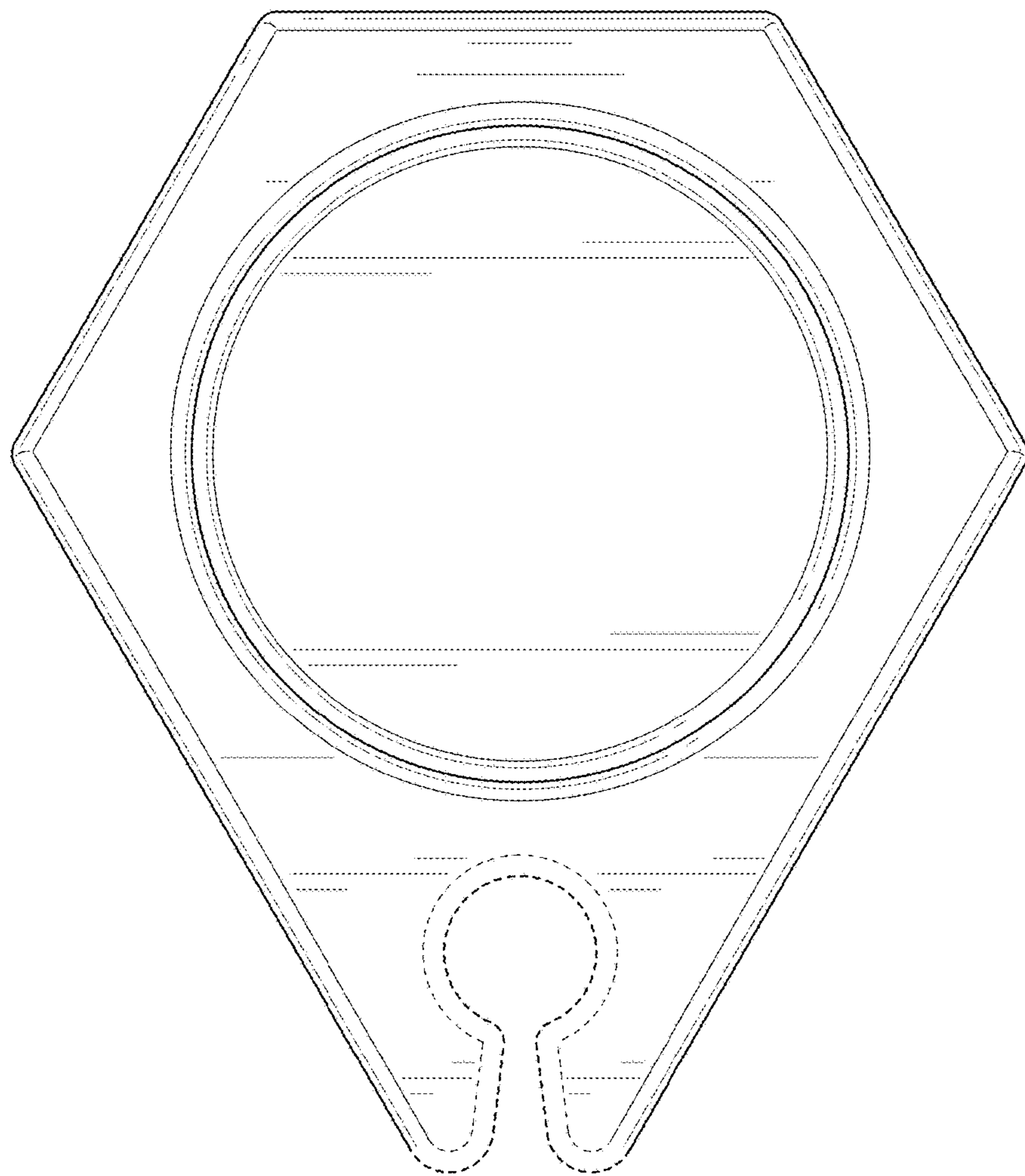


FIG. 6



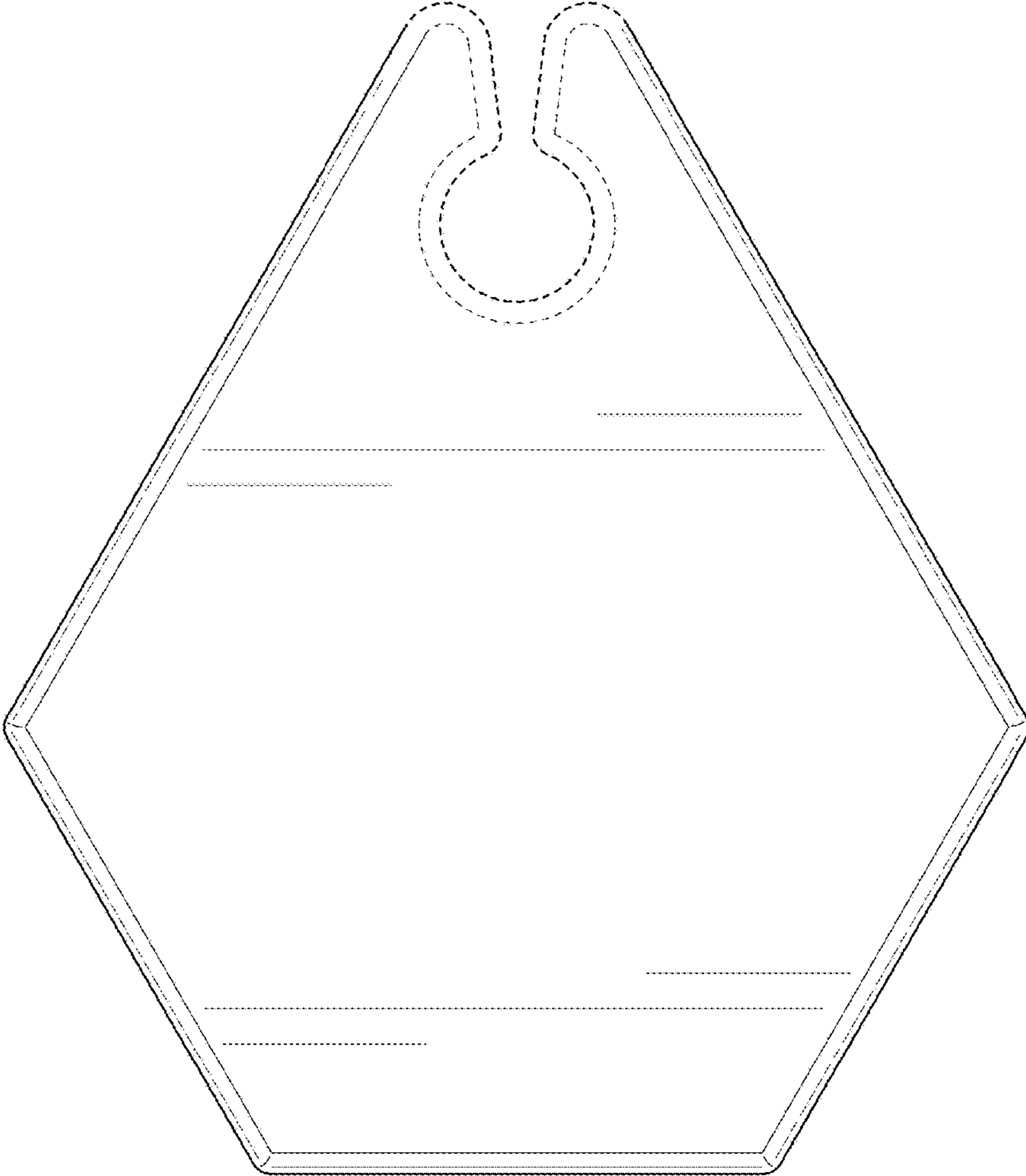


FIG. 7