



US00D850159S

(12) **United States Design Patent**  
**Lonstein**

(10) **Patent No.:** **US D850,159 S**  
(45) **Date of Patent:** **\*\* Jun. 4, 2019**

- (54) **MATTRESS**
- (71) Applicant: **Jeffco Fibres, Inc.**, Webster, MA (US)
- (72) Inventor: **Eric Lonstein**, Webster, MA (US)
- (73) Assignee: **Jeffco Fibres, Inc.**, Webster, MA (US)
- (\*\*) Term: **15 Years**
- (21) Appl. No.: **29/640,102**
- (22) Filed: **Mar. 12, 2018**
- (51) **LOC (11) Cl.** ..... **06-09**
- (52) **U.S. Cl.**  
USPC ..... **D6/605**
- (58) **Field of Classification Search**  
USPC ..... D6/595, 596, 604–606, 118, 902, 720;  
5/413 AM, 420, 690, 691, 697–701, 706,  
5/716–718, 722, 737, 740  
CPC ..... A47C 23/00; A47C 27/00; A47C 27/001;  
A47C 27/05; A47C 27/053; A47C  
27/056; A47C 27/06; A47C 27/14; A47C  
27/142  
See application file for complete search history.

(56) **References Cited**

**U.S. PATENT DOCUMENTS**

- 1,018,685 A \* 2/1912 Smith ..... A47C 27/05  
5/642
- 2,973,526 A \* 3/1961 Wetzler ..... A47C 21/022  
5/737
- D394,366 S \* 5/1998 Graebe ..... 5/653
- D659,459 S \* 5/2012 Jung ..... D6/605
- D665,615 S \* 8/2012 Frame, Jr. .... D6/606
- D687,249 S \* 8/2013 Price ..... D6/605

- D707,983 S \* 7/2014 Hughes ..... D6/605
- D707,986 S \* 7/2014 Arnold ..... D6/605
- D763,013 S \* 8/2016 Arnold ..... D6/606

**FOREIGN PATENT DOCUMENTS**

- CH 313521 A \* 4/1956 ..... A47C 27/05
- FR 1100124 A \* 9/1955 ..... A47C 27/05

\* cited by examiner

*Primary Examiner* — R. Johnson

(74) *Attorney, Agent, or Firm* — Burns & Levinson, LLP

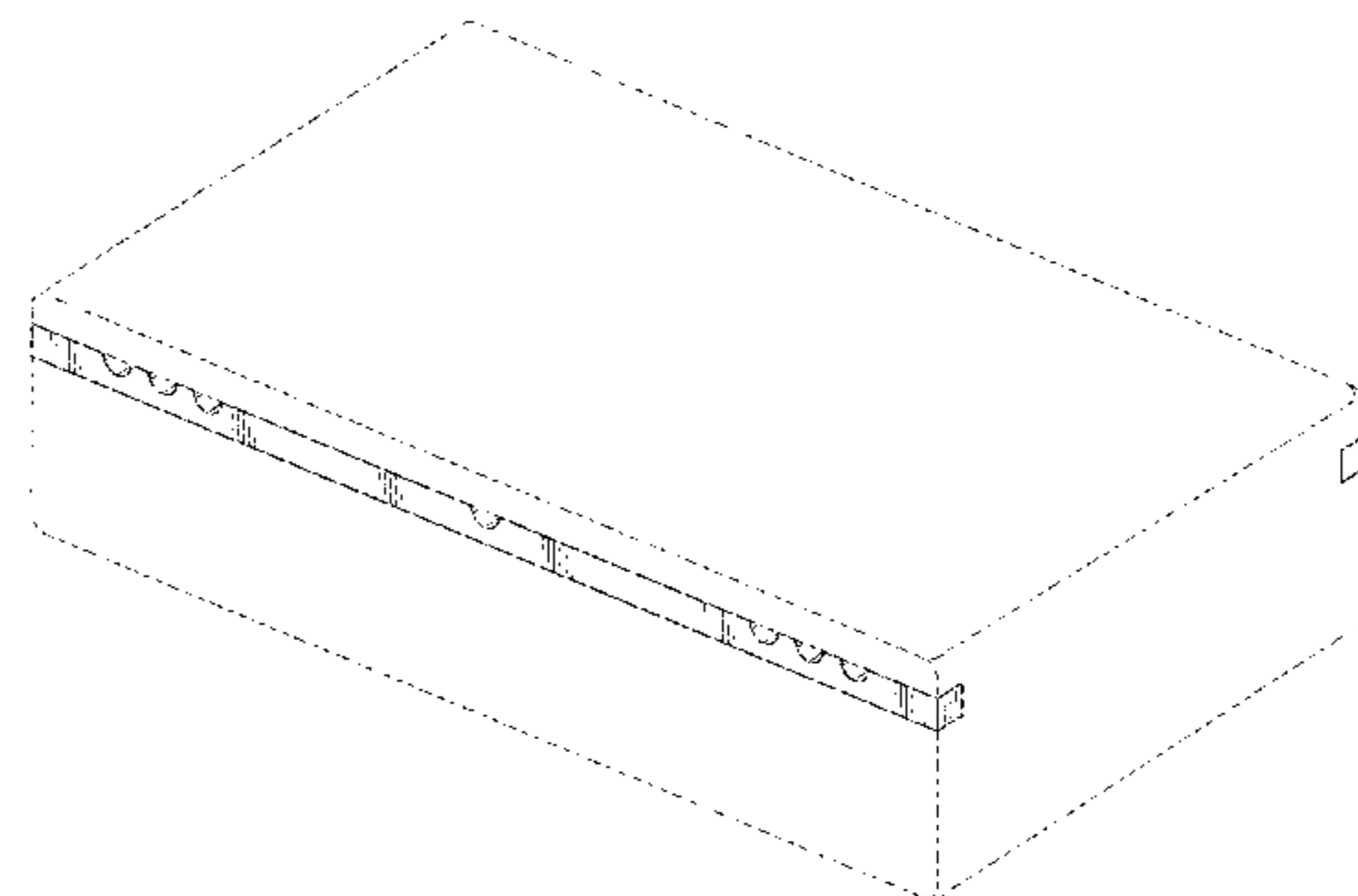
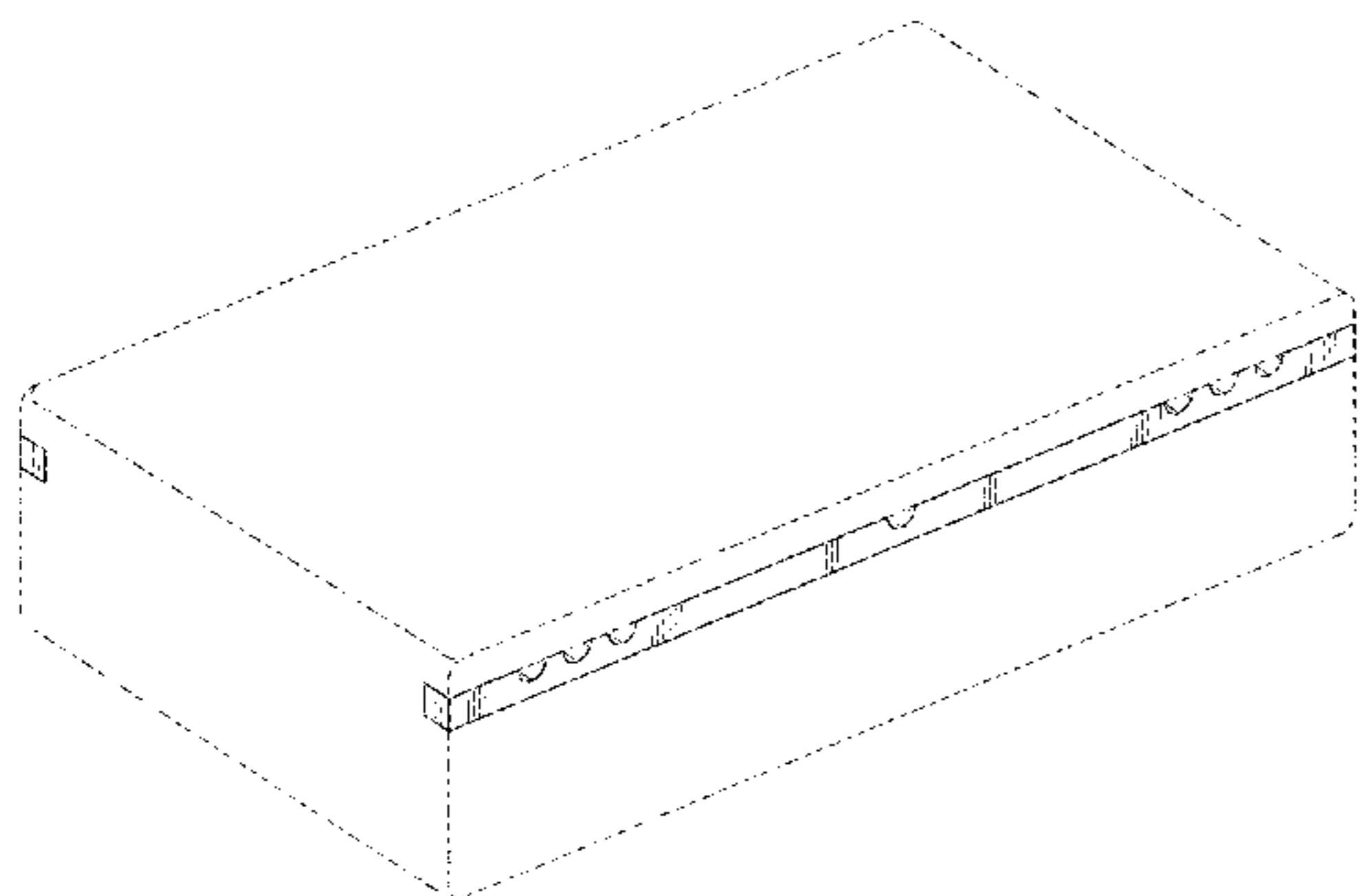
(57) **CLAIM**

The ornamental design for a mattress, as shown and described.

**DESCRIPTION**

FIG. 1 is a top end perspective view of a mattress in accordance with the new design;  
 FIG. 2 is a top opposite end perspective view of the mattress illustrated in FIG. 1;  
 FIG. 3 is an end elevational view of the mattress illustrated in FIG. 1, the opposite end is identical;  
 FIG. 4 is a left side elevational view of the mattress illustrated in FIG. 1;  
 FIG. 5 is a right side elevational view of the mattress illustrated in FIG. 1;  
 FIG. 6 is a top plan view of the mattress illustrated in FIG. 1;  
 FIG. 7 is a bottom plan view of the mattress illustrated in FIG. 1; and,  
 FIG. 8 is a cross-sectional view taken from line '8-8' in FIG. 6.  
 Any broken line illustration of environmental structure in the drawing is not part of the design sought to be patented.

**1 Claim, 7 Drawing Sheets**



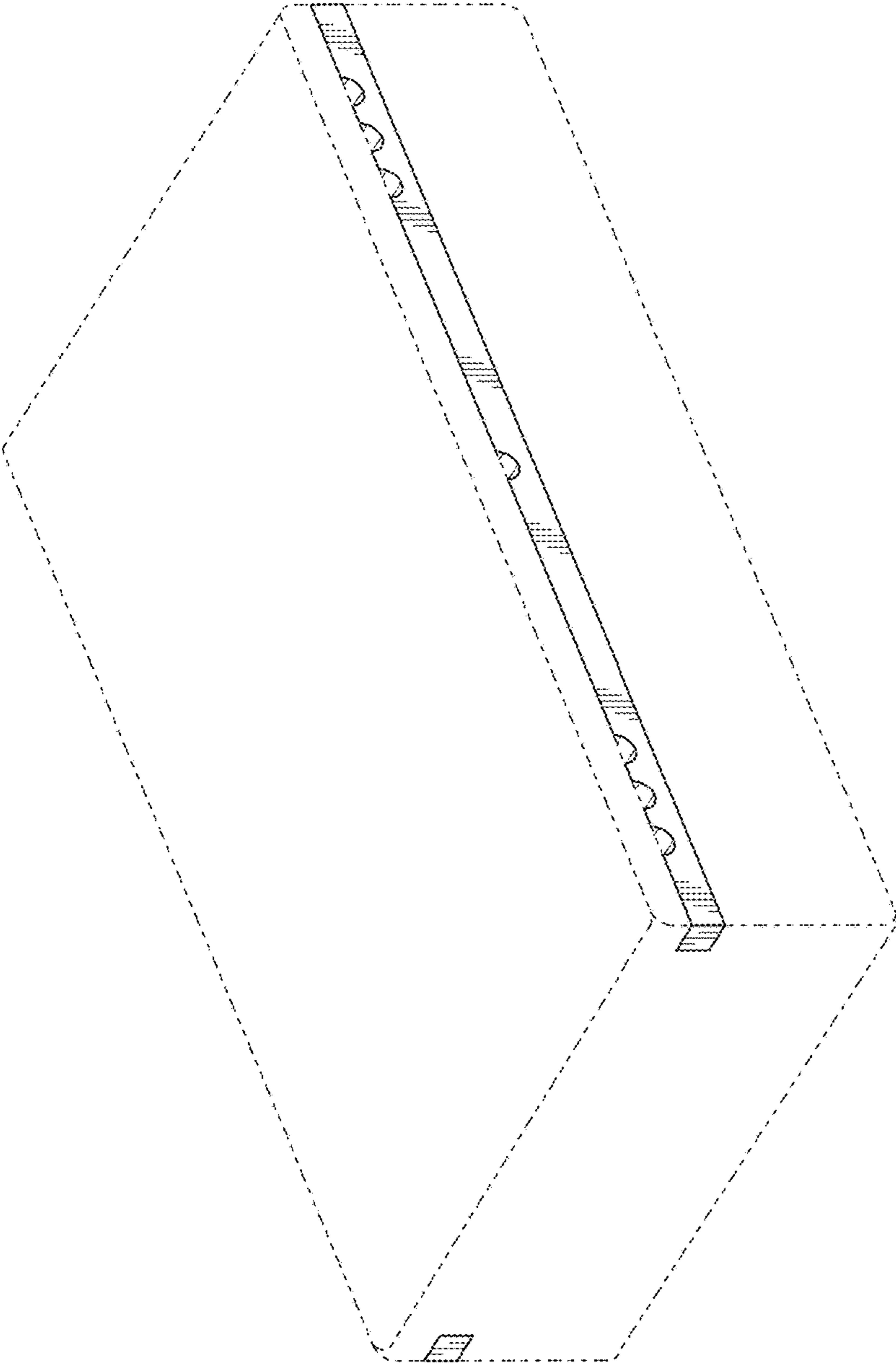


FIG. 1

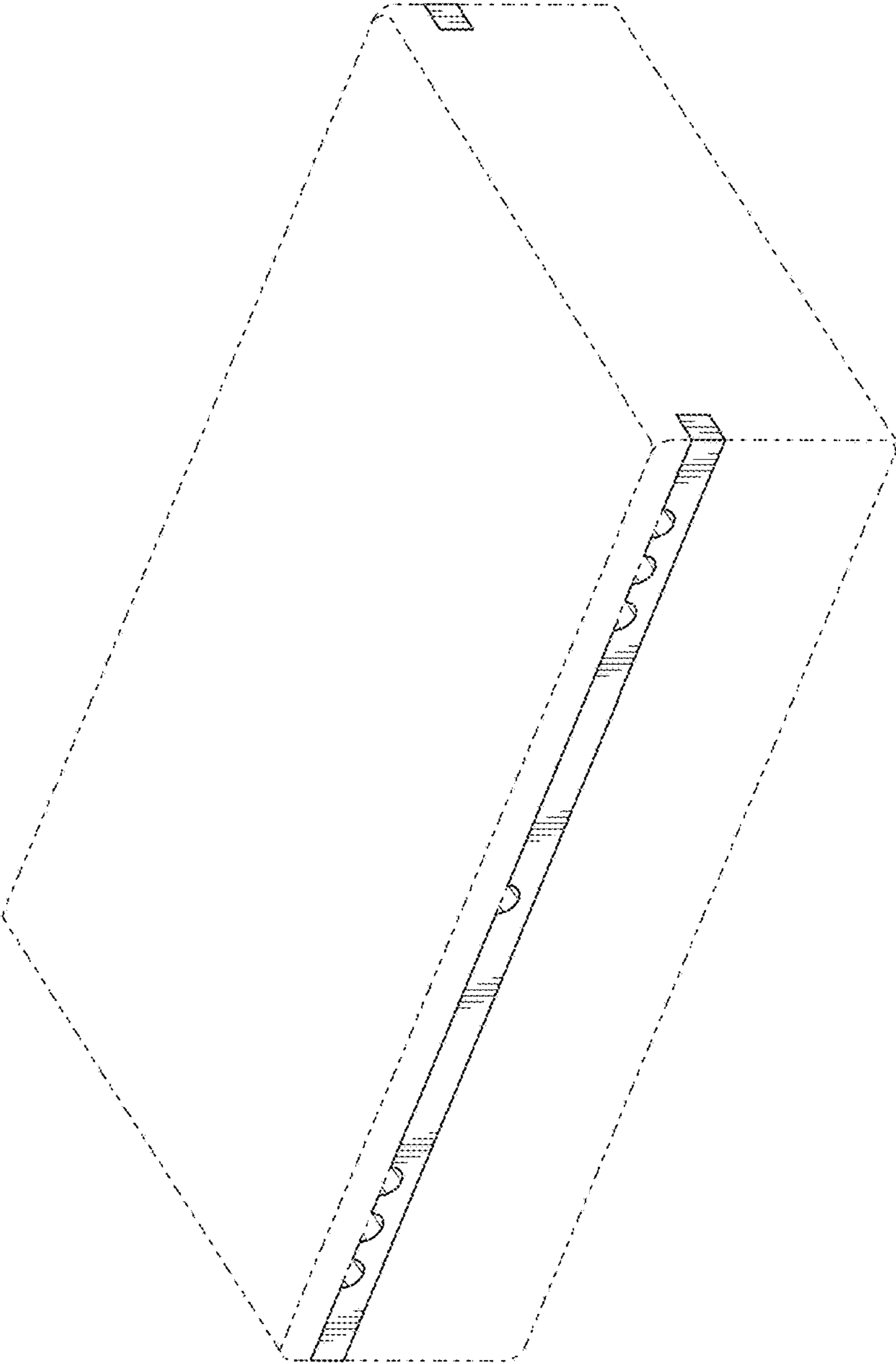


FIG. 2

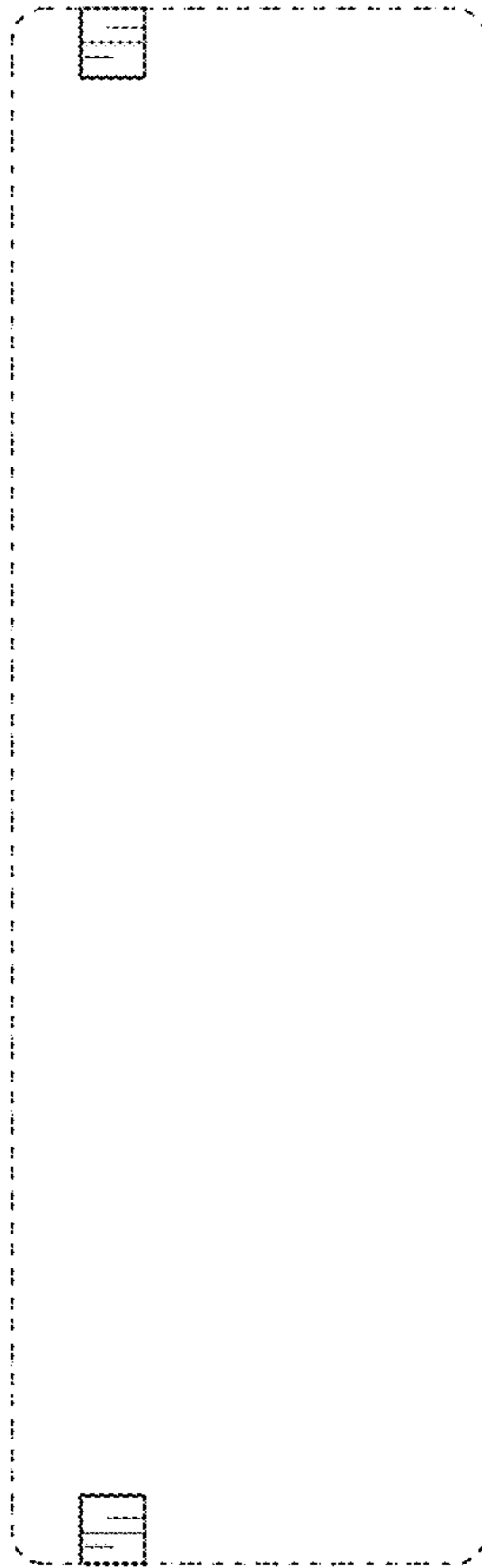


FIG. 3

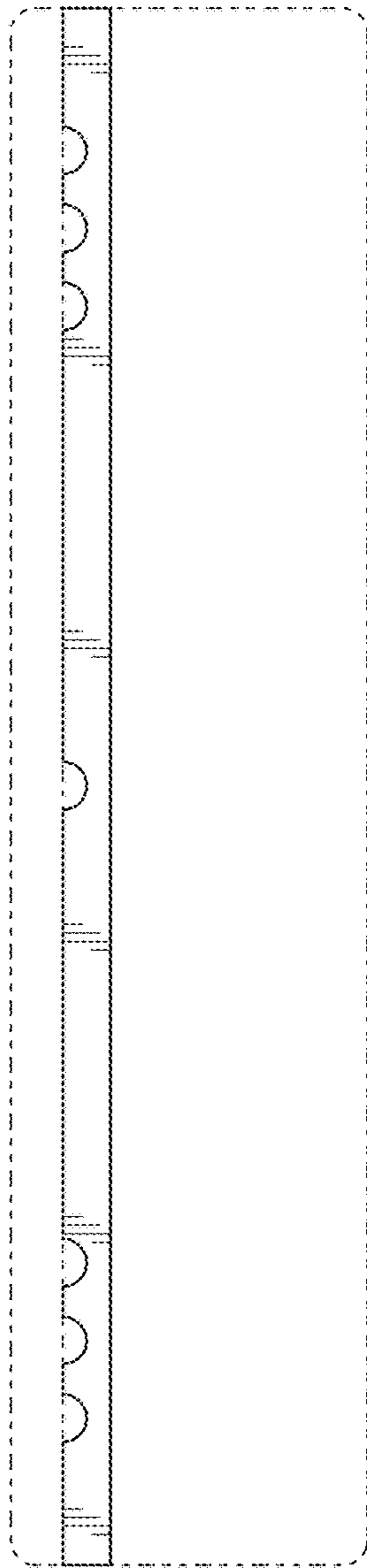


FIG. 4

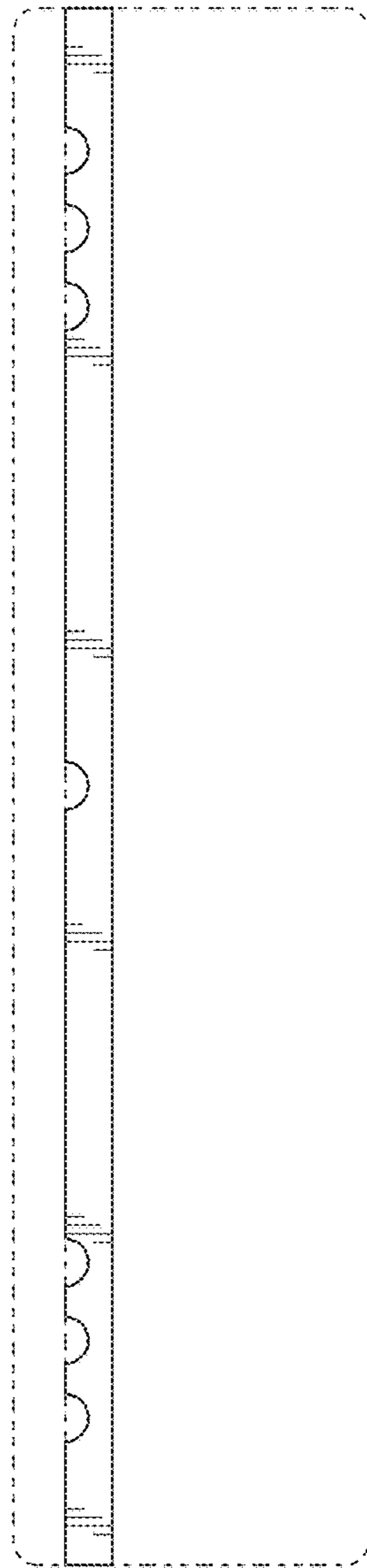


FIG. 5

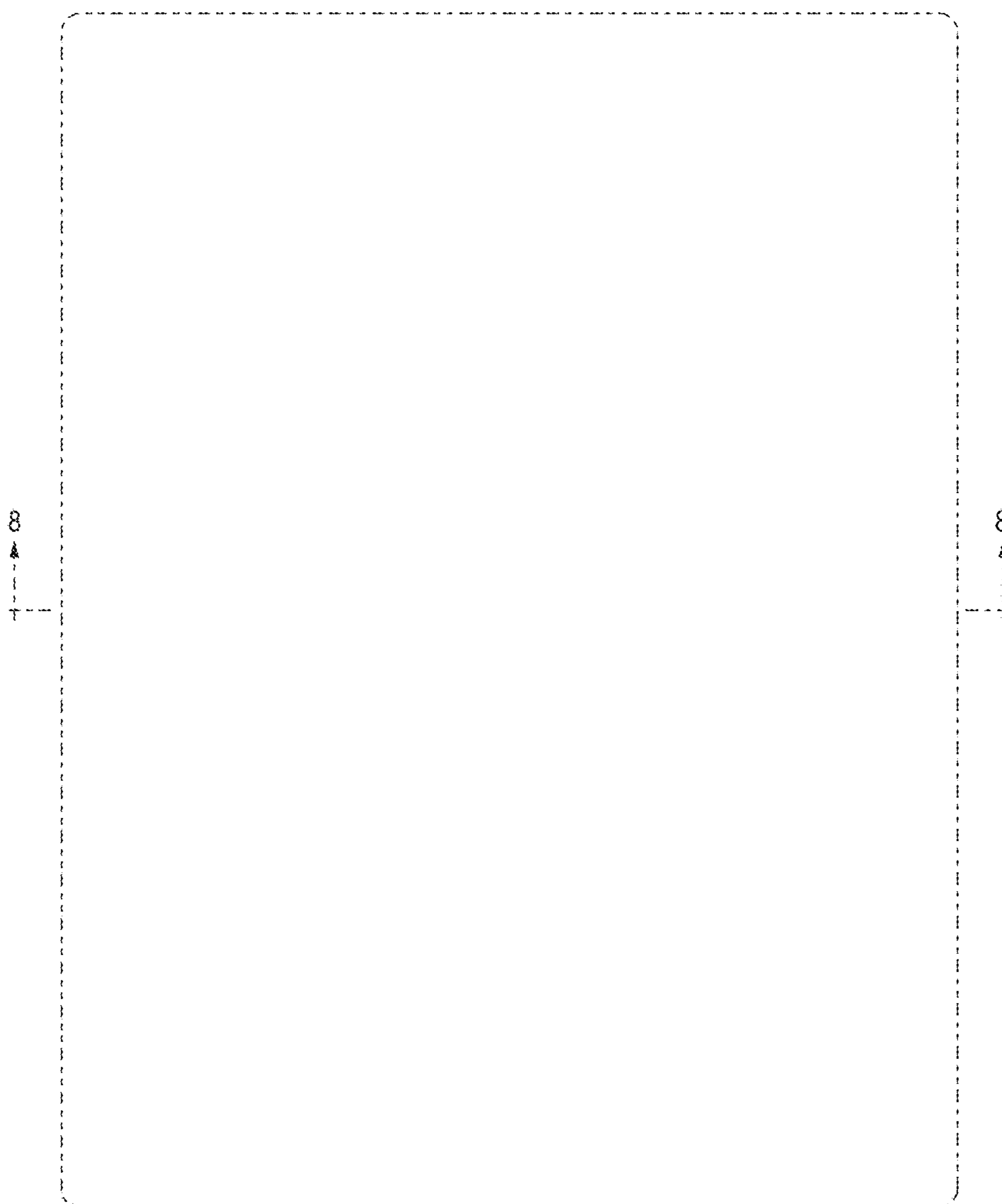


FIG. 6



FIG. 7

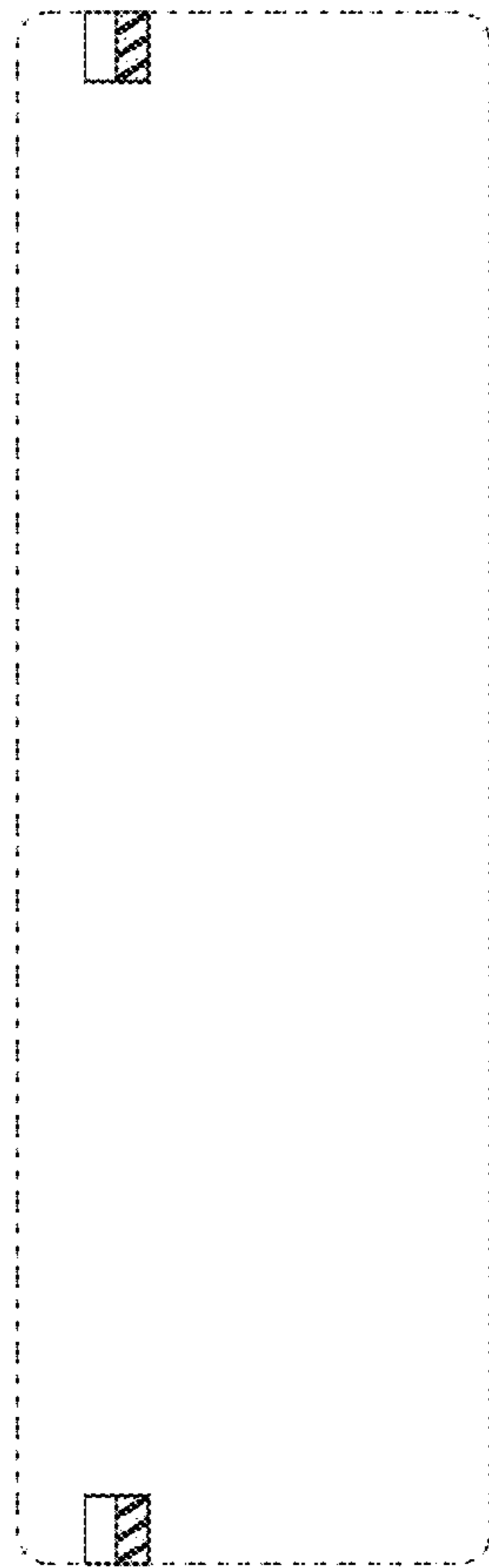


FIG. 8