



US00D850154S

(12) **United States Design Patent** (10) **Patent No.:** **US D850,154 S**
Gilroy (45) **Date of Patent:** **** Jun. 4, 2019**

- (54) **TRAVEL PILLOW**
- (71) Applicant: **SkySiesta LLC**, Redmond, WA (US)
- (72) Inventor: **Kalpana Gilroy**, Redmond, WA (US)
- (73) Assignee: **SkySiesta LLC**, Redmond, WA (US)
- (**) Term: **15 Years**
- (21) Appl. No.: **29/611,054**
- (22) Filed: **Jul. 18, 2017**
- (51) **LOC (11) Cl.** **06-09**
- (52) **U.S. Cl.**
USPC **D6/601**
- (58) **Field of Classification Search**
USPC D6/595-601, 604, 606; D24/183, 190;
D21/803, 809
CPC A47C 20/00; A47C 20/021; A47D 15/001;
A47D 15/008; A47G 9/00; A47G 9/10
See application file for complete search history.

- D604,549 S * 11/2009 Yaroshenko D6/601
 - 7,874,032 B2 * 1/2011 North A47C 20/02
5/630
 - D636,452 S * 4/2011 Majors D21/803
 - D652,239 S * 1/2012 Governale D6/601
 - D672,420 S * 12/2012 Rominger D21/803
- (Continued)

OTHER PUBLICATIONS

SkySiesta SNUG Travel Pillow. Amazon.com. Product first reviewed on Feb. 17, 2017. Found on the Internet at: https://www.amazon.com/SkySiesta-Travel-Pillow-L-Shaped-Supports/product-reviews/B01N6MJ3QI/ref=cm_cr_getr_d_paging_btm_next_20?ie=UTF...

Primary Examiner — Mary Ann Calabrese
Assistant Examiner — Jennifer L Rempfer
(74) *Attorney, Agent, or Firm* — Seed IP Law Group LLP

(57) **CLAIM**

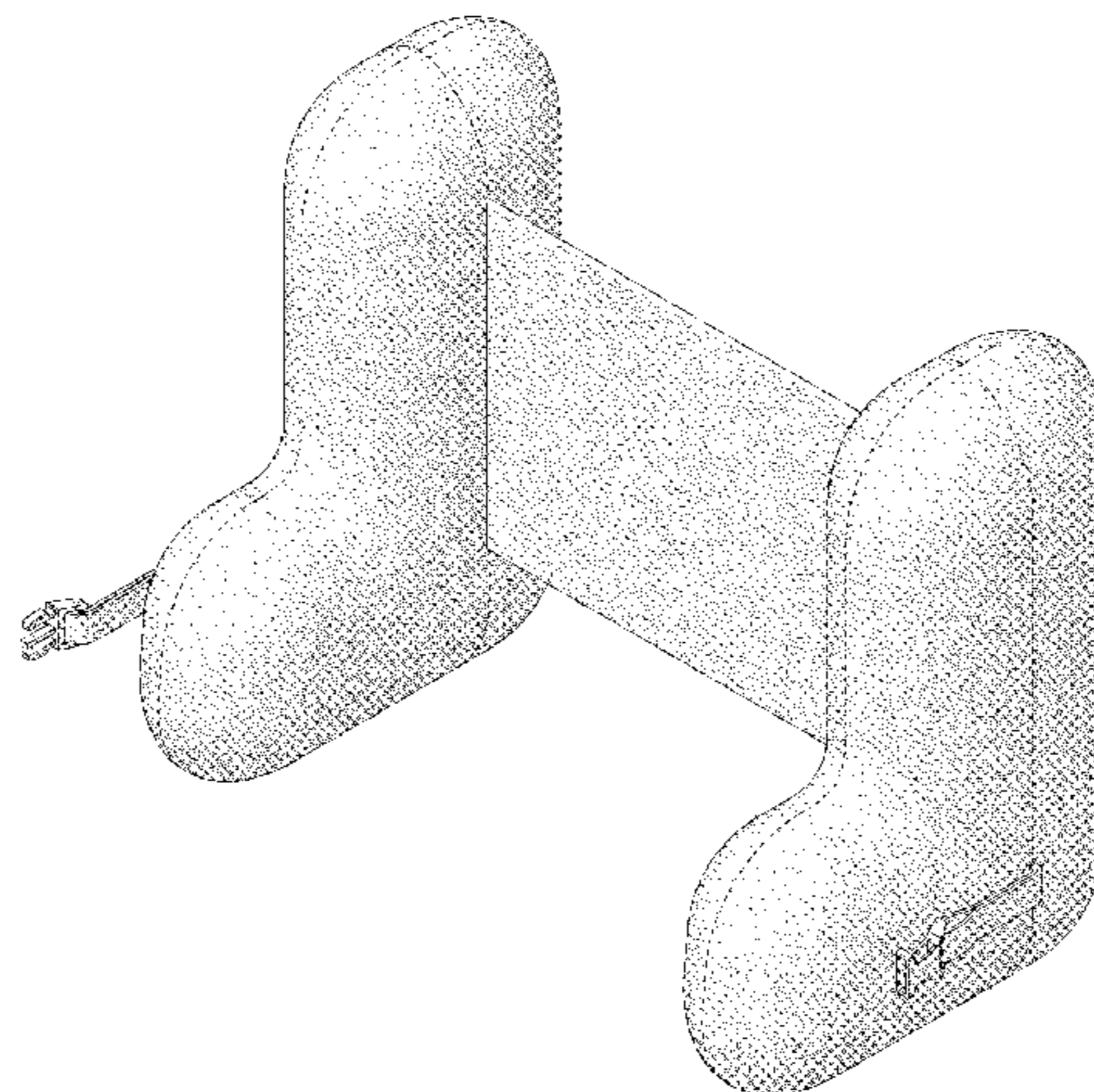
The ornamental design for a travel pillow, as shown and described.

DESCRIPTION

FIG. 1 is an isometric view of a travel pillow showing my new design from one perspective.
FIG. 2 is an isometric view thereof from another perspective.
FIG. 3 is a front elevational view thereof.
FIG. 4 is a rear elevational view thereof.
FIG. 5 is a left side elevational view thereof.
FIG. 6 is a right side elevational view thereof.
FIG. 7 is a top plan view thereof; and,
FIG. 8 is a bottom plan view thereof.
Stippling shown in the drawings is intended to represent the three-dimensional contour of the design, and is not intended to indicate surface decoration. The broken lines in the figures are for illustrative purposes only and form no part of the claimed design.

1 Claim, 5 Drawing Sheets

- (56) **References Cited**
- U.S. PATENT DOCUMENTS**
- 4,274,673 A * 6/1981 Kifferstein A47C 7/383
297/220
- 5,182,828 A * 2/1993 Alivizatos A47C 20/025
5/631
- 5,359,739 A 11/1994 Rains et al.
- 5,499,418 A * 3/1996 Tan A47D 13/08
5/655
- D370,956 S 6/1996 Pery
- D389,359 S * 1/1998 Nowak 5/655
- D405,308 S * 2/1999 Orozco D6/601
- D458,503 S * 6/2002 Norman D6/601
- D474,059 S * 5/2003 Cartwright D6/601
- 6,560,800 B1 5/2003 Draves
- D485,724 S * 1/2004 Morikawa D6/601
- 6,886,201 B1 * 5/2005 Weiss-Lohrei A47C 20/021
5/490
- D523,679 S * 6/2006 Illingworth D6/601
- 7,086,101 B2 8/2006 Welch et al.
- D528,707 S 9/2006 Deioma



(56)

References Cited

U.S. PATENT DOCUMENTS

D728,970 S * 5/2015 Gilroy A47C 7/383
D6/601
D746,613 S * 1/2016 DeRosa D6/601
2011/0016633 A1 1/2011 Eason

* cited by examiner

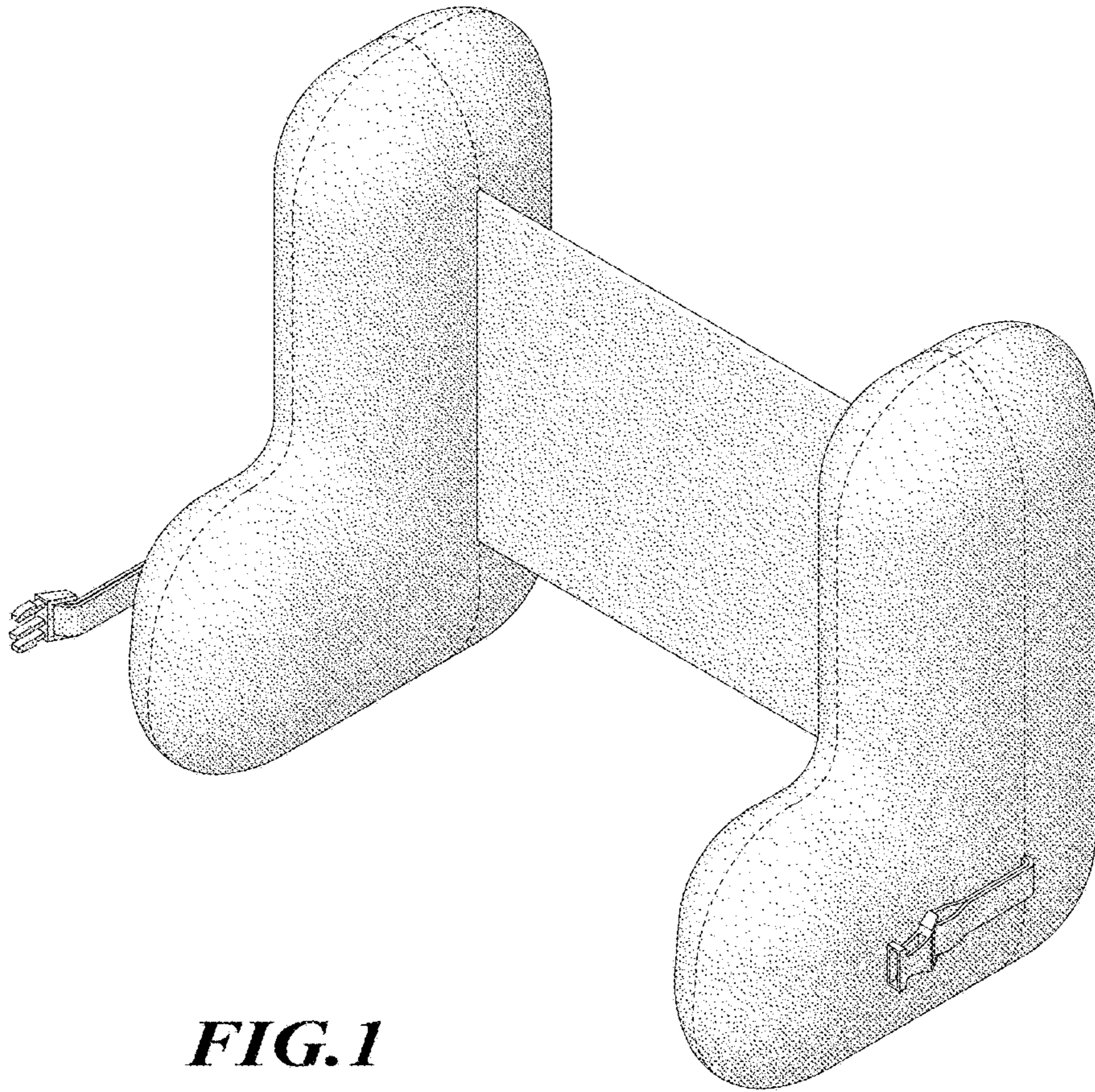


FIG. 1

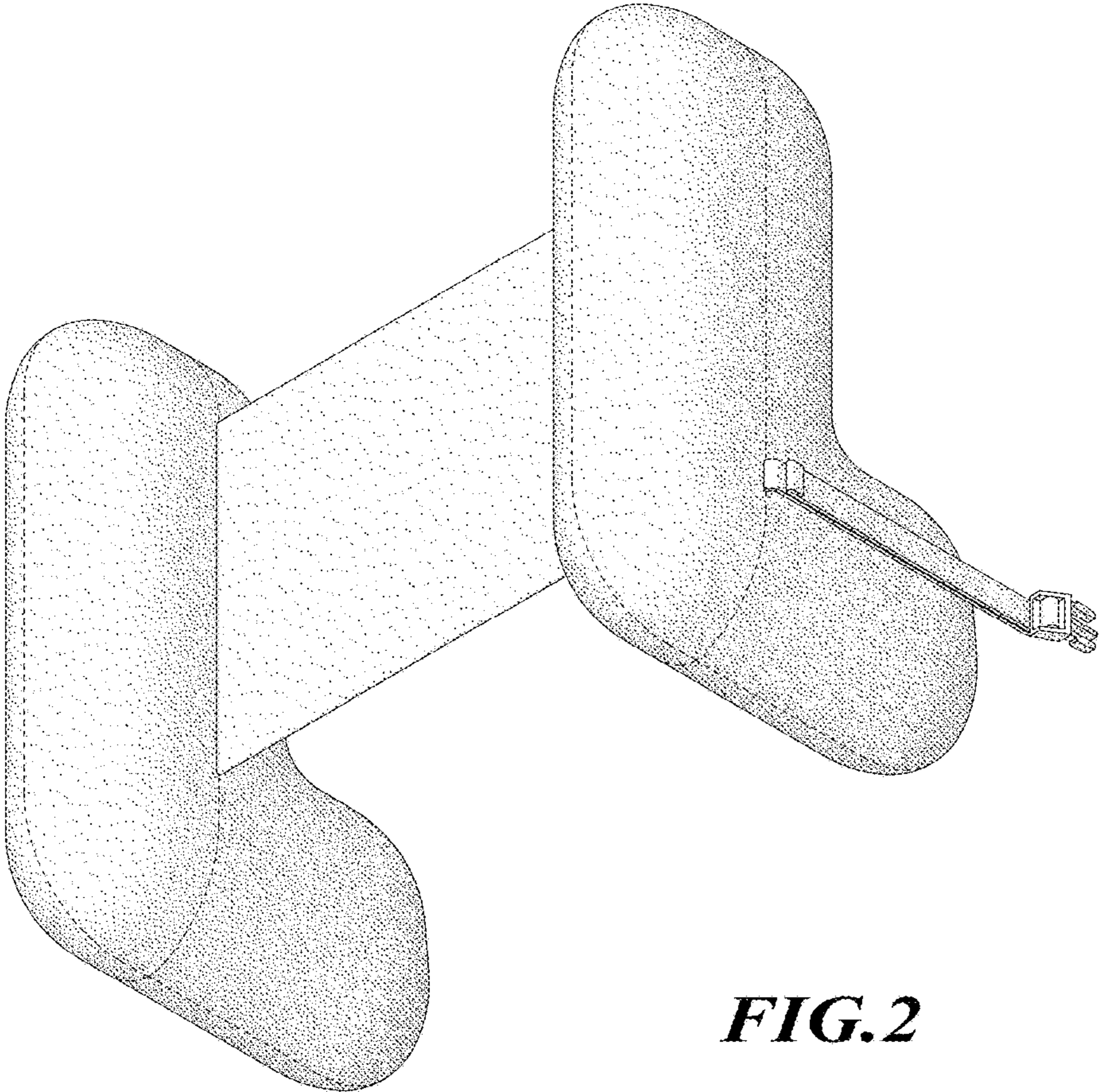
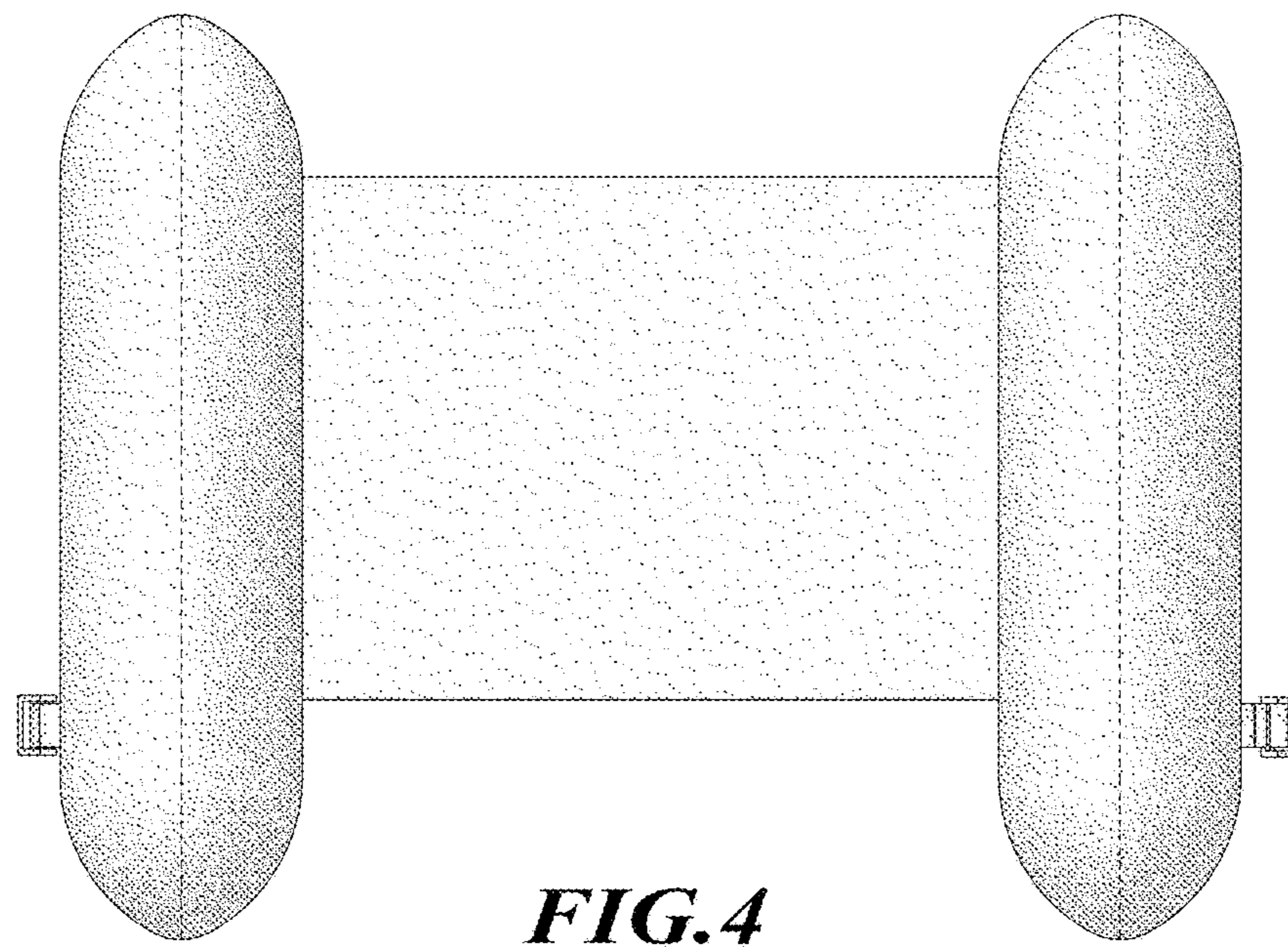
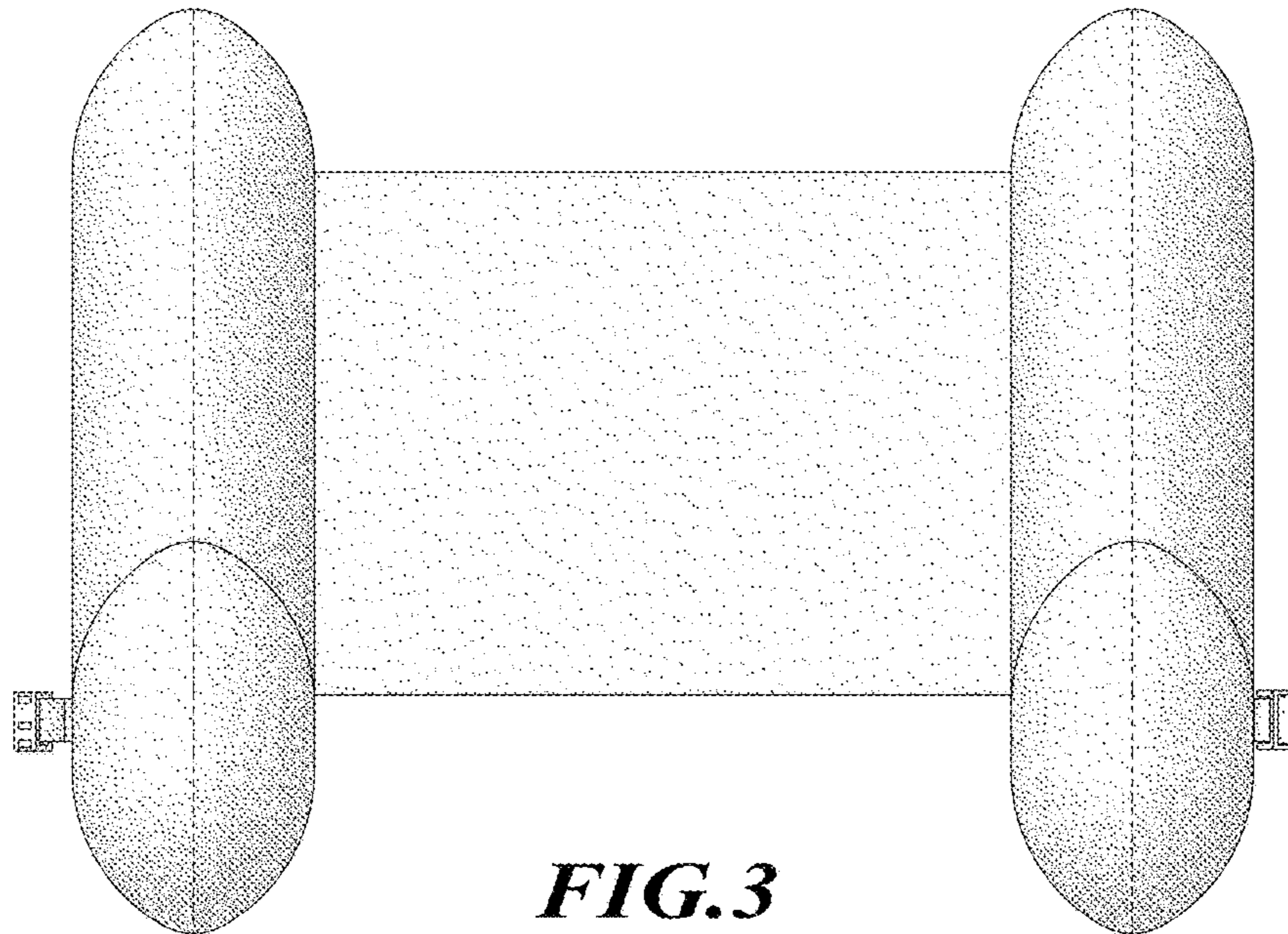


FIG. 2



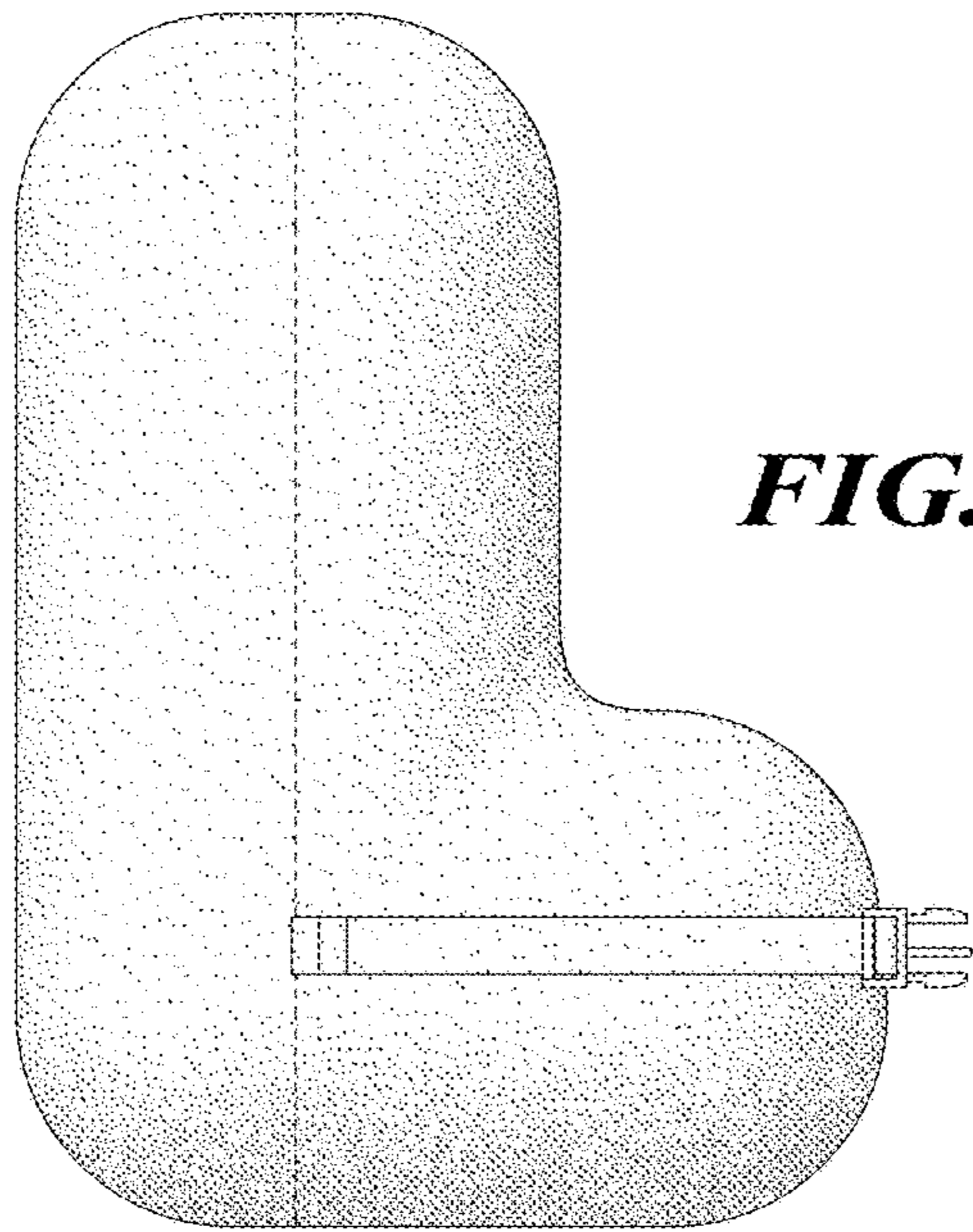


FIG. 5

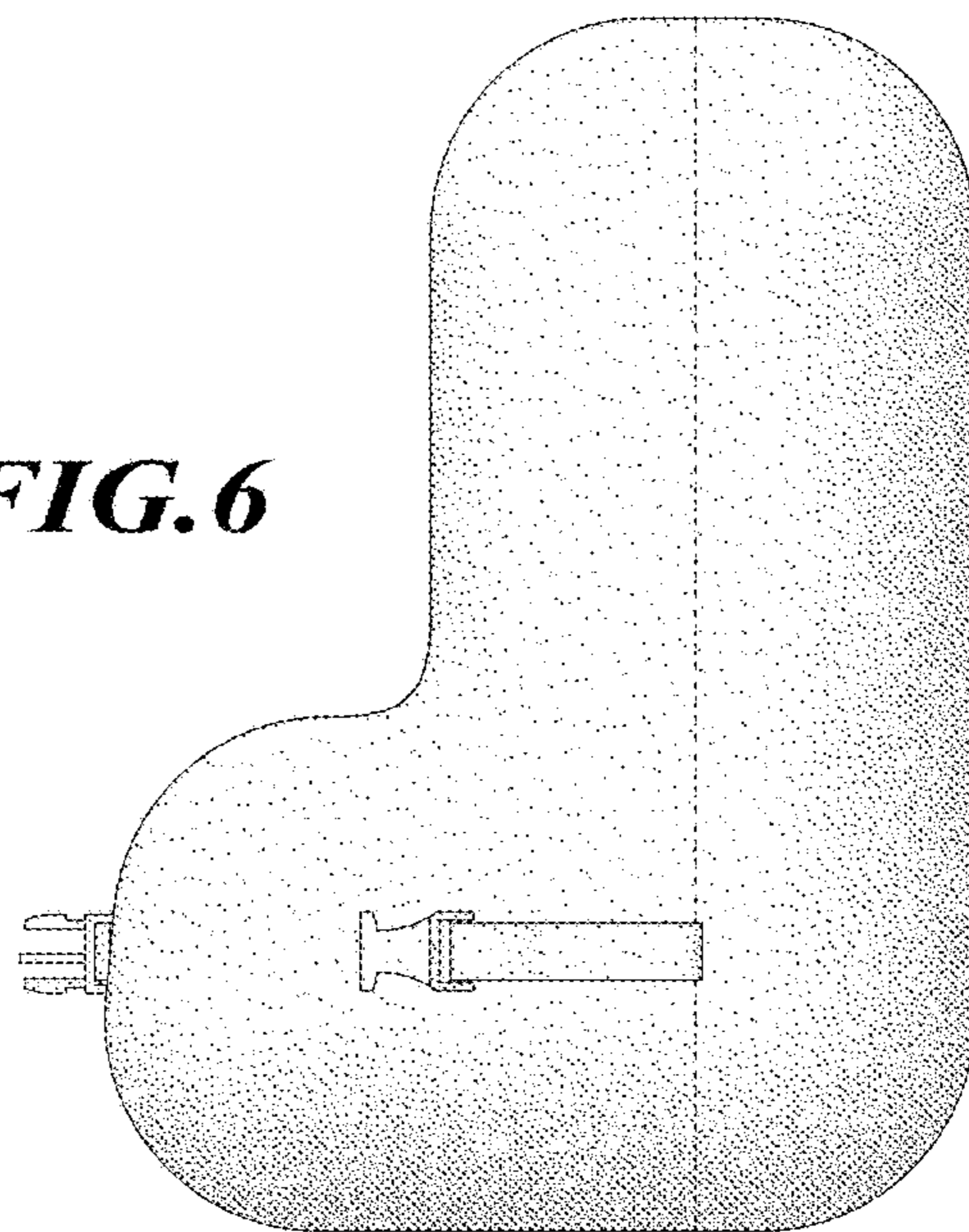


FIG. 6

