



US00D850150S

(12) **United States Design Patent** (10) **Patent No.:** **US D850,150 S**
Kuc (45) **Date of Patent:** **** Jun. 4, 2019**

(54) **EXTENDED TOWEL RING**
(71) Applicant: **Iwona Kuc**, Rockford, IL (US)
(72) Inventor: **Iwona Kuc**, Rockford, IL (US)
(**) Term: **15 Years**
(21) Appl. No.: **29/630,231**
(22) Filed: **Dec. 20, 2017**

D391,105 S * 2/1998 Sharpe D6/546
D394,969 S * 6/1998 Ho D6/524
D409,030 S * 5/1999 Sweetman D6/546
D417,994 S * 12/1999 Roth D6/546
D441,239 S * 5/2001 Moore D6/546
D441,582 S * 5/2001 Moore D6/546
D450,507 S * 11/2001 Sun D6/546
D450,508 S * 11/2001 Simonsen D6/513
D450,509 S * 11/2001 Gottwald D6/546
D455,926 S * 4/2002 Ou-Young D6/546
D461,672 S * 8/2002 Zhao D6/546
D464,832 S * 10/2002 Moore D6/546
D464,833 S * 10/2002 Ouyoung D6/546
D465,368 S * 11/2002 Moore D6/546

(Continued)

Related U.S. Application Data

(63) Continuation-in-part of application No. 29/623,504, filed on Oct. 25, 2017.
(51) **LOC (11) Cl.** **06-04**
(52) **U.S. Cl.**
USPC **D6/546**
(58) **Field of Classification Search**
USPC D6/546-550, 518-524; 211/13.1, 16, 211/85.5, 86.01, 87.01, 88.04, 110, 105.1, 211/105.2, 106, 113, 123, 181.1, 211/182-183; 248/49, 175, 176.1, 200, 248/201, 205.1, 251, 302, 309.1, 315; D8/300, 370, 315; 108/28-29; 242/570, 242/590, 595-598
CPC A47K 10/04; A47K 10/00
See application file for complete search history.

OTHER PUBLICATIONS

https://www.etsy.com/listing/586330325/modern-towel-ring-for-bathroom-modern?ref=shop_home_active_7.

Primary Examiner — David G Muller
Assistant Examiner — Nathan M Johnston
(74) *Attorney, Agent, or Firm* — Mitchell Law PLLC; Matthew W. Mitchell

(57) **CLAIM**

The ornamental design for an extended towel ring, as shown and described.

DESCRIPTION

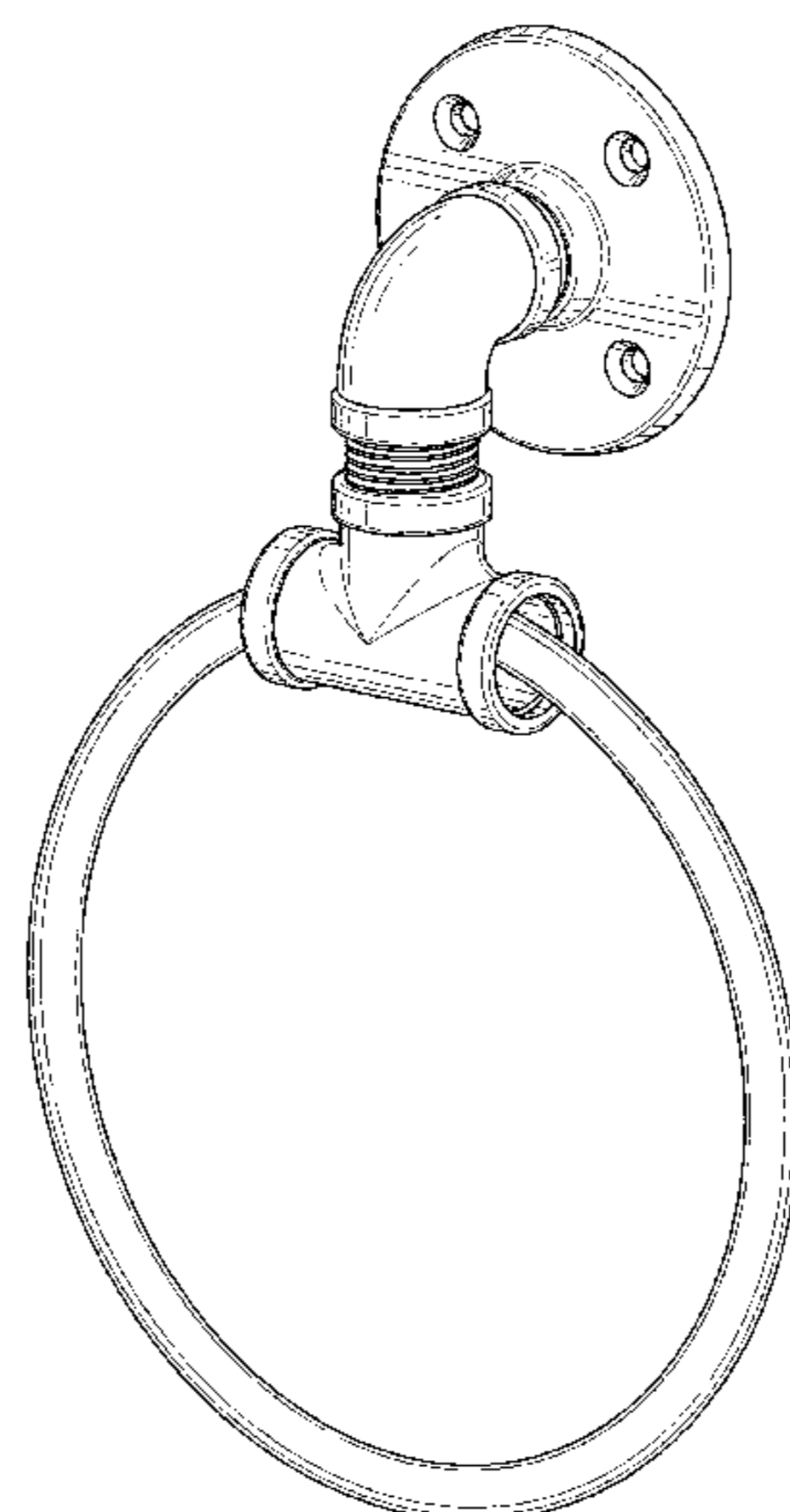
FIG. 1 is a front isometric view of an extended towel ring showing my new design;
FIG. 2 is a front elevation view thereof;
FIG. 3 is a rear elevation view thereof;
FIG. 4 is a right side elevation view thereof;
FIG. 5 is a left side elevation view thereof;
FIG. 6 is a top plan view thereof; and,
FIG. 7 is a bottom plan view thereof.
Portions of the towel ring of FIG. 3, indicated by broken lines, form no part of the claimed design.

1 Claim, 7 Drawing Sheets

(56) **References Cited**

U.S. PATENT DOCUMENTS

D259,754 S * 7/1981 Fleischmann D6/546
4,907,771 A * 3/1990 Wang A47G 25/06
248/222.14
5,026,012 A * 6/1991 Wang A47K 10/10
248/222.14
D357,378 S * 4/1995 Lehn D6/546
D357,838 S * 5/1995 Lehn D6/546
D357,839 S * 5/1995 Lehn D6/546
D360,792 S * 8/1995 Sharpe D6/546
D362,615 S * 9/1995 Shames D6/524
D388,271 S * 12/1997 Moore D6/546



(56)

References Cited

U.S. PATENT DOCUMENTS

D477,735	S	*	7/2003	Solowiej	D6/546
D484,722	S	*	1/2004	Goodman	D6/546
D498,960	S	*	11/2004	Fahy	D6/546
D505,819	S	*	6/2005	Hoernig	D6/546
D512,593	S	*	12/2005	Ferrer Beltran	D6/546
D513,459	S	*	1/2006	Ferrer Beltran	D6/546
D528,837	S	*	9/2006	Fields	D6/546
D529,741	S	*	10/2006	Hoernig	D6/546
D540,085	S	*	4/2007	Krumpe	D6/546
D577,938	S	*	10/2008	Krumpe	D6/546
D600,480	S	*	9/2009	Koury	D6/546
D600,481	S	*	9/2009	Yoo	D6/546
D600,960	S	*	9/2009	Krumpe	D6/546
D632,112	S	*	2/2011	Sakuma	D6/546
D771,407	S	*	11/2016	Georgeson	D6/546
2004/0265535	A1	*	12/2004	Chen	A47K 10/04 428/99

* cited by examiner

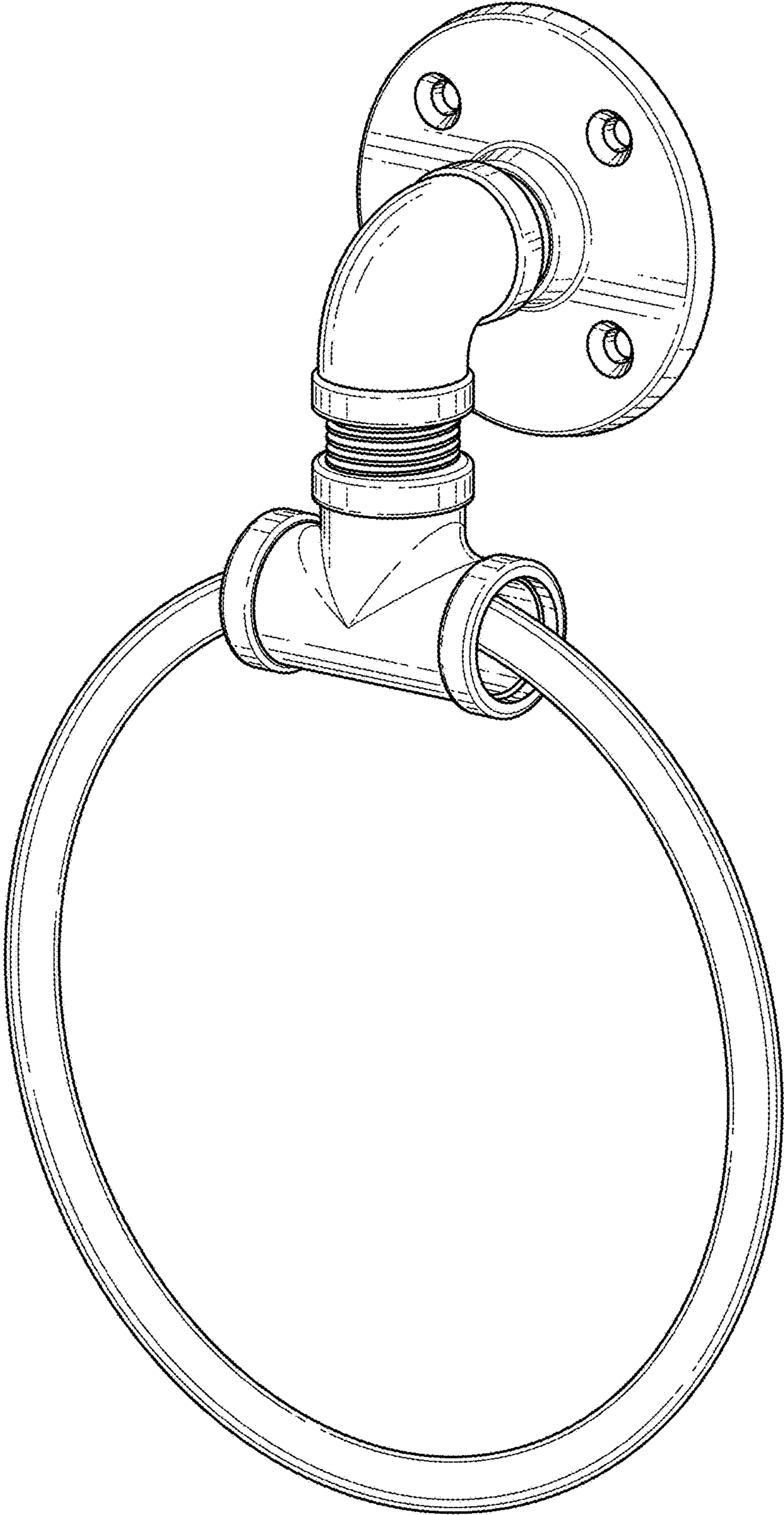


FIG. 1

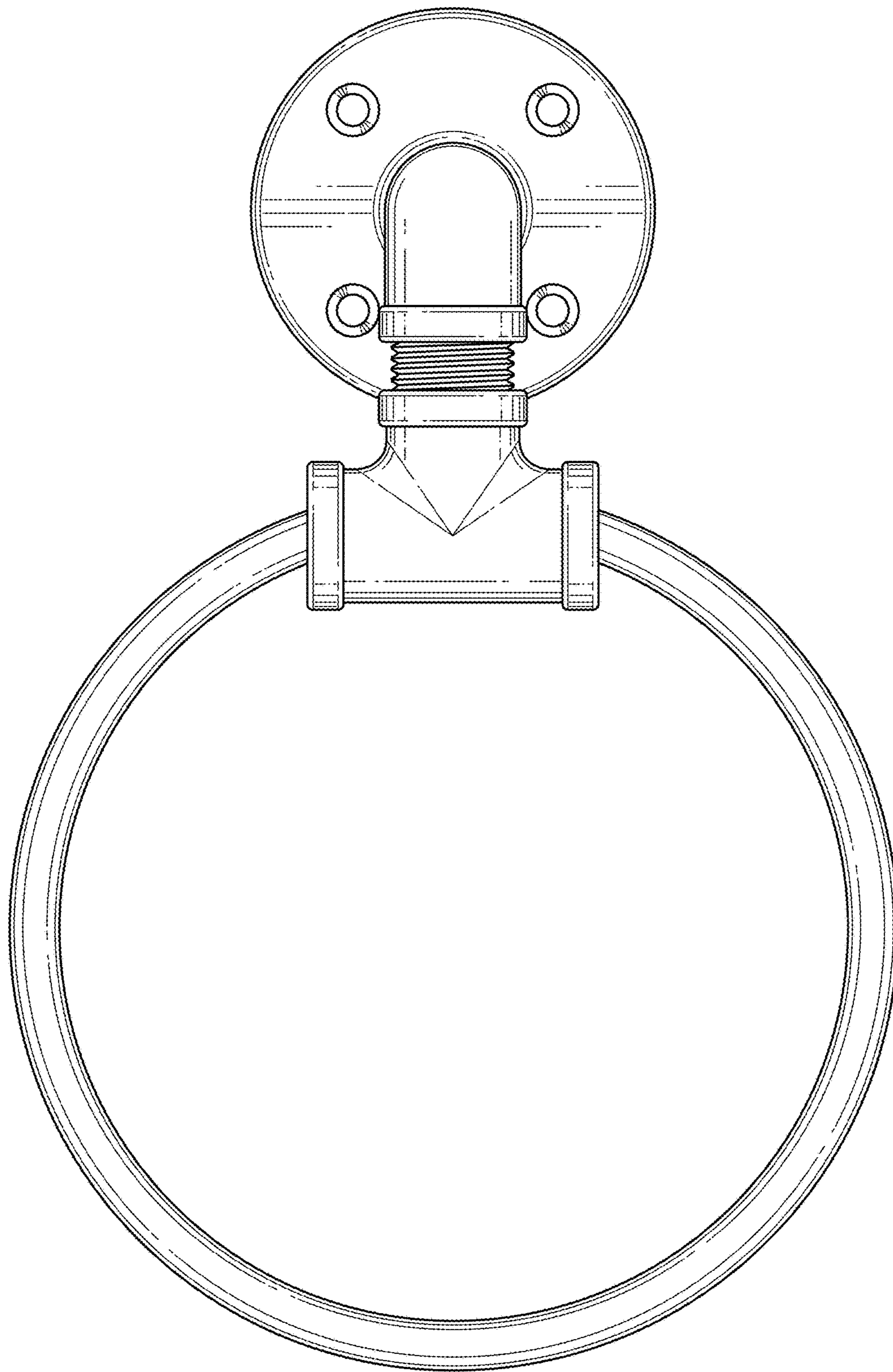


FIG. 2

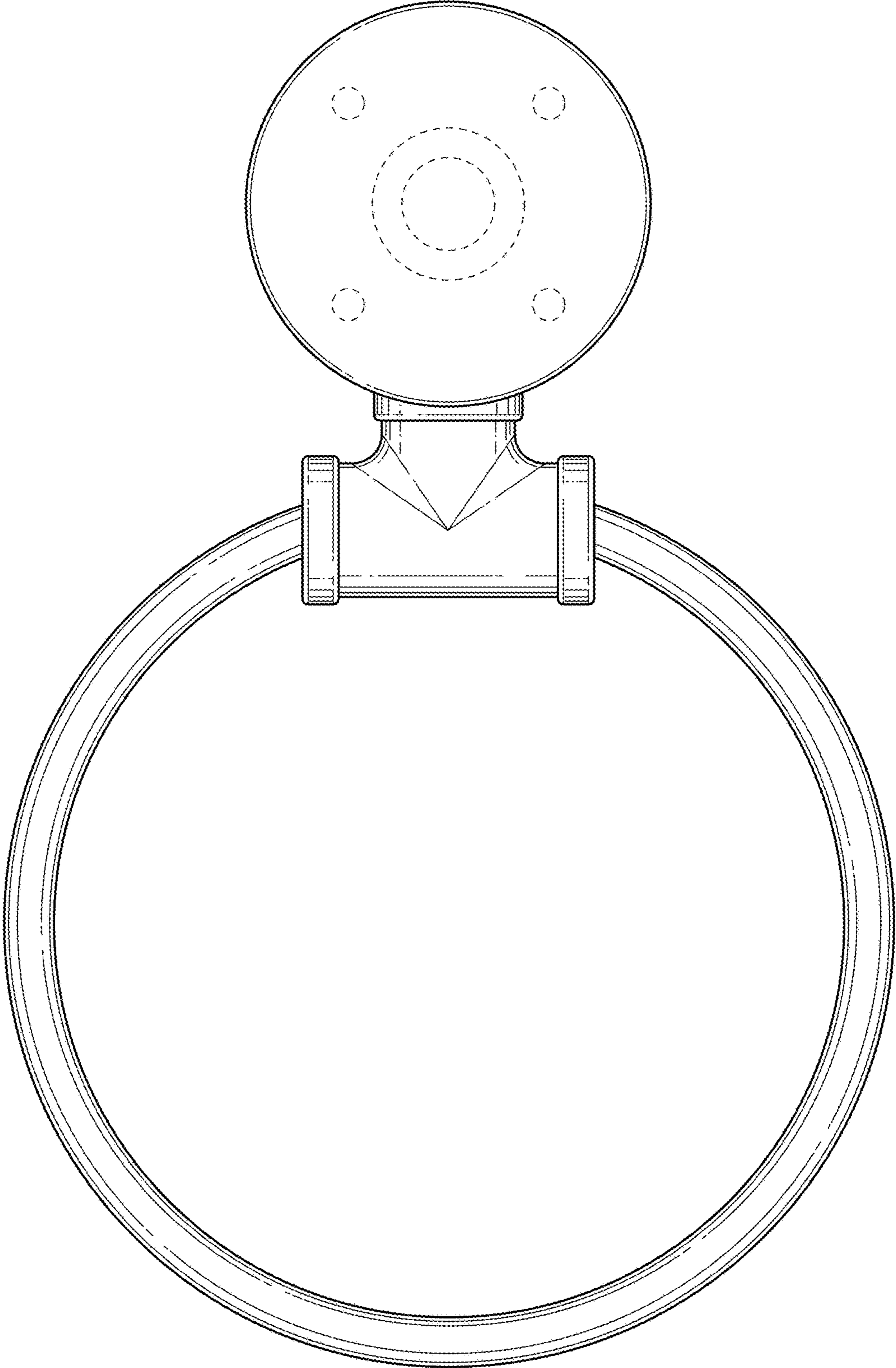


FIG. 3

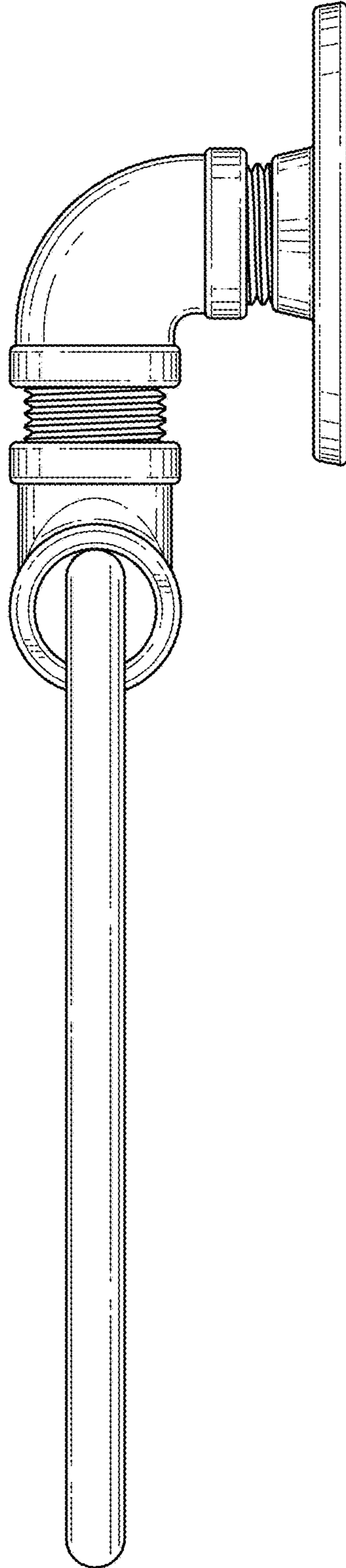


FIG. 4

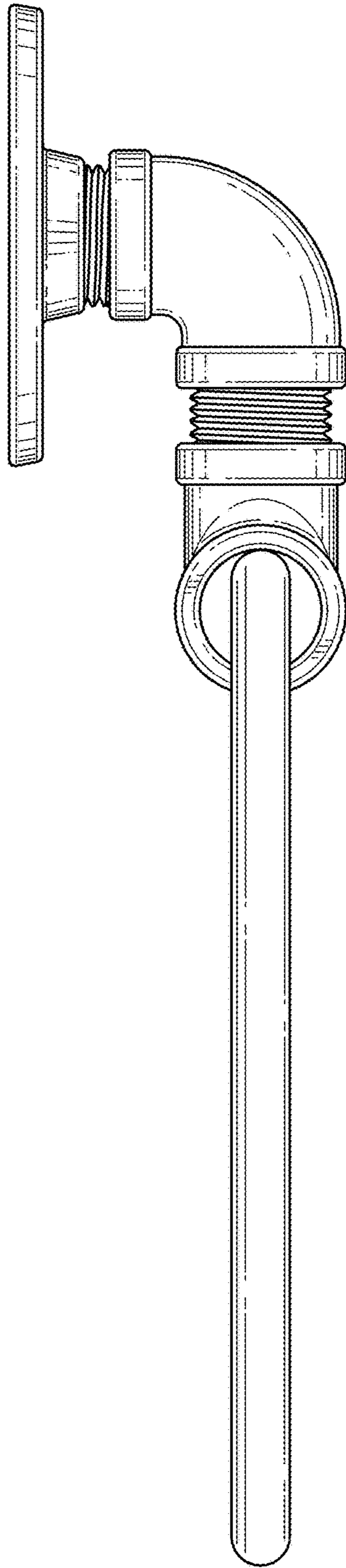


FIG. 5

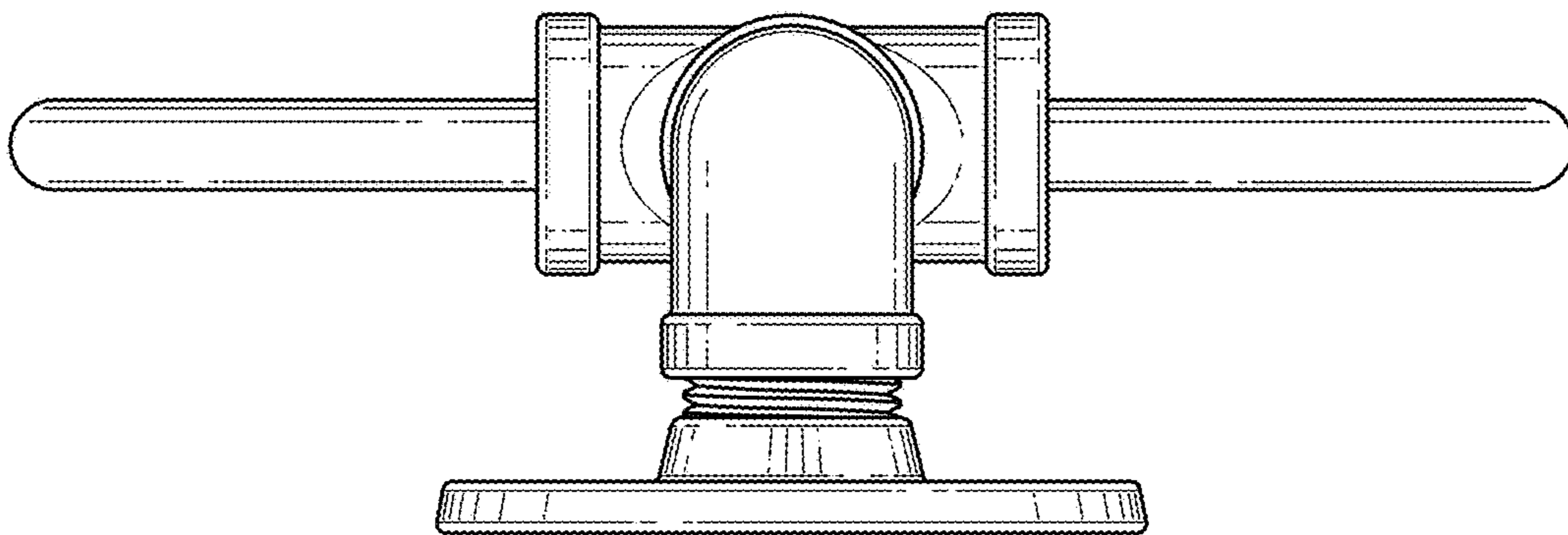


FIG. 6

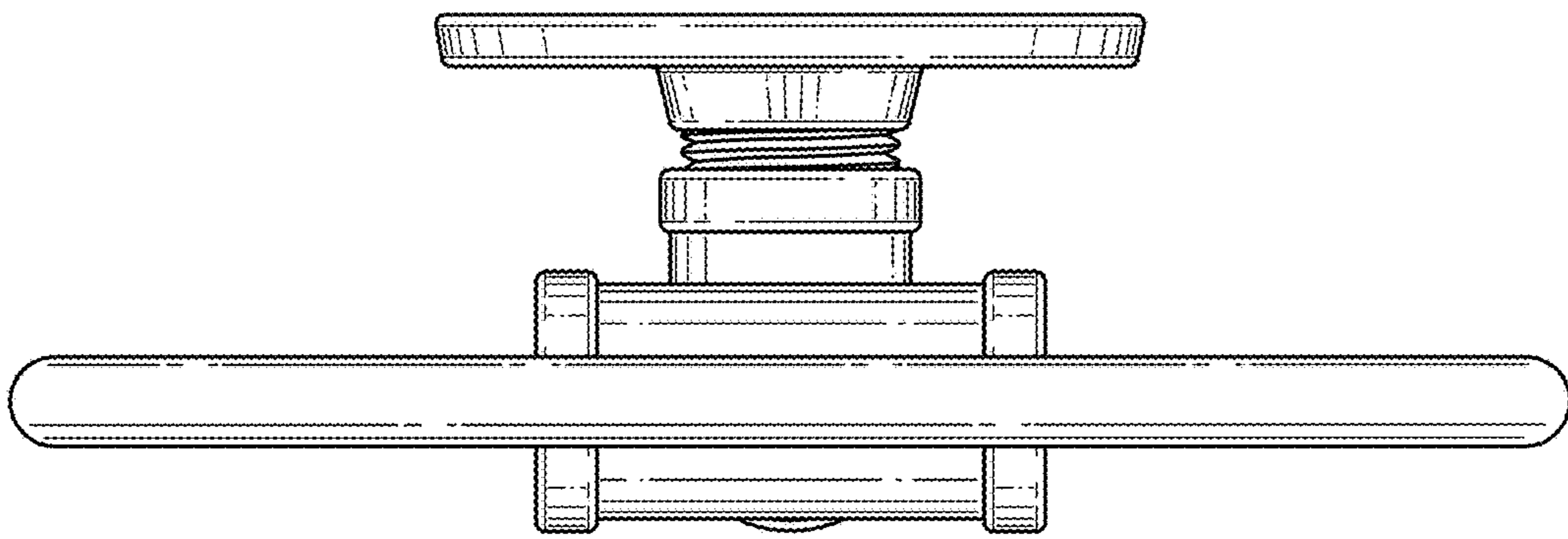


FIG. 7