



US00D850149S

(12) **United States Design Patent**
Kuc

(10) **Patent No.:** **US D850,149 S**

(45) **Date of Patent:** **** Jun. 4, 2019**

(54) **TOWEL RING**

(71) Applicant: **Iwona Kuc**, Rockford, IL (US)

(72) Inventor: **Iwona Kuc**, Rockford, IL (US)

(**) Term: **15 Years**

(21) Appl. No.: **29/623,504**

(22) Filed: **Oct. 25, 2017**

(51) **LOC (11) Cl.** **06-04**

(52) **U.S. Cl.**
USPC **D6/546**

(58) **Field of Classification Search**
USPC D6/546–550, 518–524; 211/13.1, 16,
211/85.5, 86.01, 87.01, 88.04, 110, 105.1,
211/105.2, 106, 113, 123, 181.1,
211/182–183; 248/49, 175, 176.1, 200,
248/201, 205.1, 251, 302, 309.1, 315;
D8/300, 370, 315; 108/28–29; 242/570,
242/590, 595–598
CPC A47K 10/04; A47K 10/00
See application file for complete search history.

(56) **References Cited**

U.S. PATENT DOCUMENTS

D259,754 S *	7/1981	Fleischmann	D6/546
4,907,771 A *	3/1990	Wang	A47G 25/06
				248/222.14
5,026,012 A *	6/1991	Wang	A47K 10/10
				248/222.14
D357,378 S *	4/1995	Lehn	D6/546
D357,838 S *	5/1995	Lehn	D6/546
D357,839 S *	5/1995	Lehn	D6/546
D360,792 S *	8/1995	Sharpe	D6/546
D362,615 S *	9/1995	Shames	D6/524
D388,271 S *	12/1997	Moore	D6/546
D391,105 S *	2/1998	Sharpe	D6/546
D394,969 S *	6/1998	Ho	D6/524
D409,030 S *	5/1999	Sweetman	D6/546

D417,994 S *	12/1999	Roth	D6/546
D441,239 S *	5/2001	Moore	D6/546
D441,582 S *	5/2001	Moore	D6/546
D450,507 S *	11/2001	Sun	D6/546
D450,508 S *	11/2001	Simonsen	D6/513
D450,509 S *	11/2001	Gottwald	D6/546
D455,926 S *	4/2002	Ou-Young	D6/546
D461,672 S *	8/2002	Zhao	D6/546
D464,832 S *	10/2002	Moore	D6/546
D464,833 S *	10/2002	Ouyoung	D6/546
D465,368 S *	11/2002	Moore	D6/546
D477,735 S *	7/2003	Solowiej	D6/546
D484,722 S *	1/2004	Goodman	D6/546
D498,960 S *	11/2004	Fahy	D6/546

(Continued)

OTHER PUBLICATIONS

Organizeit.com website, Umbra Towel Ring—Industrial Pipe, Mar. 18, 2016, <https://www.organizeit.com/umbra-towel-ring-industrial-pipe.asp> (Year: 2016).*

(Continued)

Primary Examiner — David G Muller
Assistant Examiner — Nathan M Johnston
(74) *Attorney, Agent, or Firm* — Mitchell Law PLLC;
Matthew W. Mitchell

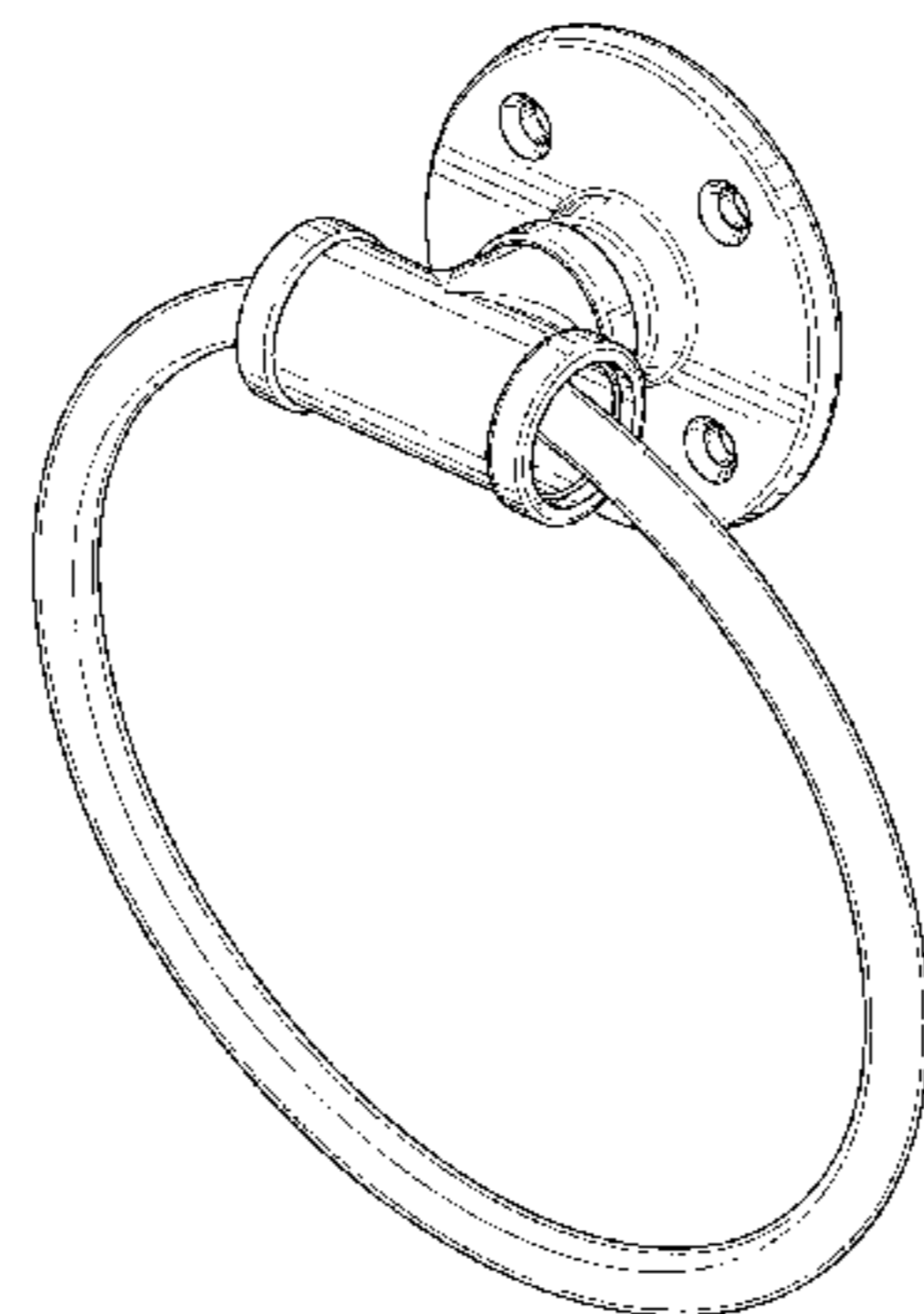
(57) **CLAIM**

The ornamental design for a towel ring, as shown.

DESCRIPTION

FIG. 1 is a front isometric view of a towel ring showing my new design;
FIG. 2 is a front elevation view thereof;
FIG. 3 is a left side elevation view thereof;
FIG. 4 is a right side elevation view thereof;
FIG. 5 is a top plan view thereof; and,
FIG. 6 is a bottom plan view thereof.

1 Claim, 6 Drawing Sheets



(56)

References Cited

U.S. PATENT DOCUMENTS

D505,819	S	*	6/2005	Hoernig	D6/546
D512,593	S	*	12/2005	Ferrer Beltran	D6/546
D513,459	S	*	1/2006	Ferrer Beltran	D6/546
D528,837	S	*	9/2006	Fields	D6/546
D529,741	S	*	10/2006	Hoernig	D6/546
D540,085	S	*	4/2007	Krumpe	D6/546
D577,938	S	*	10/2008	Krumpe	D6/546
D600,480	S	*	9/2009	Koury	D6/546
D600,481	S	*	9/2009	Yoo	D6/546
D600,960	S	*	9/2009	Krumpe	D6/546
D632,112	S	*	2/2011	Sakuma	D6/546
D771,407	S	*	11/2016	Georgeson	D6/546
2004/0265535	A1	*	12/2004	Chen	A47K 10/04 428/99

OTHER PUBLICATIONS

https://www.etsy.com/listing/586330325/modern-towel-ring-for-bathroom-modern?ref=shop_home_active_7.

* cited by examiner

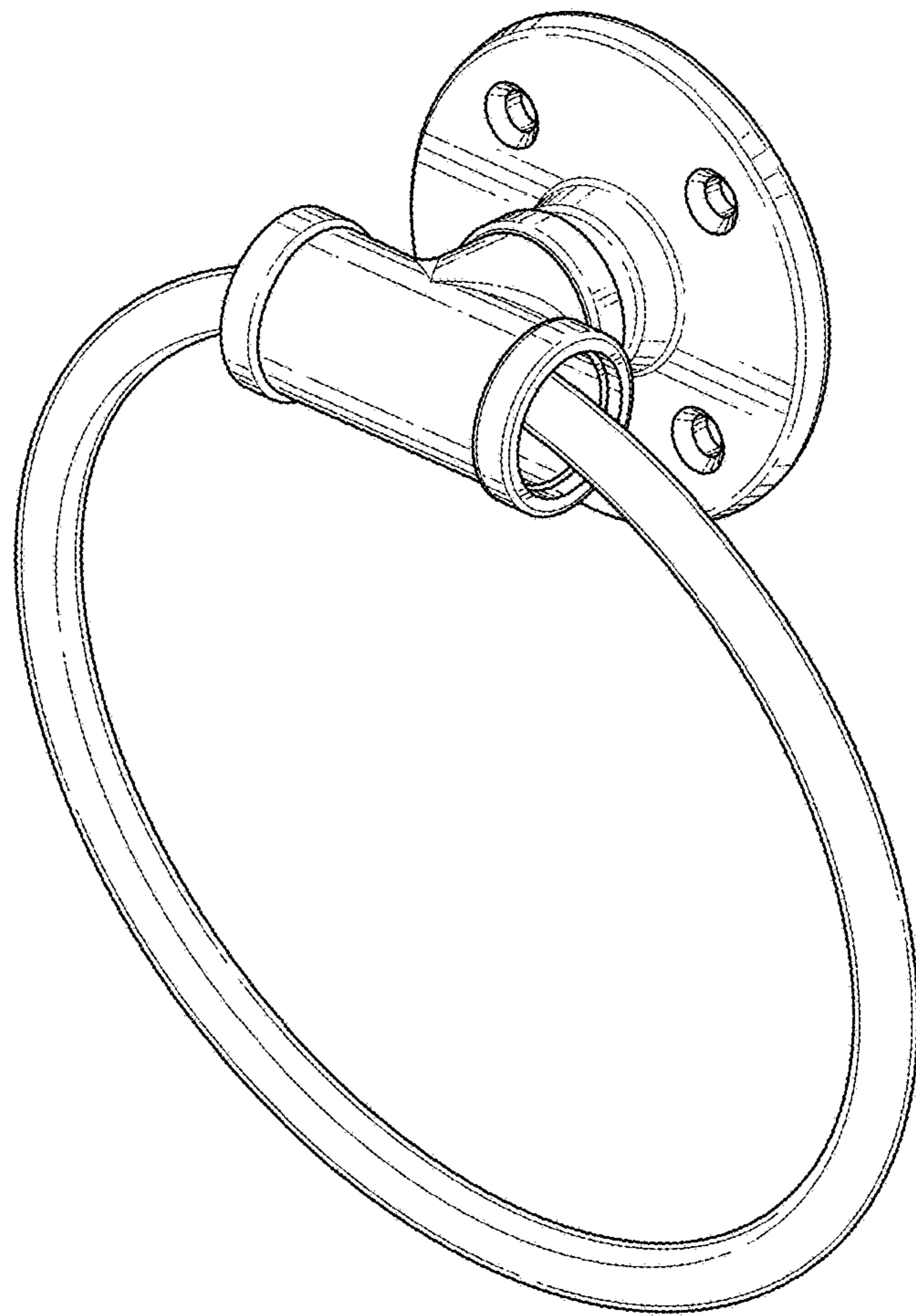


FIG. 1

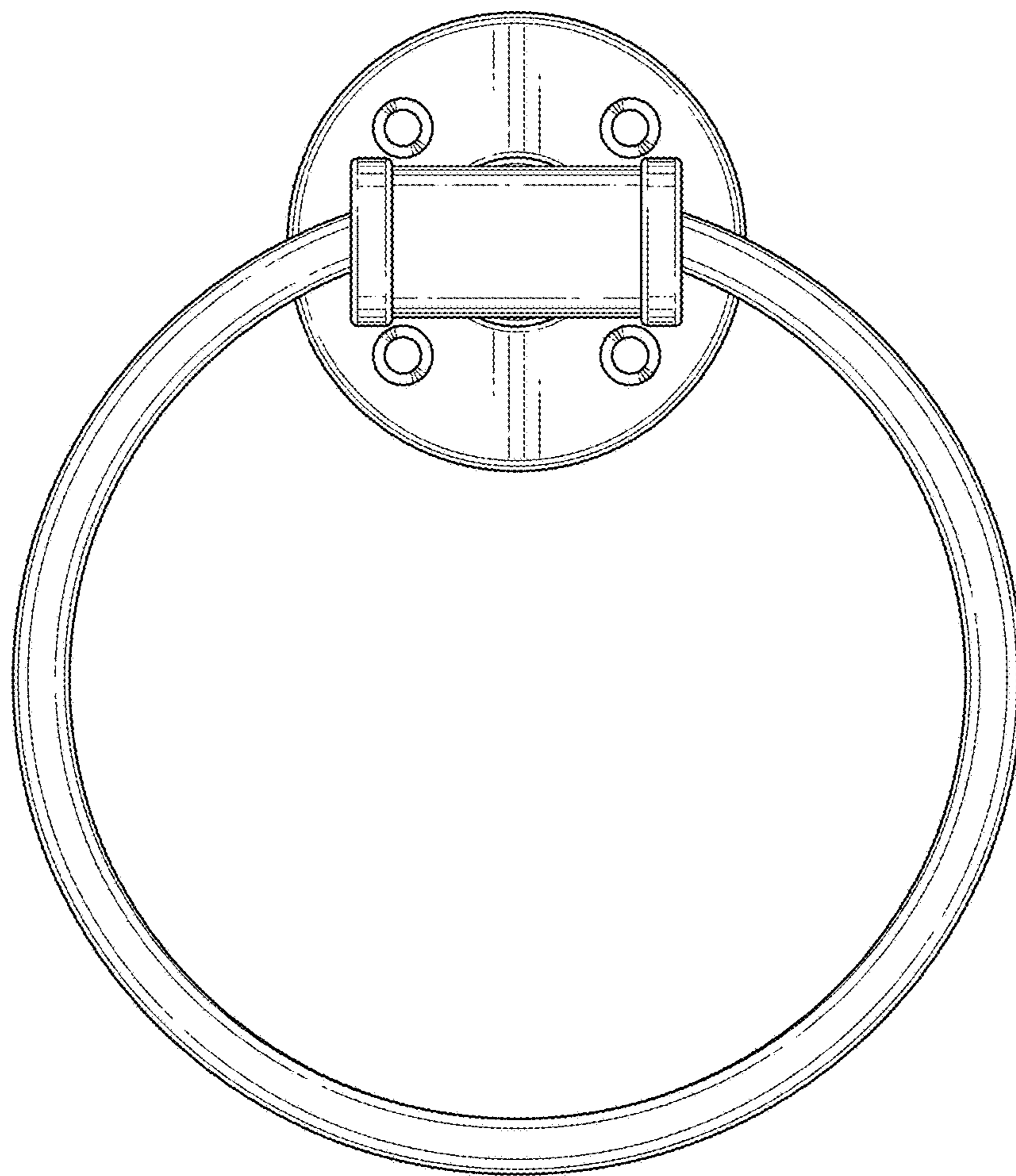


FIG. 2

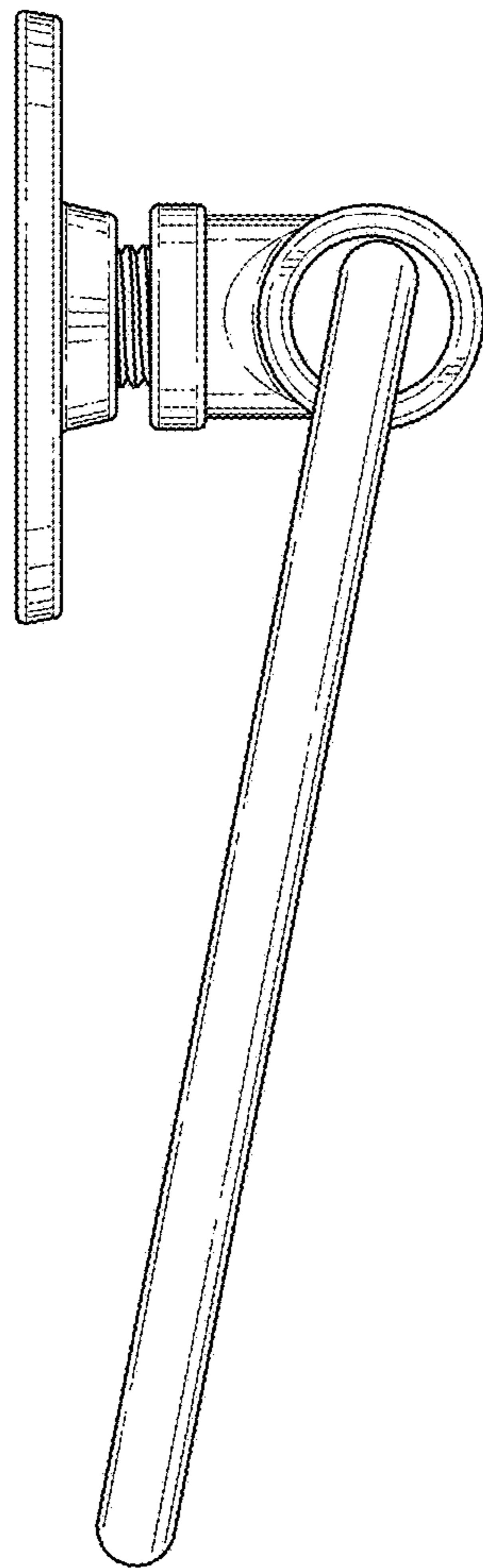


FIG. 3

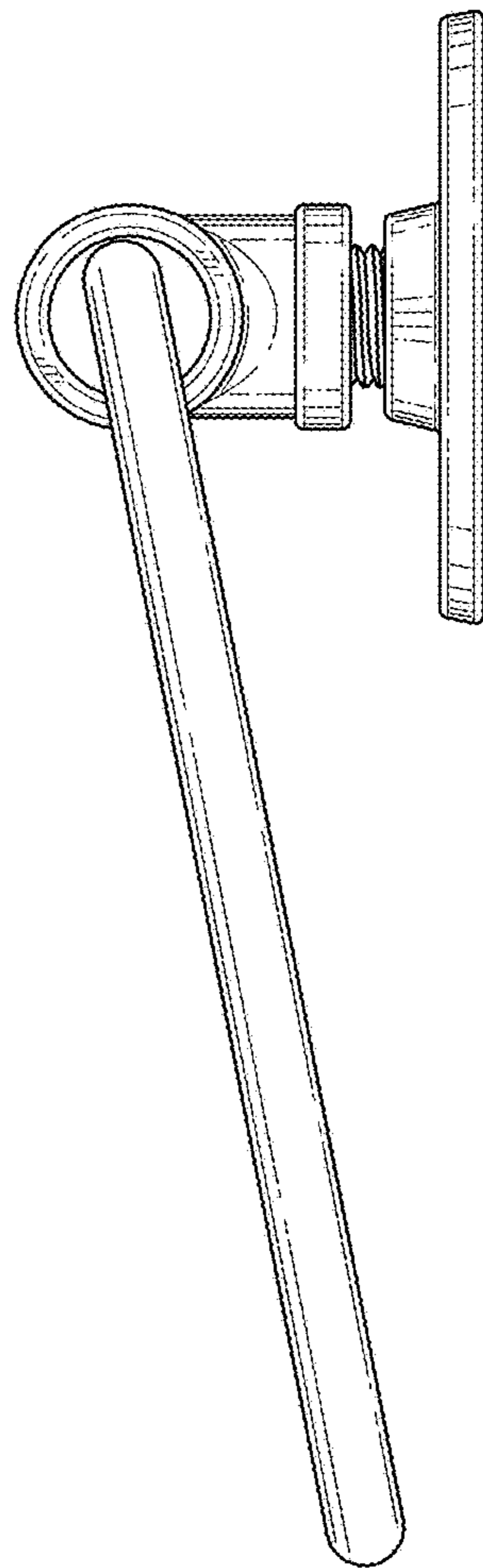


FIG. 4

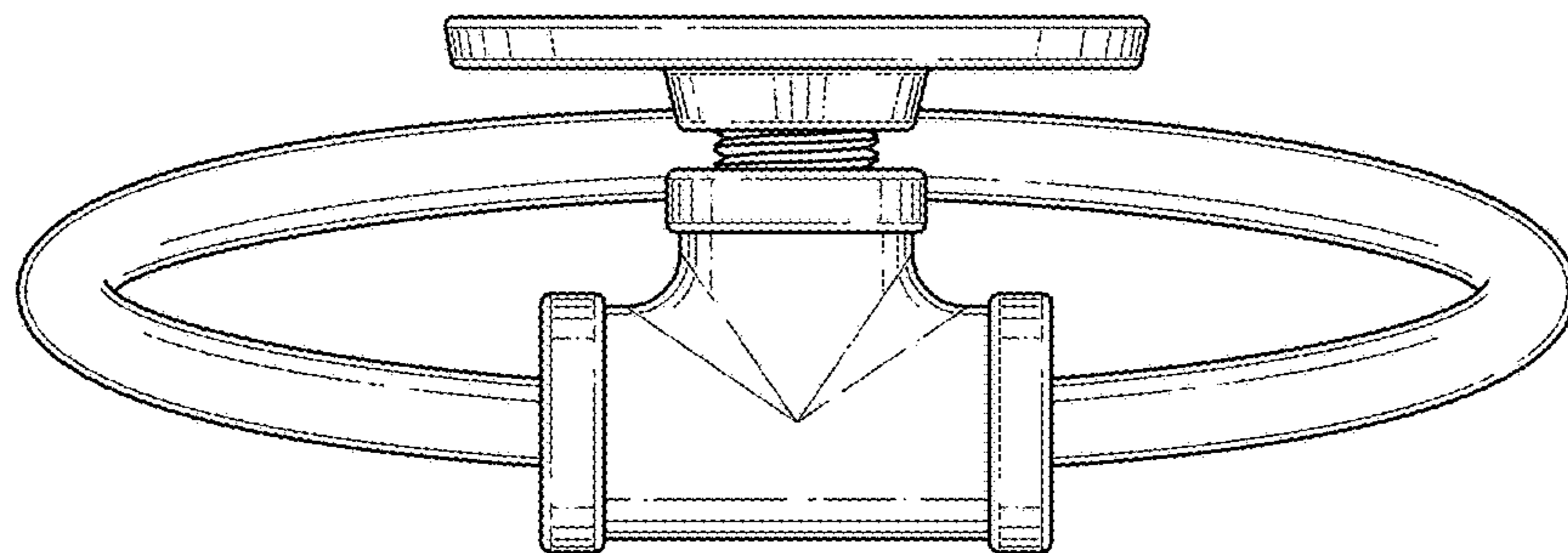


FIG. 5

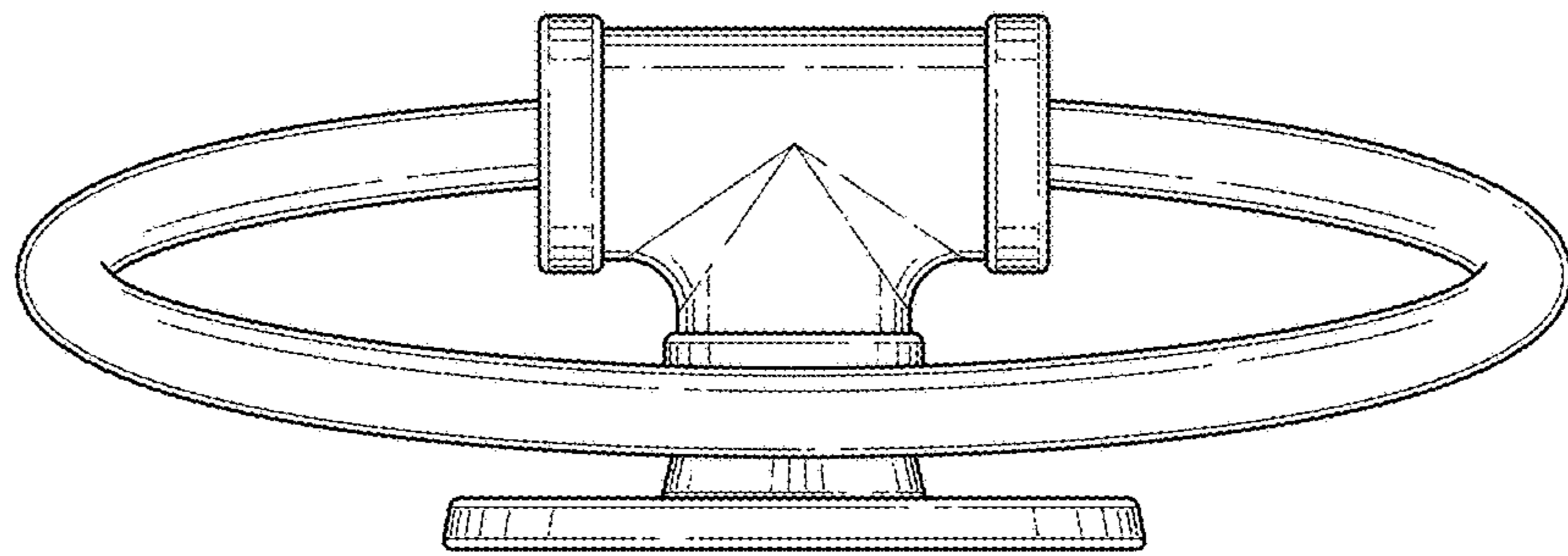


FIG. 6