



US00D850148S

(12) **United States Design Patent**  
**Yang**

(10) **Patent No.:** **US D850,148 S**

(45) **Date of Patent:** **\*\* Jun. 4, 2019**

(54) **TOOTHBRUSH HOLDER COMBINATION**

(71) Applicant: **Lei Yang**, Luzhou (CN)

(72) Inventor: **Lei Yang**, Luzhou (CN)

(\*\*) Term: **15 Years**

(21) Appl. No.: **29/608,606**

(22) Filed: **Jun. 23, 2017**

(51) **LOC (11) Cl.** ..... **23-02**

(52) **U.S. Cl.**  
USPC ..... **D6/528**

(58) **Field of Classification Search**

USPC ..... D6/528, 524, 526, 527, 529-531, 551;  
D7/635, 701; 206/208, 209, 209.1, 228,  
206/361, 362, 362.1, 362.2, 362.3, 77.1;  
211/13.1, 66, 70.6, 86.01, 87.01, 88.01,  
211/126.1, 134; D4/104, 108, 113;  
248/309.1

CPC ..... A47K 1/09; A47K 5/18; A45D 44/18  
See application file for complete search history.

(56) **References Cited**

**U.S. PATENT DOCUMENTS**

D389,686 S \* 1/1998 Drage ..... D10/2  
D481,572 S \* 11/2003 Dretzka ..... D6/534

D625,942 S \* 10/2010 Yang ..... D6/528  
D667,247 S \* 9/2012 Lawer ..... D6/534  
D701,394 S \* 3/2014 Lin ..... D6/534  
D796,226 S \* 9/2017 Joseph ..... D6/530

\* cited by examiner

*Primary Examiner* — Wan Laymon

*Assistant Examiner* — Mark Booker

(74) *Attorney, Agent, or Firm* — Gokalp Bayramoglu

(57) **CLAIM**

The ornamental design for a toothbrush holder combination, as shown and described.

**DESCRIPTION**

FIG. 1 is a front view of a toothbrush holder combination showing my new design;

FIG. 2 is a back view thereof;

FIG. 3 is a left side view thereof;

FIG. 4 is a right side view thereof;

FIG. 5 is a top plan view thereof;

FIG. 6 is a bottom plan view thereof;

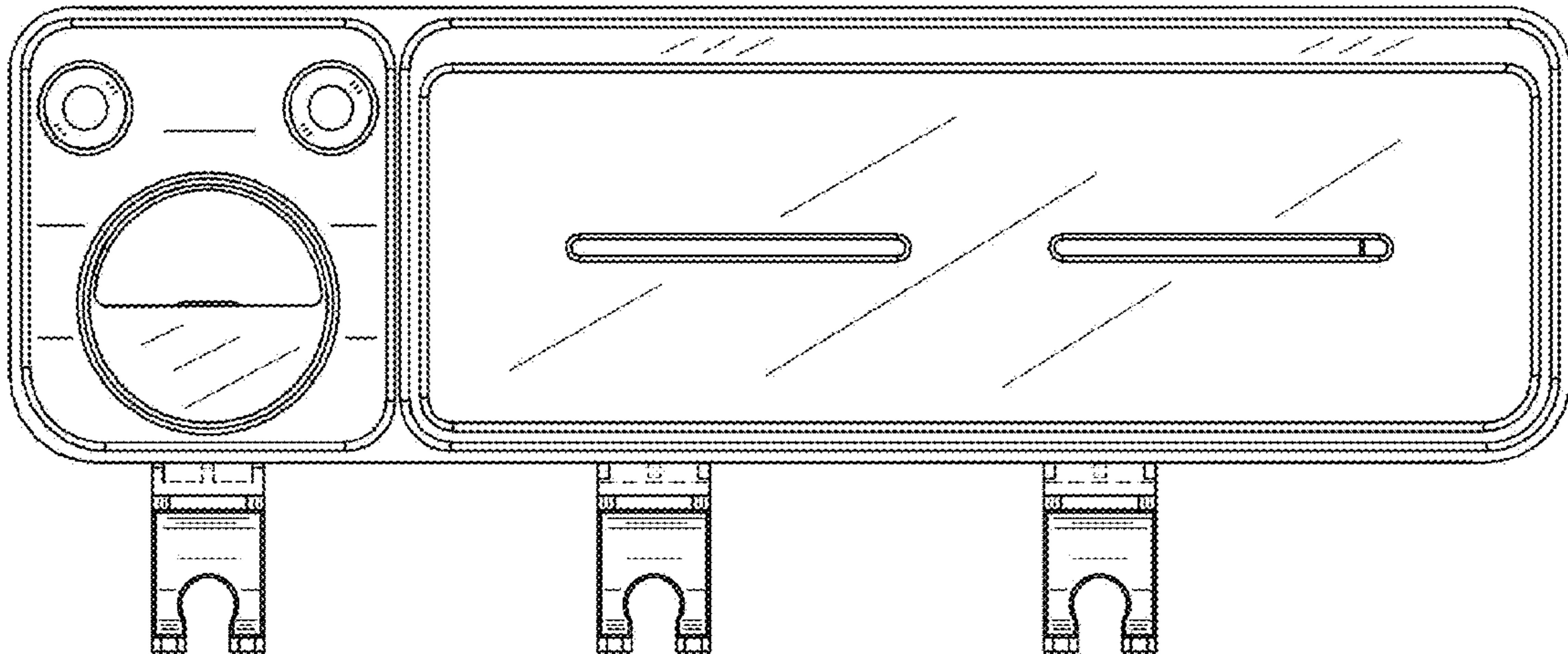
FIG. 7 is a perspective view thereof;

FIG. 8 is a perspective view thereof; and,

FIG. 9 is a perspective view thereof.

The broken lines shown in the figures represent portions of the toothbrush holder combination that form no part of the claimed design.

**1 Claim, 9 Drawing Sheets**



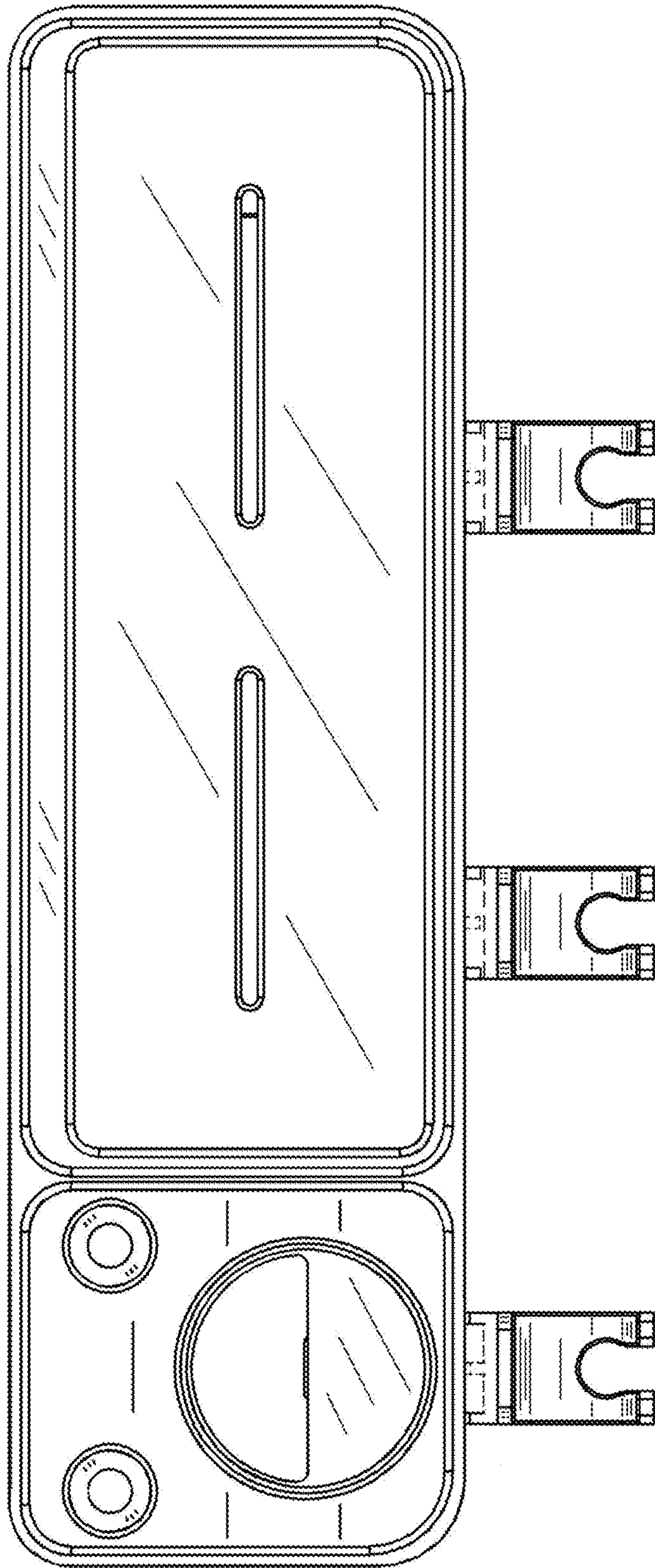


FIG. 1

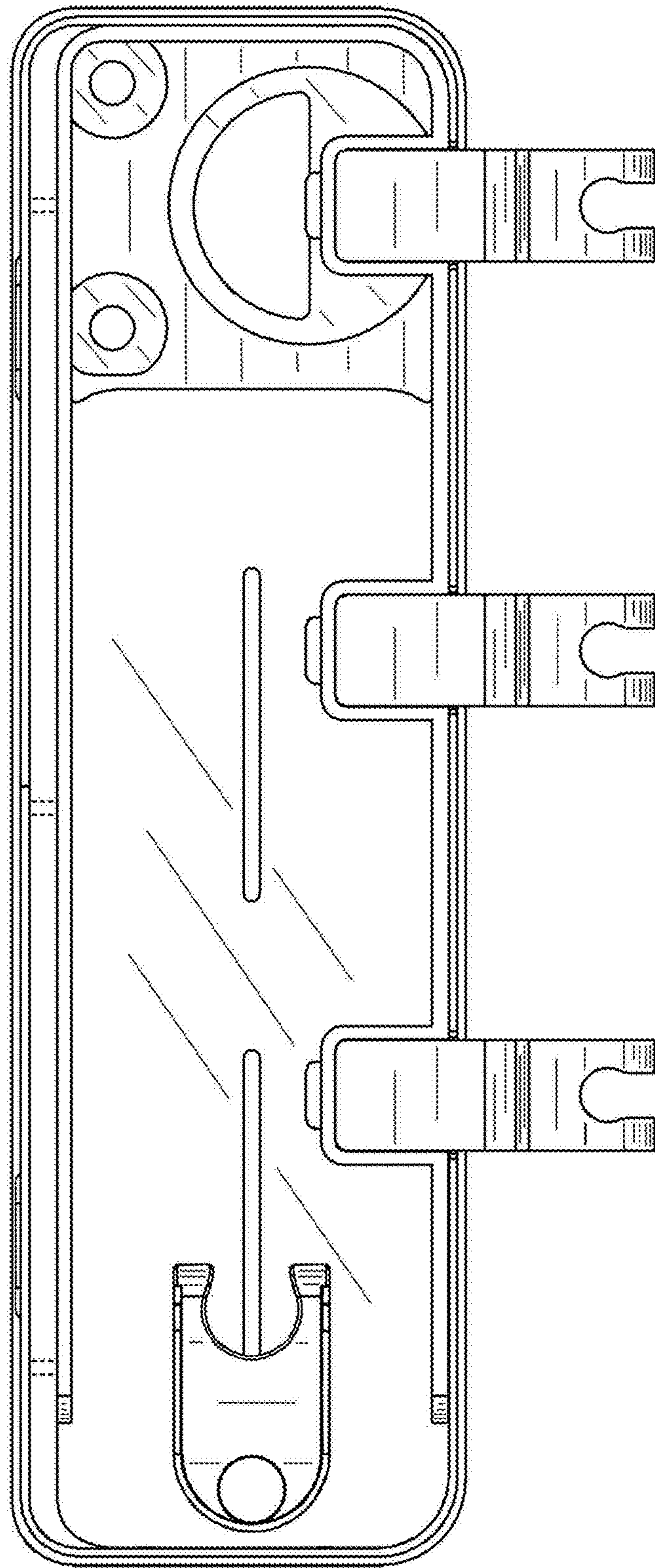


FIG. 2



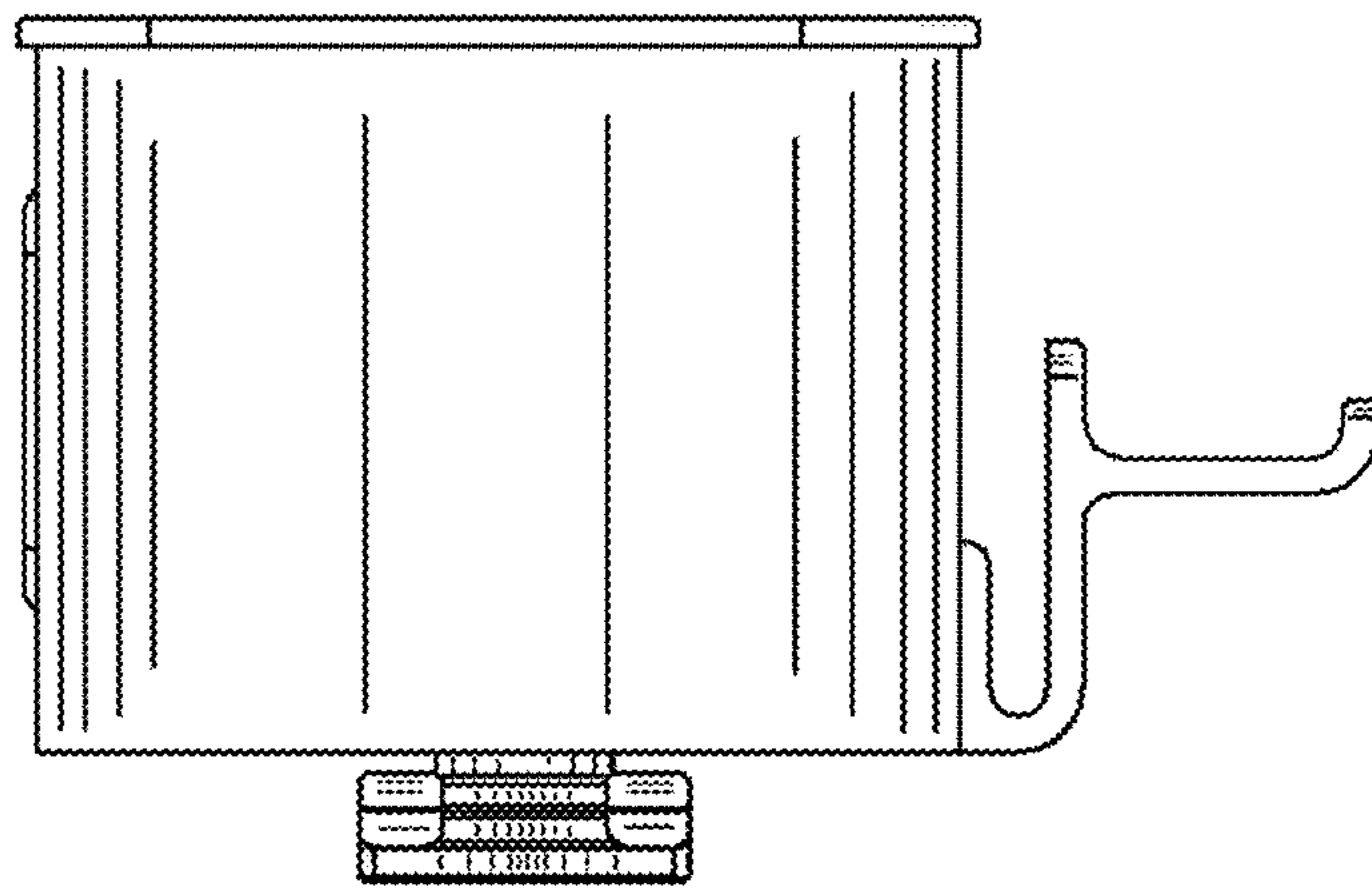


FIG. 3

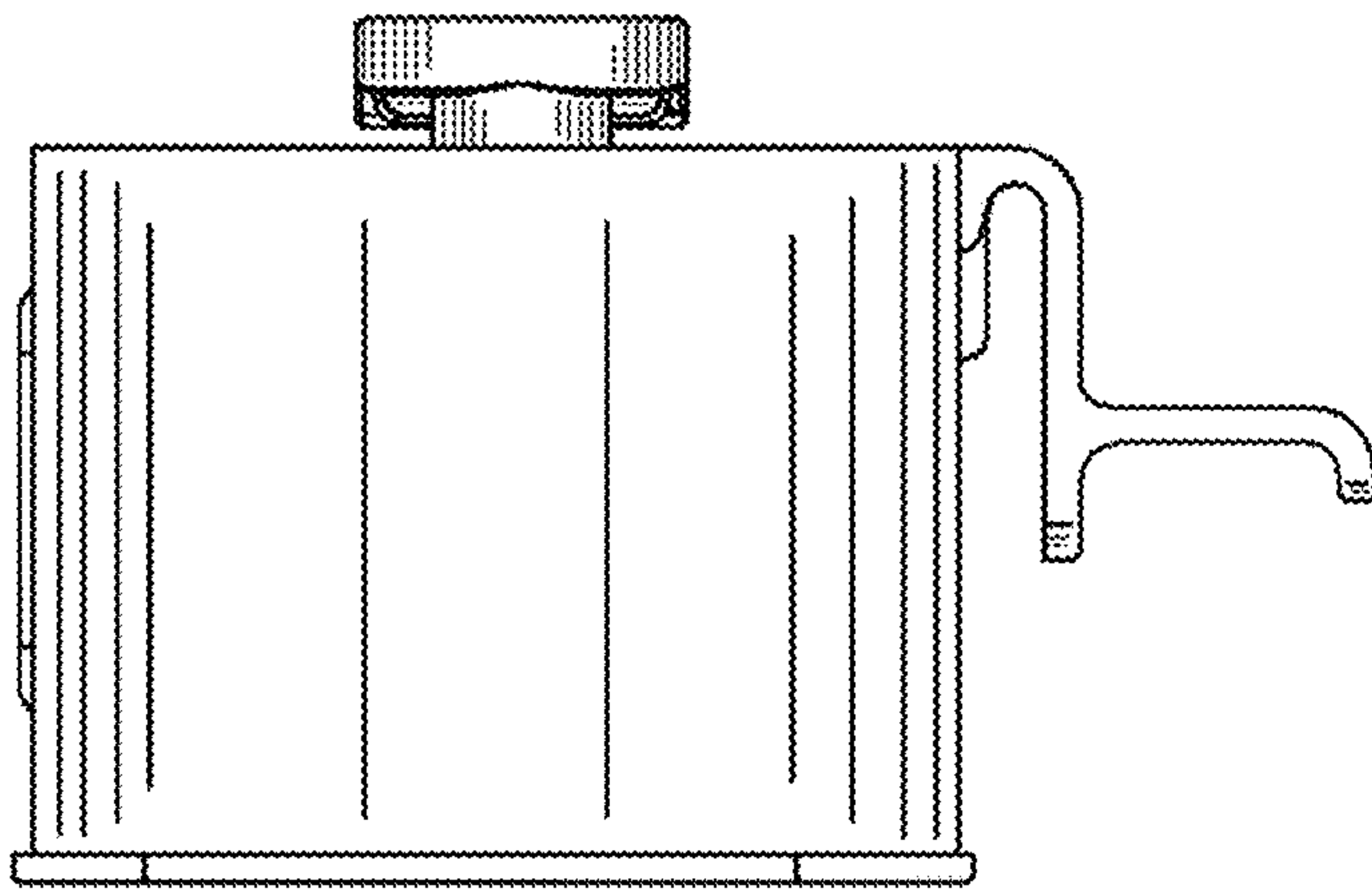


FIG. 4

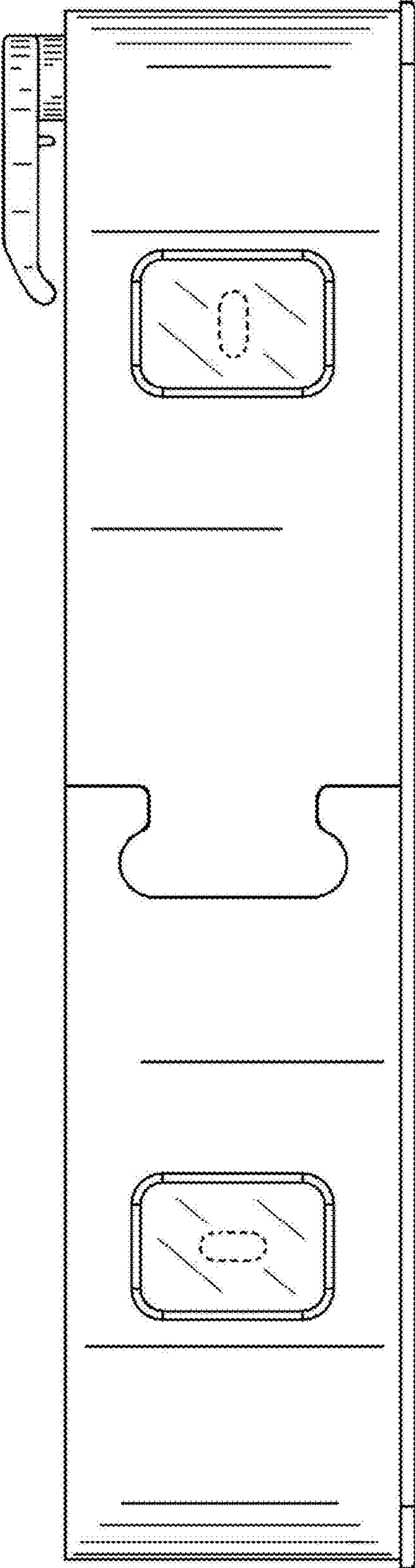


FIG. 5

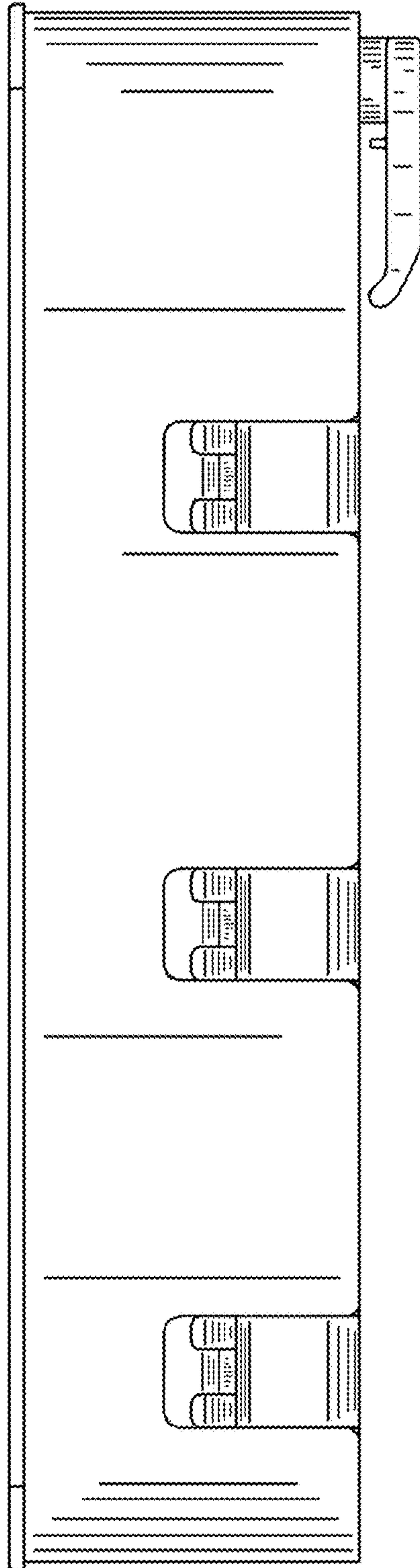


FIG. 6

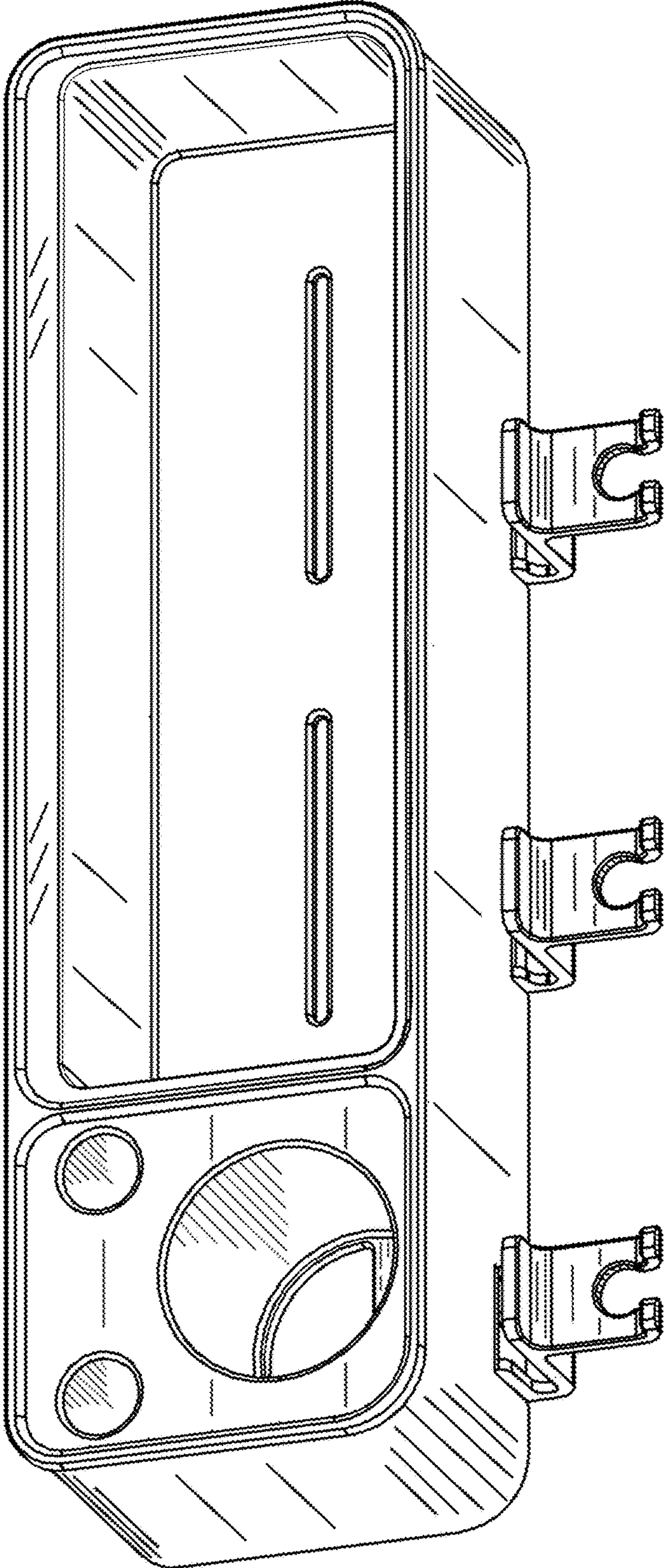


FIG. 7



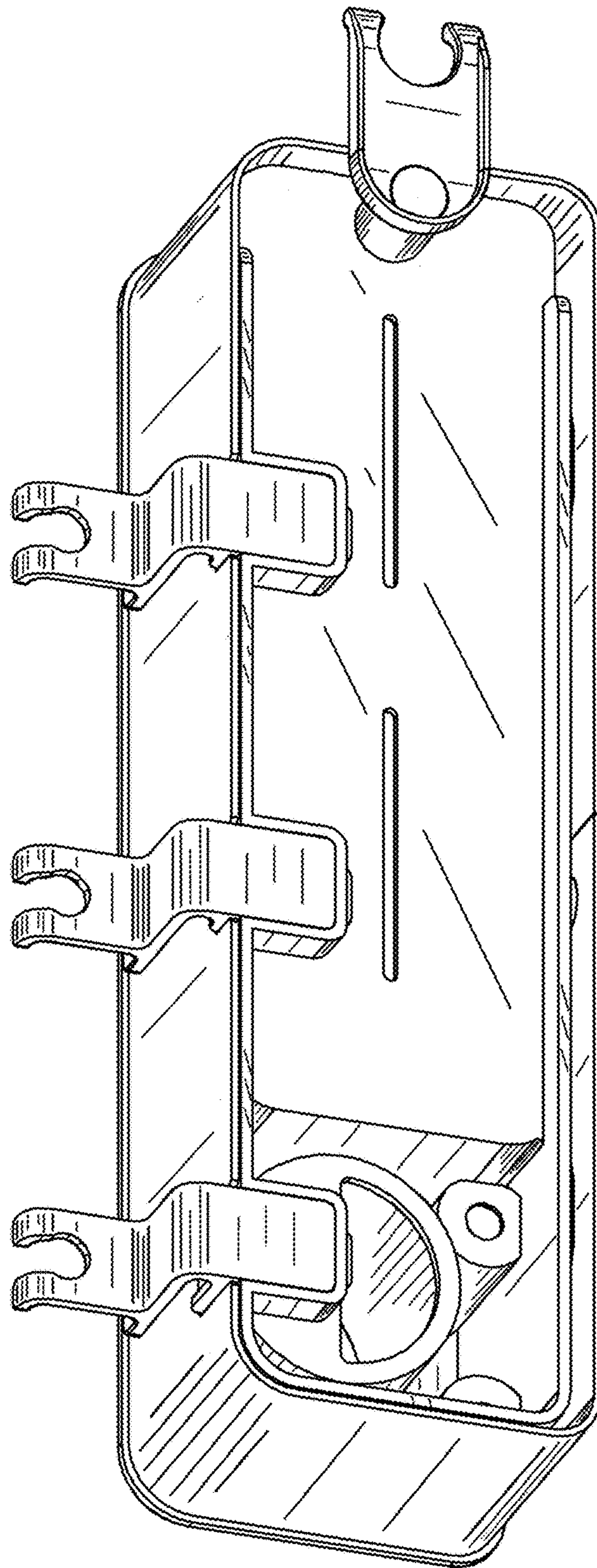


FIG. 8

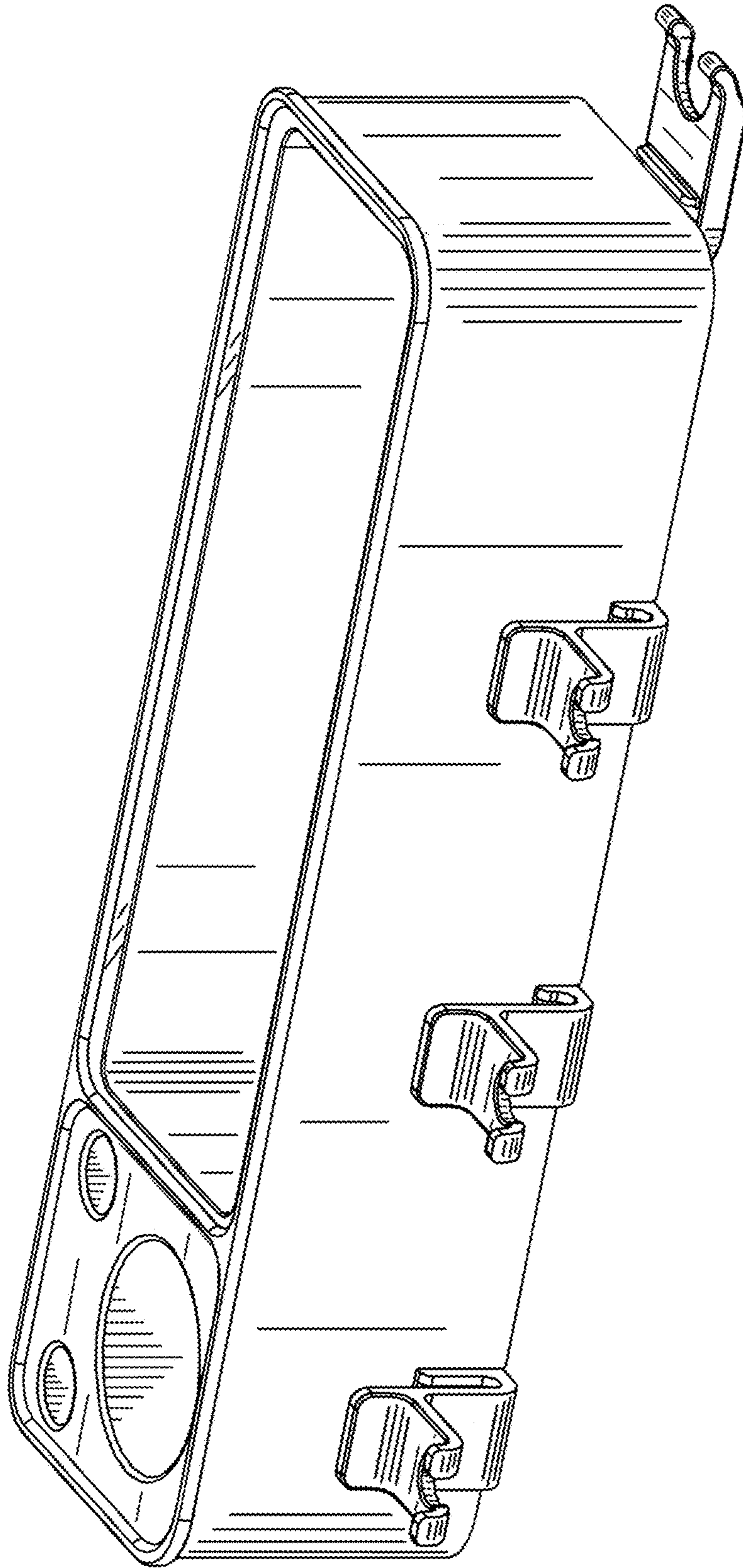


FIG. 9