



US00D850146S

(12) **United States Design Patent**  
**Valencia**

(10) **Patent No.:** **US D850,146 S**  
(45) **Date of Patent:** **\*\* Jun. 4, 2019**

(54) **TOILET PAPER MOUNT**  
(71) Applicant: **Jose Valencia**, Blairsville, GA (US)  
(72) Inventor: **Jose Valencia**, Blairsville, GA (US)  
(\*\*) Term: **15 Years**  
(21) Appl. No.: **29/636,974**  
(22) Filed: **Feb. 13, 2018**  
(51) **LOC (11) Cl.** ..... **23-02**  
(52) **U.S. Cl.**  
USPC ..... **D6/523**  
(58) **Field of Classification Search**  
USPC ..... D6/523, 546-550, 518-522; D8/300,  
D8/303, 315, 321; 16/110.1, 412, 415;  
108/28-29; 211/13.1, 16, 60.1, 100,  
211/86.01, 87.01, 88.1, 88.4, 105.1,  
211/105.2, 123, 182, 181.1; 242/570,  
242/290, 595-598; 248/175, 176.1, 251,  
248/302, 309.1  
CPC ..... A45F 2005/025; A45F 2005/027; A47K  
2010/3253; A47K 10/22; A47K 10/3836;  
A47K 10/16; A47K 10/3818; A47K  
2010/3233; B60R 7/084  
See application file for complete search history.

5,752,622 A \* 5/1998 Abell ..... A47K 10/38  
221/281  
6,318,821 B1 \* 11/2001 Martin ..... A47K 10/38  
221/226  
6,435,369 B1 \* 8/2002 Poursayadi ..... E01F 9/70  
221/185  
D495,137 S \* 8/2004 Lee ..... D3/205  
D512,253 S \* 12/2005 Hoernig ..... D6/523  
D572,514 S \* 7/2008 Bickler ..... D6/518  
8,418,879 B2 \* 4/2013 Sherman ..... A47K 10/42  
221/130  
10,104,965 B1 \* 10/2018 Miller ..... A47B 96/024

\* cited by examiner

*Primary Examiner* — David G Muller  
*Assistant Examiner* — Nathan M Johnston

(57) **CLAIM**

The ornamental design for a toilet paper mount, as shown and described.

**DESCRIPTION**

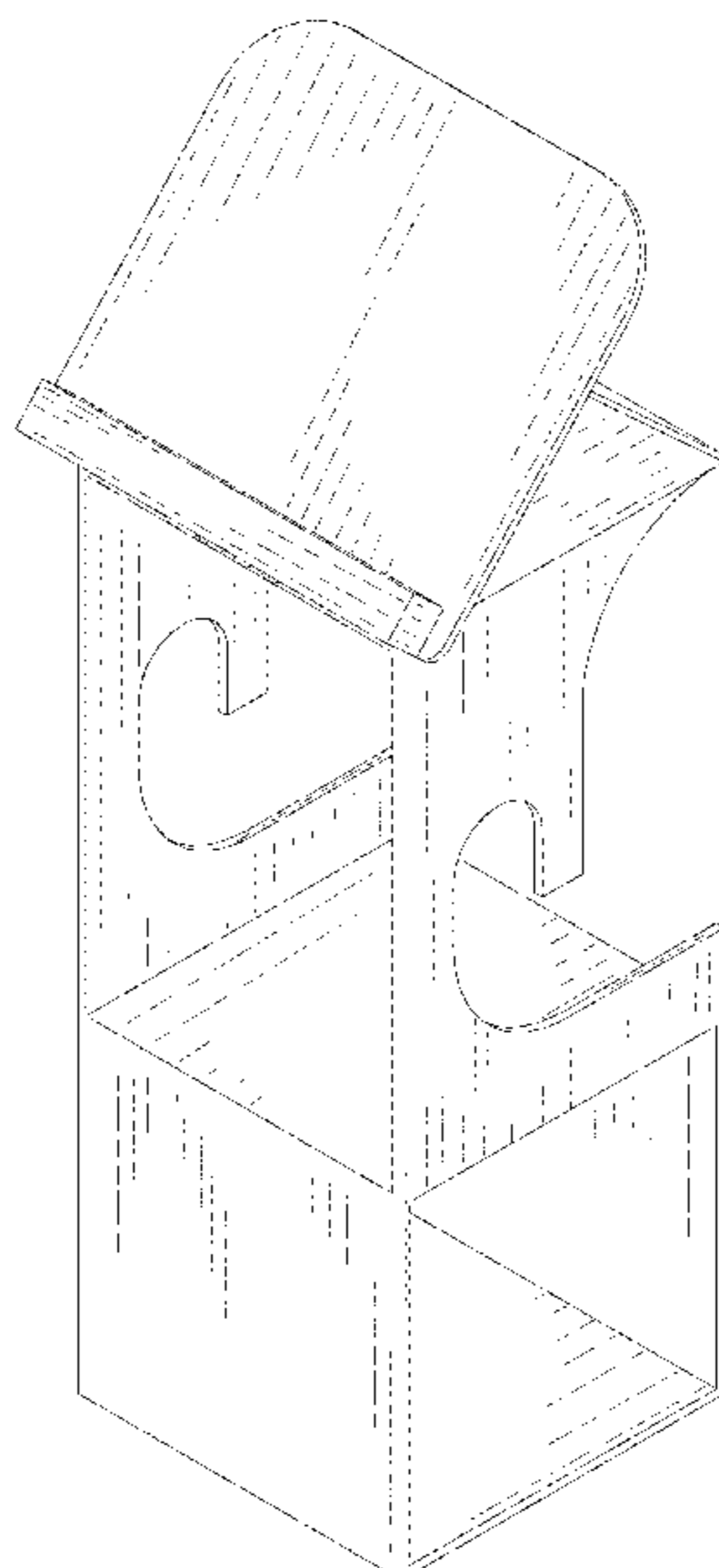
FIG. 1 is a top right perspective view of a toilet paper mount showing my new design;  
FIG. 2 is a top left perspective view thereof;  
FIG. 3 is a bottom left perspective view thereof;  
FIG. 4 is a front view thereof;  
FIG. 5 is a back view thereof;  
FIG. 6 is a top view thereof;  
FIG. 7 is a bottom view thereof;  
FIG. 8 is a left view thereof;  
FIG. 9 is a right view thereof;  
FIG. 10 is a top right perspective view of the toilet paper mount in alternative position; and,  
FIG. 11 is a right view thereof.  
The broken line showing of the hinges in FIGS. 1-11 is included for the purpose of showing environmental structure and forms no part of the claimed design.

**1 Claim, 11 Drawing Sheets**

(56) **References Cited**

**U.S. PATENT DOCUMENTS**

4,235,333 A \* 11/1980 Boone ..... A47K 10/32  
206/233  
D266,718 S \* 11/1982 Peabody ..... D6/519  
4,964,543 A \* 10/1990 Scheiber ..... A47K 10/32  
222/180  
5,248,105 A \* 9/1993 Cooker ..... A47K 10/38  
242/598.5  
D377,284 S \* 1/1997 Farrow ..... D6/519



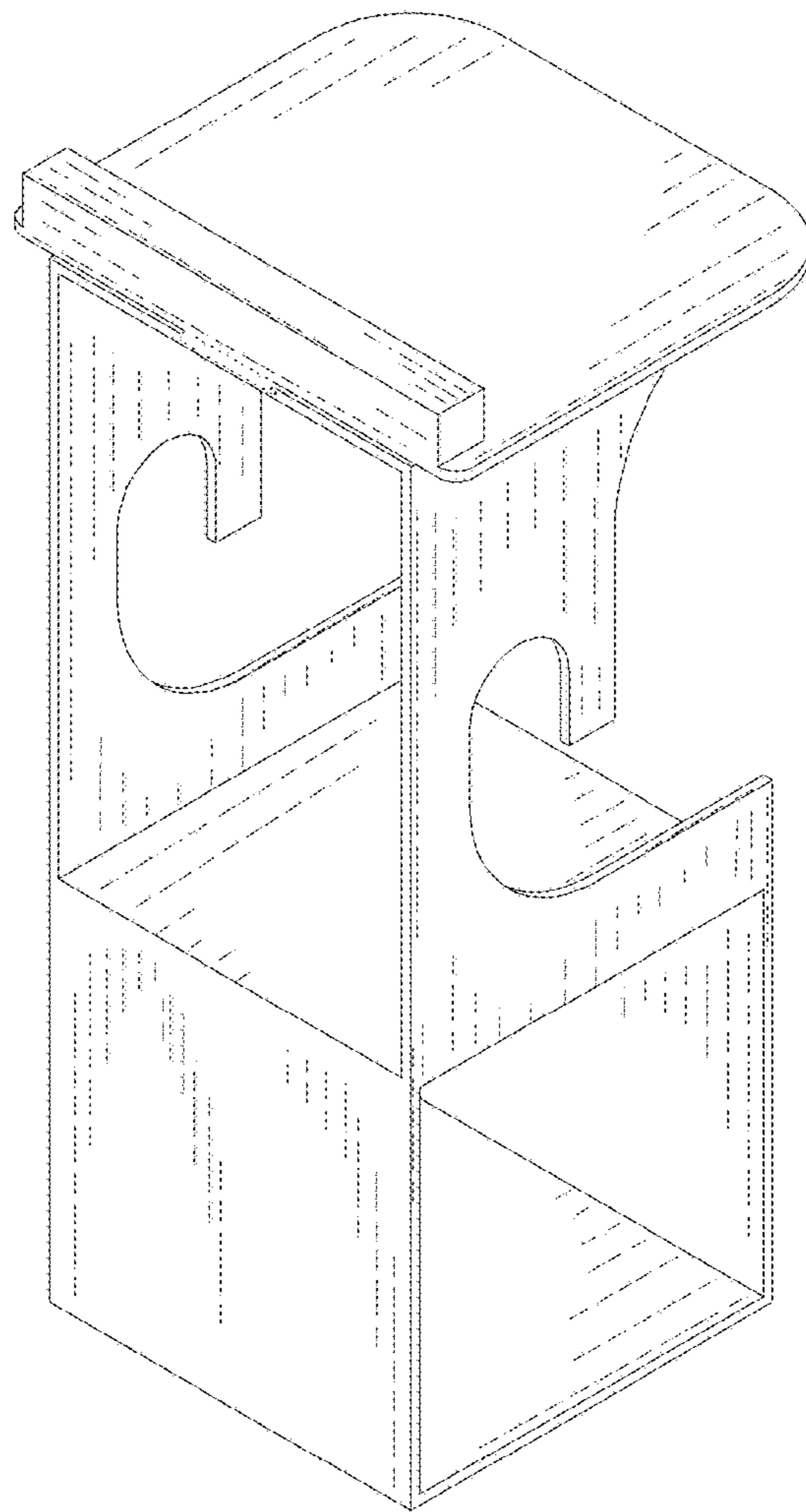


FIG. 1

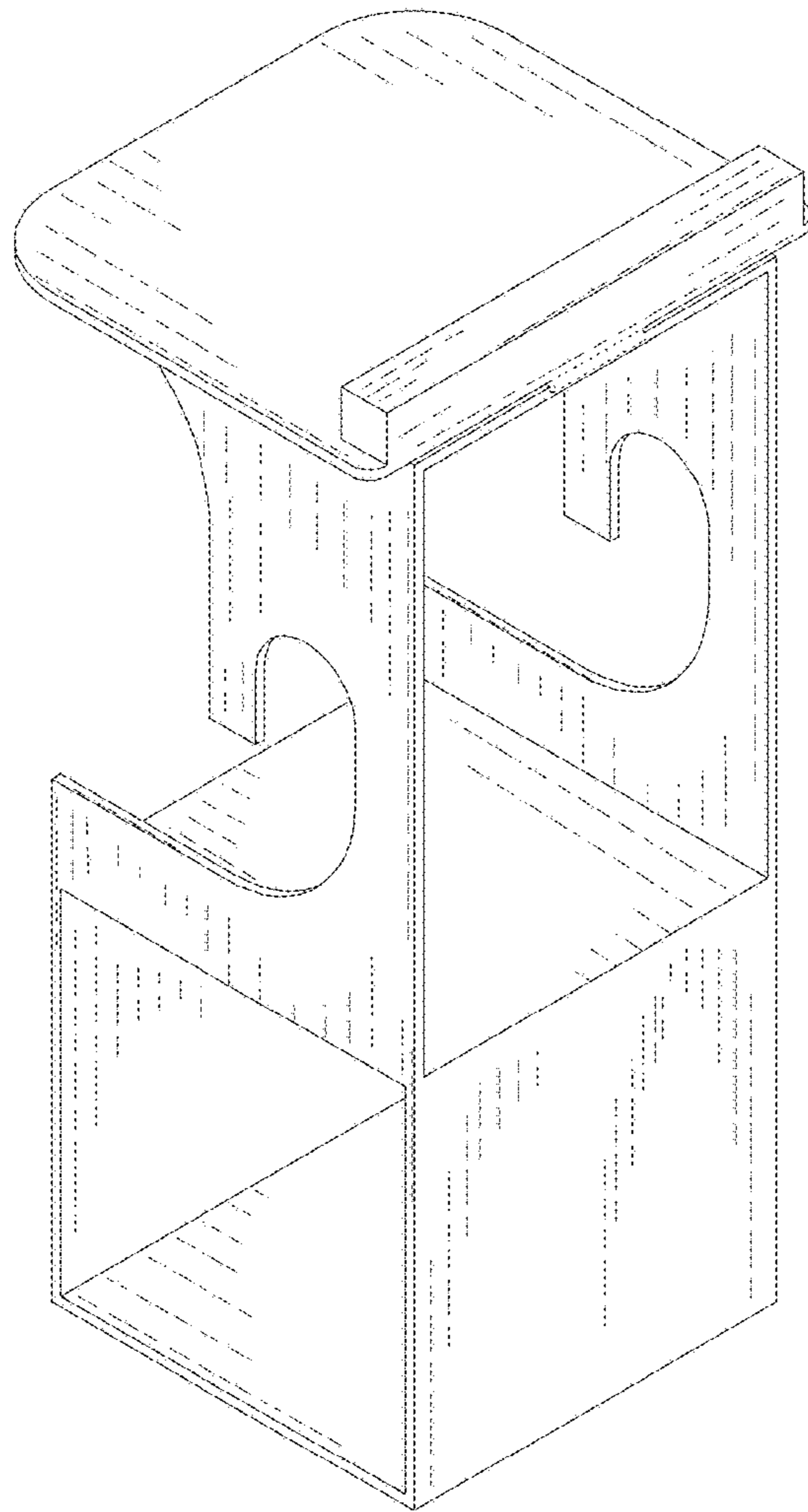


FIG. 2

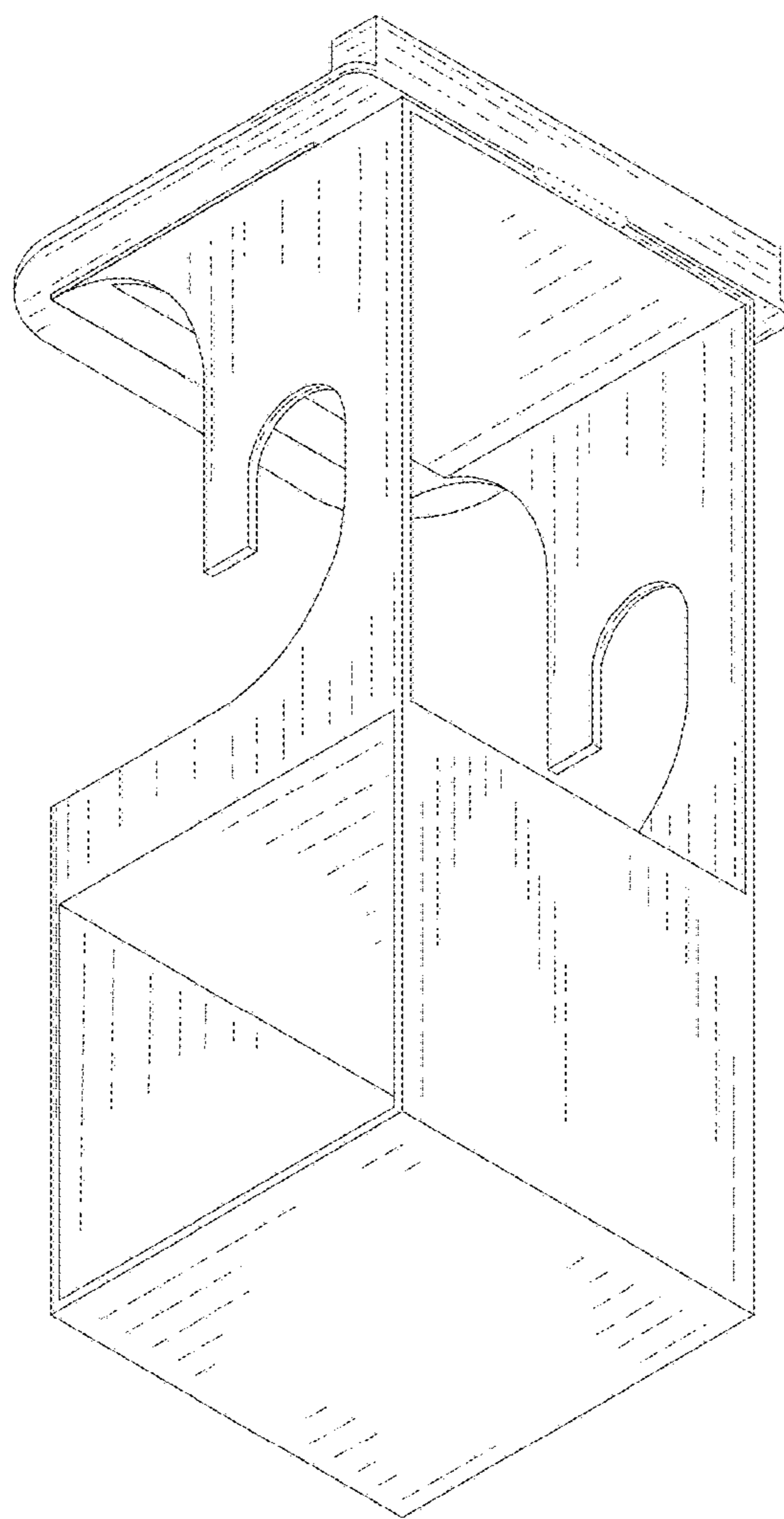


FIG. 3

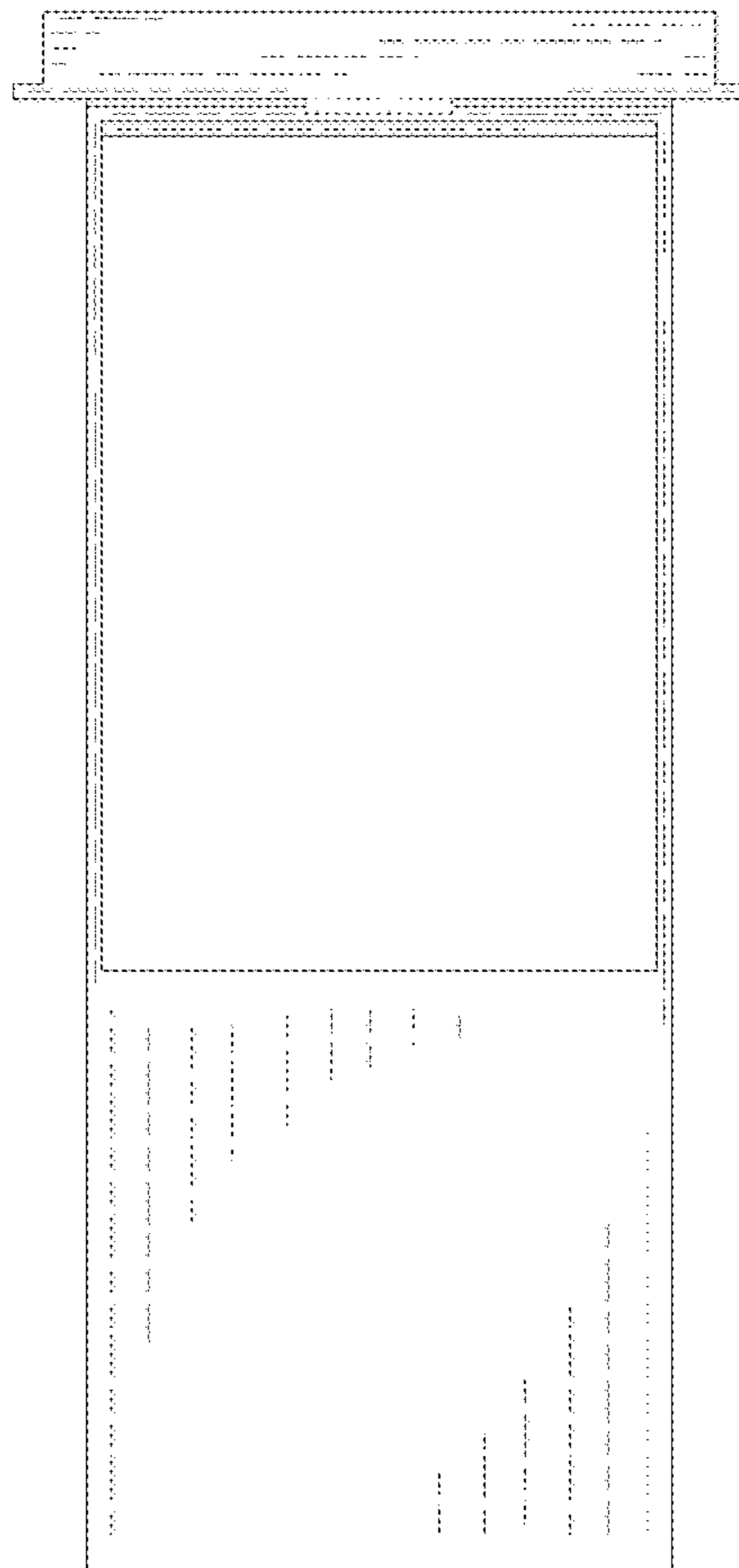


FIG. 4

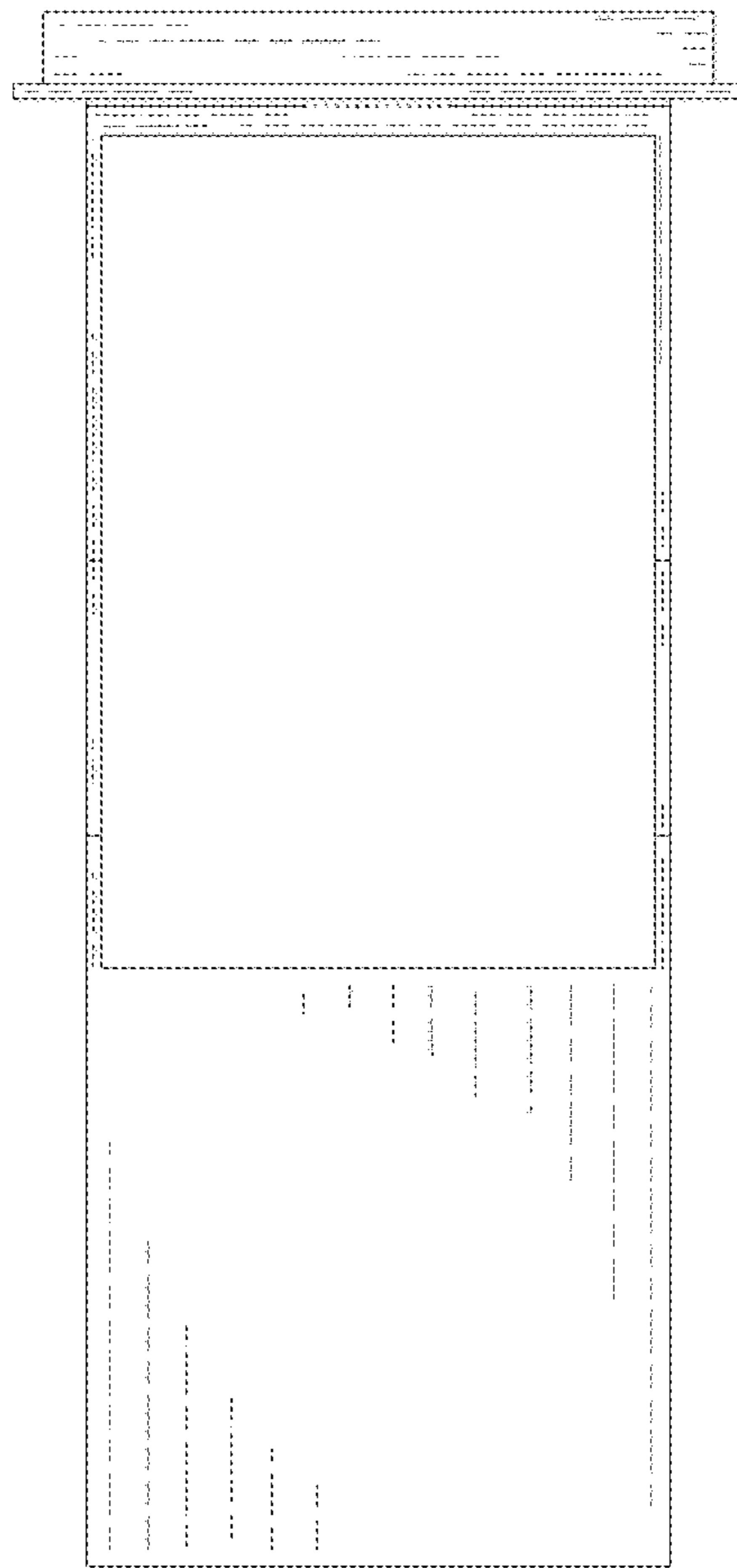


FIG. 5

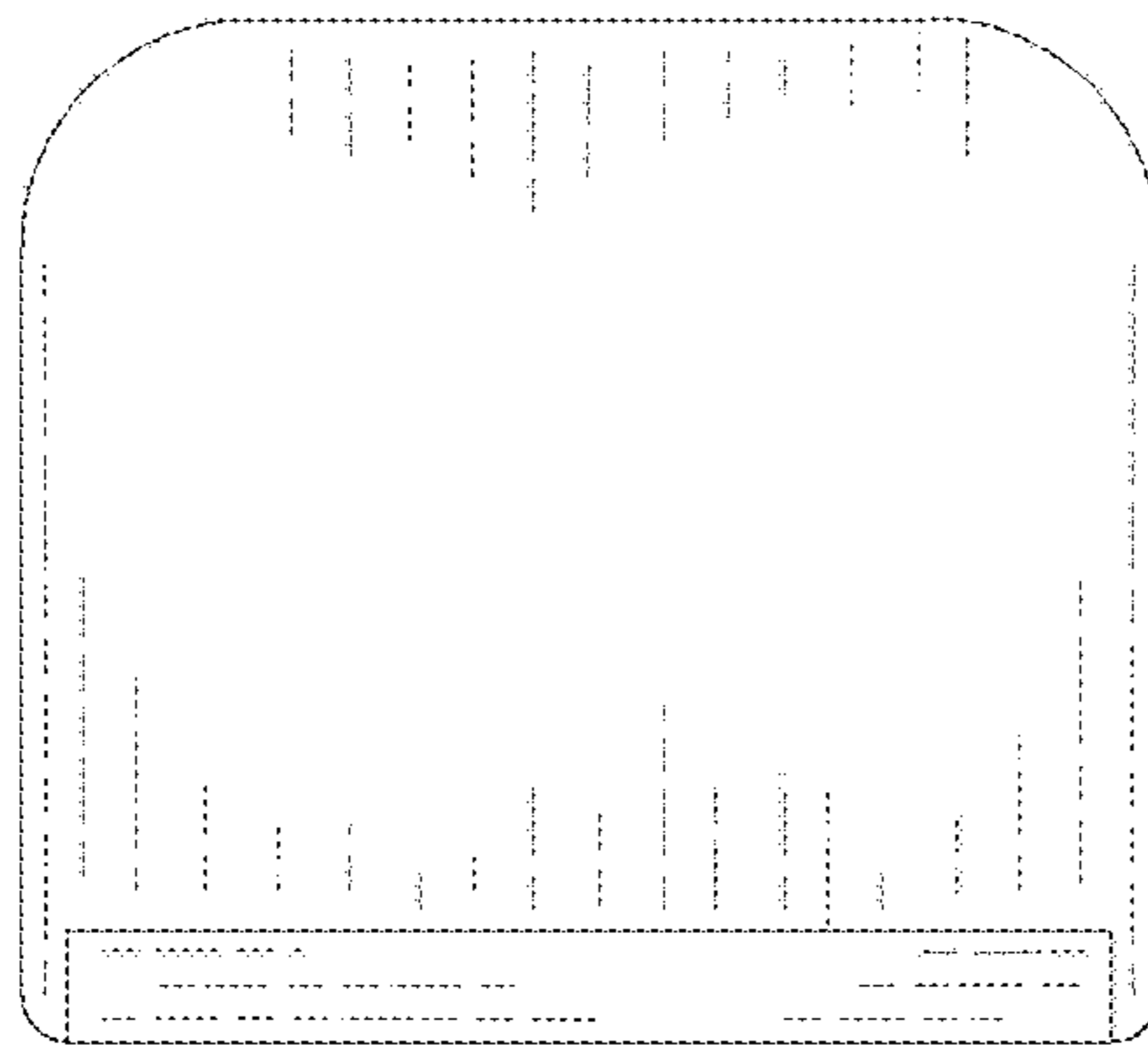


FIG. 6

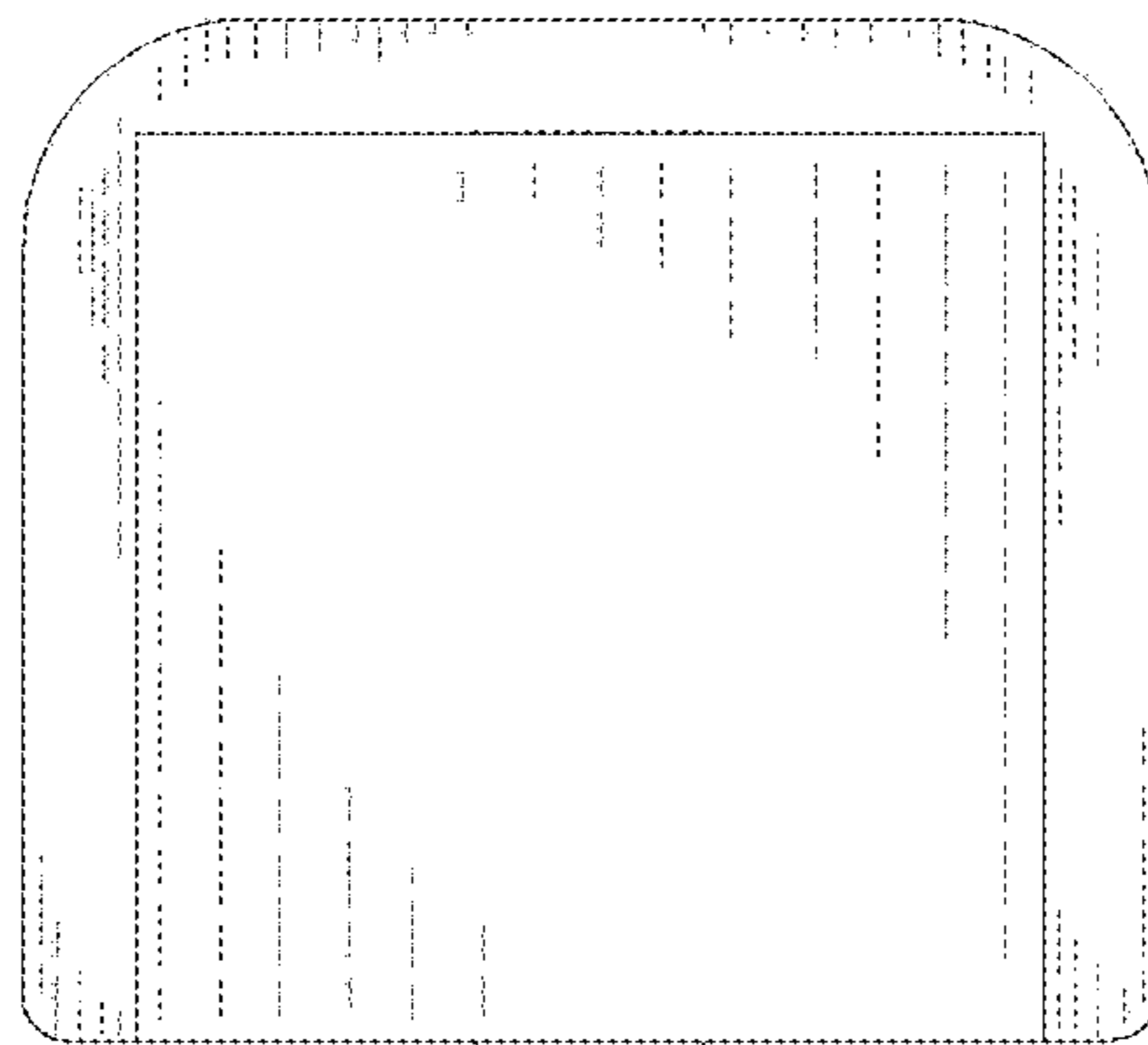


FIG. 7



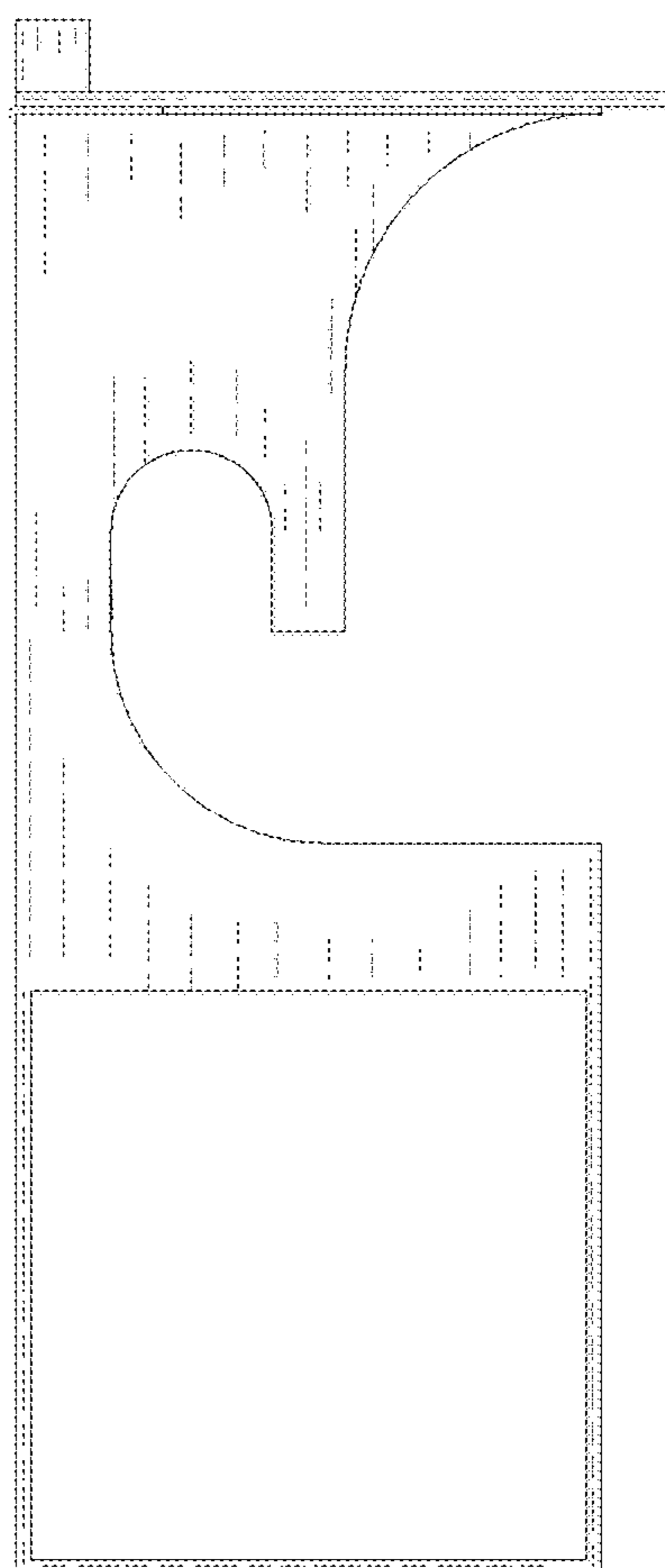


FIG. 8

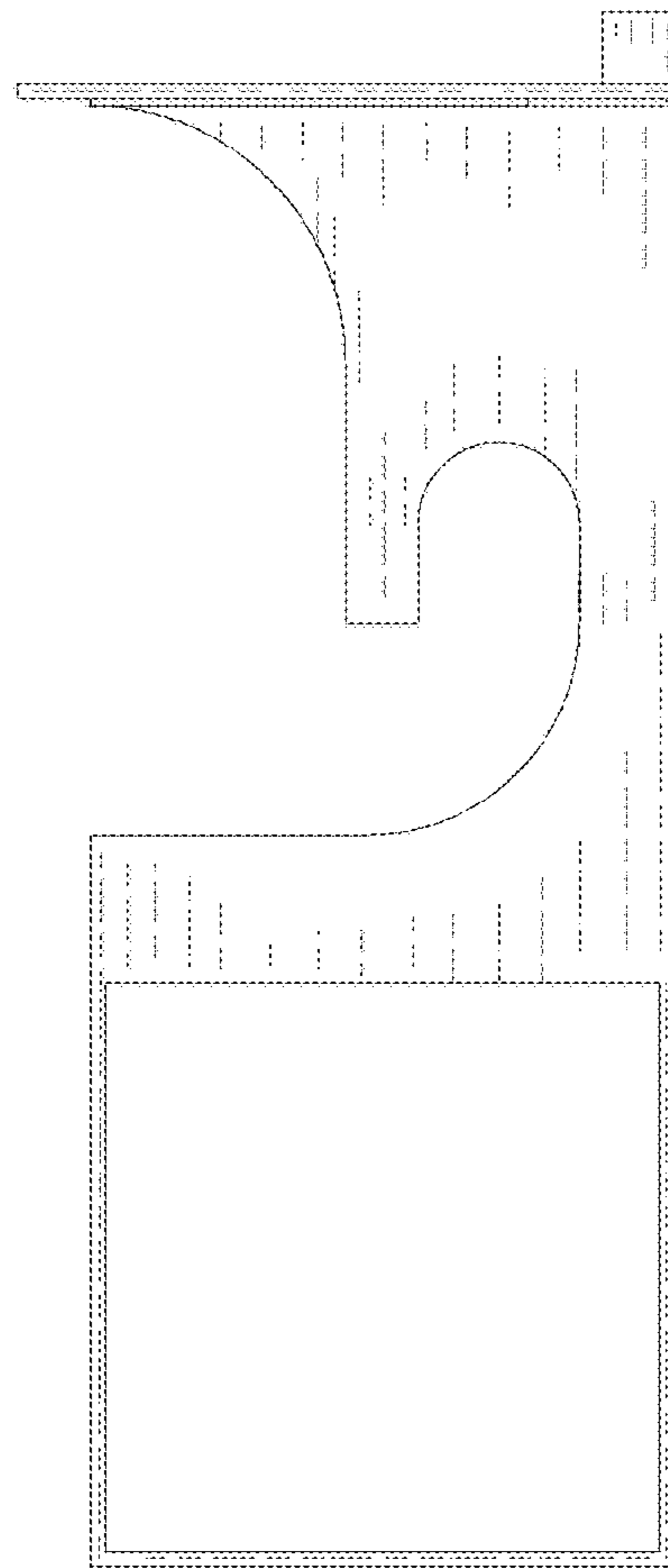


FIG. 9

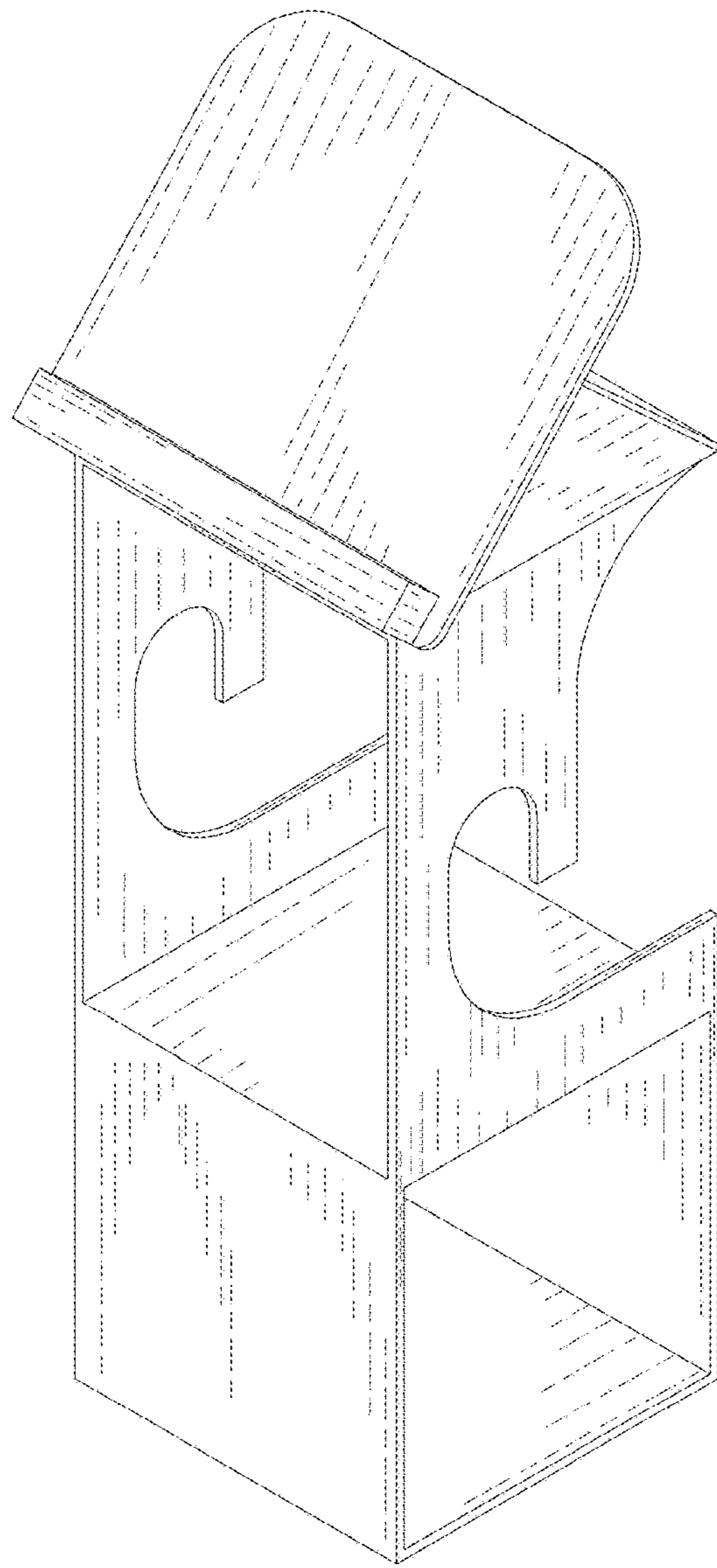


FIG. 10

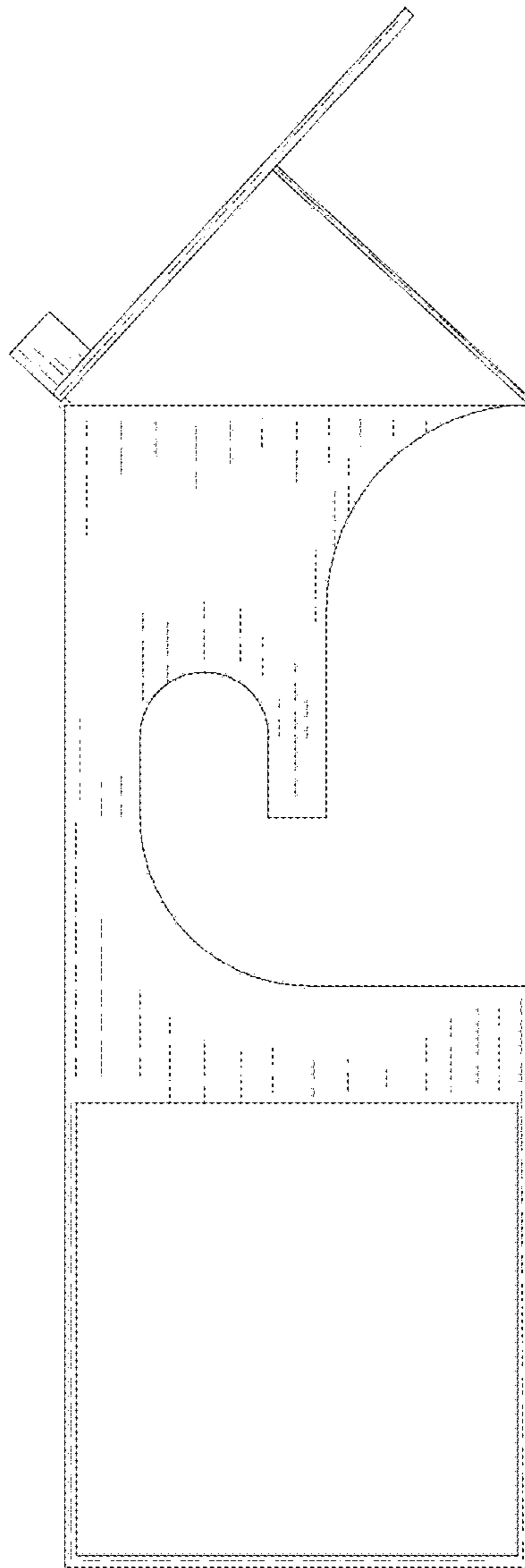


FIG. 11