



US00D850145S

(12) **United States Design Patent**  
**Roche**

(10) **Patent No.:** **US D850,145 S**  
(45) **Date of Patent:** **\*\* Jun. 4, 2019**

- (54) **SHEET PRODUCT DISPENSER**
- (71) Applicant: **GPCP IP Holdings LLC**, Atlanta, GA (US)
- (72) Inventor: **Nathan Patrick Roche**, Atlanta, GA (US)
- (73) Assignee: **GPCP IP HOLDINGS LLC**, Atlanta, GA (US)

D212,010 S 8/1968 Tucker  
 4,872,601 A 10/1989 Sigmund  
 D307,845 S \* 5/1990 Omdoll ..... D6/520  
 D310,922 S \* 10/1990 Sigmund ..... D6/520  
 D312,179 S 11/1990 De Luca et al.

(Continued)

(\*\*) Term: **15 Years**

(21) Appl. No.: **29/604,055**

(22) Filed: **May 15, 2017**

(51) **LOC (11) Cl.** ..... **20-02**

(52) **U.S. Cl.**  
USPC ..... **D6/520**

(58) **Field of Classification Search**  
 USPC ..... D6/515, 516, 517, 518, 519-523;  
           D7/550.1, 609, 610, 611, 612, 325, 348,  
           D7/350.1, 350.2, 367; 206/389;  
           242/570, 590, 595, 596, 598, 598.5,  
           242/598.6; 312/34.1, 34.8  
 CPC ..... A47K 10/3836; A47K 10/38; A47K  
           2010/3863; A47K 2010/3253; A47K  
           10/36; A47K 10/40; A47K 10/22; A47K  
           10/32; A47K 10/34; A47K 10/3687;  
           A47K 10/3827; A47K 10/3818; A47K  
           10/405; A47K 2010/3246; A47K  
           2010/326; A47F 5/0823; A47F 5/0861;  
           A47F 5/0006; A47F 5/0807; A47F  
           7/0028; A47F 5/0869; A47F 7/00; A47F  
           7/163; A47F 5/01; A47F 5/0815; A47F  
           5/0838; A47F 5/103; A47F 7/065; A47F  
           1/128; A47F 5/0018; A47F 5/04

See application file for complete search history.

(56) **References Cited**

**U.S. PATENT DOCUMENTS**

D156,646 S 6/1948 Mell  
 2,840,319 A 5/1956 Danko

**OTHER PUBLICATIONS**

Design U.S. Appl. No. 29/548,134, filed Dec. 10, 2015.

(Continued)

*Primary Examiner* — Wan Laymon

*Assistant Examiner* — Mark Booker

(74) *Attorney, Agent, or Firm* — Nelson Mullins Riley & Scarborough LLP

(57) **CLAIM**

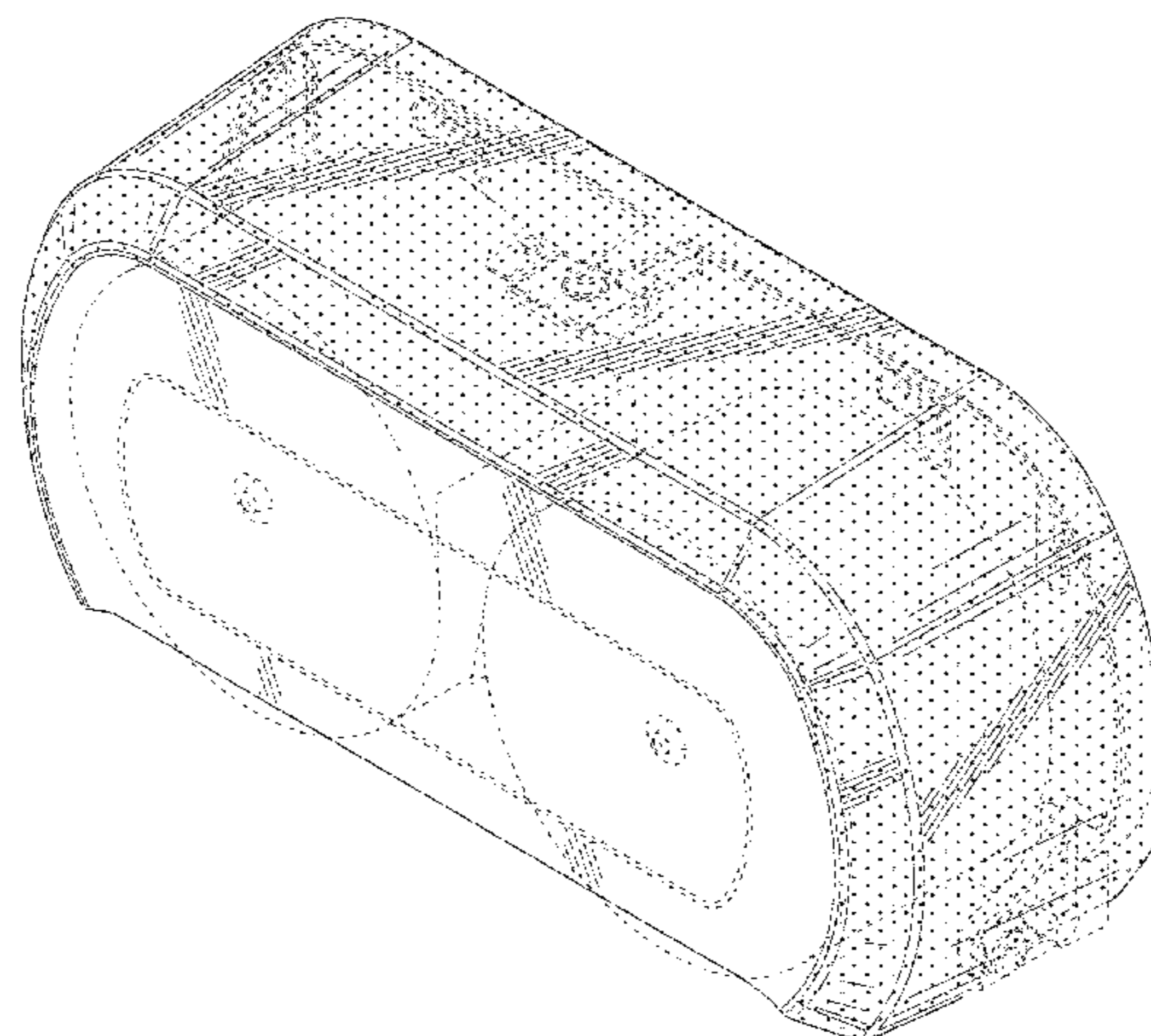
The ornamental design for a sheet product dispenser, as shown and described.

**DESCRIPTION**

FIG. 1 is a perspective view of a sheet product dispenser in accordance with the present invention;  
 FIG. 2 is a front view of the sheet product dispenser of FIG. 1;  
 FIG. 3 is a rear view of the sheet product dispenser of FIG. 1;  
 FIG. 4 is a right side view of the sheet product dispenser of FIG. 1;  
 FIG. 5 is a left side view of the sheet product dispenser of FIG. 1;  
 FIG. 6 is a top view of the sheet product dispenser of FIG. 1; and,  
 FIG. 7 is a bottom view of the sheet product dispenser of FIG. 1.

The broken lines in the drawings are included for the purpose of illustrating unclaimed features of the sheet product dispenser and form no part of the claimed design.

**1 Claim, 6 Drawing Sheets**



(56)

References Cited

U.S. PATENT DOCUMENTS

D335,410 S 5/1993 Abel et al.  
 5,265,816 A 11/1993 Collins  
 D351,520 S \* 10/1994 Frazier ..... D6/523  
 D358,516 S 5/1995 Chen  
 5,636,812 A 6/1997 Conner et al.  
 5,813,624 A 9/1998 Grasso et al.  
 5,954,256 A 9/1999 Niada  
 6,056,233 A 5/2000 Von Schenk  
 D441,228 S 5/2001 Andersson  
 D443,778 S 6/2001 Anderson  
 6,364,245 B1 \* 4/2002 Paal ..... A47K 10/3836  
 225/38  
 6,758,434 B2 7/2004 Kapiloff et al.  
 D543,402 S 5/2007 Goeking et al.  
 7,219,852 B2 5/2007 Tramontina et al.  
 D543,745 S 6/2007 Goeking et al.  
 D547,581 S 7/2007 Cittadino et al.  
 D551,474 S 9/2007 Cittadino et al.  
 D556,482 S 12/2007 Goeking et al.  
 D572,058 S 7/2008 Cittadino et al.  
 D605,444 S 12/2009 Marietta-Tondin  
 7,648,097 B2 1/2010 Cattacin et al.  
 D613,537 S 4/2010 Pattberg  
 D623,452 S 9/2010 McNeely et al.  
 D654,740 S \* 2/2012 Cheng ..... D6/520  
 D667,661 S 9/2012 Norton  
 D668,485 S 10/2012 Velazquez et al.  
 D695,542 S 12/2013 Niada  
 D719,373 S 12/2014 Hawry et al.  
 8,991,647 B2 \* 3/2015 Meyers ..... A61L 2/22  
 221/96  
 D727,058 S 4/2015 Morand  
 D756,683 S 5/2016 Morand  
 D761,585 S 7/2016 Roche et al.  
 D766,612 S 9/2016 Roche et al.  
 D782,842 S \* 4/2017 Morand ..... D6/520  
 D790,872 S \* 7/2017 Ku ..... D6/518  
 D818,737 S \* 5/2018 Cross ..... D6/520  
 D818,738 S 5/2018 Cross  
 2002/0050544 A1 5/2002 Stanland et al.

2006/0102770 A1 5/2006 Goeking et al.  
 2007/0290094 A1 12/2007 Anderson  
 2008/0128448 A1 6/2008 Cittadino et al.  
 2008/0156926 A1 7/2008 Cattacin et al.  
 2014/0103133 A1 4/2014 Muderlak et al.

OTHER PUBLICATIONS

Design Appl. No. 29/600,286 and Preliminary Amendment filed Apr. 11, 2017.  
 Compact Bath Tissue and Dispensers-Brands-Georgia-Pacific Professional [online][retrieved Dec. 14, 2015]. Retrieved from the Internet: <URL: [https://www.gppro.com/brand\\_compact.aspx](https://www.gppro.com/brand_compact.aspx)>. 3 pages.  
 Compact® Coreless Bathroom Tissue & Dispensers [online][retrieved Dec. 14, 2015]. Retrieved from the Internet: <URL: <https://www.catalog.gppro.com/catalog/6281>>. 8 pages.  
 Dispenser [online][retrieved Apr. 12, 2017]. Retrieved from the Internet: <URL: <http://www.mepsol.com.br/images/dispenser01.png>>. (undated) 1 page.  
 Georgia pacific tissue dispenser—Google Search [online][retrieved Mar. 9, 2016]. Retrieved from the Internet: <URL: [https://www.google.com/search?q=georgia+pacific+toilet+paper+dispenser&source=lnms&tbm=isch&sa=X&ved=0ahUKEwiXyoq187PLAhUJKiYKHURwAaIQ\\_AUICCGC#tbm=isch&q=georgia+pacific+tissue+dispenser](https://www.google.com/search?q=georgia+pacific+toilet+paper+dispenser&source=lnms&tbm=isch&sa=X&ved=0ahUKEwiXyoq187PLAhUJKiYKHURwAaIQ_AUICCGC#tbm=isch&q=georgia+pacific+tissue+dispenser)>. 2 pages.  
 Georgia pacific toilet paper dispenser—Google Search [online][retrieved Mar. 9, 2016]. Retrieved from the Internet: <URL: [https://www.google.com/search?q=georgia+pacific+toilet+paper+dispenser&source=lnms&tbm=isch&sa=X&ved=0ahUKEwiXyoq187PLAhuJKiYKHURwAaIQ\\_AUICCGC](https://www.google.com/search?q=georgia+pacific+toilet+paper+dispenser&source=lnms&tbm=isch&sa=X&ved=0ahUKEwiXyoq187PLAhuJKiYKHURwAaIQ_AUICCGC)>. 3 pages.  
 Georgia-Pacific Compact 56784 Translucent Smoke Side-By-Side Double Roll Bathroom Tissue Dispenser: Toilet Paper Holders: Amazon.com [online] [retrieved Dec. 14, 2015]. Retrieved from the Internet: <URL: [https://www.amazon.com/gp/product/B001B0E7M0/re=s9\\_al\\_bw\\_g328\\_il](https://www.amazon.com/gp/product/B001B0E7M0/re=s9_al_bw_g328_il)>, 7 pages.  
 Linha Dispensers [online][retrieved Apr. 12, 2017]. Retrieved from the Internet: <URL: [http://www.mepsol.com.br/1\\_dispensers.html](http://www.mepsol.com.br/1_dispensers.html)>. (undated) 1 page.

\* cited by examiner



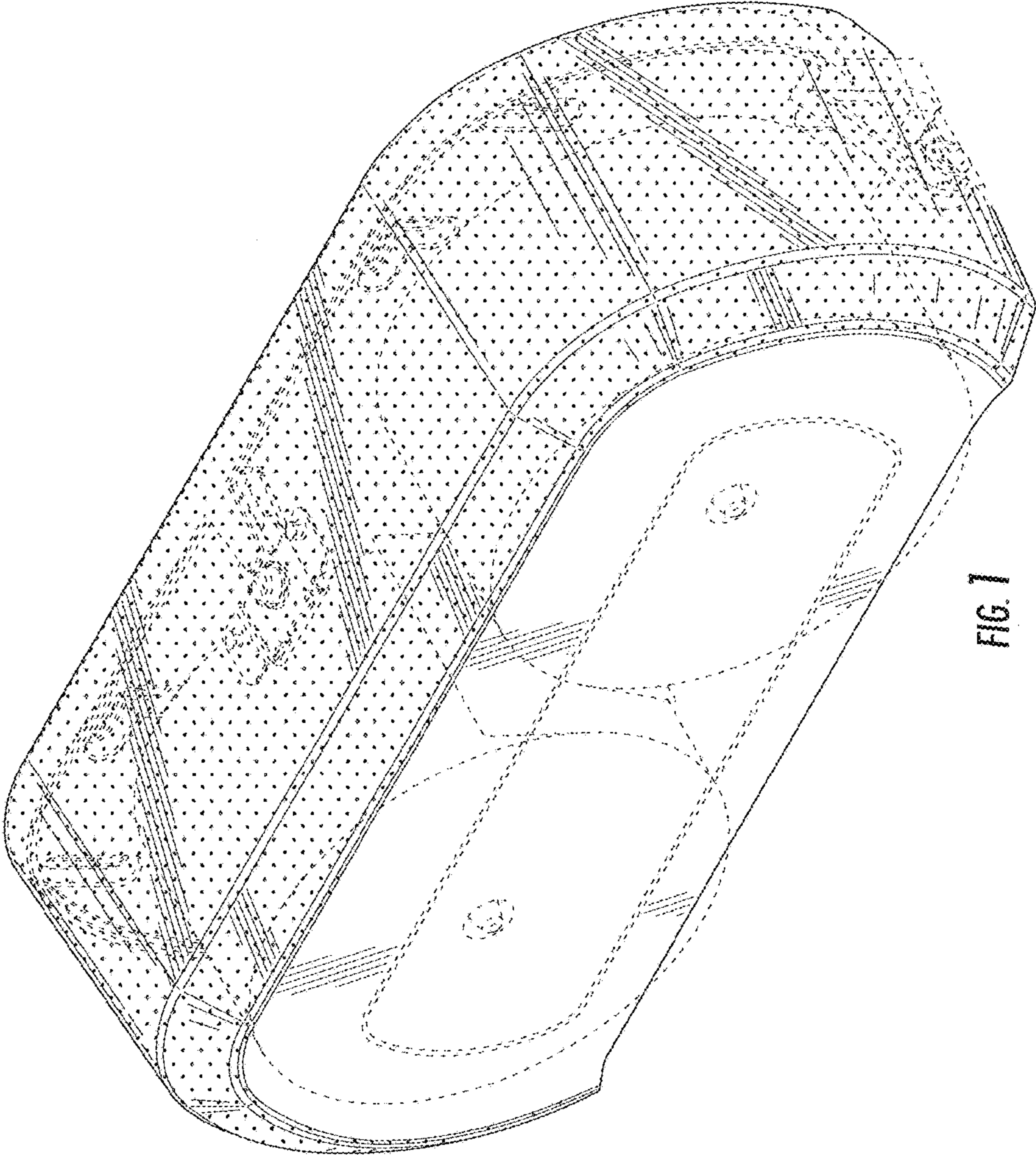


FIG. 1

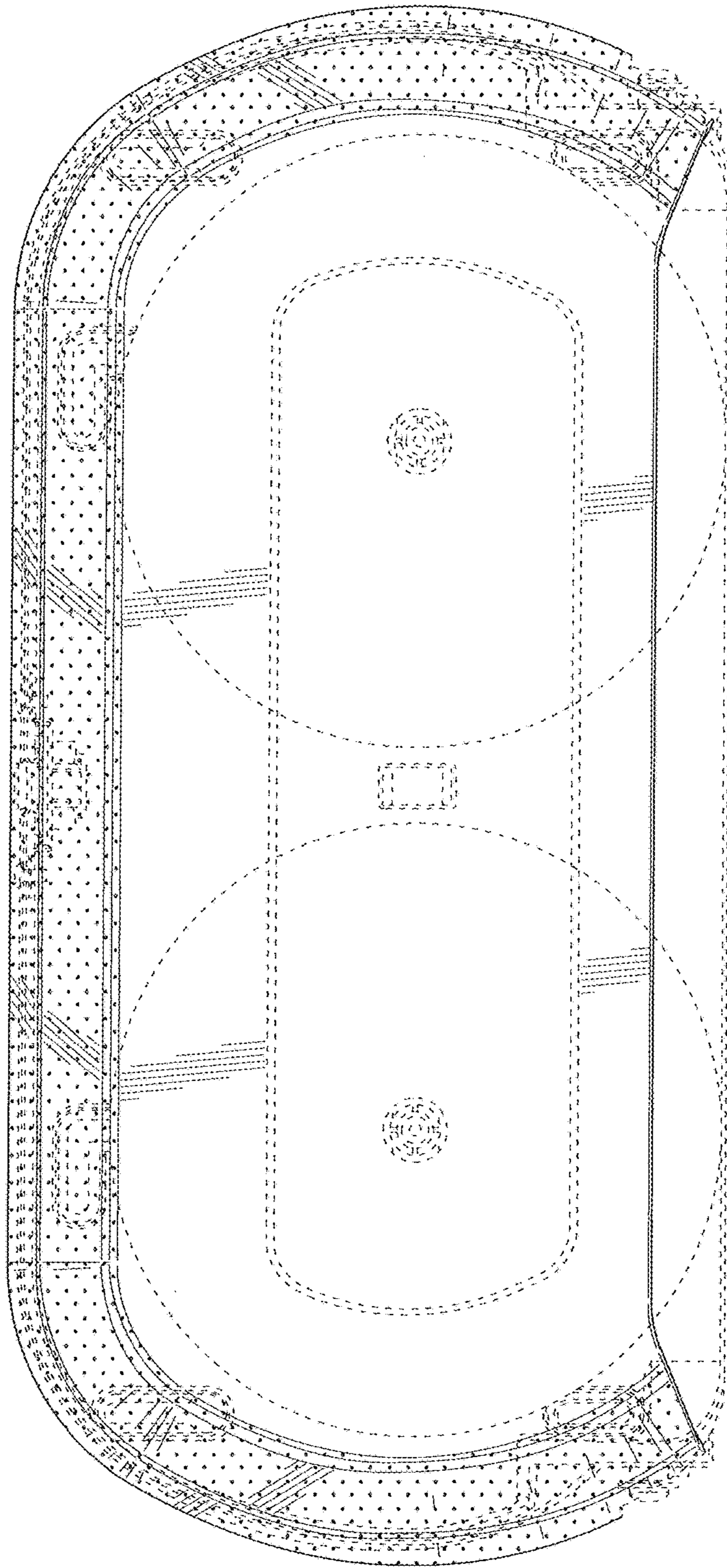


FIG. 2

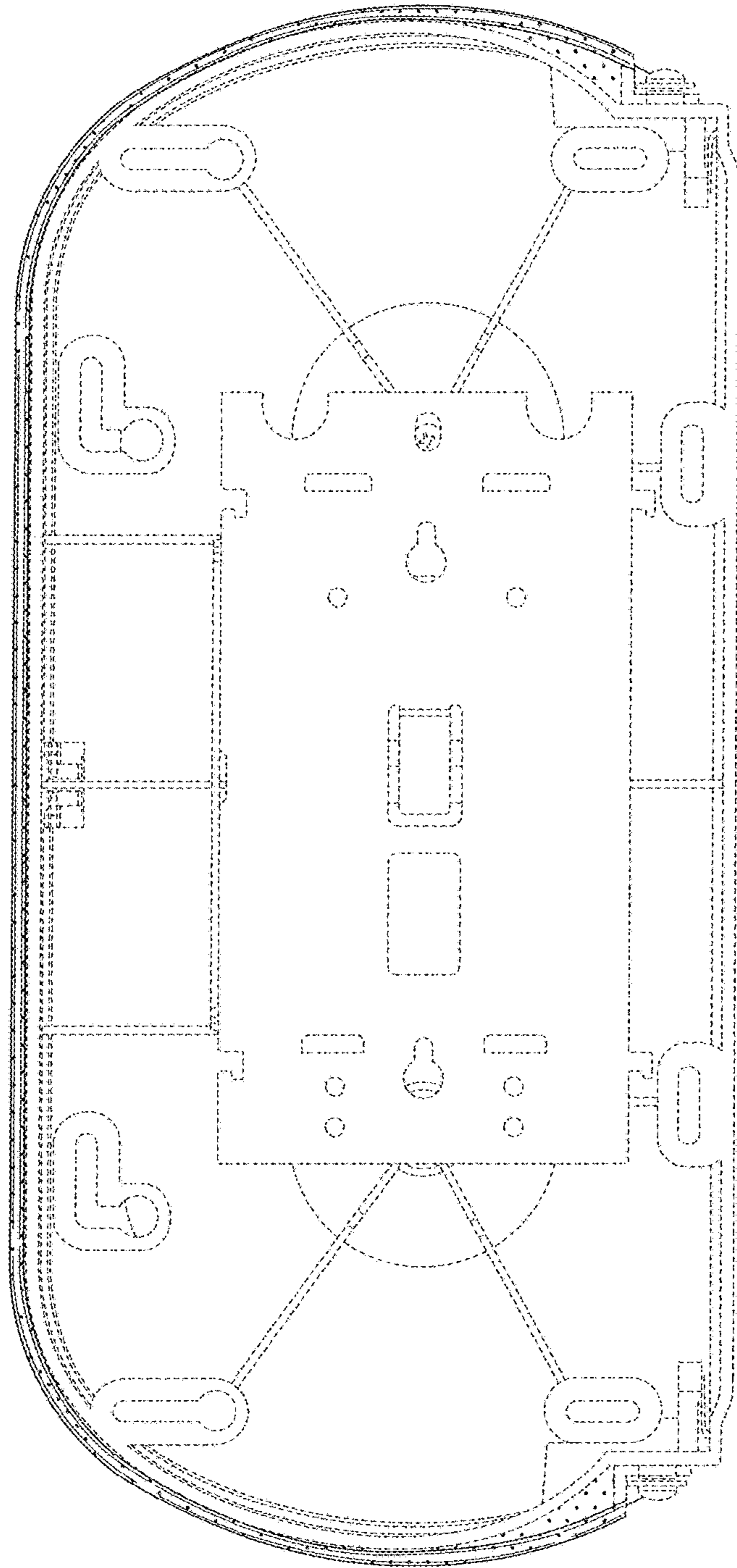


FIG. 3



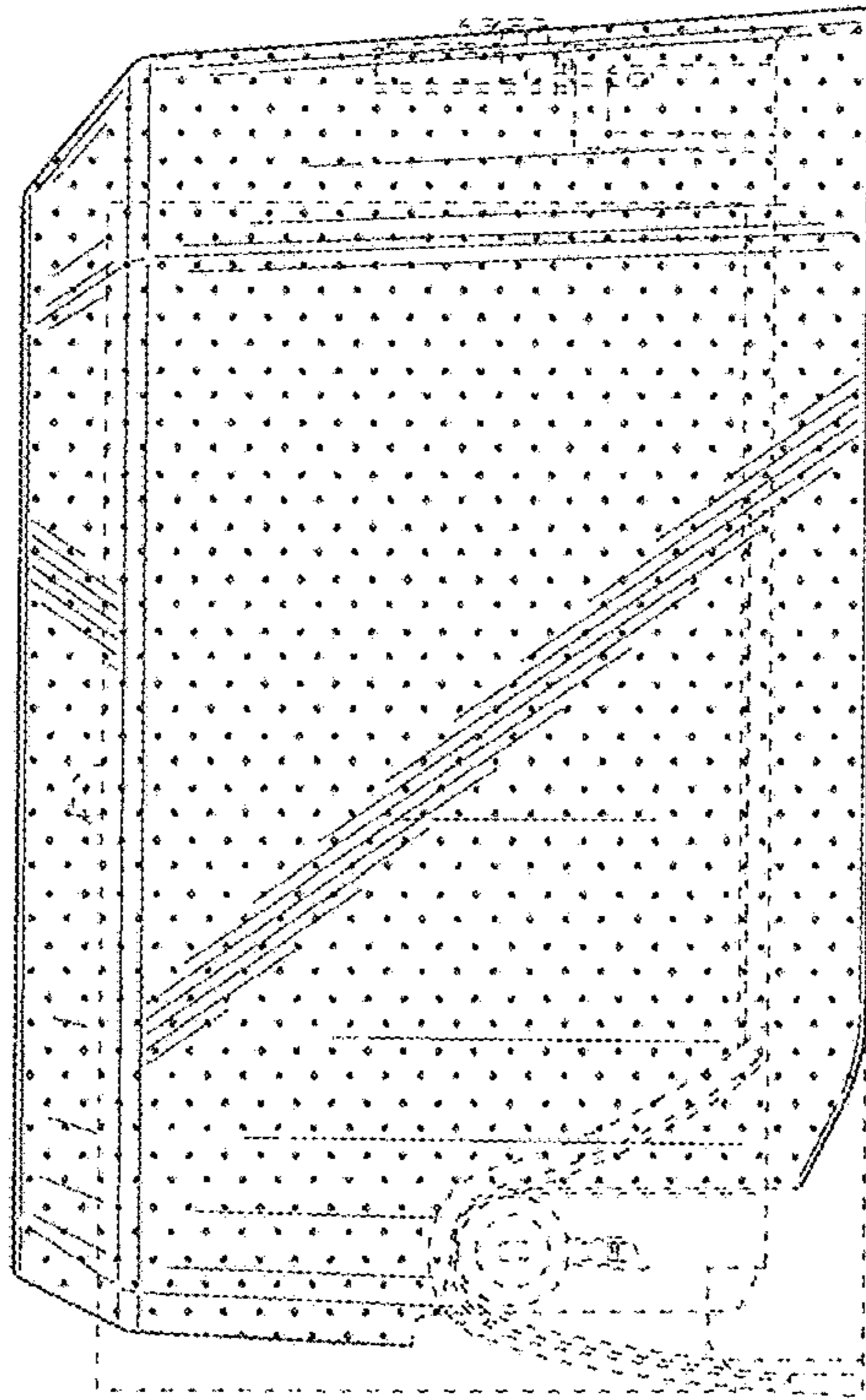


FIG. 4

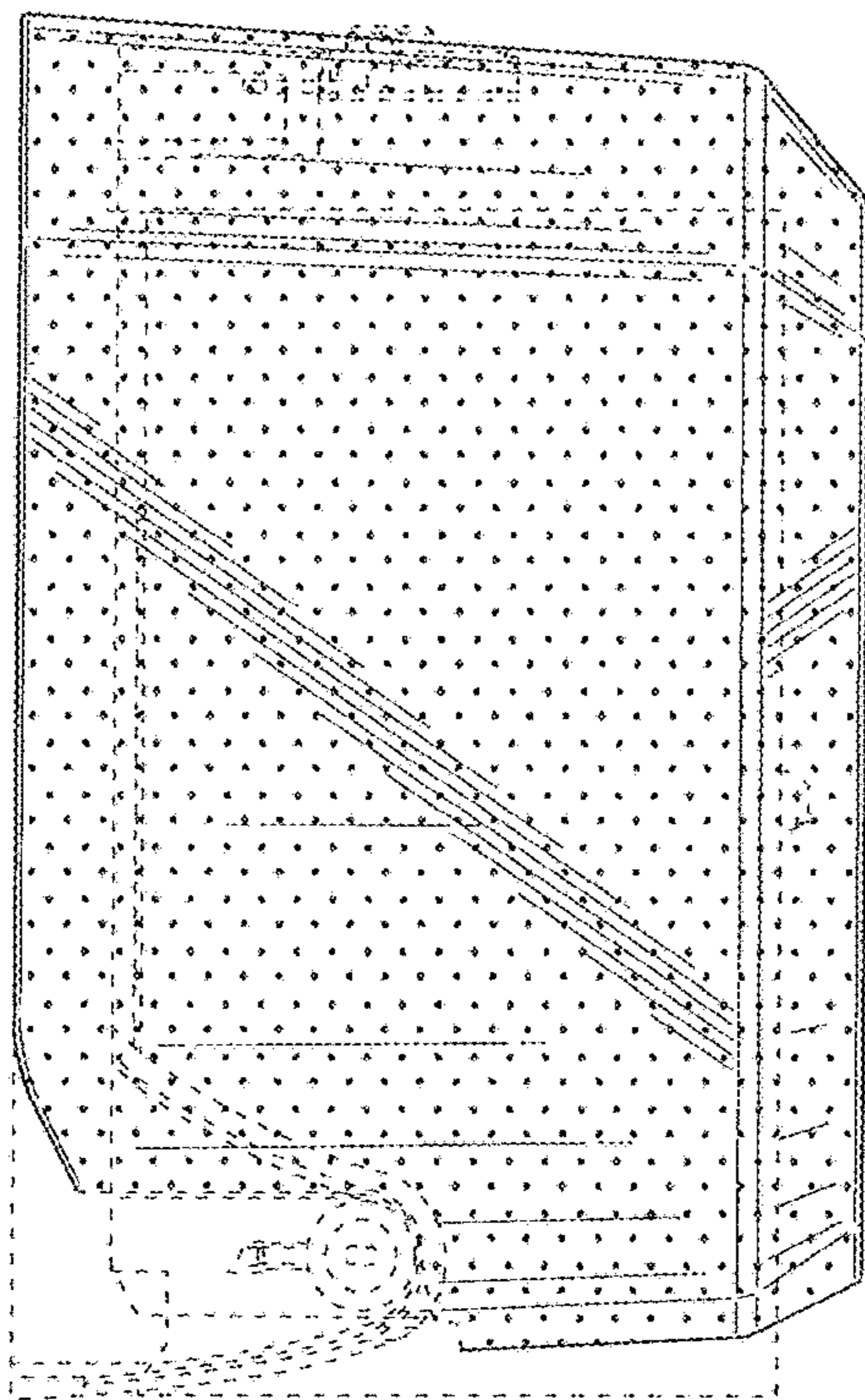


FIG. 5

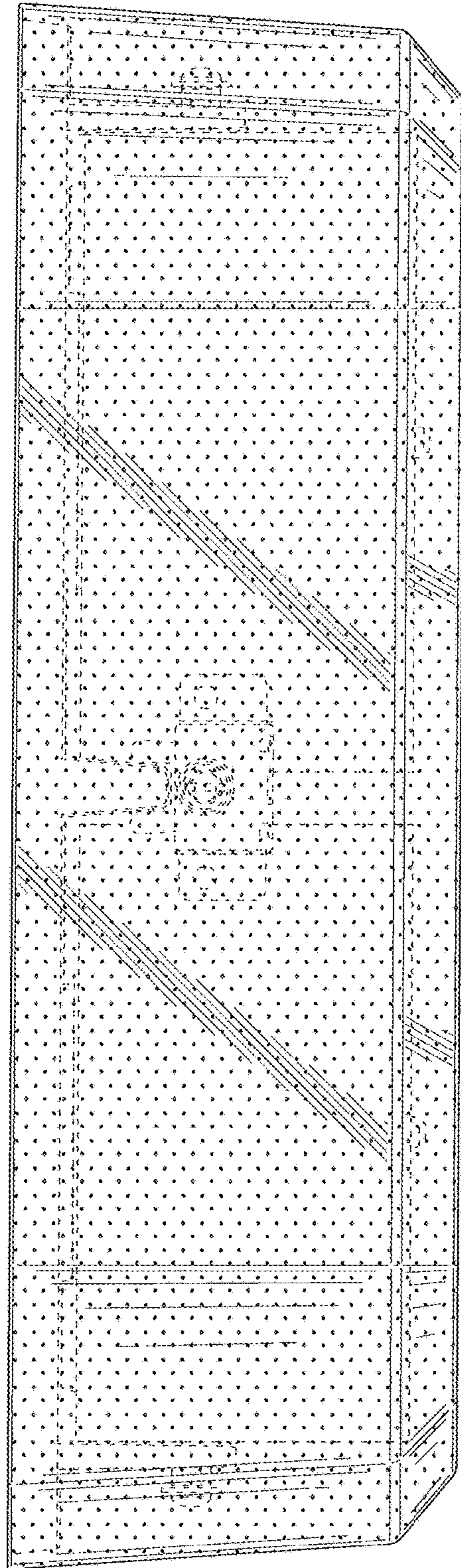


FIG. 6

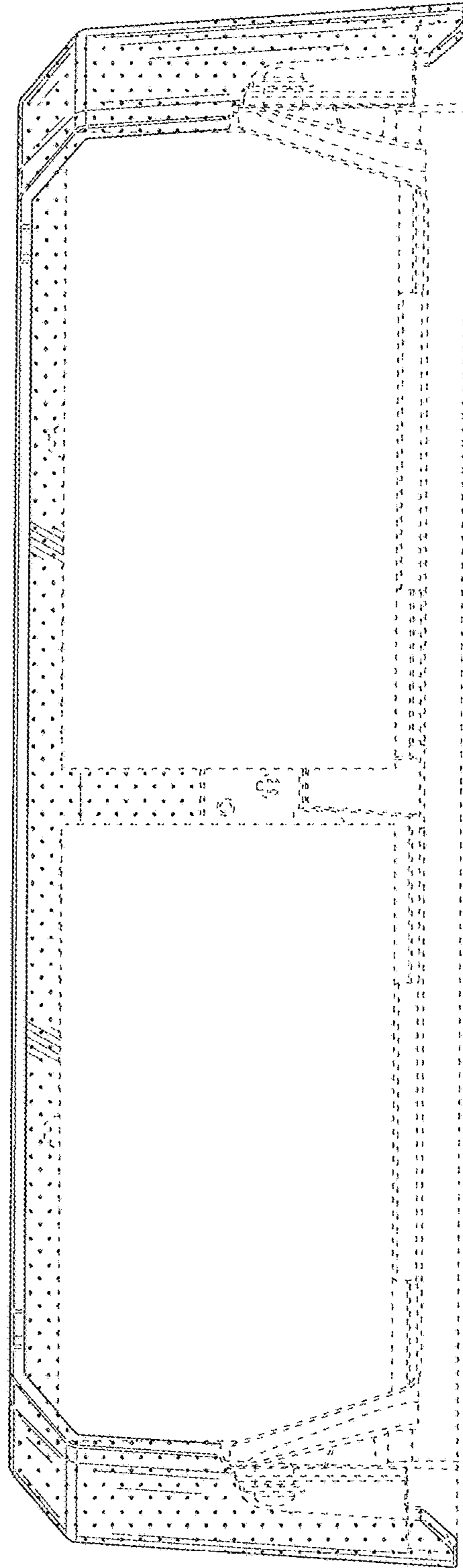


FIG. 7