



US00D850144S

(12) **United States Design Patent** (10) **Patent No.:** **US D850,144 S**
Joseph (45) **Date of Patent:** **** Jun. 4, 2019**

(54) **TISSUE HOLDER**

(71) Applicant: **Rony Koshy Joseph**, West Lafayette, IN (US)

(72) Inventor: **Rony Koshy Joseph**, West Lafayette, IN (US)

(**) Term: **15 Years**

(21) Appl. No.: **29/625,327**

(22) Filed: **Nov. 8, 2017**

(51) **LOC (11) Cl.** **20-02**

(52) **U.S. Cl.**
USPC **D6/518**

(58) **Field of Classification Search**
USPC D6/518, 519-524, 546-550, 300, 466, D6/512, 553, 567; D8/300, 303, D8/315-321; 16/110.1, 415, 216; 206/225, 233, 289, 391, 812, 824; 211/13.1, 45.1; 222/173, 180; 221/26, 221/33, 282-283; 248/309.1, 309.2, 905; D19/86, 90, 91; D9/337, 414, 416, 417, D9/418, 430, 432, 422
CPC A47K 10/38; A47K 2010/3266; A47K 2010/3253; A47K 10/421; A47K 10/185; A47K 10/42; B65D 83/0805; A45F 5/04
See application file for complete search history.

(56) **References Cited**

U.S. PATENT DOCUMENTS

D464,513 S *	10/2002	Ong	D6/518
D514,437 S *	2/2006	Kim	D9/416
D627,998 S *	11/2010	Yang	D6/518
D634,954 S *	3/2011	Montoya	D6/523
D660,626 S *	5/2012	Garner	D6/520

* cited by examiner

Primary Examiner — Wan Laymon
Assistant Examiner — Mark Booker

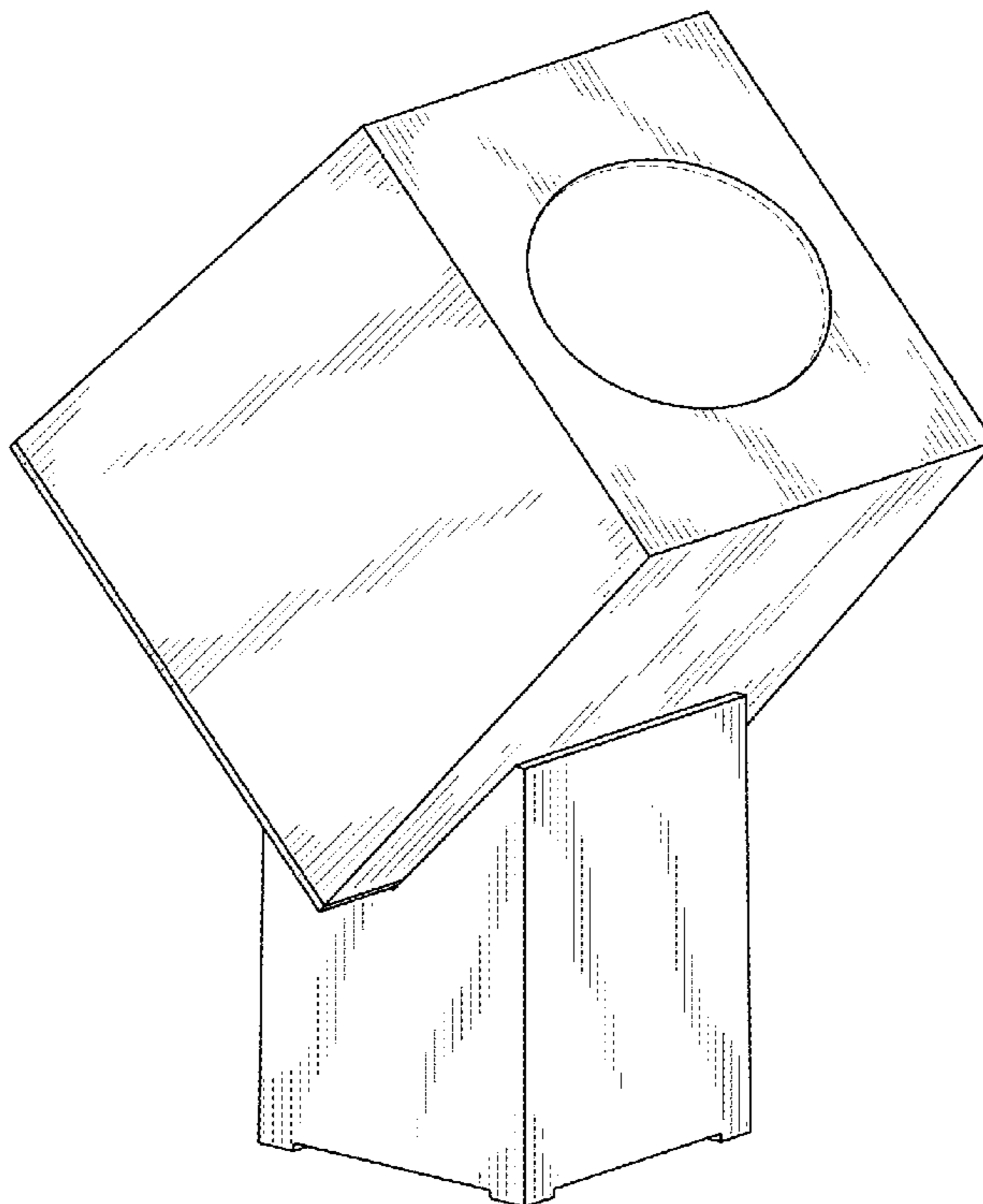
(57) **CLAIM**

The ornamental design for a tissue holder, as shown and described.

DESCRIPTION

FIG. 1 is a front perspective view of the tissue holder showing my new design;
FIG. 2 is a front elevation view thereof;
FIG. 3 is a rear elevation view thereof;
FIG. 4 is a left side elevation thereof;
FIG. 5 is a right side elevation view thereof;
FIG. 6 is a top plan view thereof; and,
FIG. 7 is a bottom plan view thereof.
The broken lines shown in the figures are included for the purpose of illustrating portions of the tissue holder and form no part of the claimed design.

1 Claim, 5 Drawing Sheets



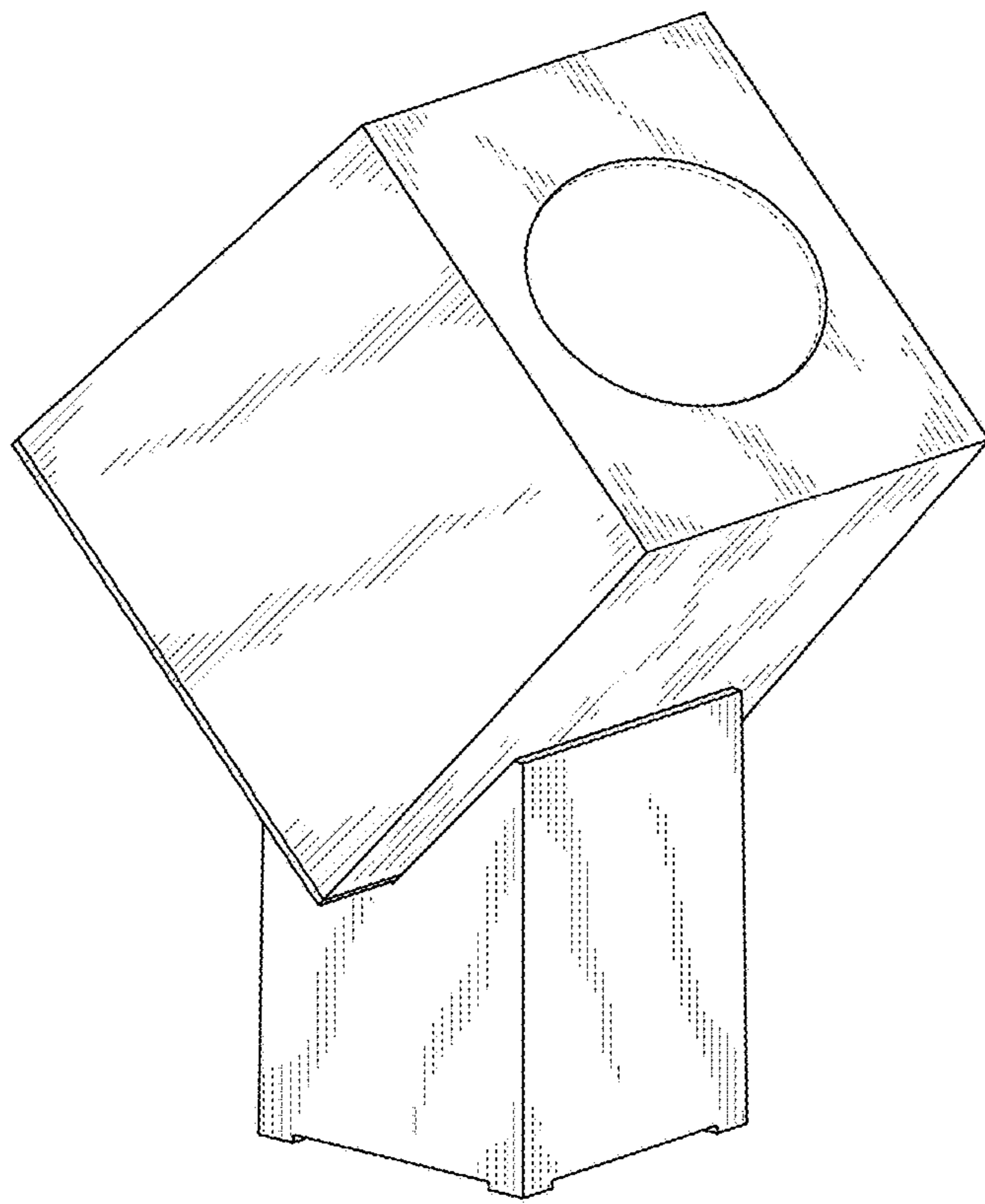


FIG. 1

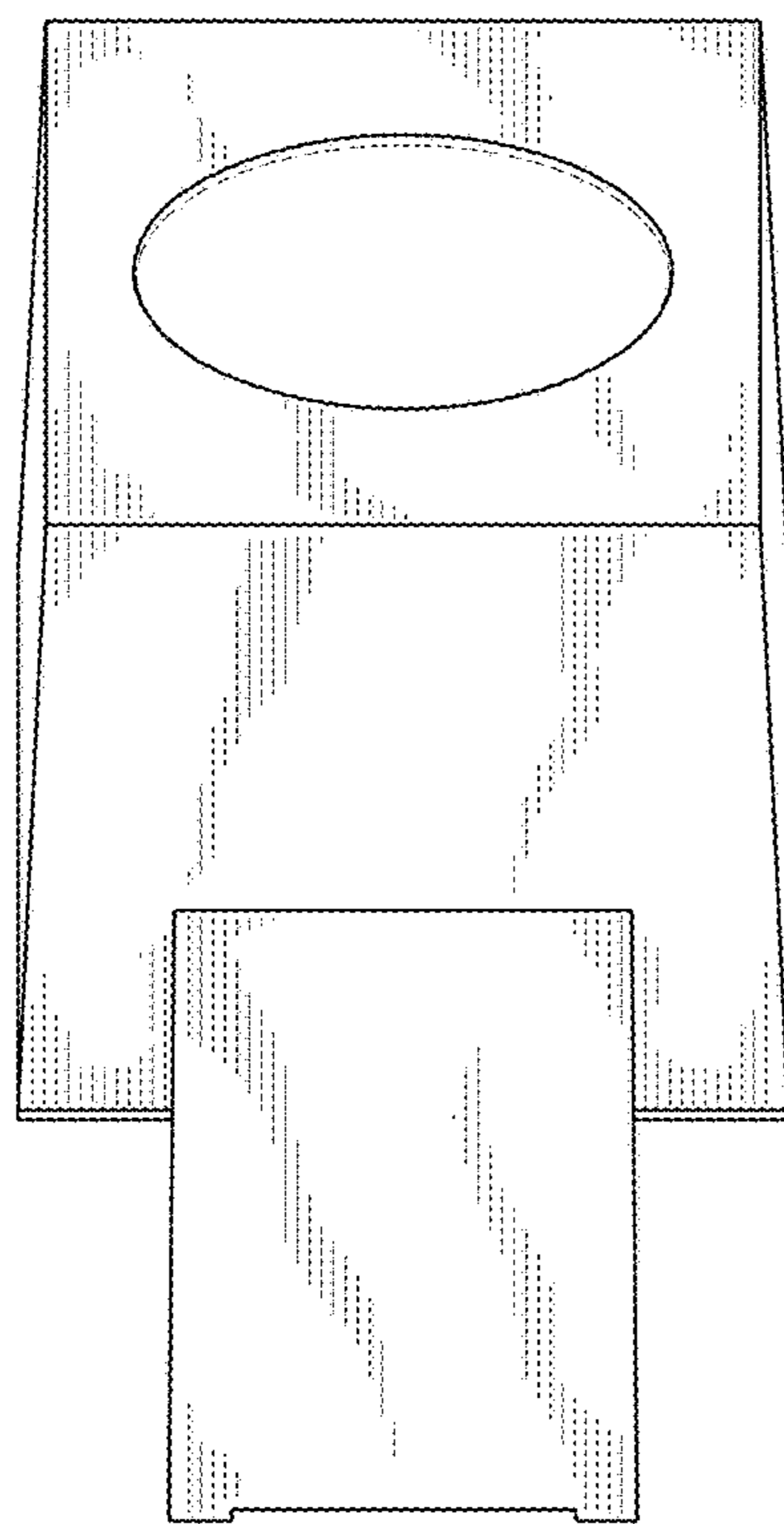


FIG. 2

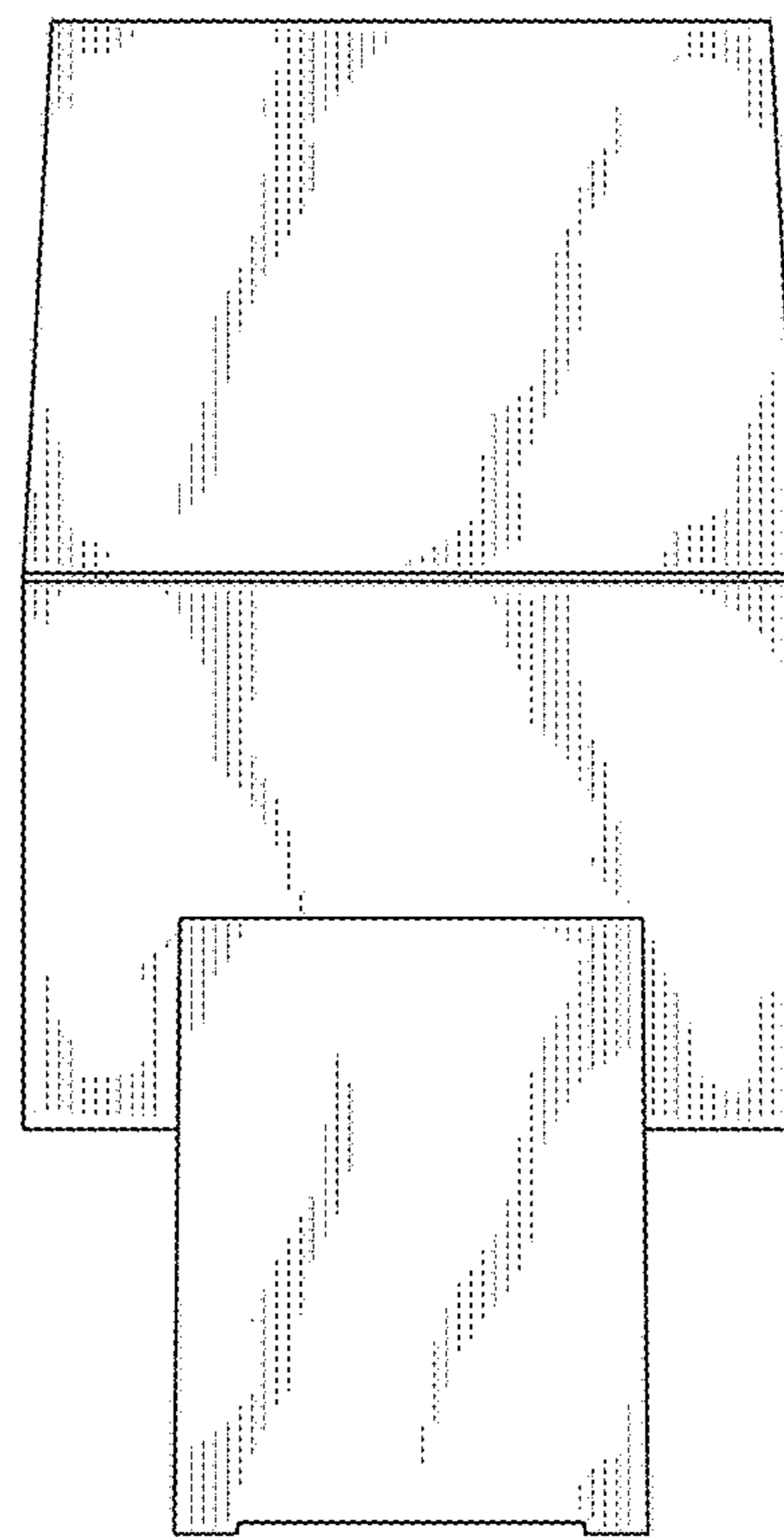


FIG. 3

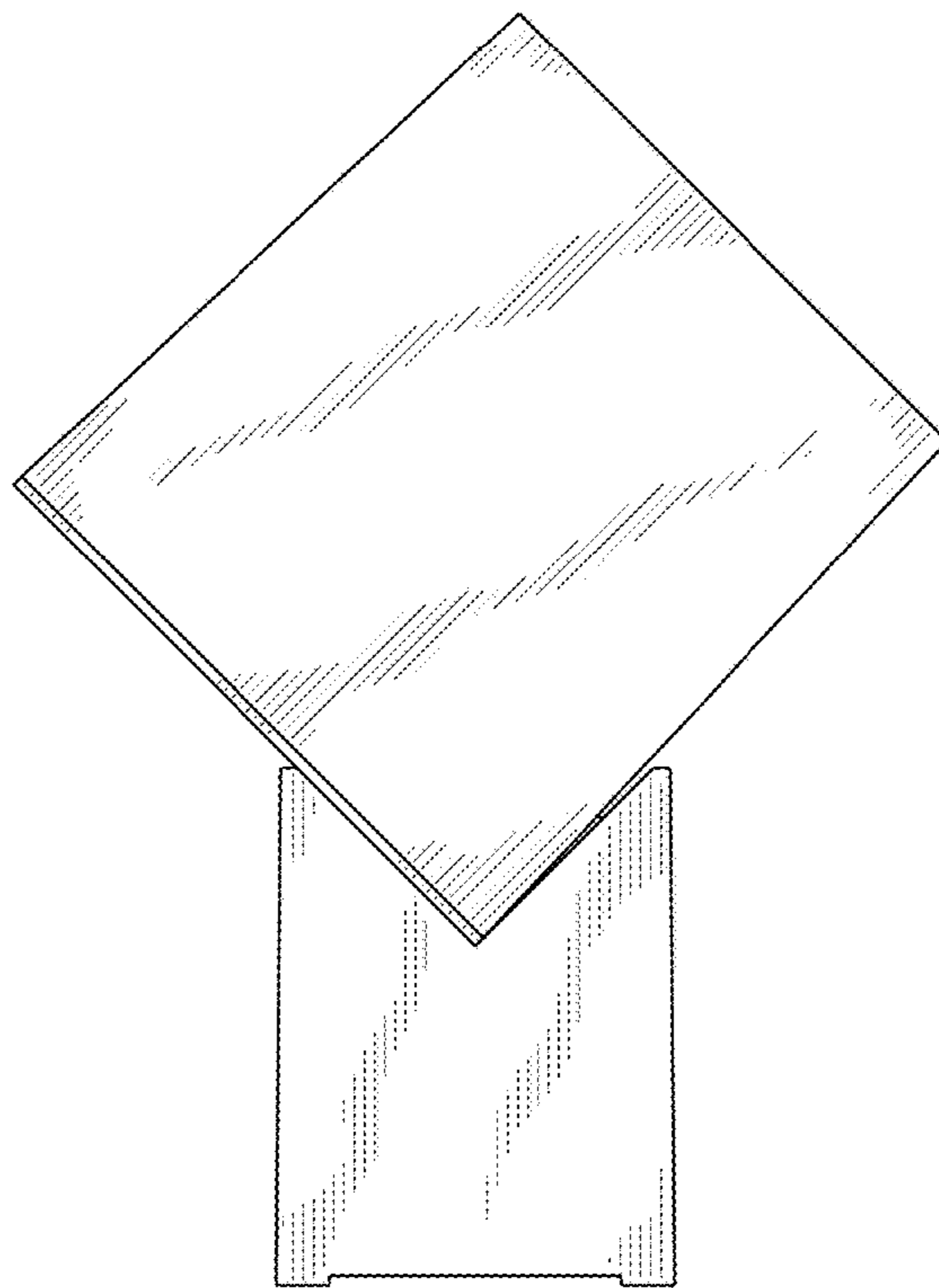


FIG. 4

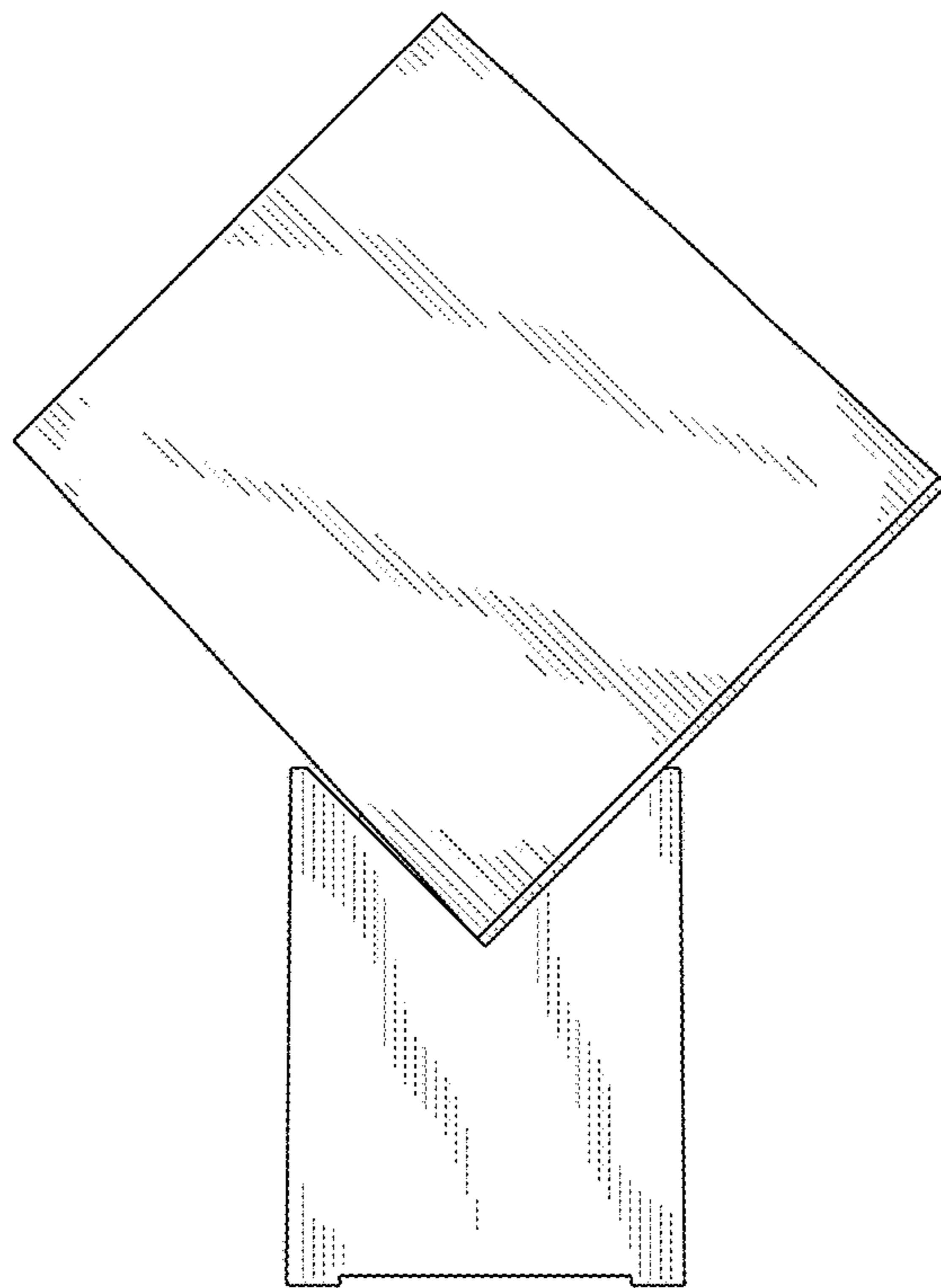


FIG. 5

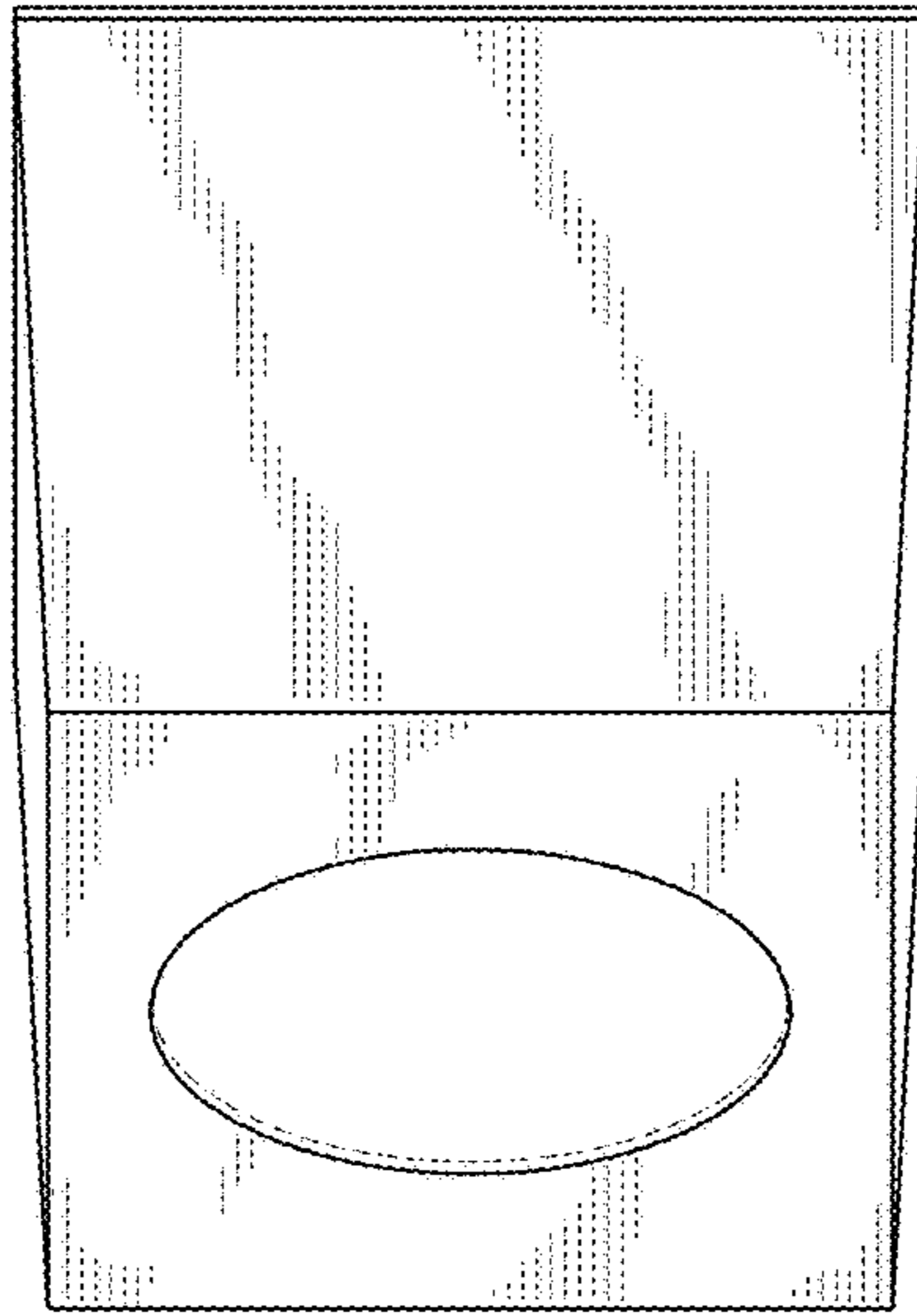


FIG. 6

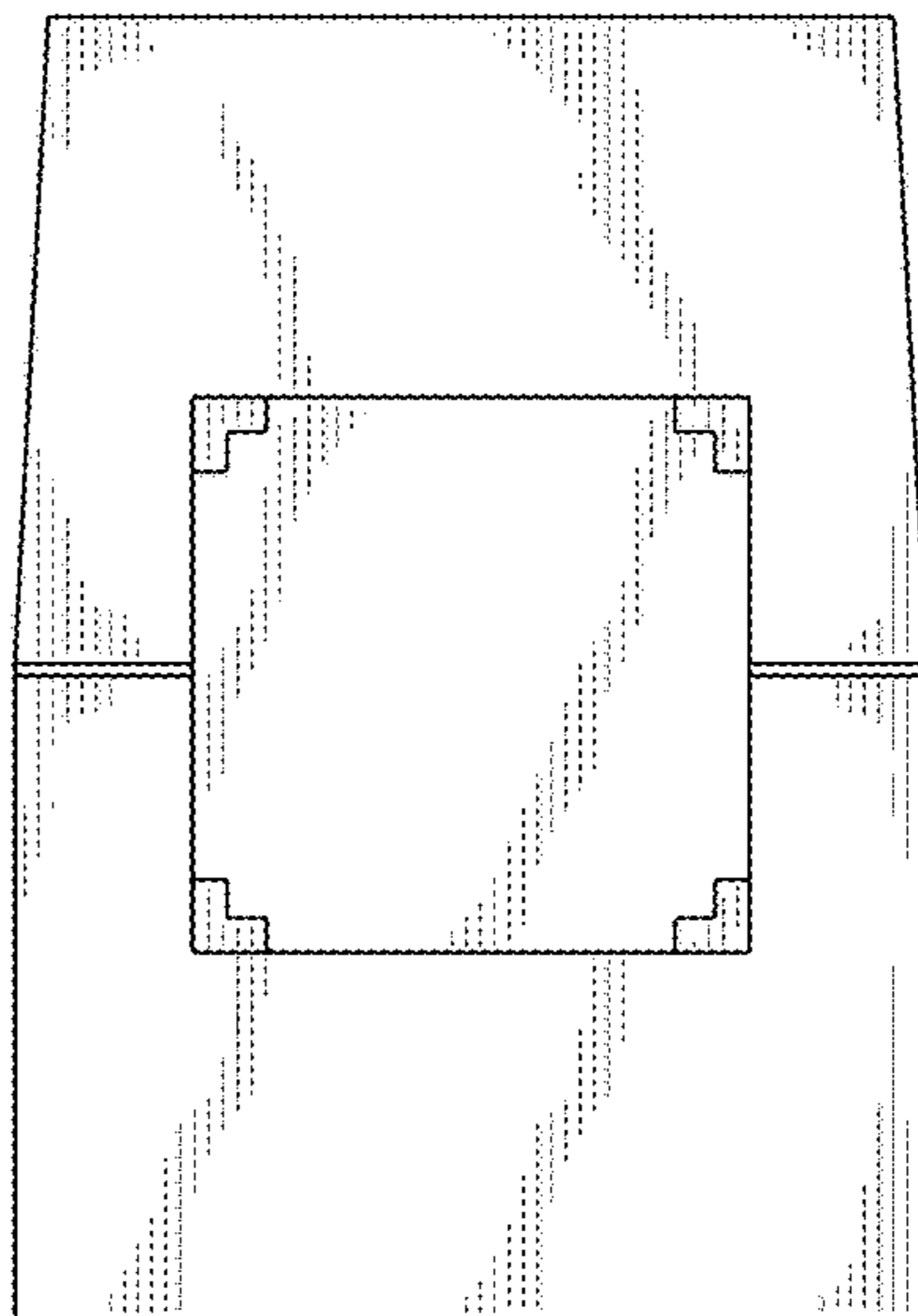


FIG. 7