



US00D850143S

(12) **United States Design Patent** (10) **Patent No.:** **US D850,143 S**
Dallaire (45) **Date of Patent:** **** Jun. 4, 2019**

(54) **ITEM DISPENSING WORKSTATION**

(71) Applicant: **9155-0020 QUEBEC INC.**, Granby (CA)

(72) Inventor: **Michel Dallaire**, Montreal (CA)

(73) Assignee: **9155-0020 QUEBEC INC.**, Granby, Quebec (CA)

(**) Term: **15 Years**

(21) Appl. No.: **29/581,811**

(22) Filed: **Oct. 21, 2016**

(30) **Foreign Application Priority Data**

Apr. 22, 2016 (CA) 168065

(51) **LOC (11) Cl.** **24-01**

(52) **U.S. Cl.**
USPC **D6/515**

(58) **Field of Classification Search**

USPC D6/515, 657, 153, 154, 159, 168, 561, D6/671.1; D15/141; 312/204, 245, 294, 312/33 R; D10/97; D22/116; 144/285
CPC A61J 7/02; B65B 57/20; G07F 17/0092; G07F 19/20; G07F 19/202; G07F 7/086; G07F 17/0042; G06Q 20/20
See application file for complete search history.

(56) **References Cited**

U.S. PATENT DOCUMENTS

D435,362 S * 12/2000 Goza D6/657
D517,438 S * 3/2006 Sato D10/97
D539,943 S * 4/2007 Egawa D26/24
D539,944 S * 4/2007 Egawa D26/24

D564,818 S * 3/2008 Punzel D6/561
D577,529 S * 9/2008 Punzel D6/561
D595,517 S * 7/2009 Fiori D6/657
D628,418 S * 12/2010 Camacho-Pantoja D6/534
D634,140 S * 3/2011 Camacho-Pantoja D6/534
D682,595 S * 5/2013 Altier D6/682.2
D812,935 S * 3/2018 Hannoosh D6/671.1
2008/0210649 A1 * 9/2008 Faust A47F 5/0807
211/59.1
2017/0232607 A1 * 8/2017 Michael A47B 88/42
312/107

* cited by examiner

Primary Examiner — David G Muller

Assistant Examiner — Nathan M Johnston

(74) *Attorney, Agent, or Firm* — Eversheds Sutherland (US) LLP

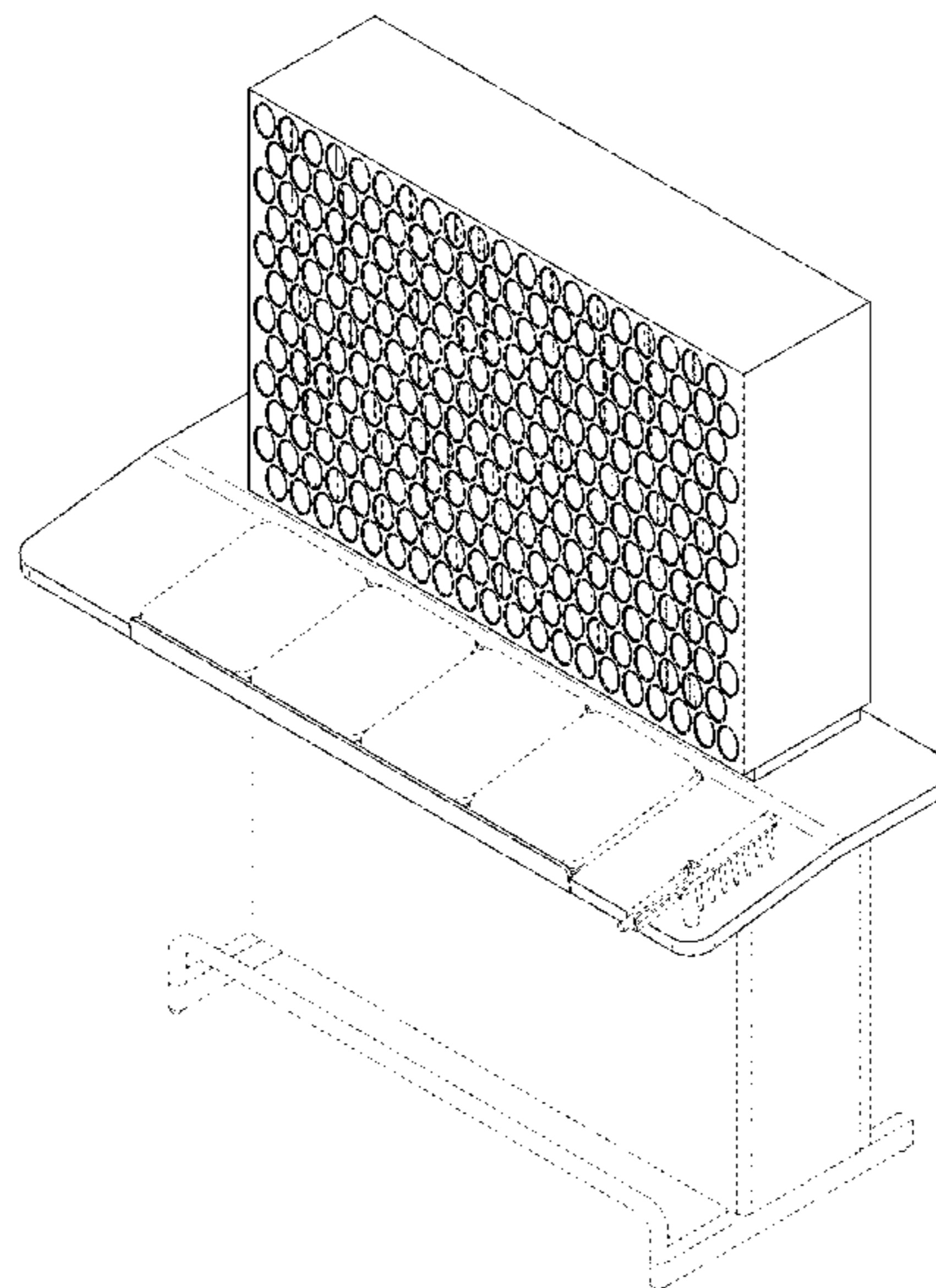
(57) **CLAIM**

I claim the ornamental design for an item dispensing workstation, as shown and described.

DESCRIPTION

FIG. 1 is a perspective view showing our new design for an item dispensing workstation;
FIG. 2 is a front view showing the design of FIG. 1;
FIG. 3 is a rear view showing the design of FIG. 1;
FIG. 4 is a top view showing the design of FIG. 1;
FIG. 5 is a bottom view showing the design of FIG. 1;
FIG. 6 is a right-hand view showing the design of FIG. 1;
and,
FIG. 7 is a left-hand view showing the design of FIG. 1.
In FIGS. 1-7, the broken lines and shading are for purposes of illustration only, and do not form a part of the claimed design.

1 Claim, 7 Drawing Sheets



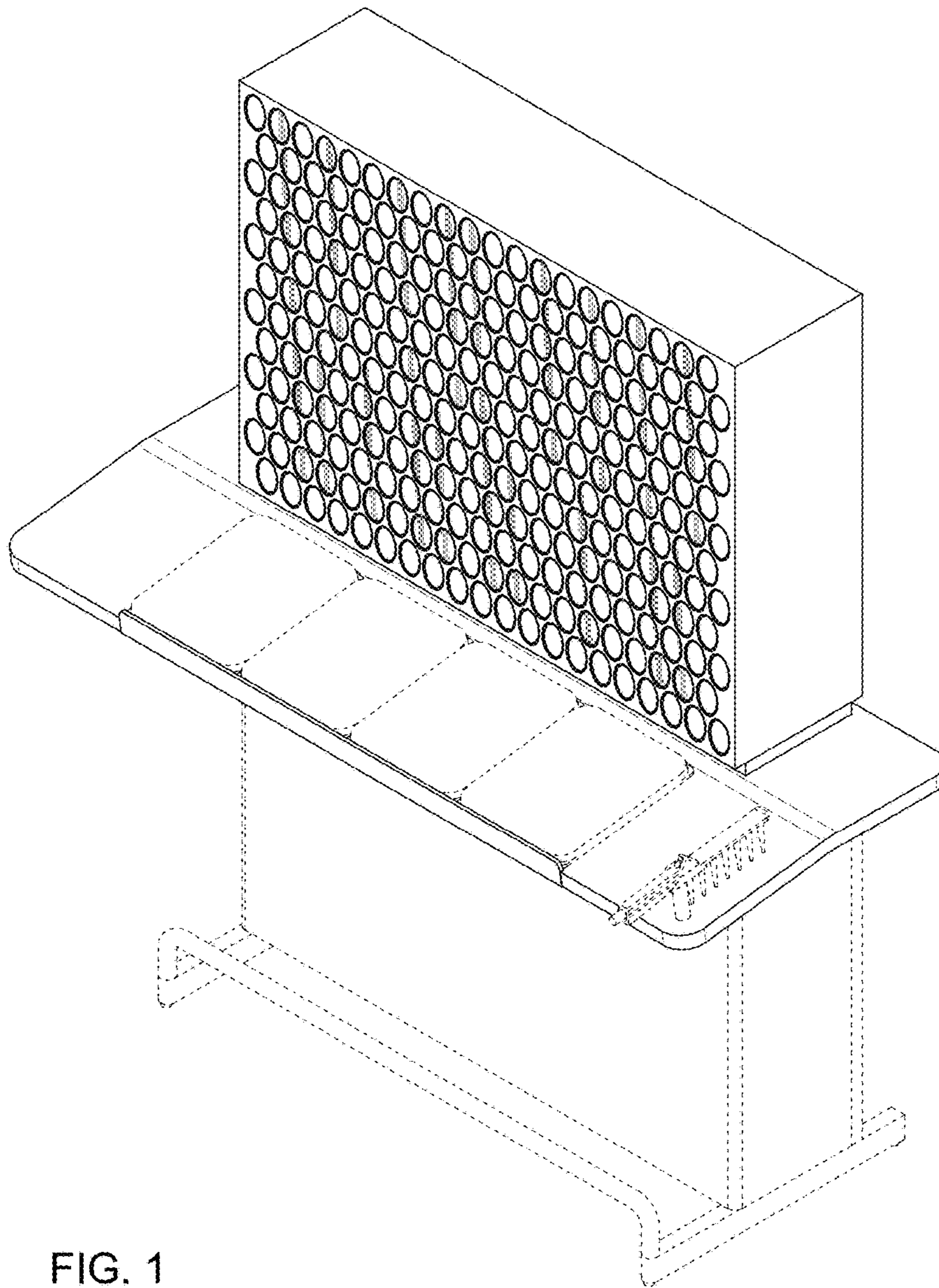


FIG. 1

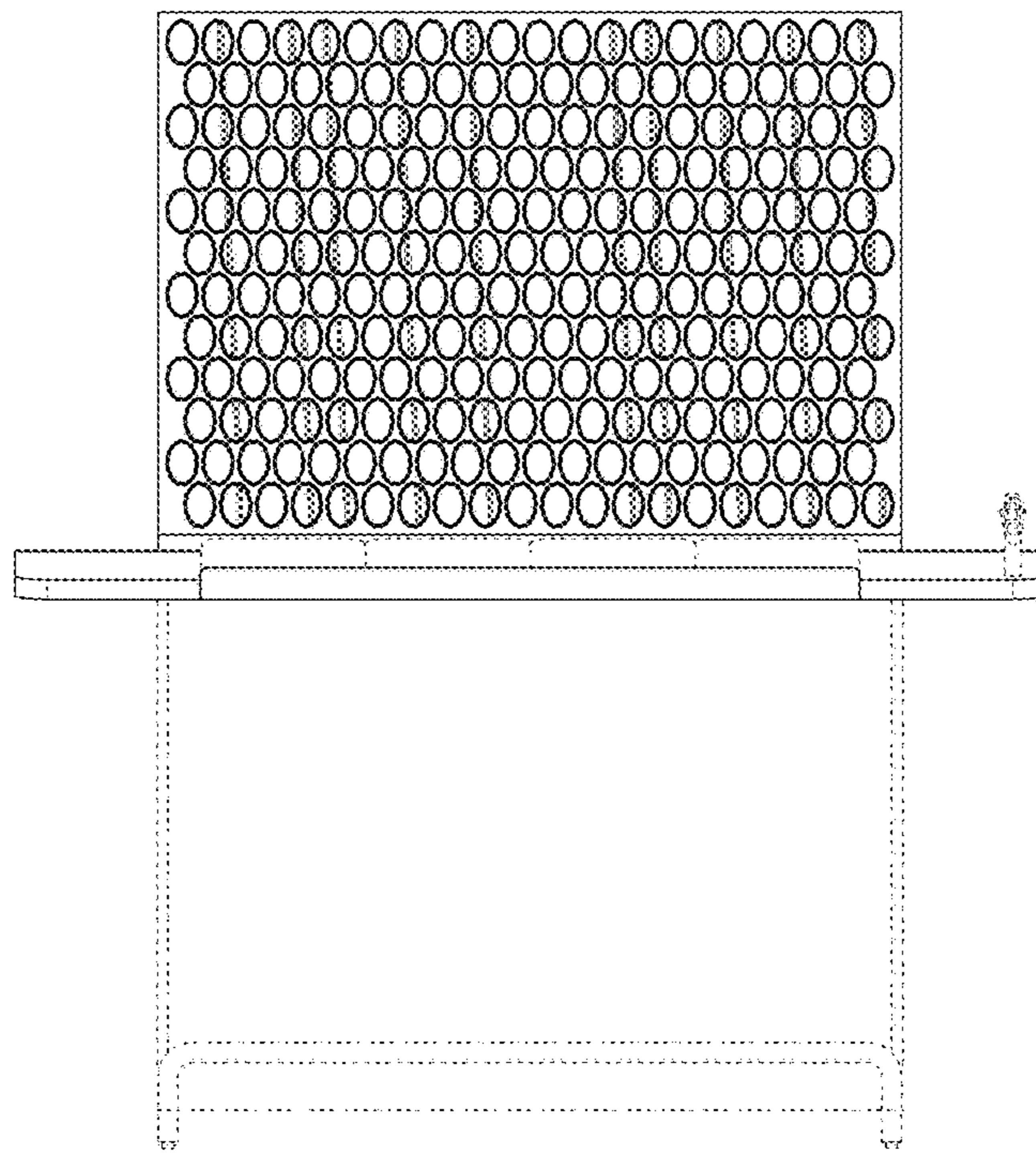


FIG. 2

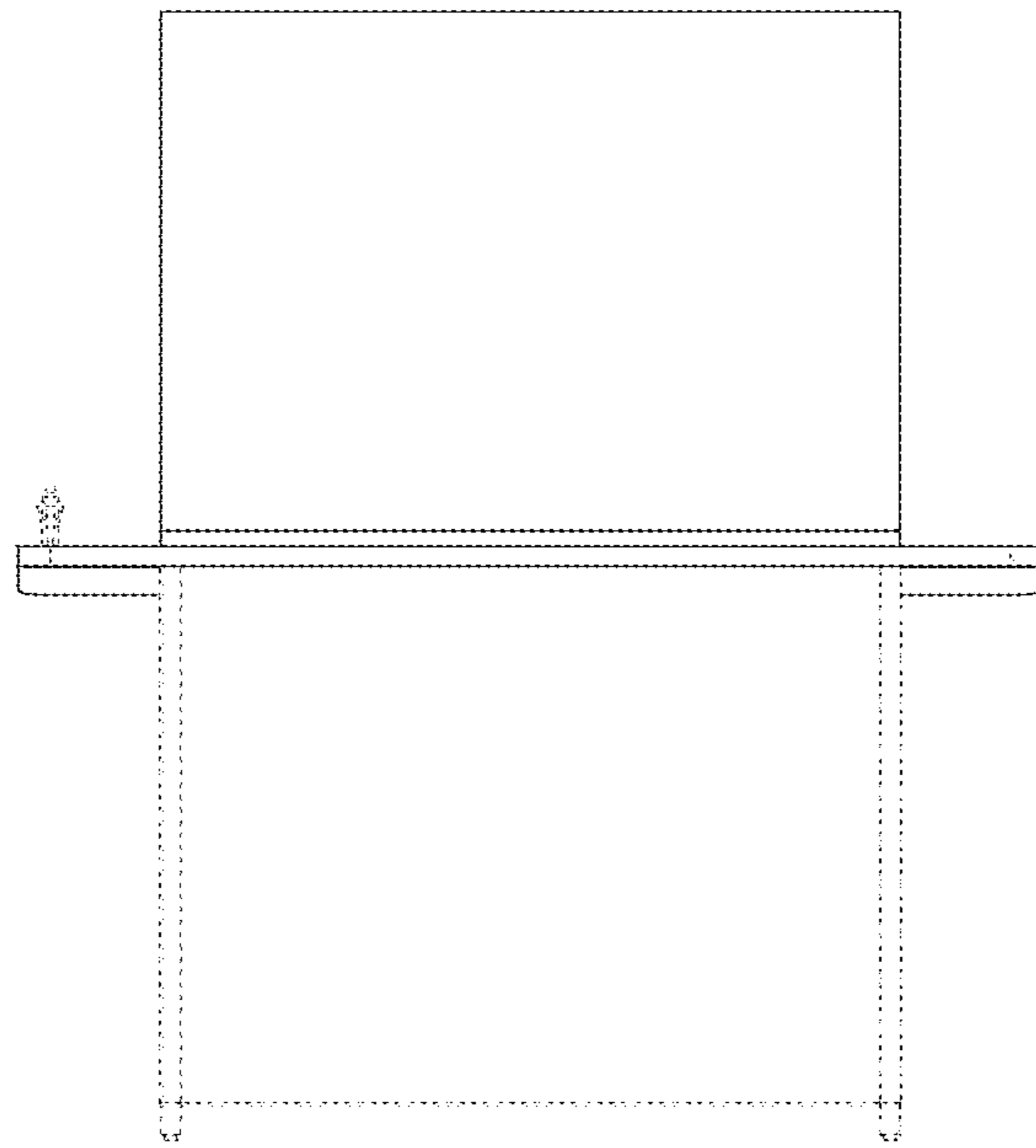


FIG. 3

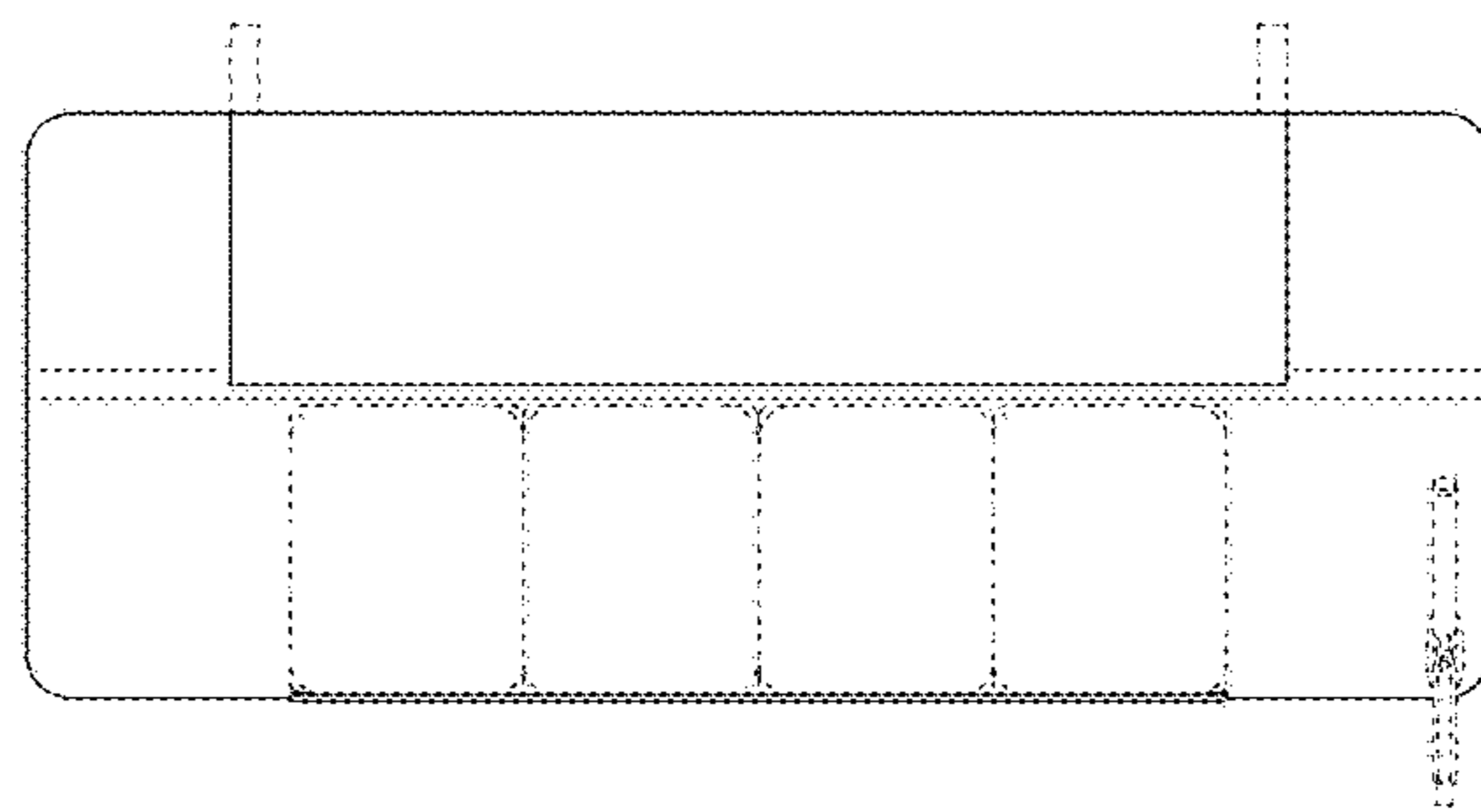


FIG. 4

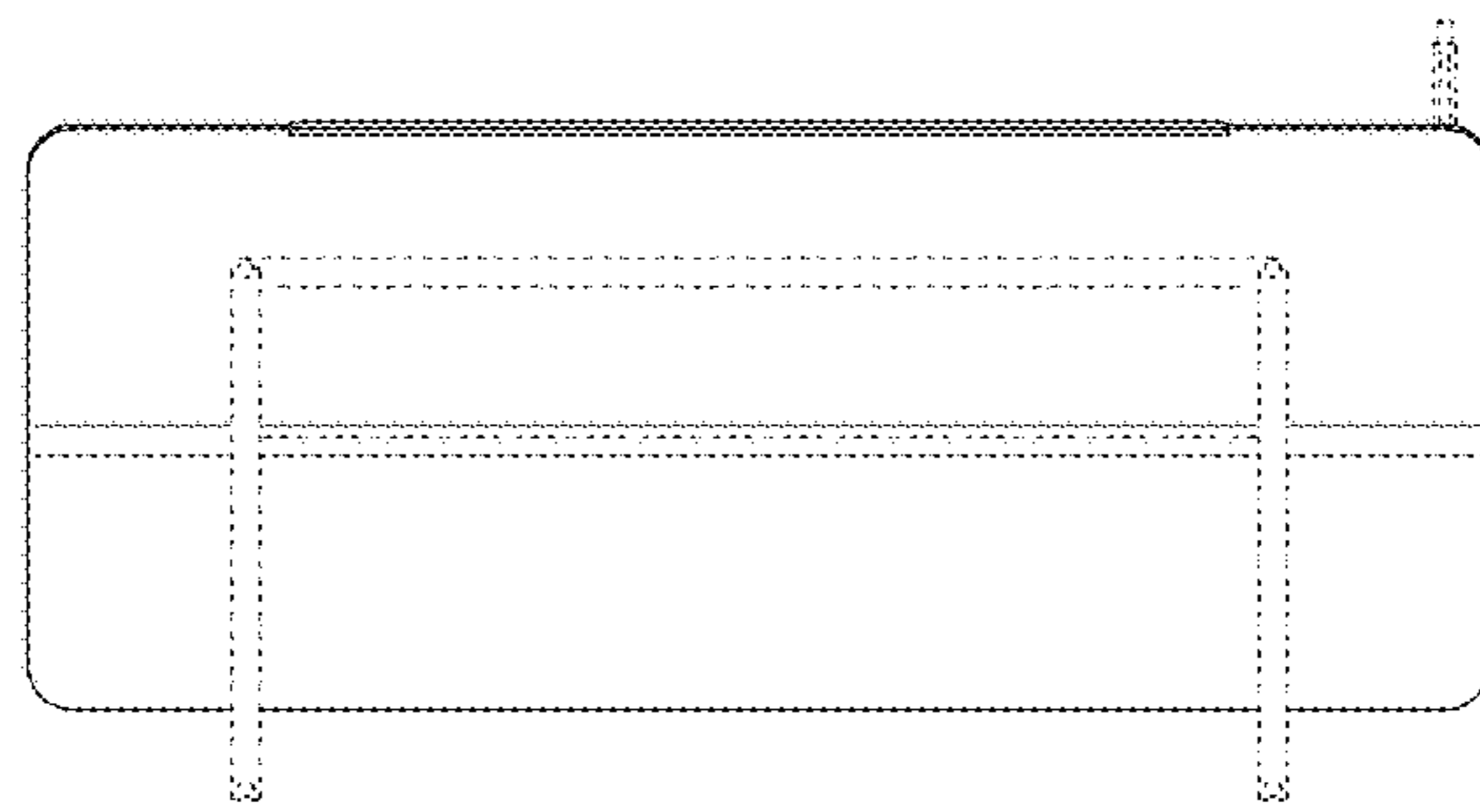


FIG. 5

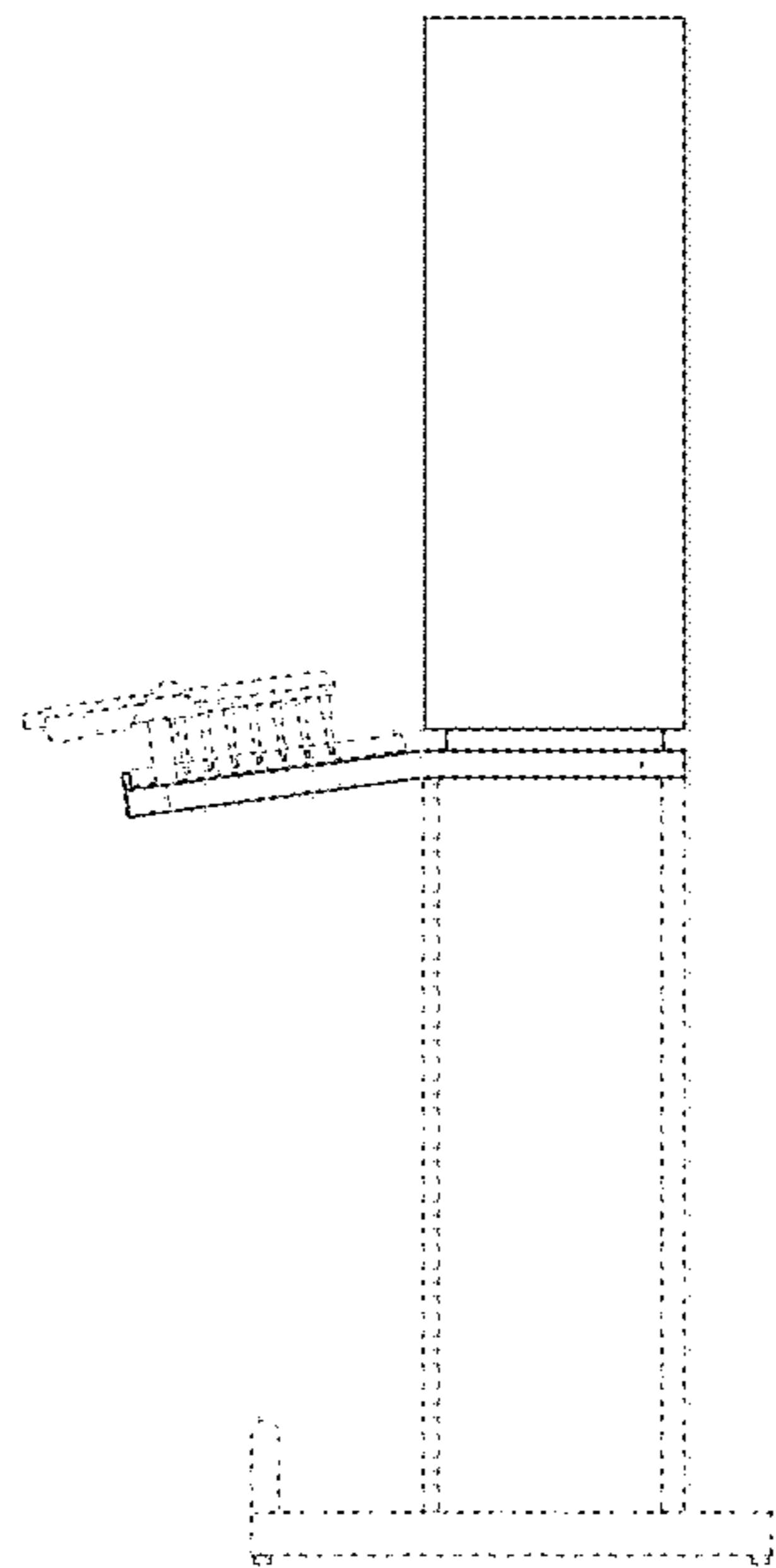


FIG. 6

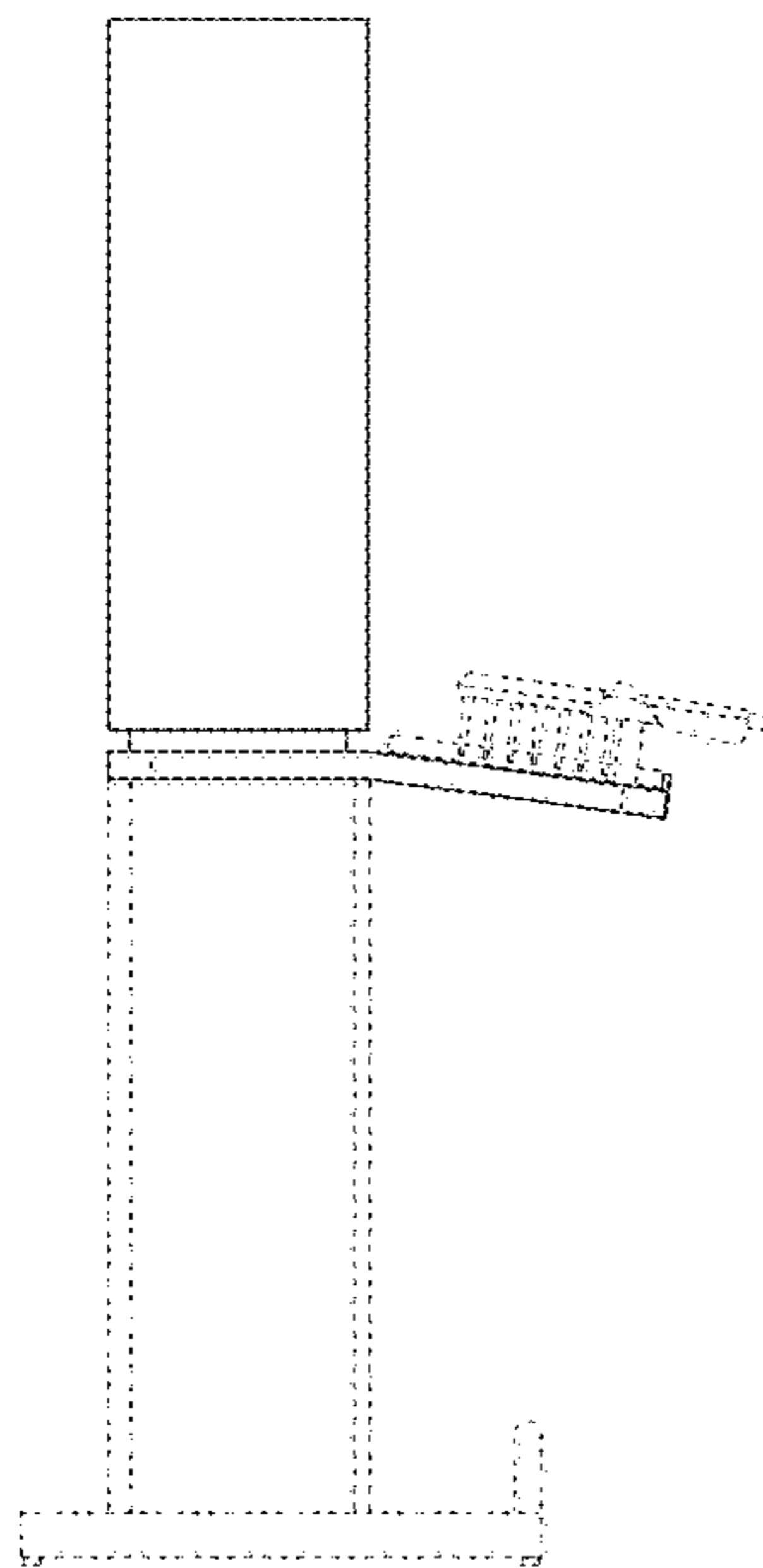


FIG. 7