



US00D850137S

(12) **United States Design Patent**
Lissoni

(10) **Patent No.:** **US D850,137 S**
(45) **Date of Patent:** **** Jun. 4, 2019**

(54) **SOFA COMPONENT**

- (71) Applicant: **Knoll, Inc.**, East Greenville, PA (US)
- (72) Inventor: **Piero Lissoni**, East Greenville, PA (US)
- (73) Assignee: **Knoll, Inc.**
- (**) Term: **15 Years**
- (21) Appl. No.: **29/619,601**
- (22) Filed: **Sep. 29, 2017**

(30) **Foreign Application Priority Data**

Mar. 31, 2017	(EP)	003833995-0014
Mar. 31, 2017	(EP)	003833995-0015
Mar. 31, 2017	(EP)	003833995-0016
Mar. 31, 2017	(EP)	003833995-0017
Mar. 31, 2017	(EP)	003833995-0018

(51) **LOC (11) Cl.** **06-01**

(52) **U.S. Cl.**
USPC **D6/377; D6/378**

(58) **Field of Classification Search**
USPC D6/334, 335, 336, 341, 360, 361, 364,
D6/365, 366, 367, 368, 369, 371, 372,
D6/373, 374, 375, 376, 377, 378, 381
CPC A47C 1/00; A47C 13/00; A47C 13/005;
A47C 15/002

See application file for complete search history.

(56) **References Cited**

U.S. PATENT DOCUMENTS

D240,481 S *	7/1976	Fister, Jr.	D6/378
D265,443 S *	7/1982	Webb	D6/377
D310,452 S *	9/1990	Hopfer	D6/361
D311,283 S *	10/1990	Warren	D6/378
D336,172 S *	6/1993	Gibson	D6/378
D403,171 S *	12/1998	Gibson	D6/377
D416,704 S *	11/1999	Mourgue	D6/361
D431,381 S *	10/2000	Gomez	D6/361

D518,302 S *	4/2006	Tapinassi	D6/361
D580,670 S *	11/2008	Weiss	D6/361
D656,327 S *	3/2012	Metcalf	D6/349

* cited by examiner

Primary Examiner — Deanna L Pratt

(74) *Attorney, Agent, or Firm* — The Belles Group, P.C.

(57) **CLAIM**

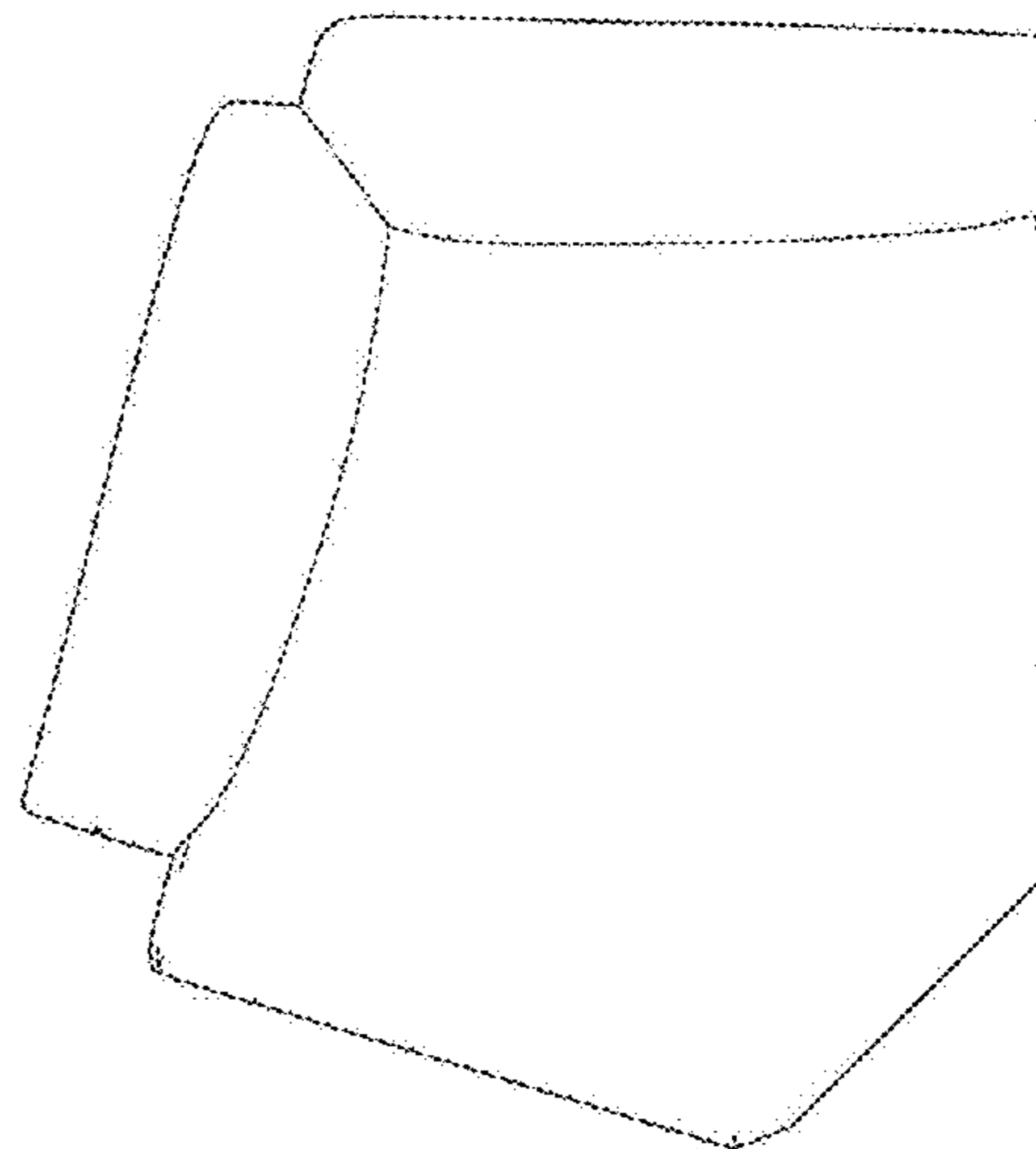
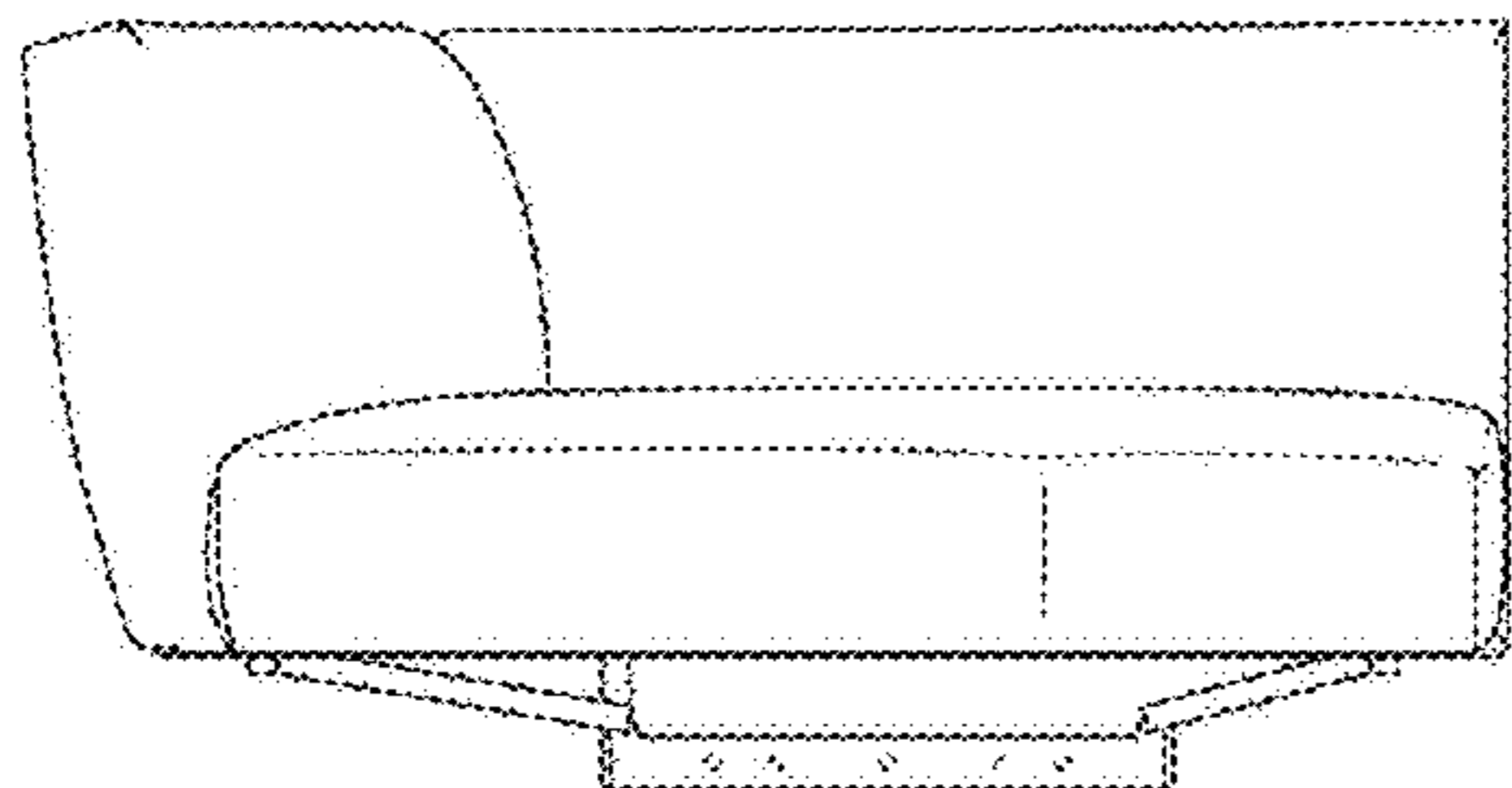
The ornamental design for a sofa component, as shown and described.

DESCRIPTION

FIG. 1 is a front elevational view of a sofa component in accordance with a first embodiment of the present design; FIG. 2 is a side elevational view of the sofa component illustrated in FIG. 1; FIG. 3 is a top plan view of the sofa component illustrated in FIG. 1; FIG. 4 is a bottom plan view of the sofa component illustrated in FIG. 1; FIG. 5 is an exploded perspective view of the sofa component illustrated in FIG. 1; FIG. 6 is a rear elevational view of the sofa component illustrated in FIG. 1; FIG. 7 is a front elevational view of a sofa component in accordance with a second embodiment of the present design; FIG. 8 is a side elevational view of the sofa component illustrated in FIG. 7; FIG. 9 is a top plan view of the sofa component illustrated in FIG. 7; FIG. 10 is a bottom plan view of the sofa component illustrated in FIG. 7; FIG. 11 is an exploded perspective view of the sofa component illustrated in FIG. 7; and, FIG. 12 is a rear elevational view of the sofa component illustrated in FIG. 7.

The broken lines in the figures show elements of the article that form no part of the claimed design.

1 Claim, 12 Drawing Sheets



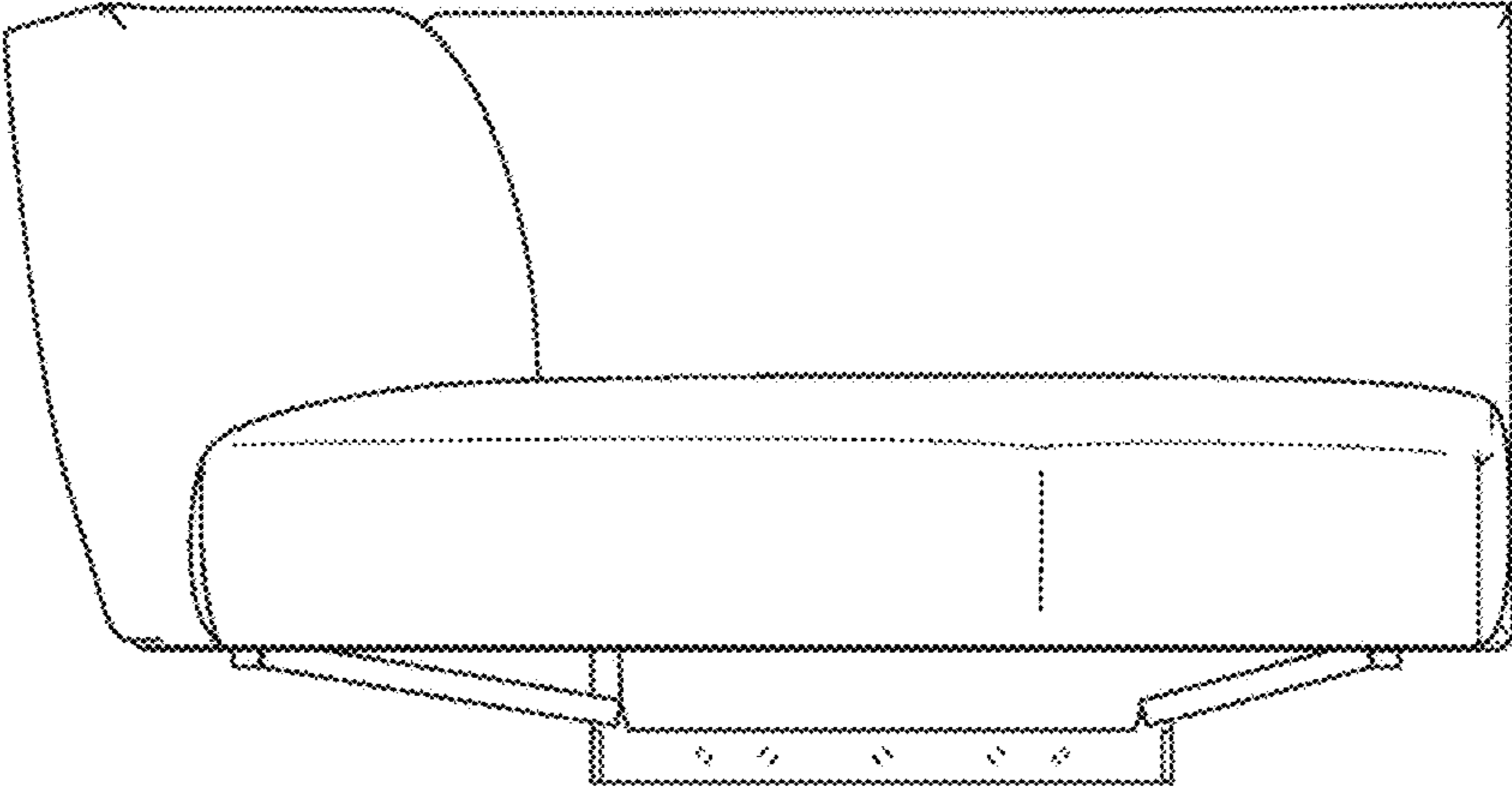


FIG. 1

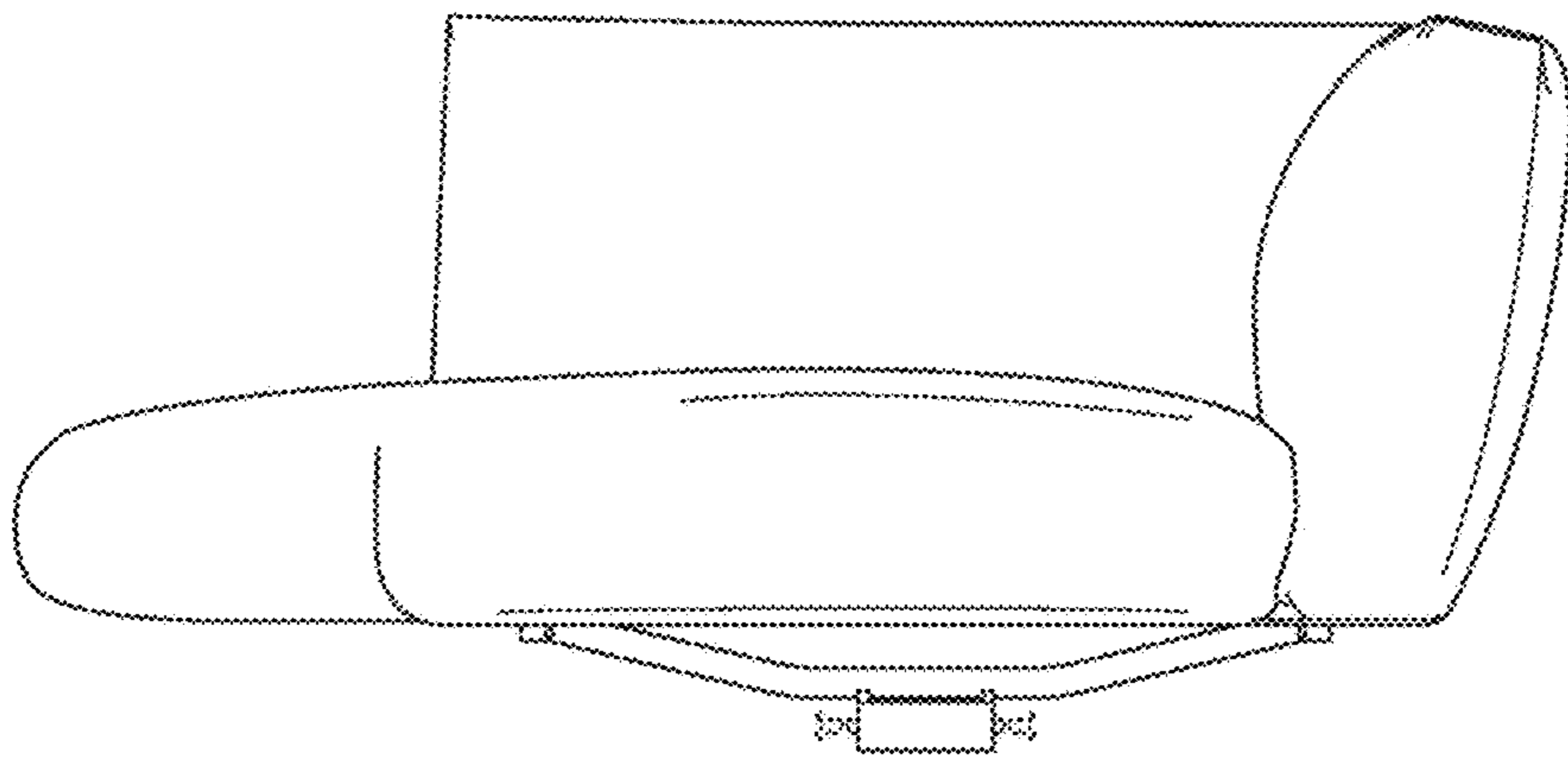


FIG. 2

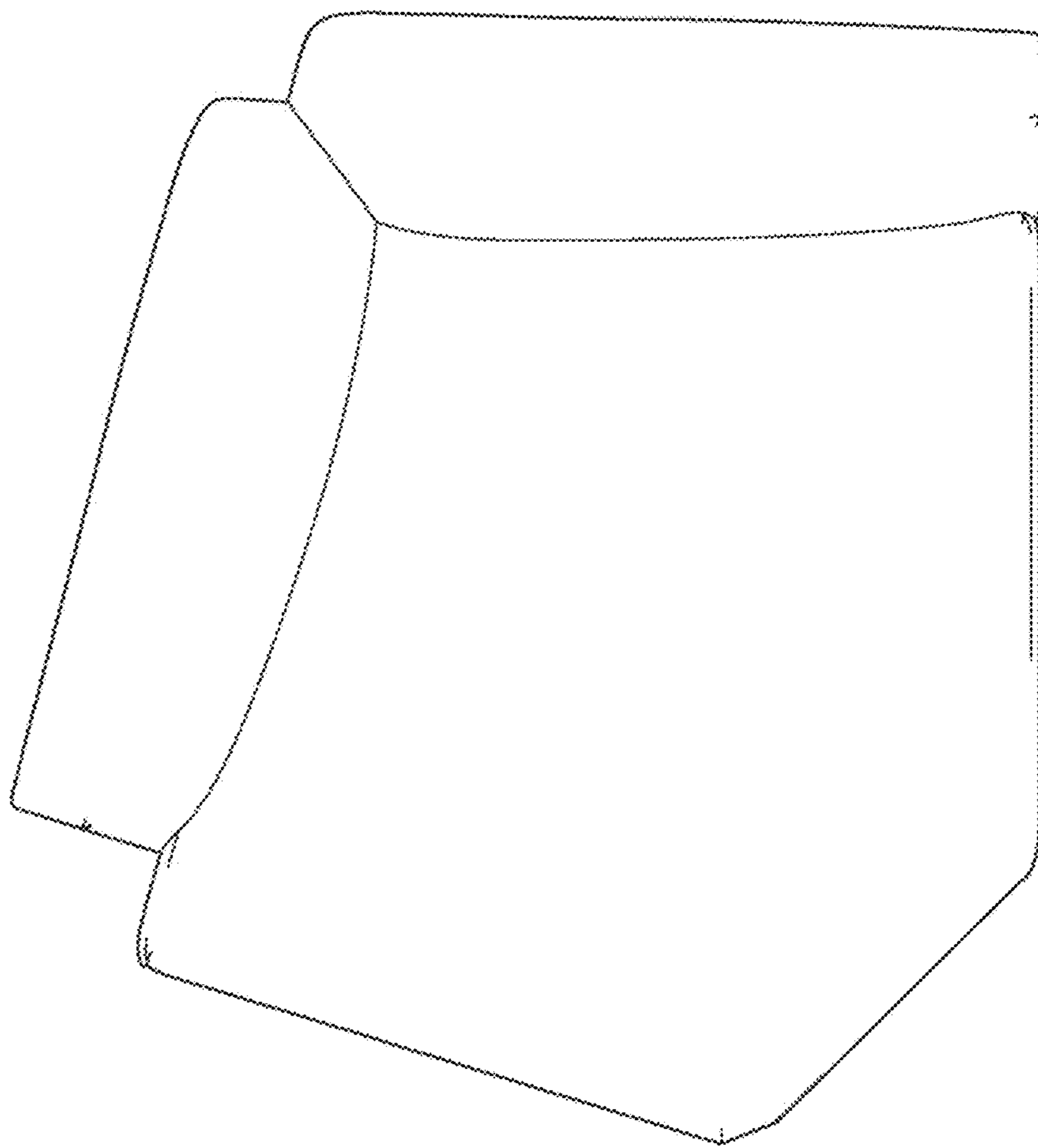


FIG. 3

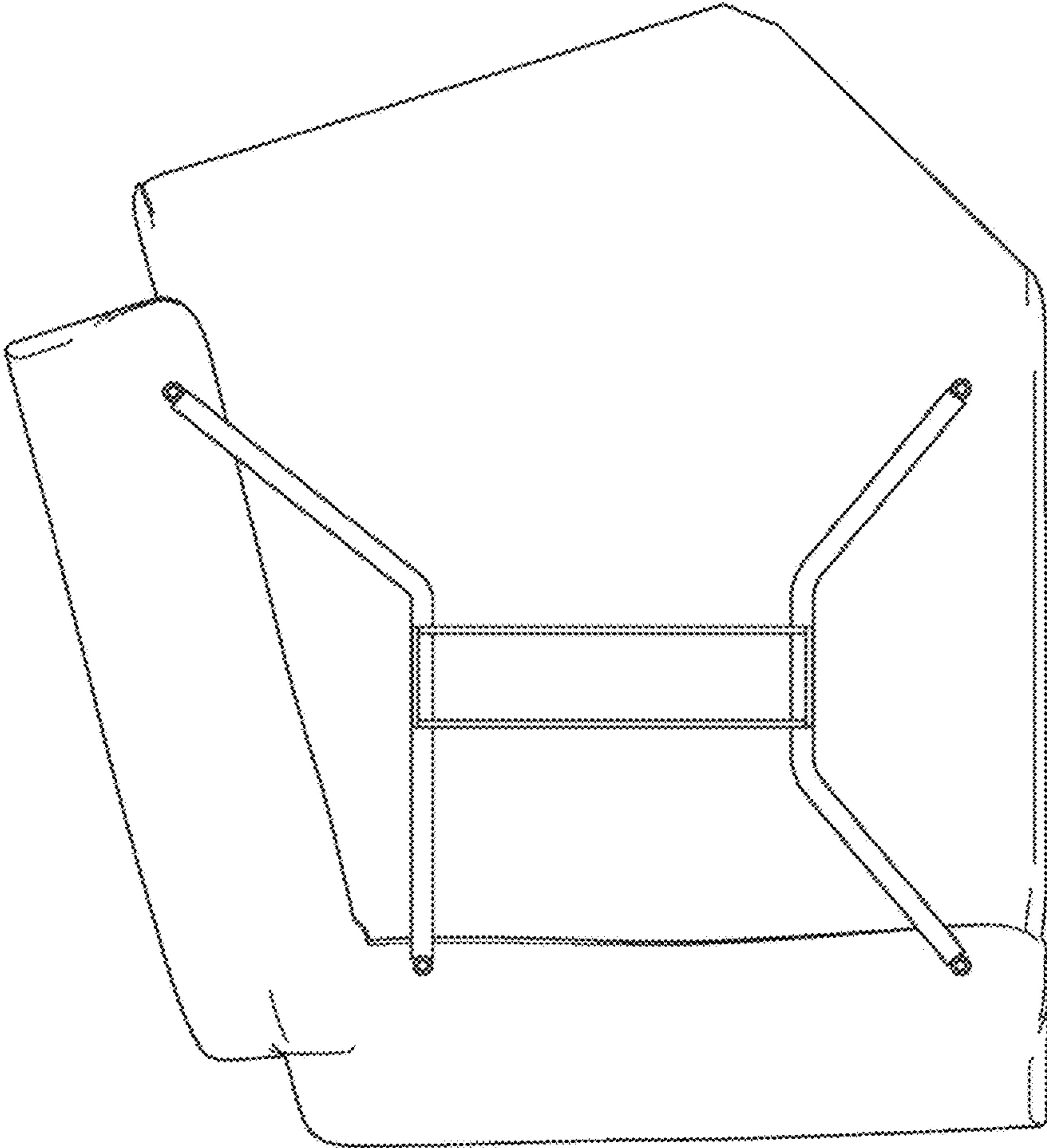


FIG. 4

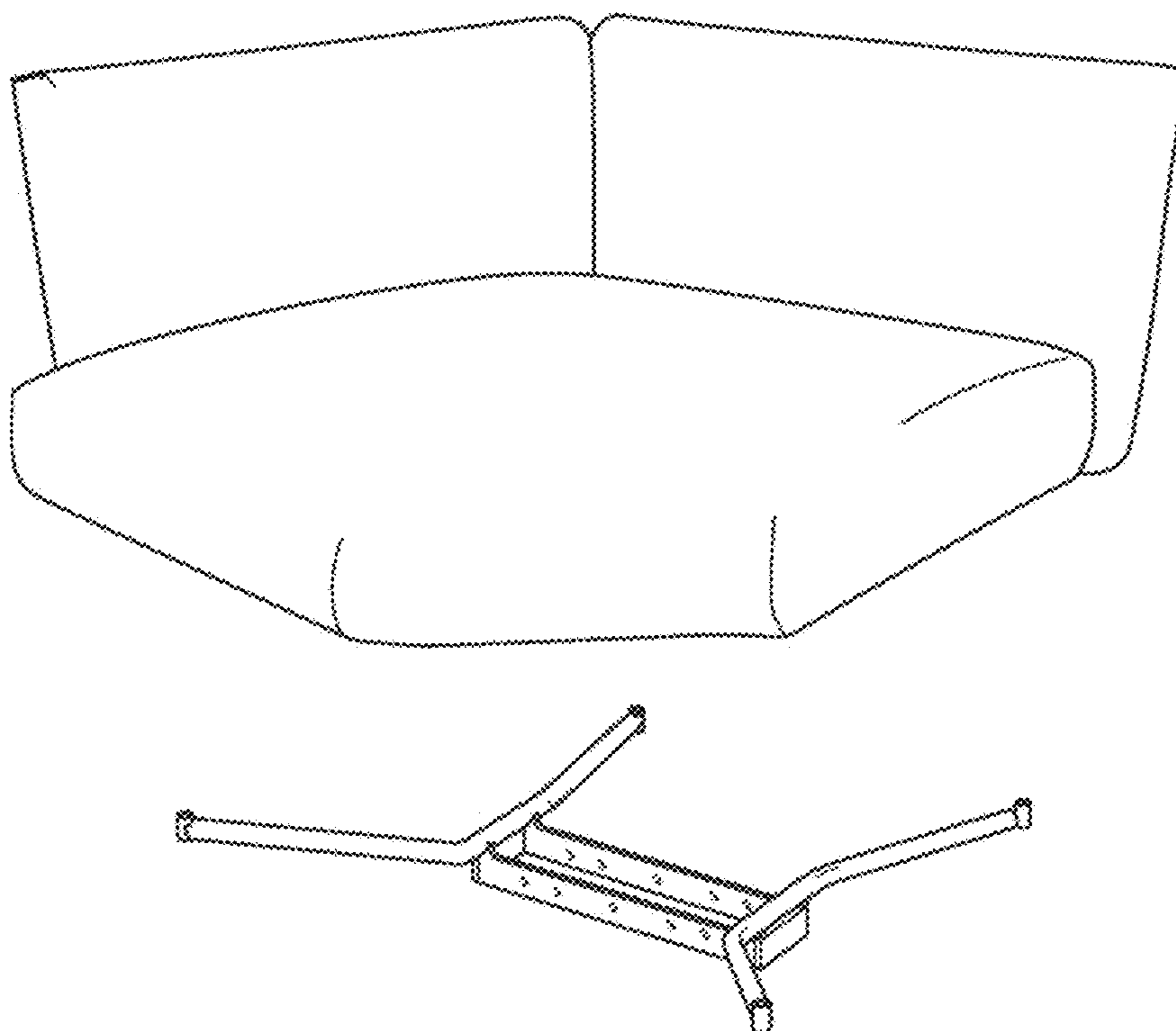


FIG. 5

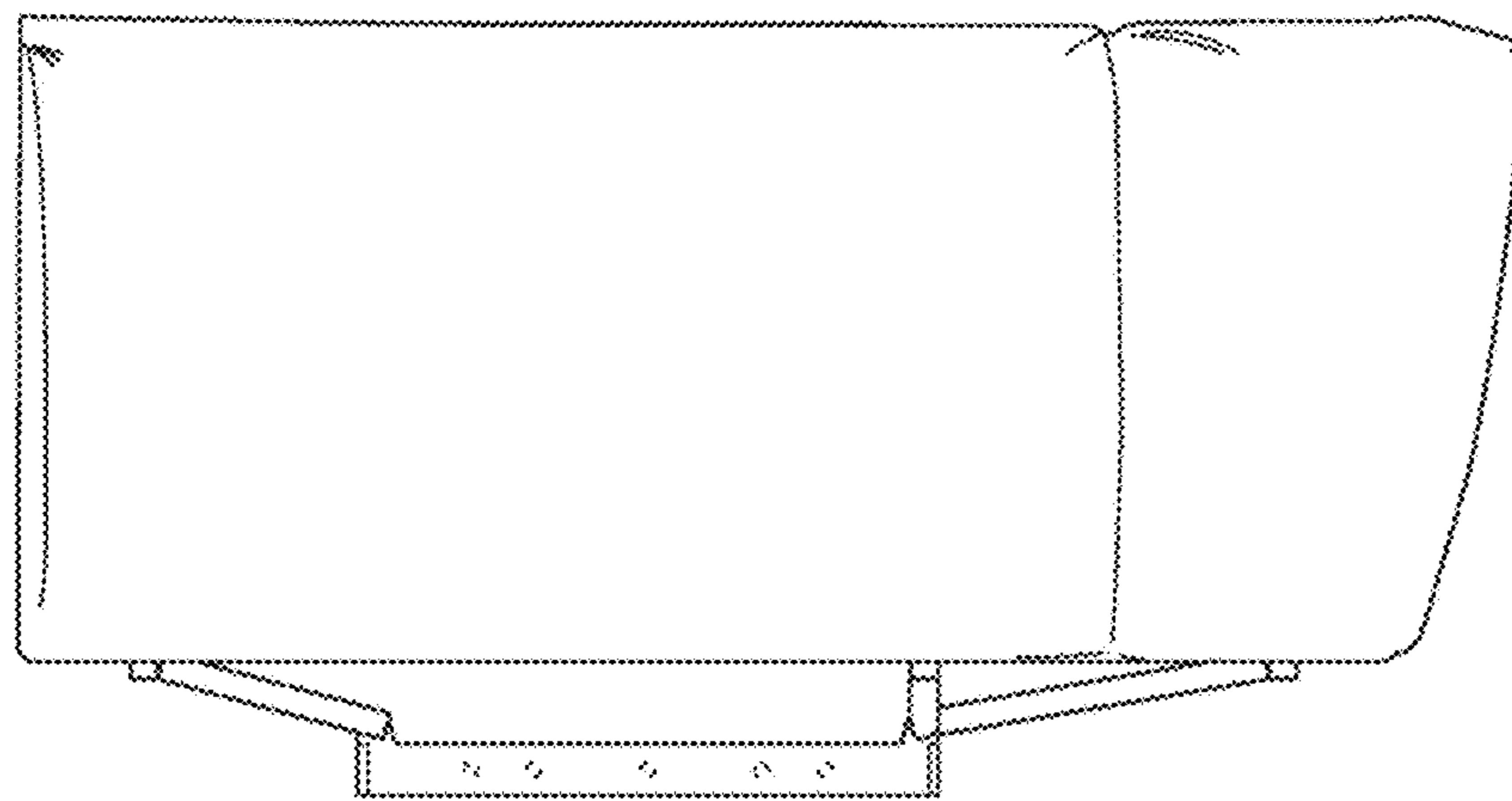


FIG. 6

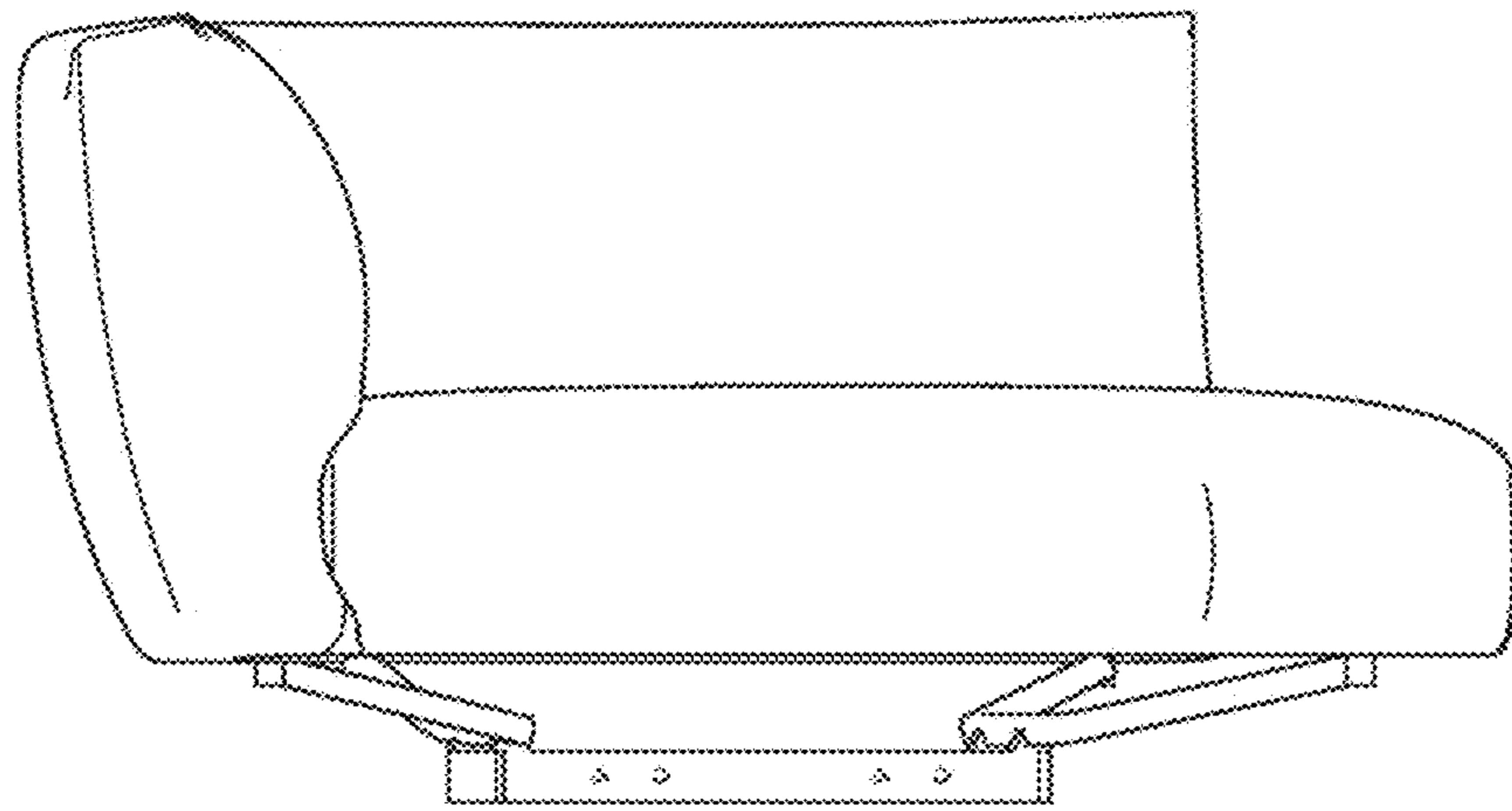


FIG. 7

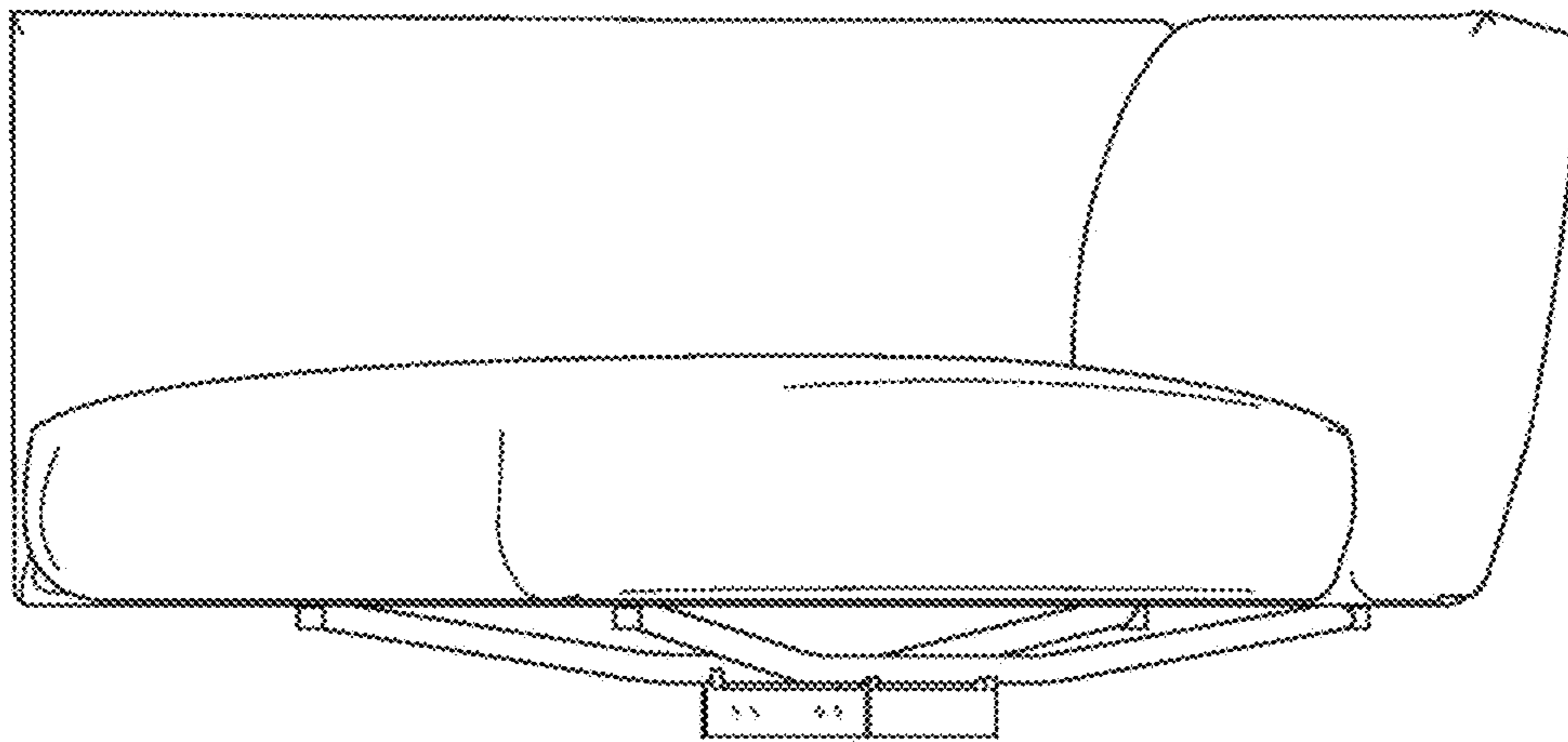


FIG. 8

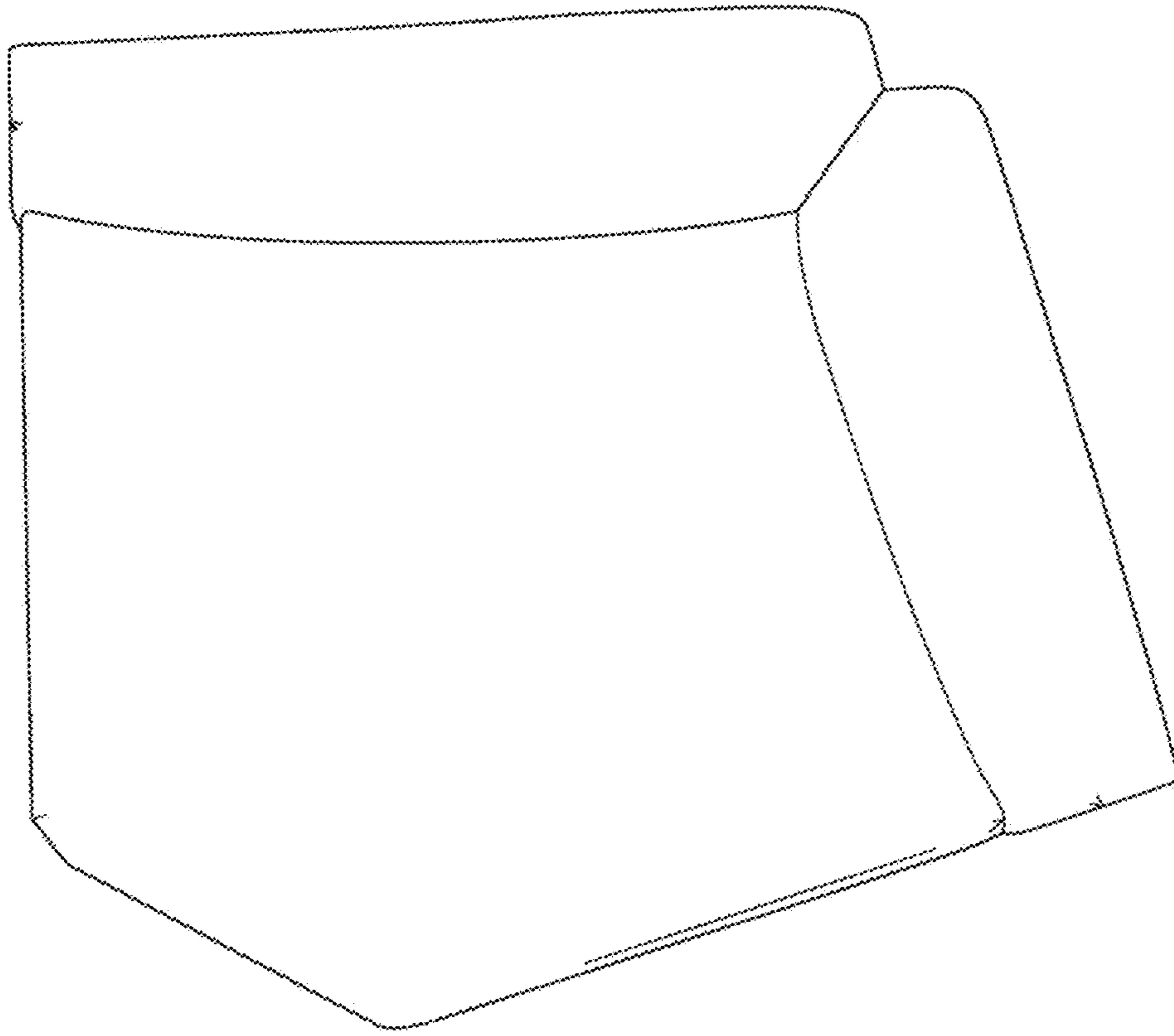


FIG. 9

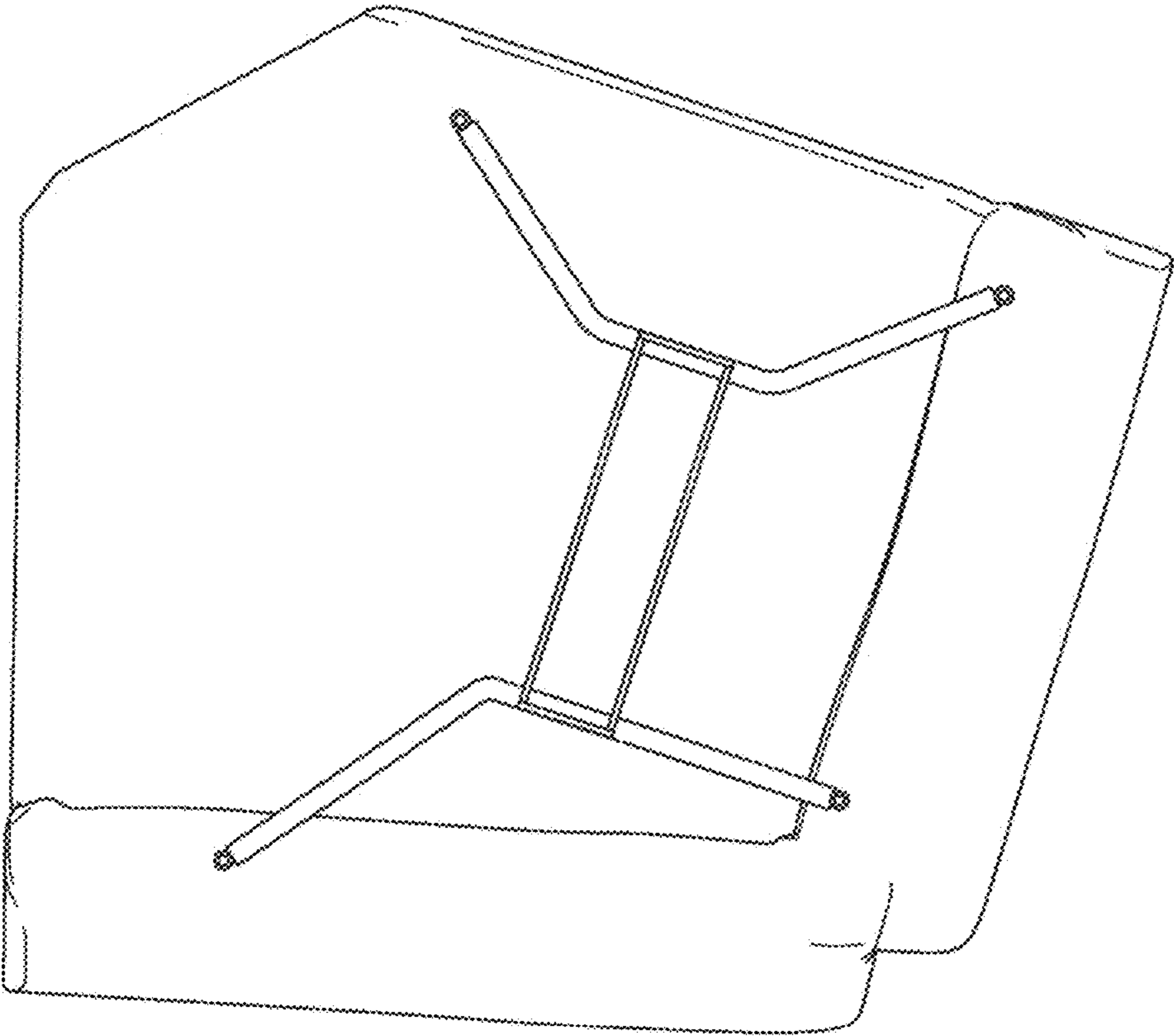


FIG. 10

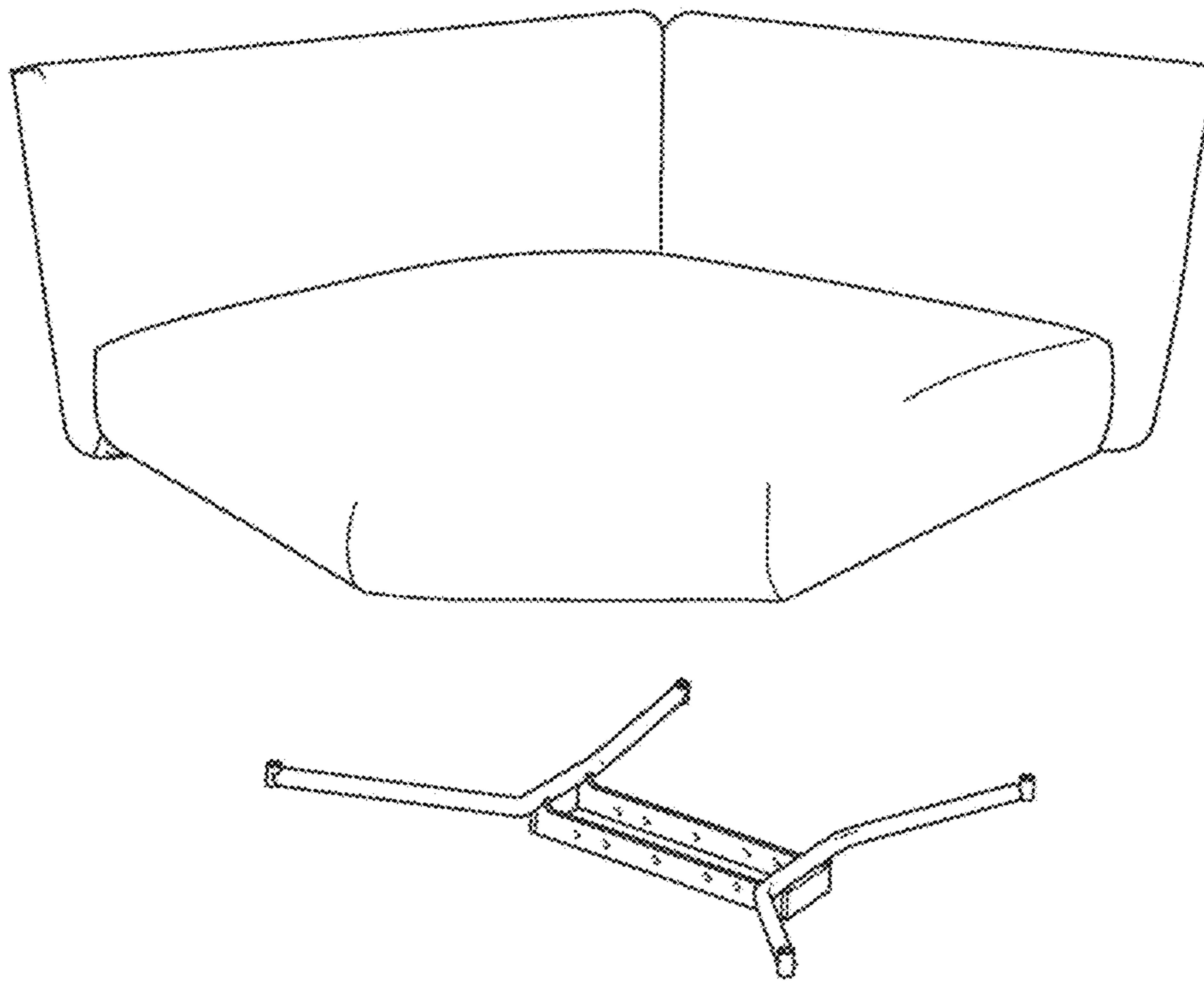


FIG. 11

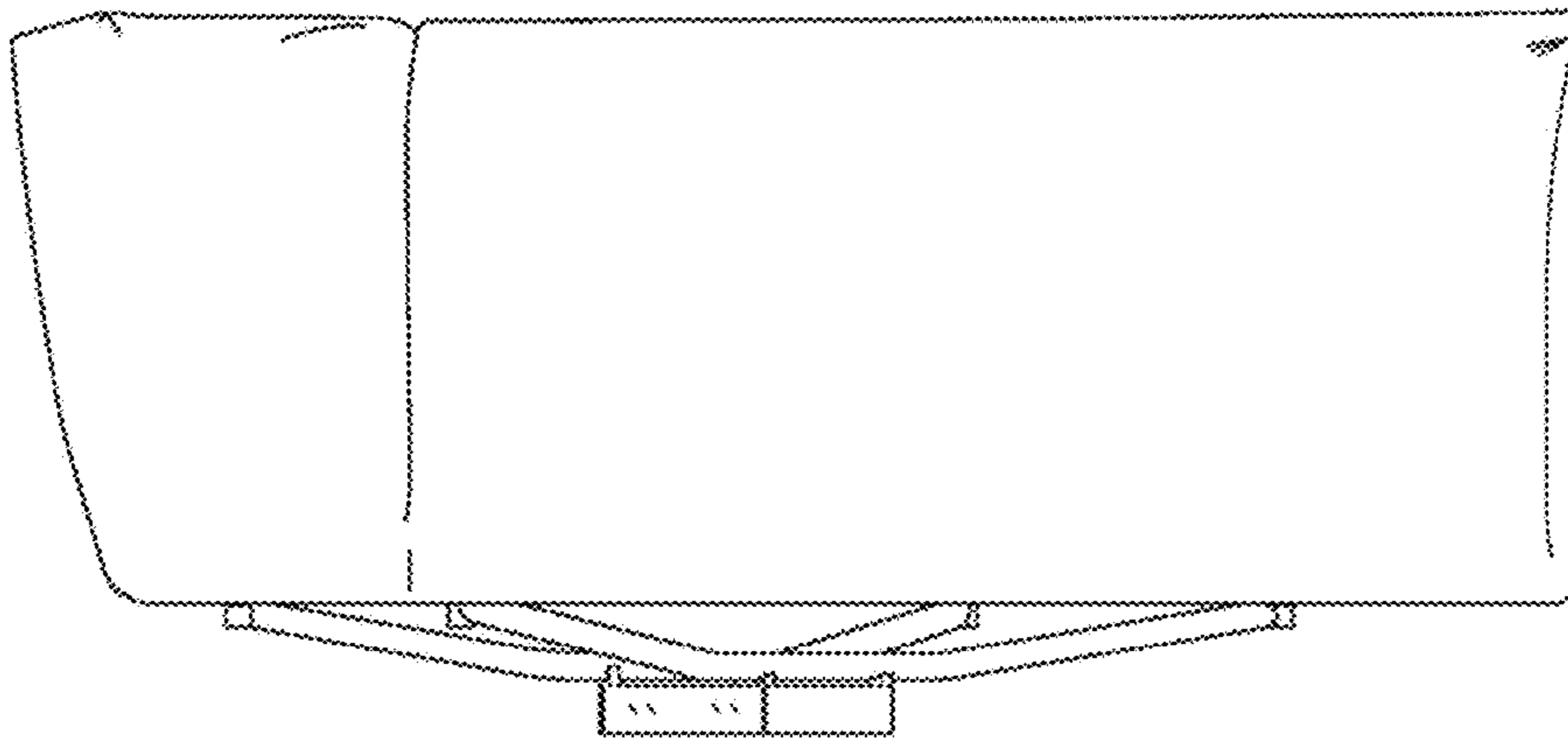


FIG. 12