



US00D850135S

(12) **United States Design Patent**
Yang

(10) **Patent No.:** **US D850,135 S**
(45) **Date of Patent:** **** Jun. 4, 2019**

- (54) **FOLDABLE CHAIR WITH CARRYING STRAPS**
- (71) Applicant: **Zhejiang Hengfeng Top Leisure Co., Ltd., Wukang Town (CN)**
- (72) Inventor: **Baoqing Yang, HangZhou (CN)**
- (73) Assignee: **Zhejiang Hengfeng Top Leisure Co., Ltd., Zhejiang (CN)**
- (**) Term: **15 Years**
- (21) Appl. No.: **29/629,508**
- (22) Filed: **Dec. 13, 2017**
- (51) **LOC (11) Cl.** **06-01**
- (52) **U.S. Cl.**
USPC **D6/368**
- (58) **Field of Classification Search**
USPC D6/334-336, 368, 373, 374, 375, 379, D6/380, 716, 716.1, 716.2, 716.3, 716.4
CPC .. A47C 4/03; A47C 4/28; A47C 4/283; A47C 4/30; A47C 4/38; A47C 4/40; A47C 4/42; A47C 4/48; A47C 5/06; A47C 5/10; A47C 31/11; A47C 7/68; A47C 7/70
See application file for complete search history.

- (56) **References Cited**
U.S. PATENT DOCUMENTS
- 3,151,909 A * 10/1964 Gerdetz A47C 31/11
224/155
- 4,514,009 A * 4/1985 Vanderminde A47C 5/10
297/16.1
- 4,577,901 A * 3/1986 Phillips A47C 4/03
224/155
- 4,715,650 A * 12/1987 Berman A47C 4/02
297/28
- 4,889,383 A * 12/1989 Jones A47C 5/10
297/16.1

- 5,054,848 A * 10/1991 Liu A47C 5/10
297/16.1
- 5,409,291 A 4/1995 Lamb et al.
- 5,527,088 A 6/1996 MacLean
- 5,536,064 A 7/1996 MacLean
- 5,564,779 A * 10/1996 Tolbert A47C 7/70
297/144
- D412,251 S * 7/1999 Tseng D6/368
- D412,407 S * 8/1999 Tseng D6/368
- 6,000,752 A 12/1999 Shyr
- 6,764,132 B1 * 7/2004 Gaertner A47C 5/10
297/130
- RE39,022 E 3/2006 Welsh
- 7,118,172 B1 10/2006 Pattison-Sheets
- D547,981 S 8/2007 Cohen
- D571,115 S 6/2008 Cohen
- D639,577 S * 6/2011 Tseng D6/368
- D651,010 S 12/2011 Cohen
- D654,714 S * 2/2012 Tseng D6/368

(Continued)

Primary Examiner — Mimoso De
(74) *Attorney, Agent, or Firm* — Thompson Coburn LLP

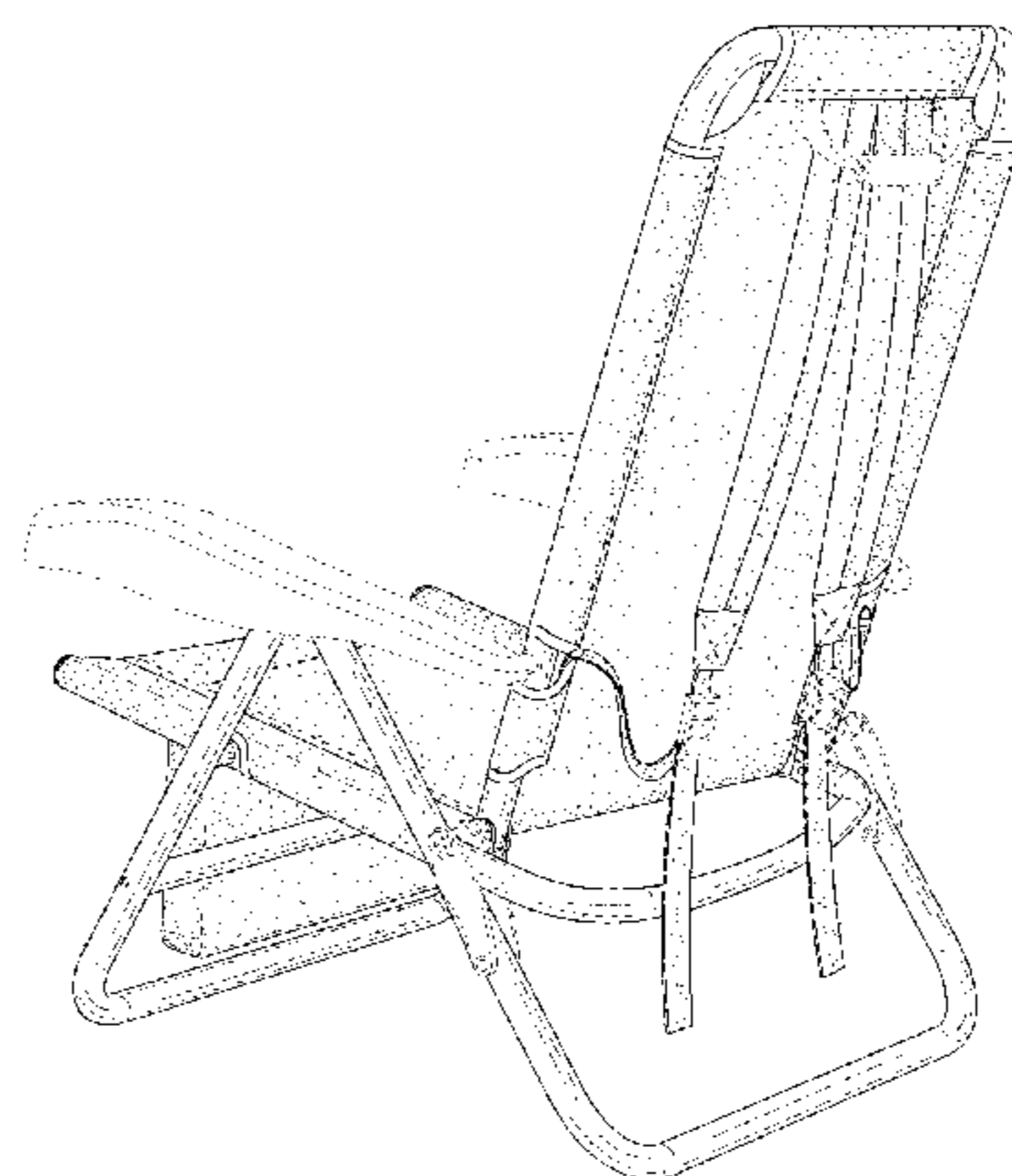
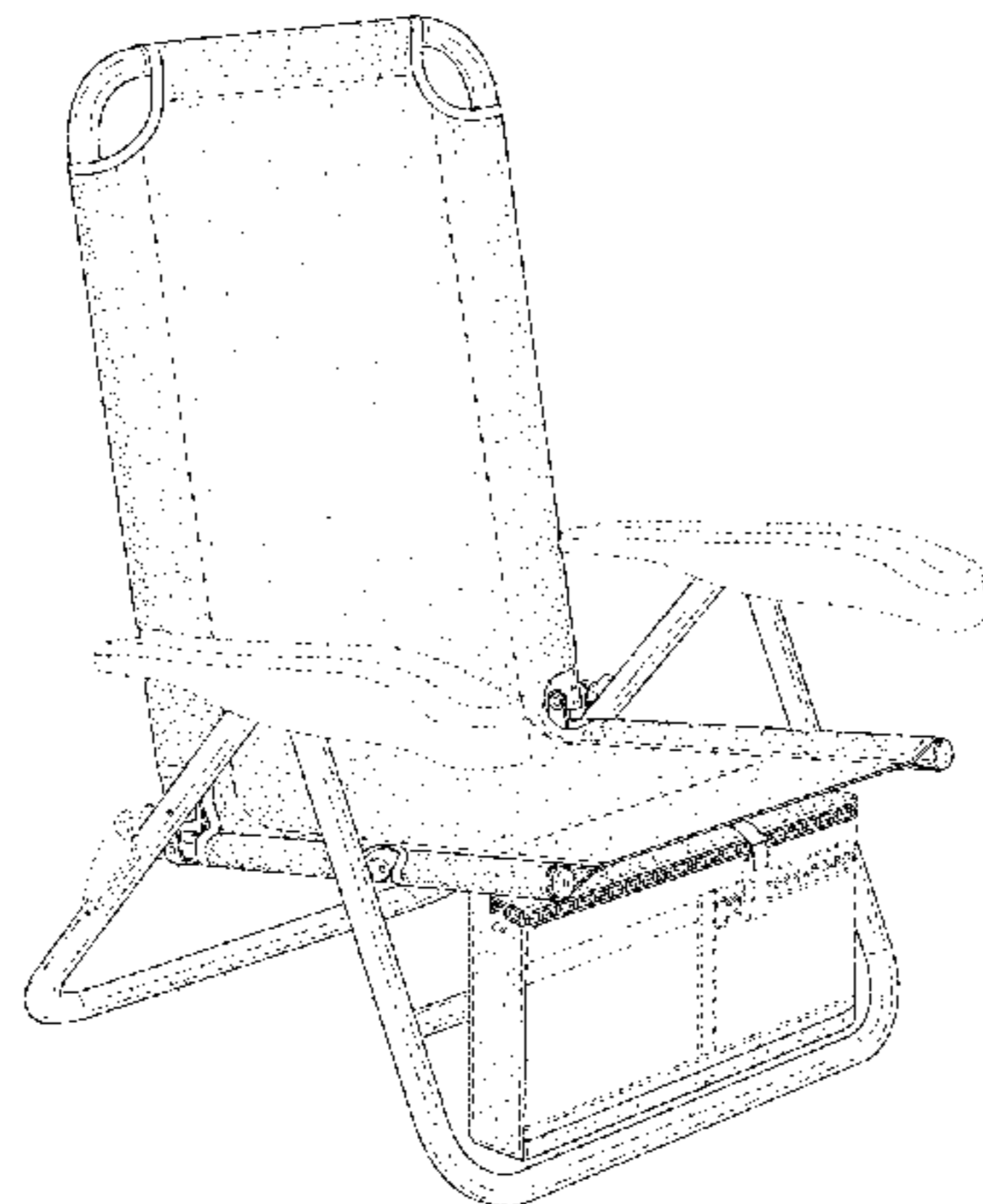
(57) **CLAIM**

The ornamental design for a foldable chair with carrying straps, as shown and described.

DESCRIPTION

FIG. 1 is a perspective view showing our new design.
 FIG. 2 is an alternative perspective view thereof.
 FIG. 3 is a front view thereof.
 FIG. 4 is a rear view thereof.
 FIG. 5 is a left side view thereof.
 FIG. 6 is a right side view thereof.
 FIG. 7 is a top view thereof; and,
 FIG. 8 is a bottom view thereof.
 The darker broken lines shown on the fabric of the backrest, seat, and portion of straps represent stitching, other lighter broken lines shown in the drawing are for the purpose of illustrating environmental structure and form no part of the claimed design.

1 Claim, 8 Drawing Sheets



(56)

References Cited

U.S. PATENT DOCUMENTS

8,197,000	B1	6/2012	Cohen	
8,333,428	B2	12/2012	Zhu et al.	
8,905,471	B2	12/2014	Tang	
9,185,983	B1	11/2015	Cohen	
9,681,753	B1 *	6/2017	Rudolph A47C 7/70
D804,232	S *	12/2017	Oliphant D6/716.1
D804,880	S *	12/2017	Oliphant D6/716.4
2016/0198856	A1	7/2016	Grace	

* cited by examiner

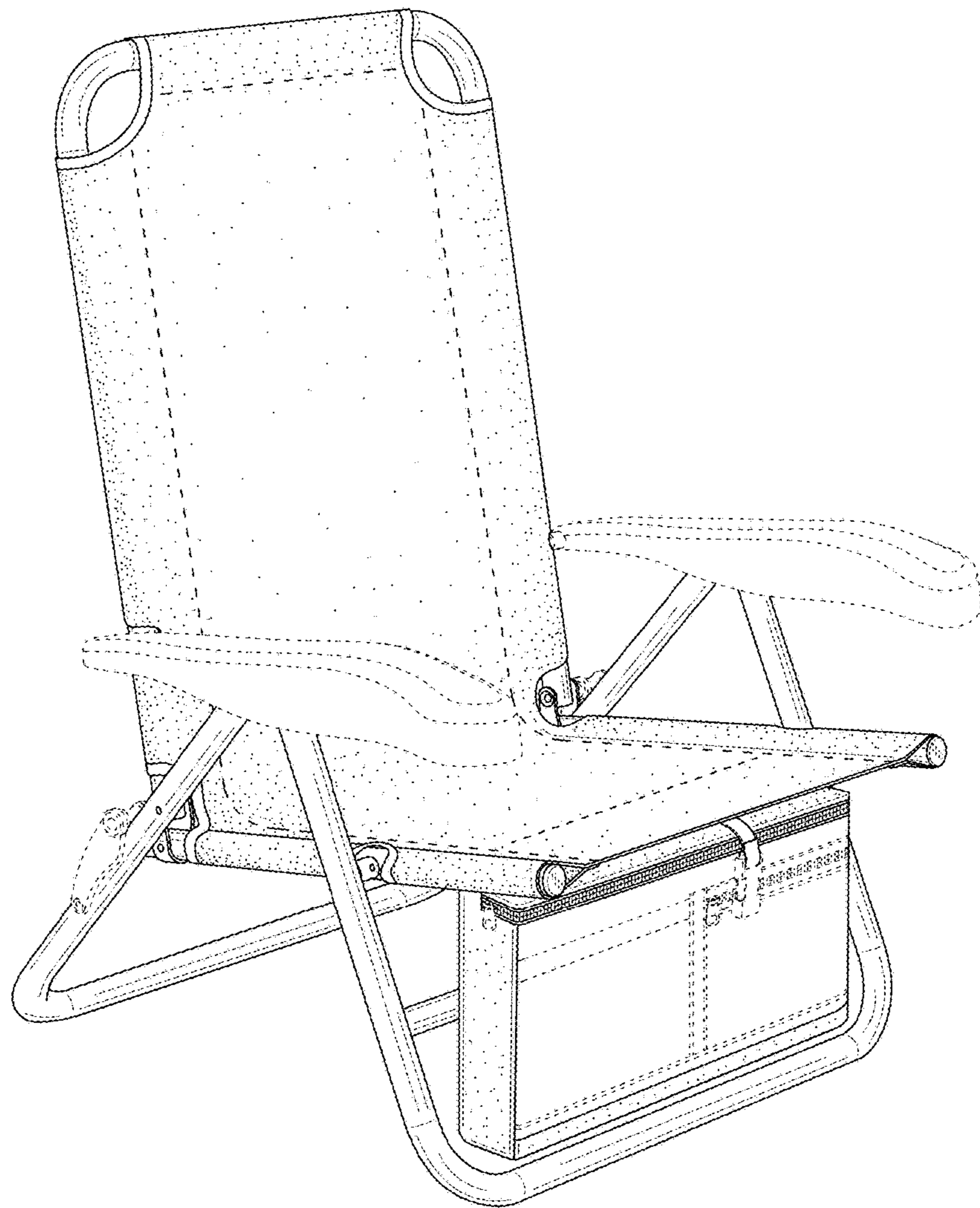


FIG. 1

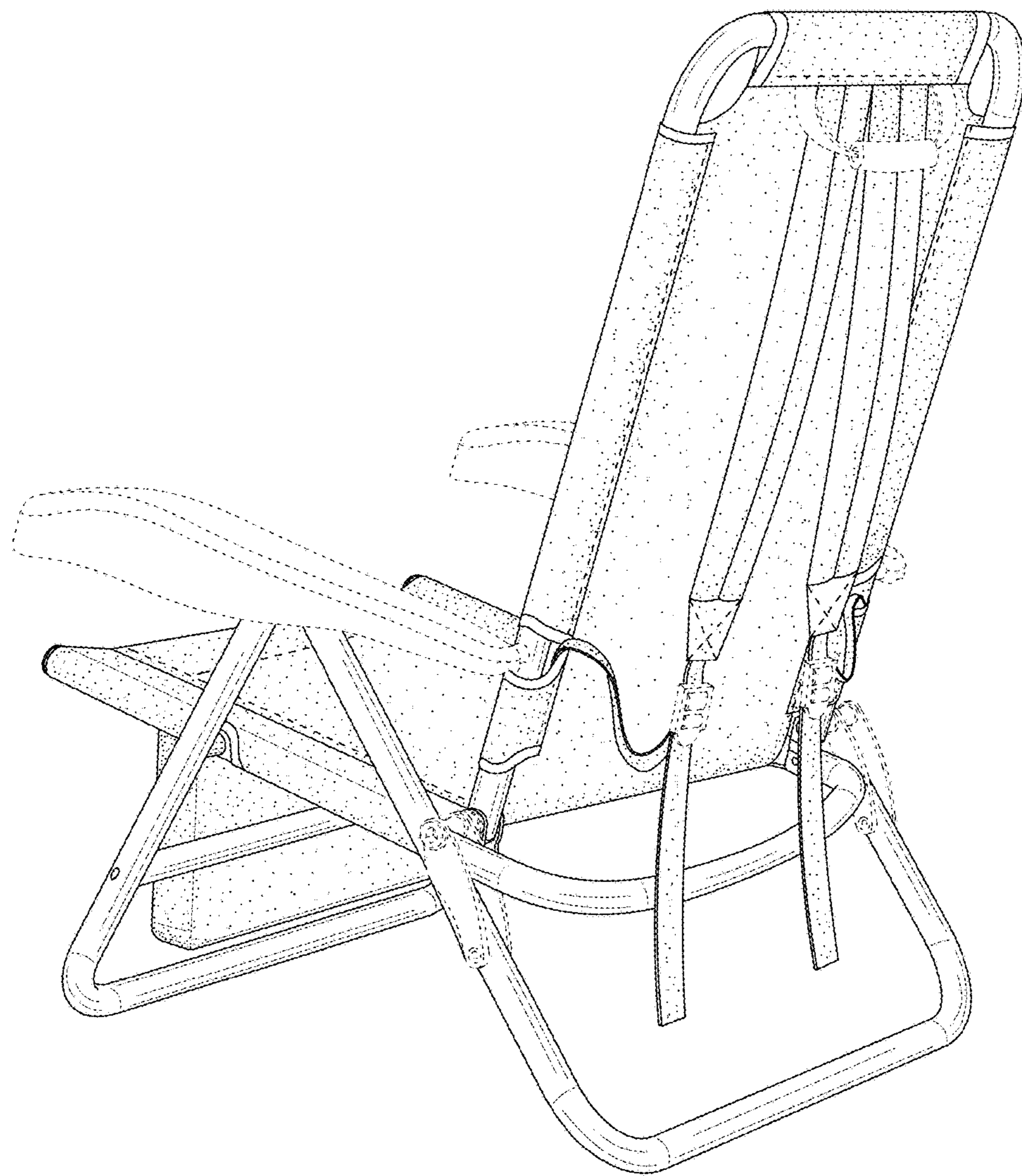


FIG. 2

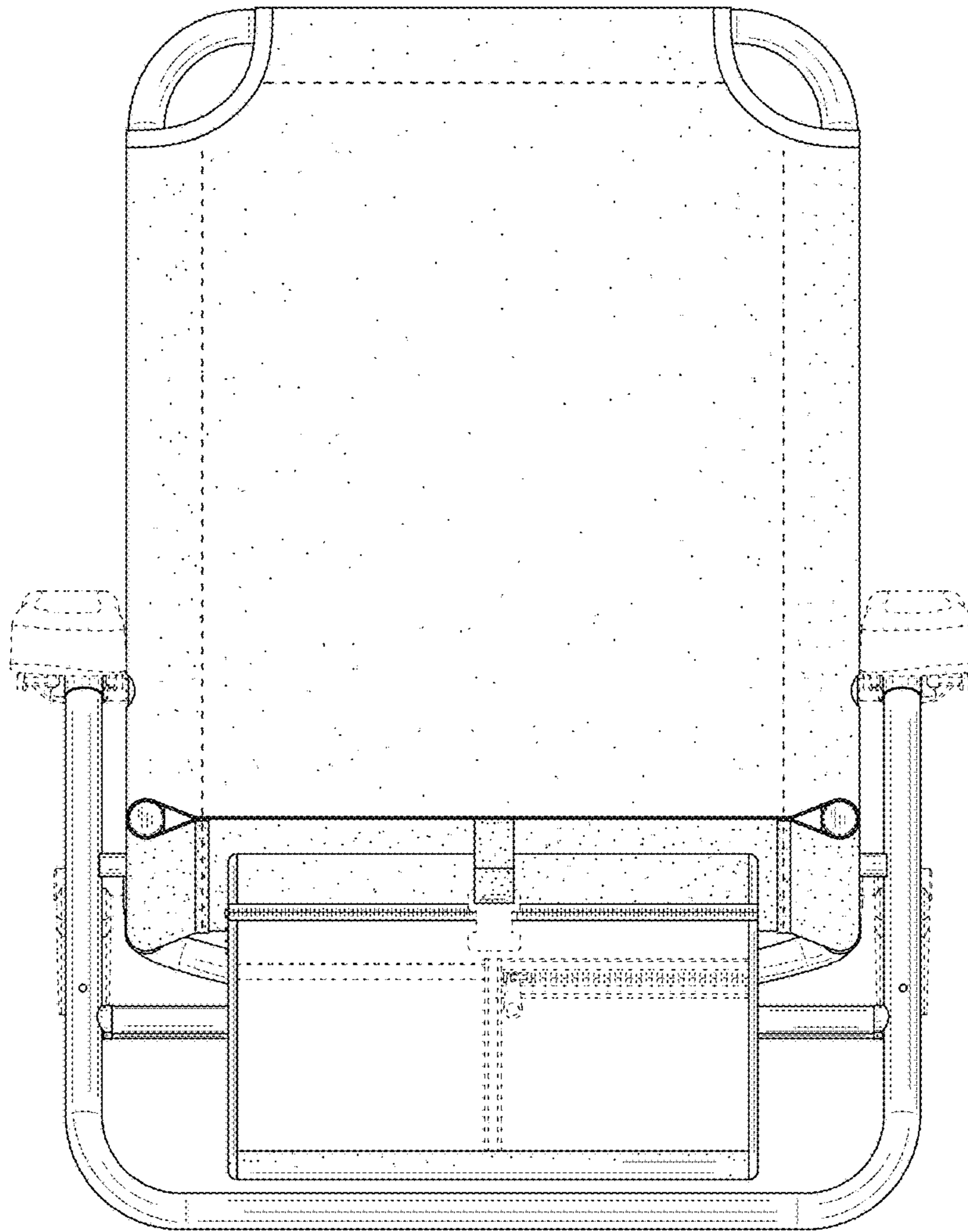


FIG. 3

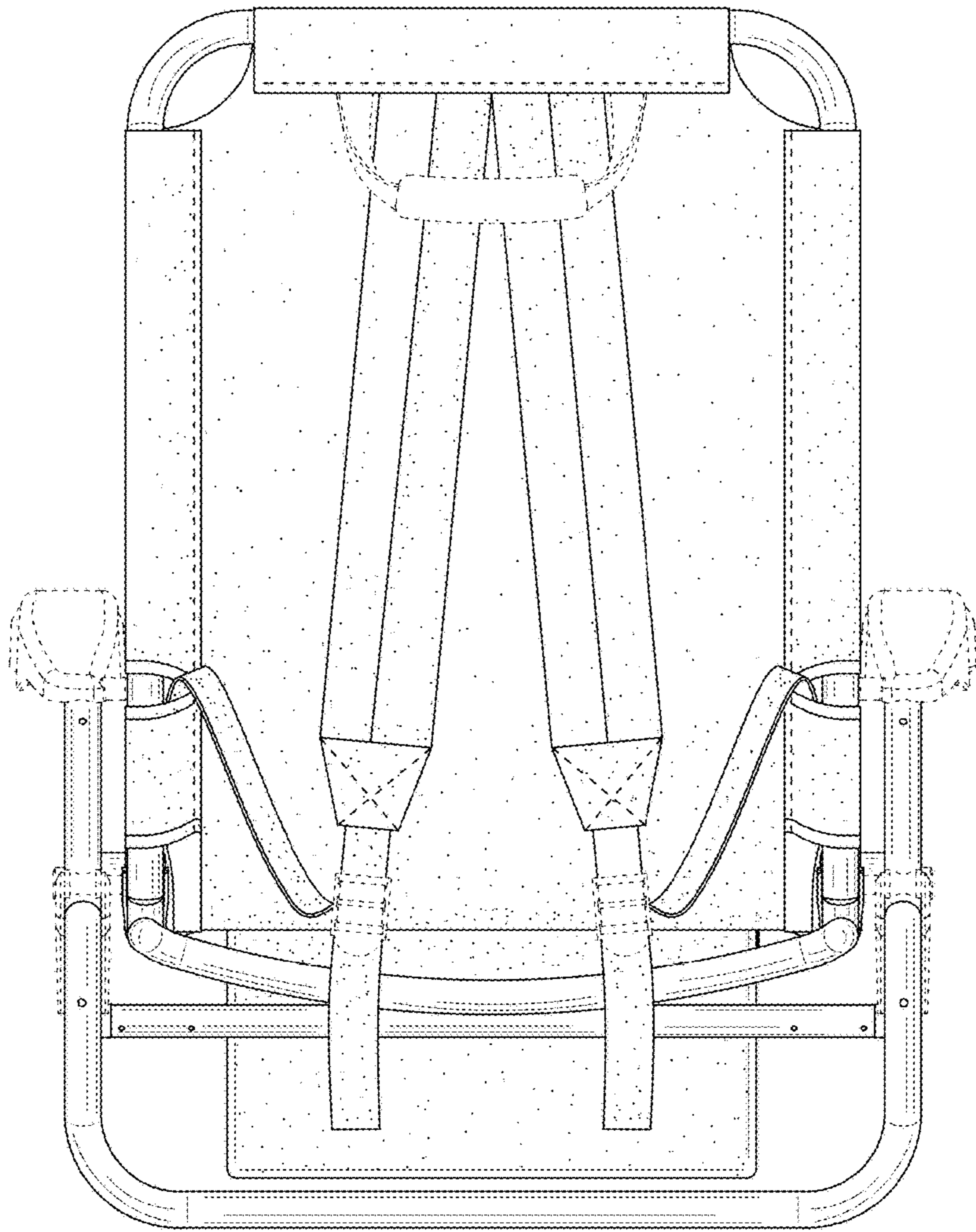


FIG. 4

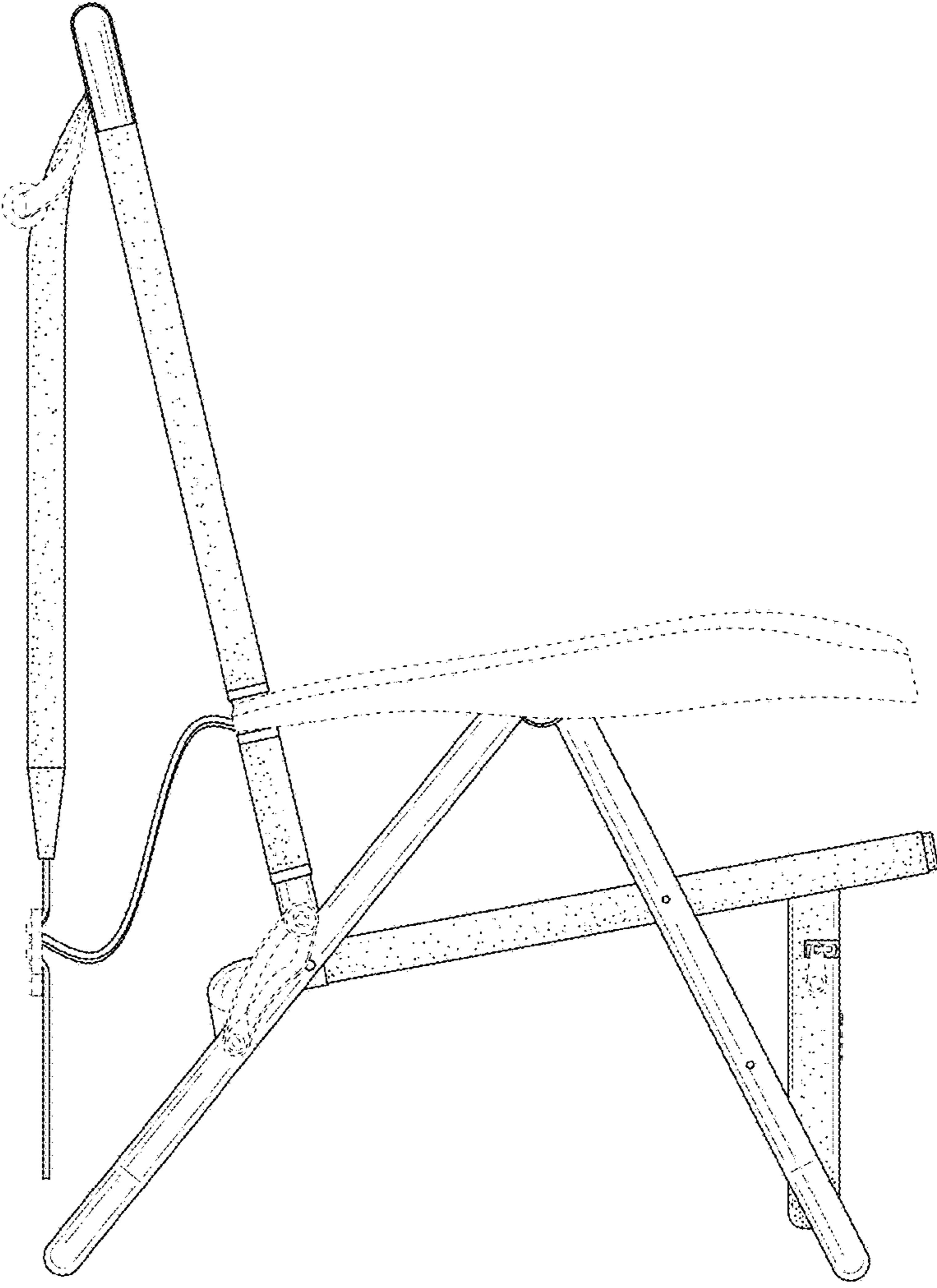


FIG. 5

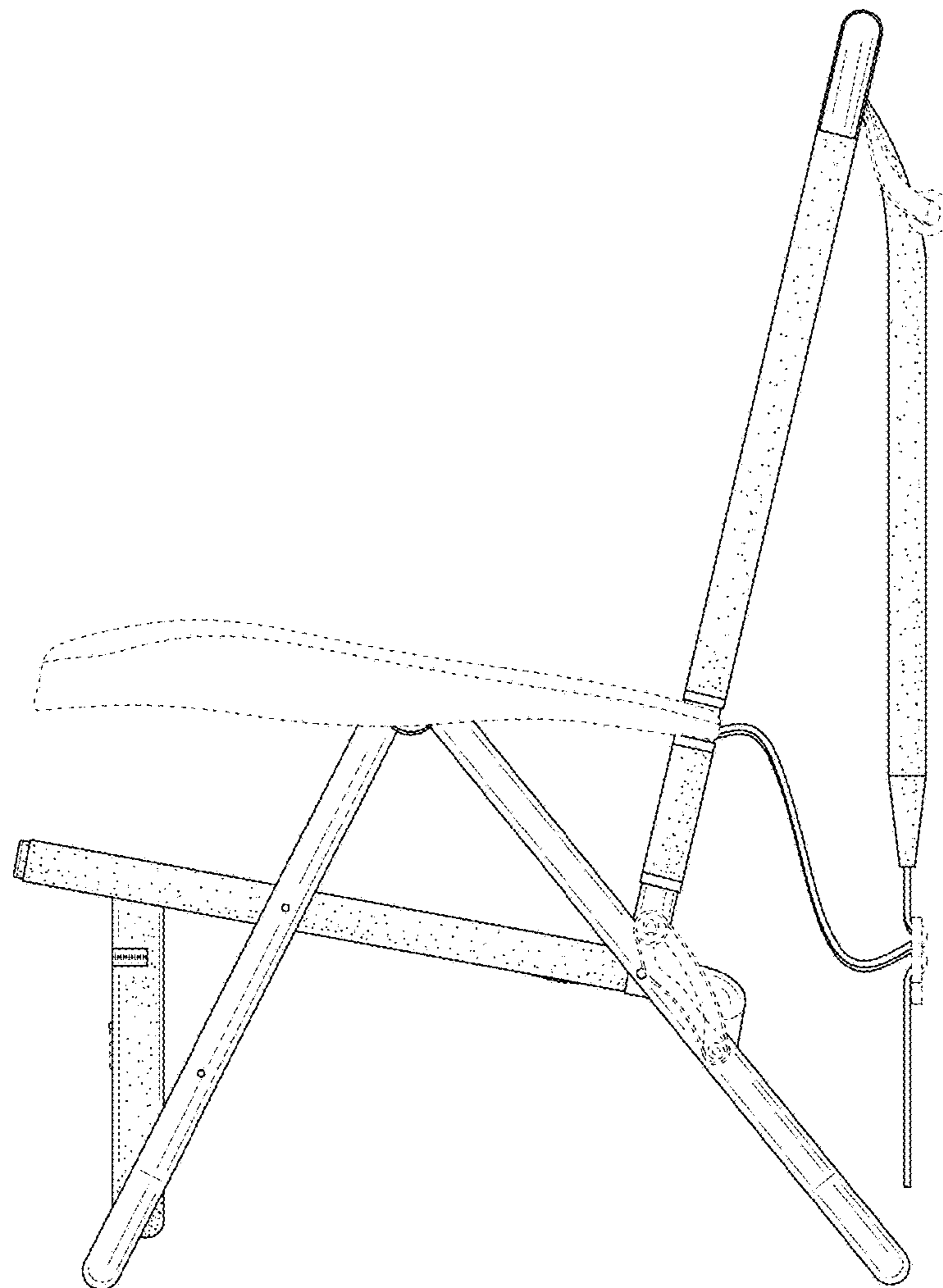


FIG. 6

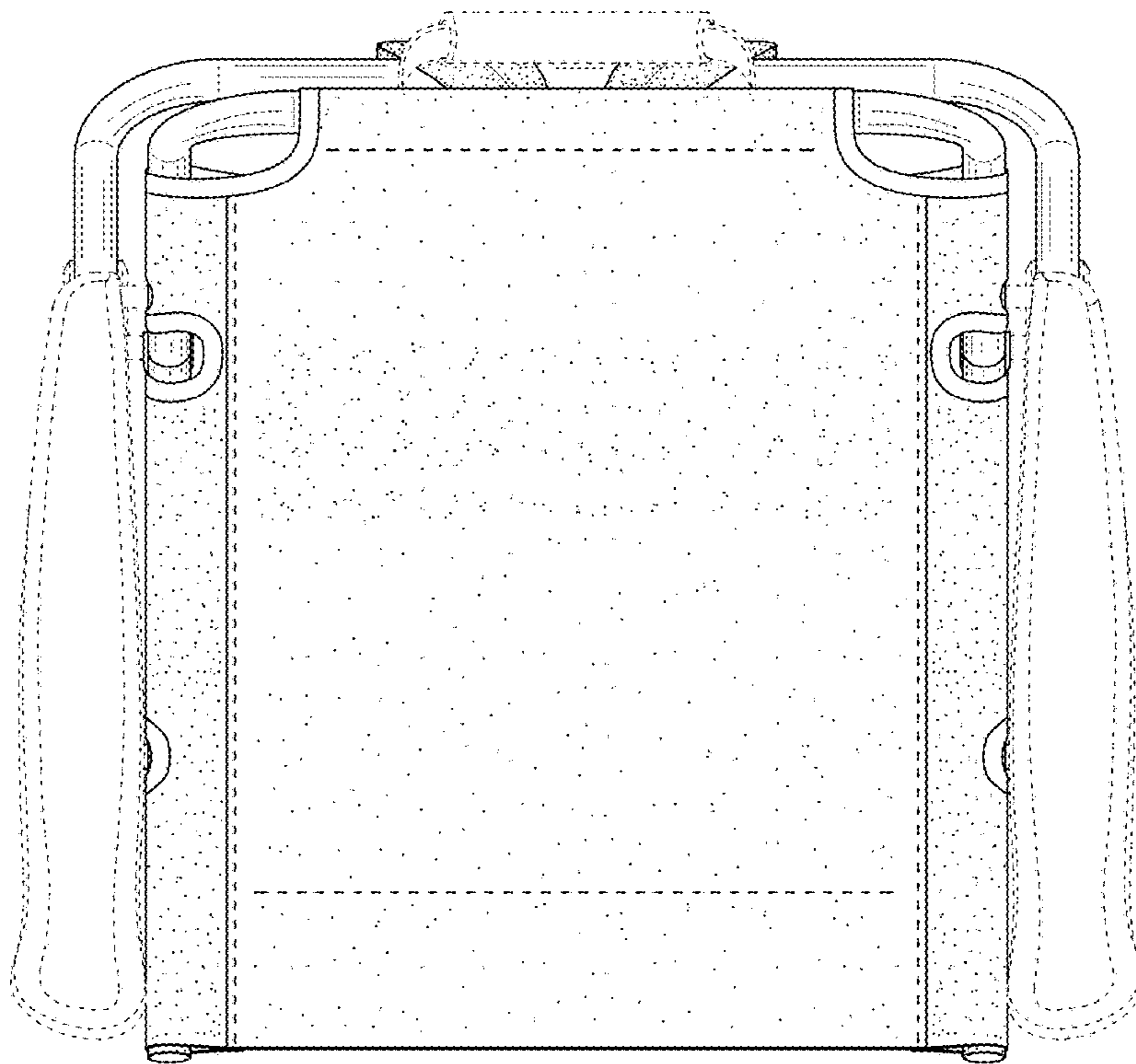


FIG. 7

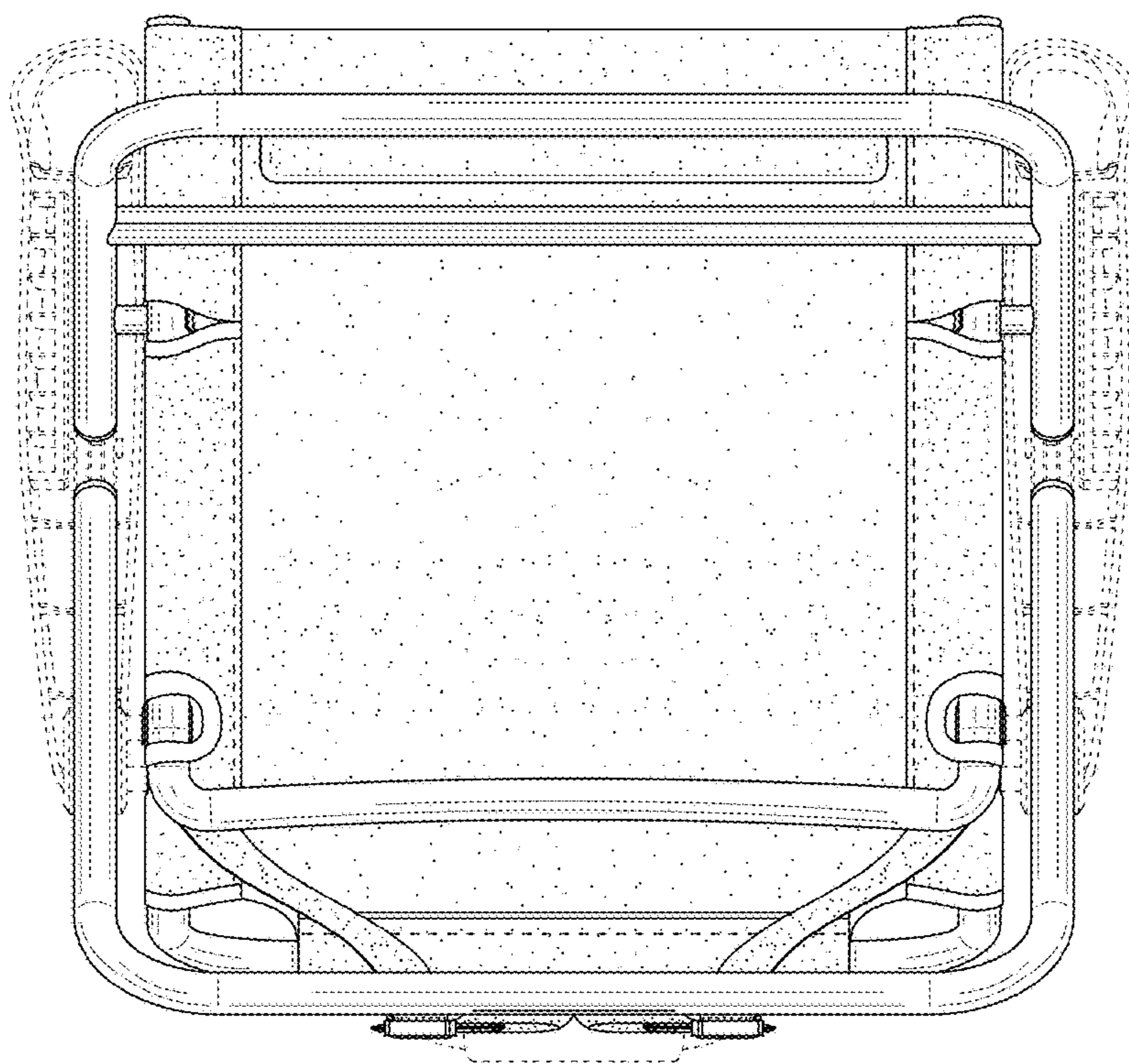


FIG. 8