



US00D850134S

(12) **United States Design Patent**  
**Kian**

(10) **Patent No.:** **US D850,134 S**  
(45) **Date of Patent:** **\*\* Jun. 4, 2019**

(54) **RECLINING CHAISE FRAME**

(71) Applicant: **Shawn Kian**, Sacramento, CA (US)

(72) Inventor: **Shawn Kian**, Sacramento, CA (US)

(\*\*) Term: **15 Years**

(21) Appl. No.: **29/611,419**

(22) Filed: **Jul. 21, 2017**

(51) **LOC (11) Cl.** ..... **06-01**

(52) **U.S. Cl.**  
USPC ..... **D6/368**; D6/361

(58) **Field of Classification Search**  
USPC ..... D6/334–336, 361, 368, 382, 374–381,  
D6/716, 716.1–716.8, 717.2  
CPC .... A47C 4/00; A47C 4/02; A47C 4/03; A47C  
4/04; A47C 4/08; A47C 4/10; A47C 4/14;  
A47C 5/10; A47C 17/00; A47C 17/64;  
A47C 17/70

See application file for complete search history.

(56) **References Cited**

**U.S. PATENT DOCUMENTS**

6,311,348	B1 *	11/2001	Luff	.....	A47C 20/041 5/613
D650,602	S *	12/2011	Massaud	.....	D6/361
D653,870	S *	2/2012	Messenger	.....	D6/361
D703,965	S *	5/2014	Kielbon	.....	D6/361
D722,782	S *	2/2015	Sherwood	.....	D6/382
D733,452	S *	7/2015	Rawls-Meehan	.....	D6/361
D783,299	S *	4/2017	Cochran	.....	D6/361
D784,718	S *	4/2017	Bellingroth	.....	D6/382
2014/0053340	A1 *	2/2014	Viberg	.....	A47C 20/041 5/657

**OTHER PUBLICATIONS**

Ryele, posted at Wayfair.com, posted on Jun. 16, 2016, site visited  
Nov. 3, 2018. online, available from internet: <https://www.wayfair.com/outdoor/pdp/latitude-run-ryele-contemporary-chaise-lounge-with-cushion-lder2714.html> (Year: 2016).\*

(Continued)

*Primary Examiner* — Mary Ann Calabrese

*Assistant Examiner* — Catherine Ho

(74) *Attorney, Agent, or Firm* — Craig A. Simmermon

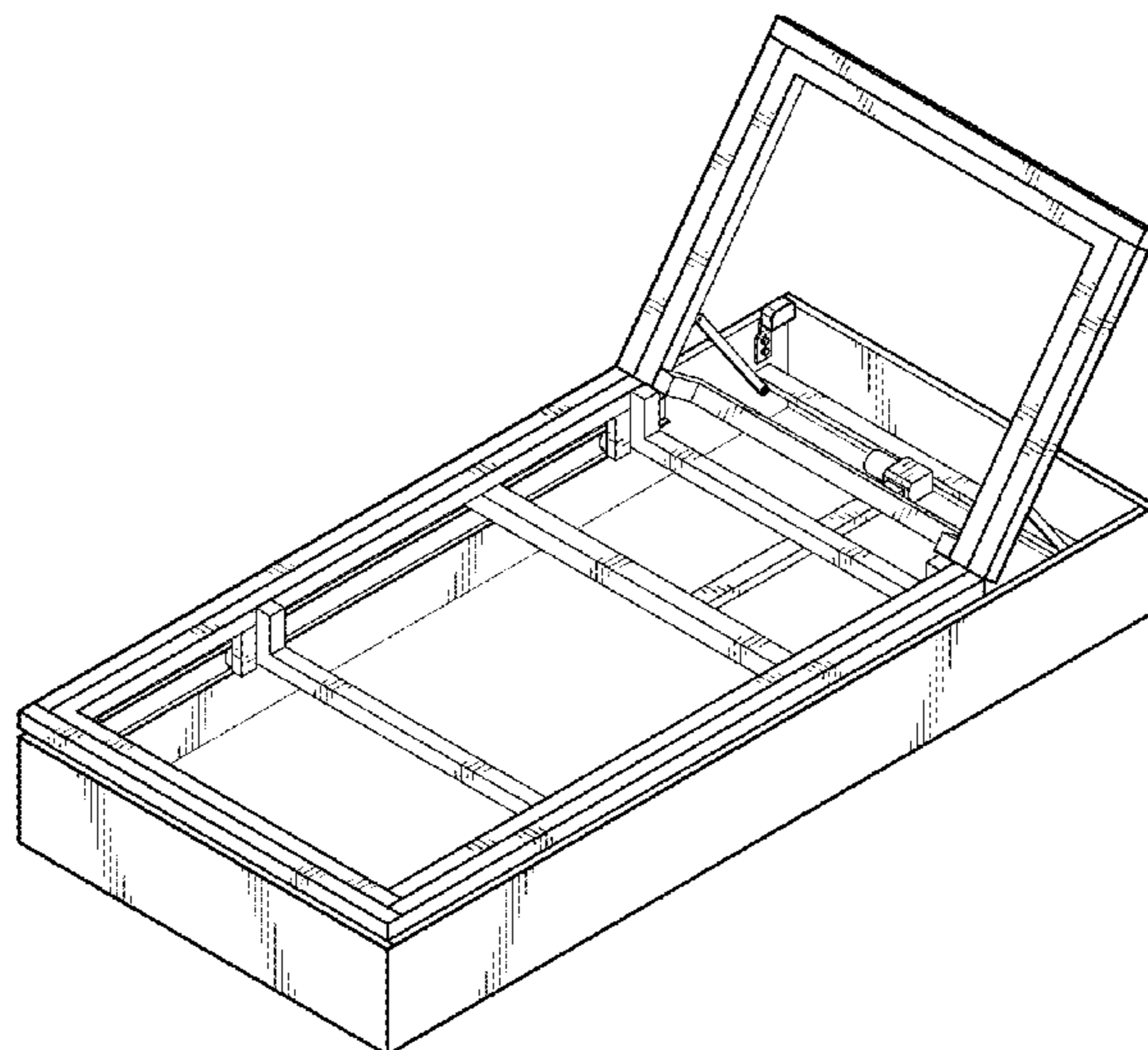
(57) **CLAIM**

I claim the ornamental design for a reclining chaise frame, as shown and described.

**DESCRIPTION**

FIG. 1 is a top left perspective view of a reclining chaise frame in an extended position, showing my new design; FIG. 2 is a front elevation view thereof; FIG. 3 is a right side elevation view thereof, the left side elevation view being a mirror image thereof; FIG. 4 is a bottom plan view thereof; FIG. 5 is a rear elevation view thereof; FIG. 6 is a cross-sectional view of the inside-side of the reclining chaise frame taken in the direction of section 6-6 of FIG. 4; FIG. 7 is a top left perspective view of a reclining chaise frame in a collapsed position, showing my new design; FIG. 8 is a front elevation view thereof; FIG. 9 is a right side elevation view thereof, the left side elevation view being a mirror image thereof; FIG. 10 is a bottom plan view thereof; FIG. 11 is a rear elevation view thereof; FIG. 12 is a cross-sectional view of the inside-side of the reclining chaise frame taken in the direction of section 12-12 of FIG. 10; and, FIG. 13 is a top left perspective view of a reclining chaise frame in extended position shown in an environment of use. Broken lines in the drawings represent unclaimed environmental subject matter and form no part of the claimed design.

**1 Claim, 9 Drawing Sheets**



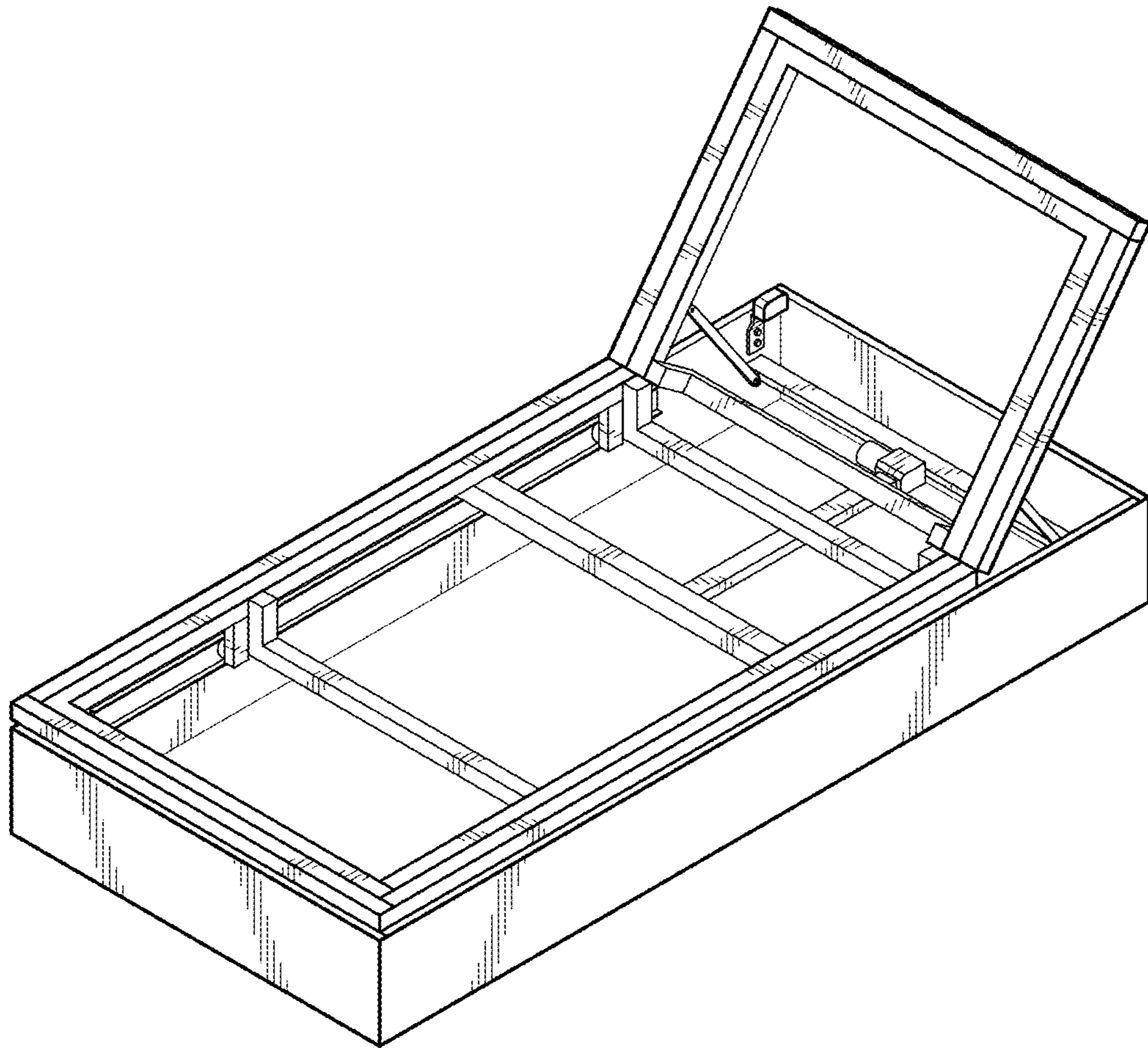
(56)

**References Cited**

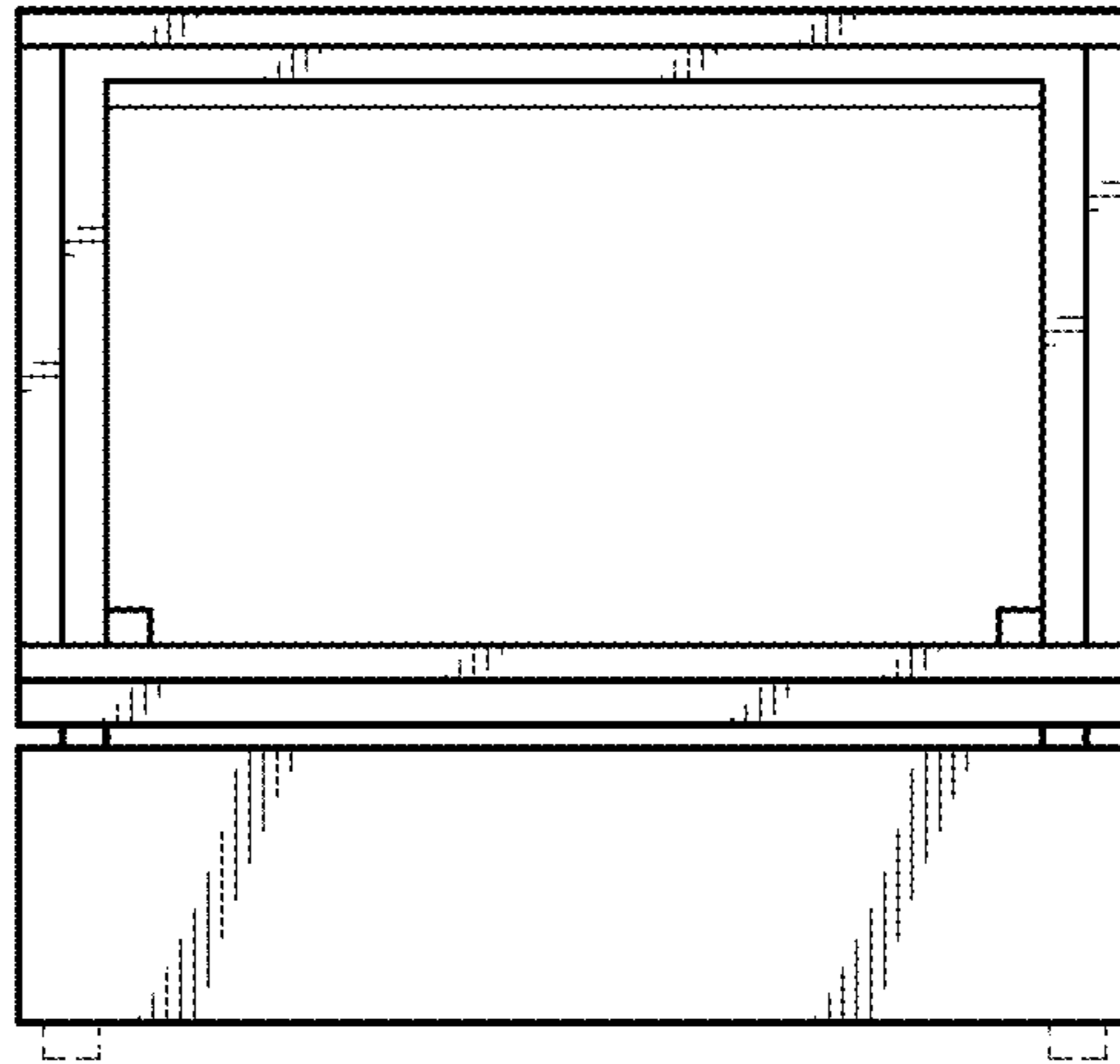
OTHER PUBLICATIONS

Asellus, posted at Wayfair.com, posted on Nov. 9, 2016, site visited Nov. 3, 2018. online, available from internet: <https://www.wayfair.com/outdoor/pdp/brayden-studio-asellus-chaise-lounge-set-with-cushions-and-table-brsu1447.html> (Year: 2016).\*

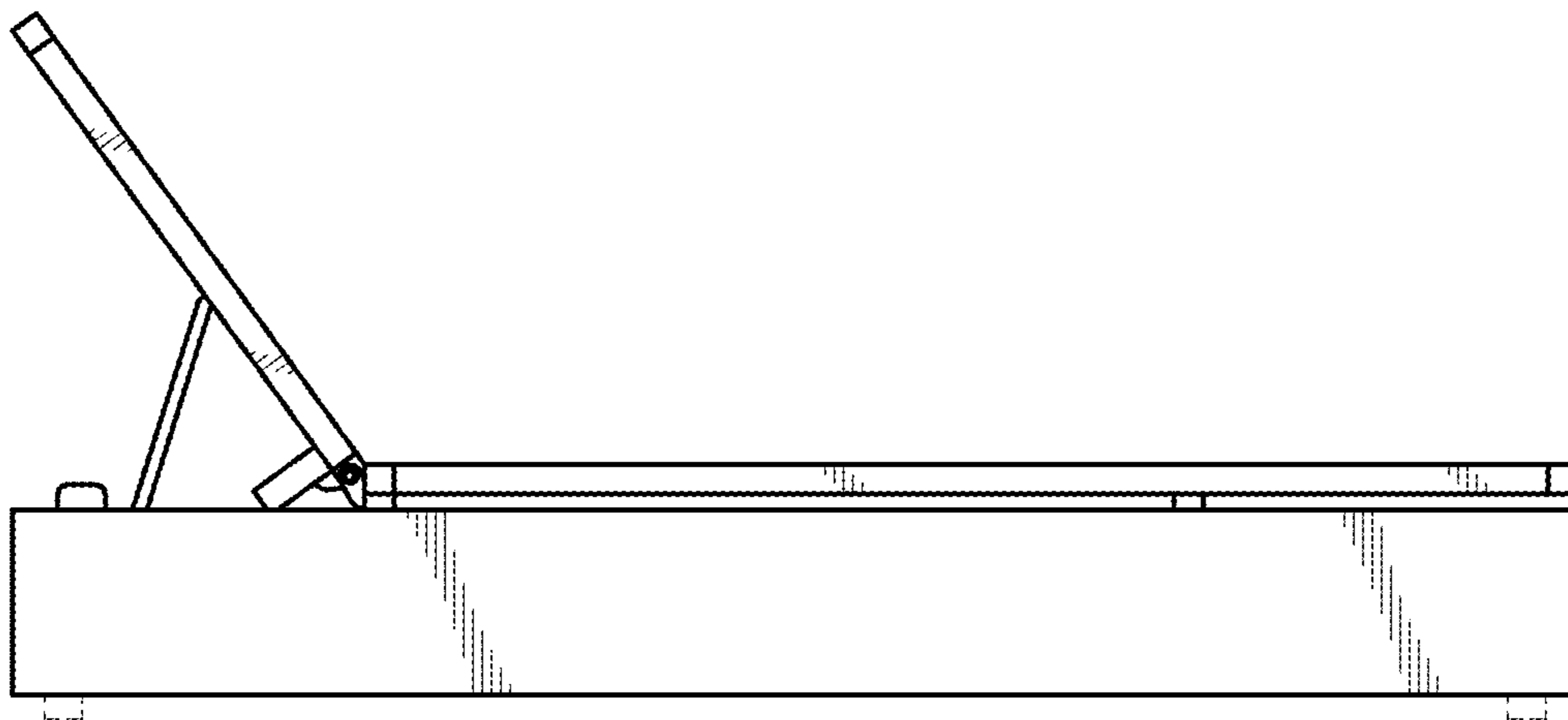
\* cited by examiner



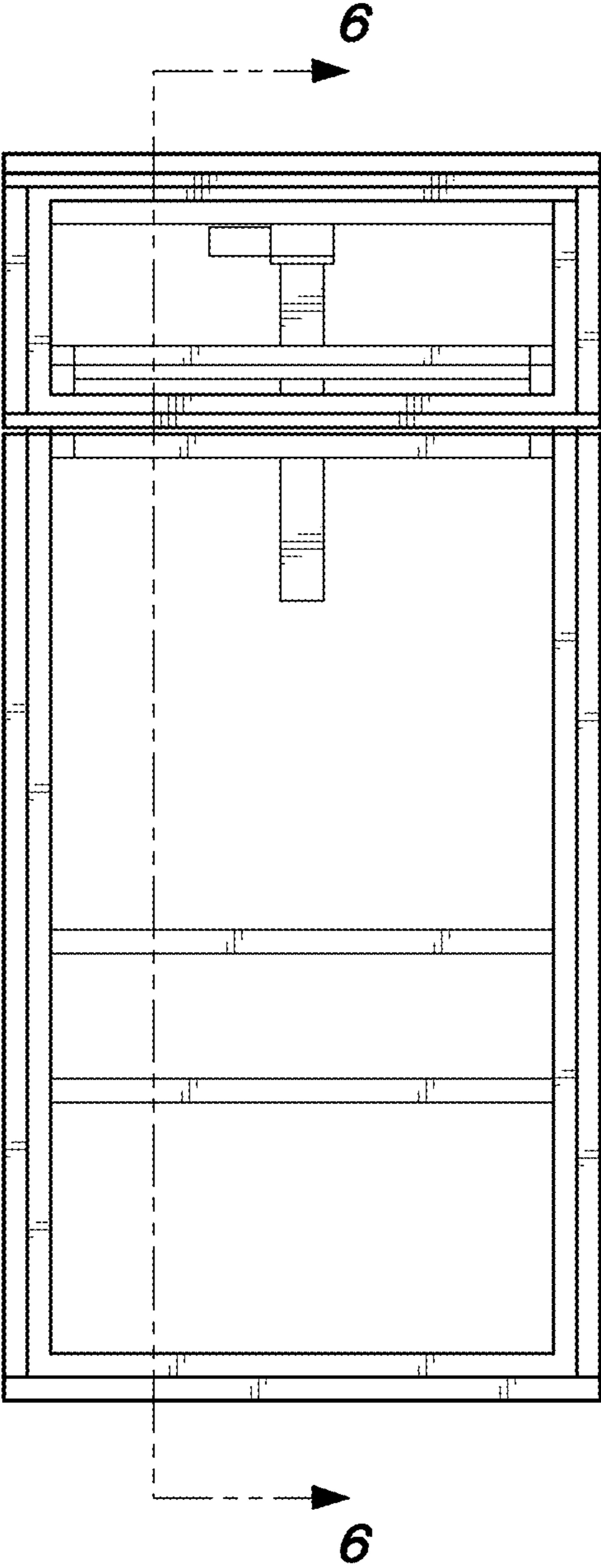
**FIG. 1**



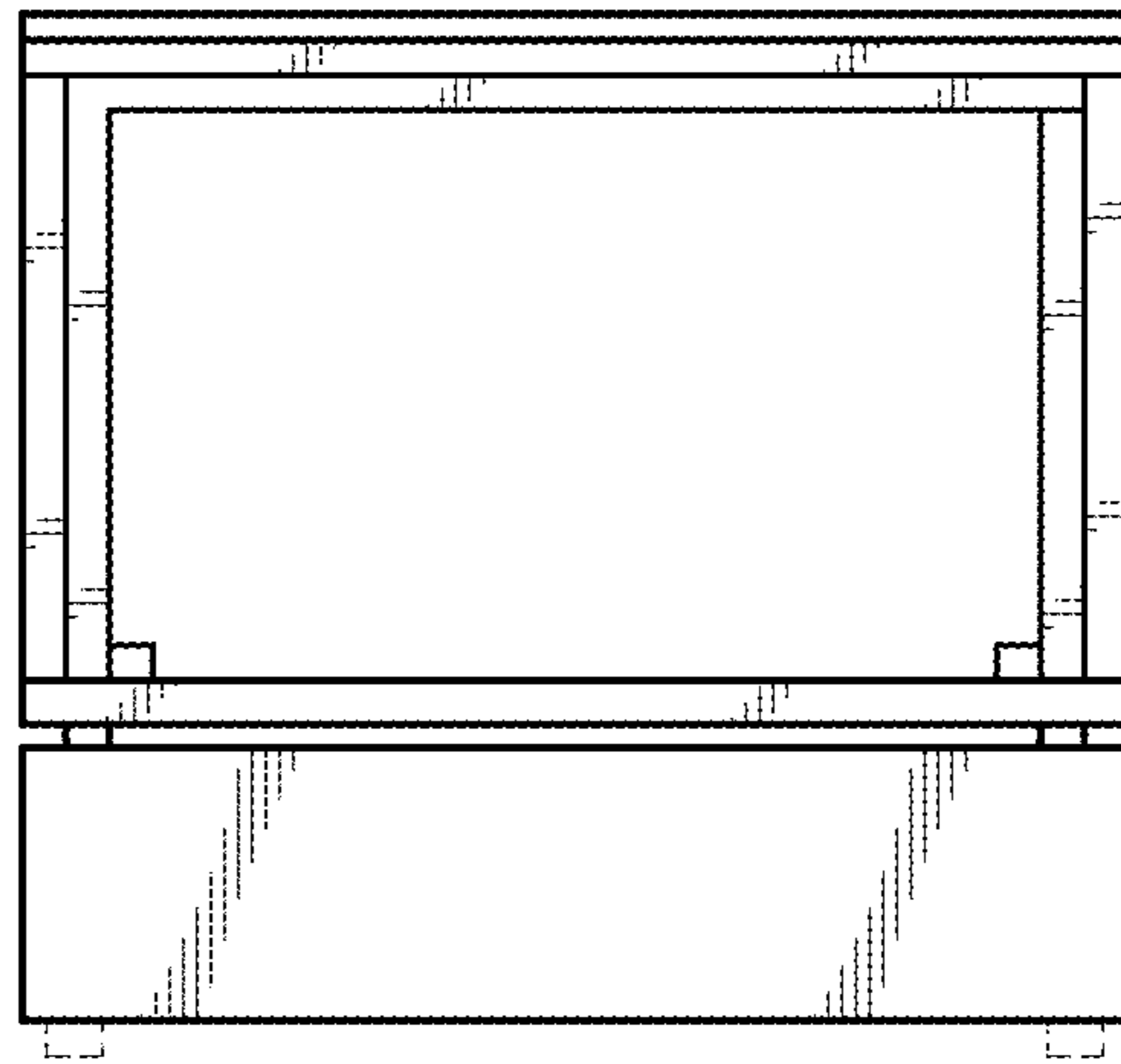
**FIG. 2**



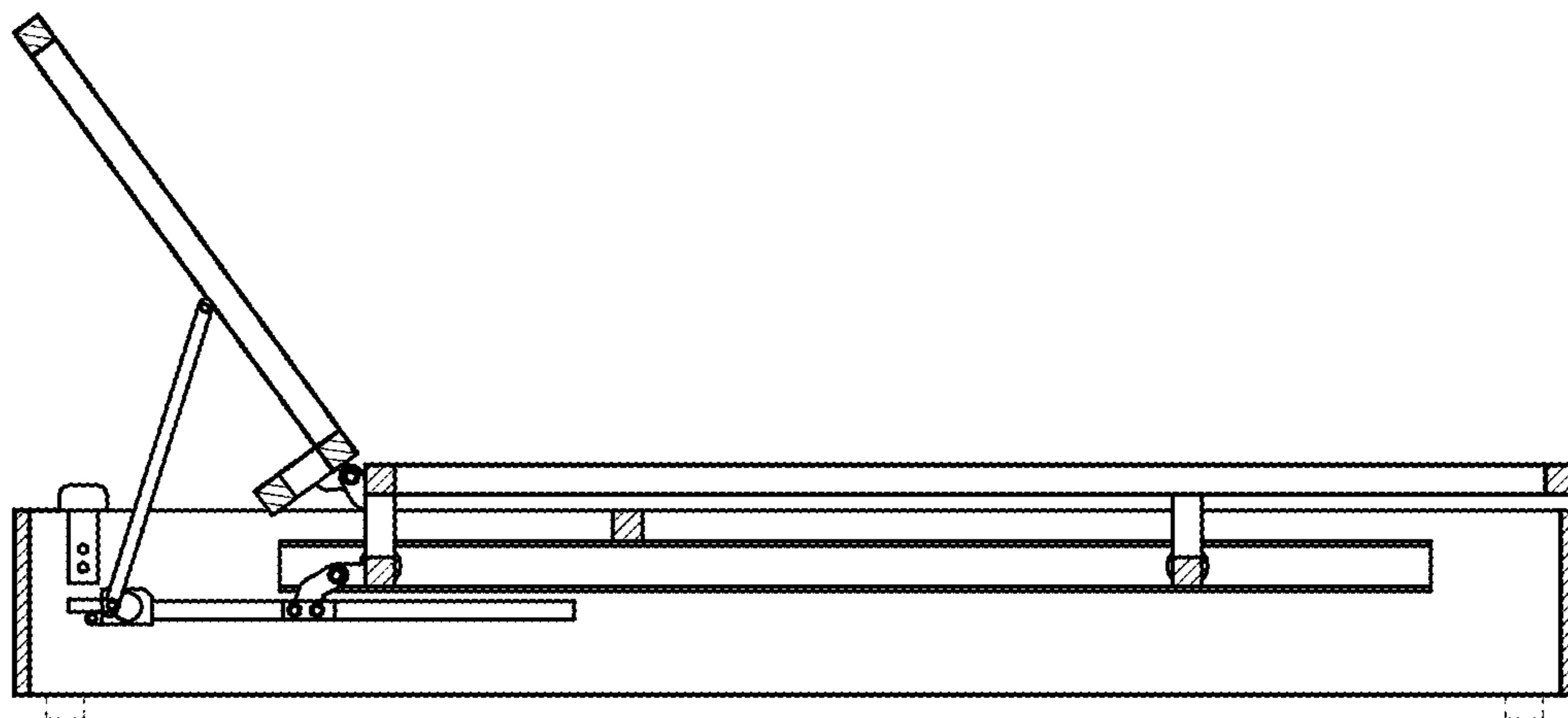
**FIG. 3**



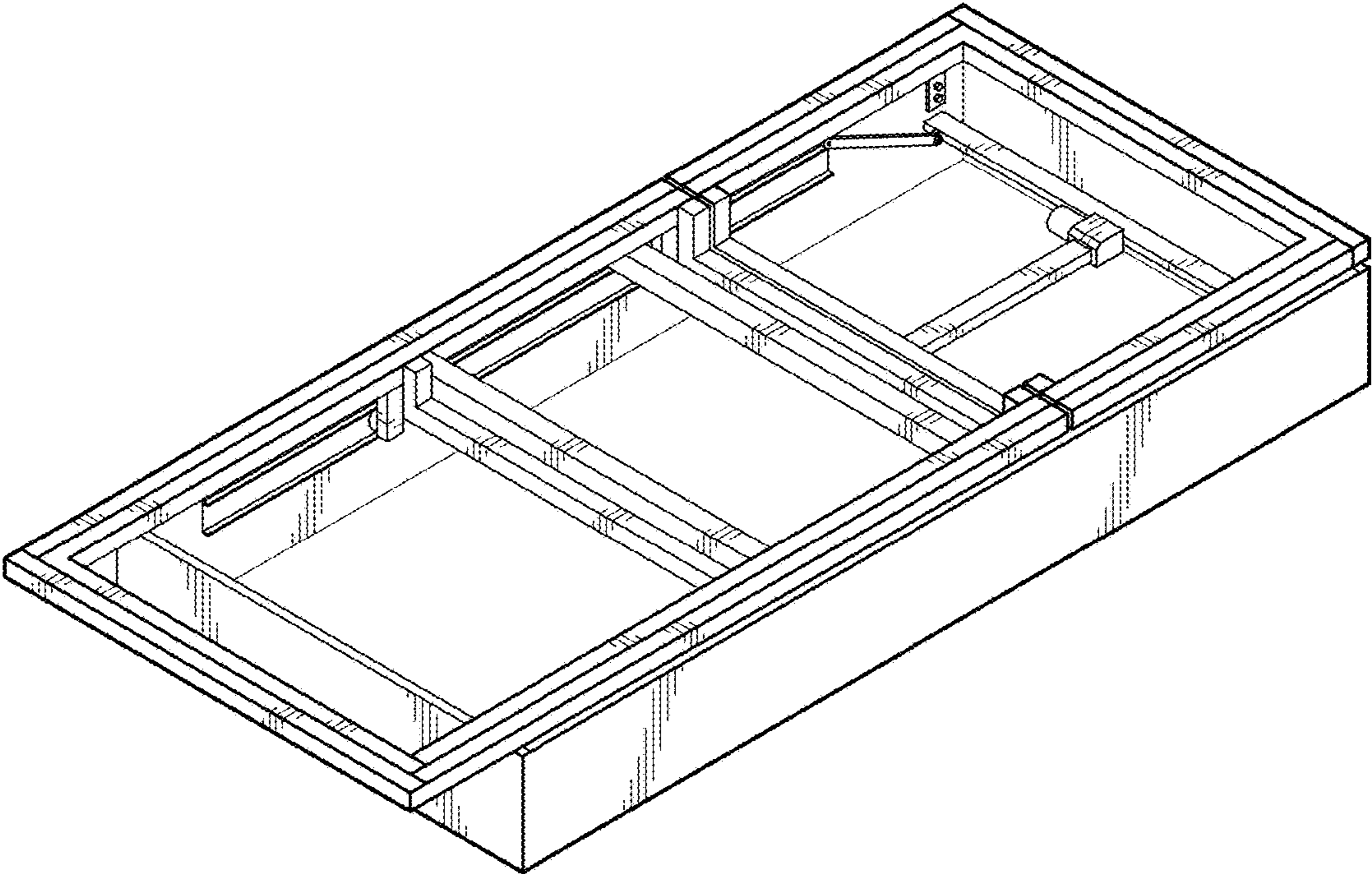
**FIG. 4**



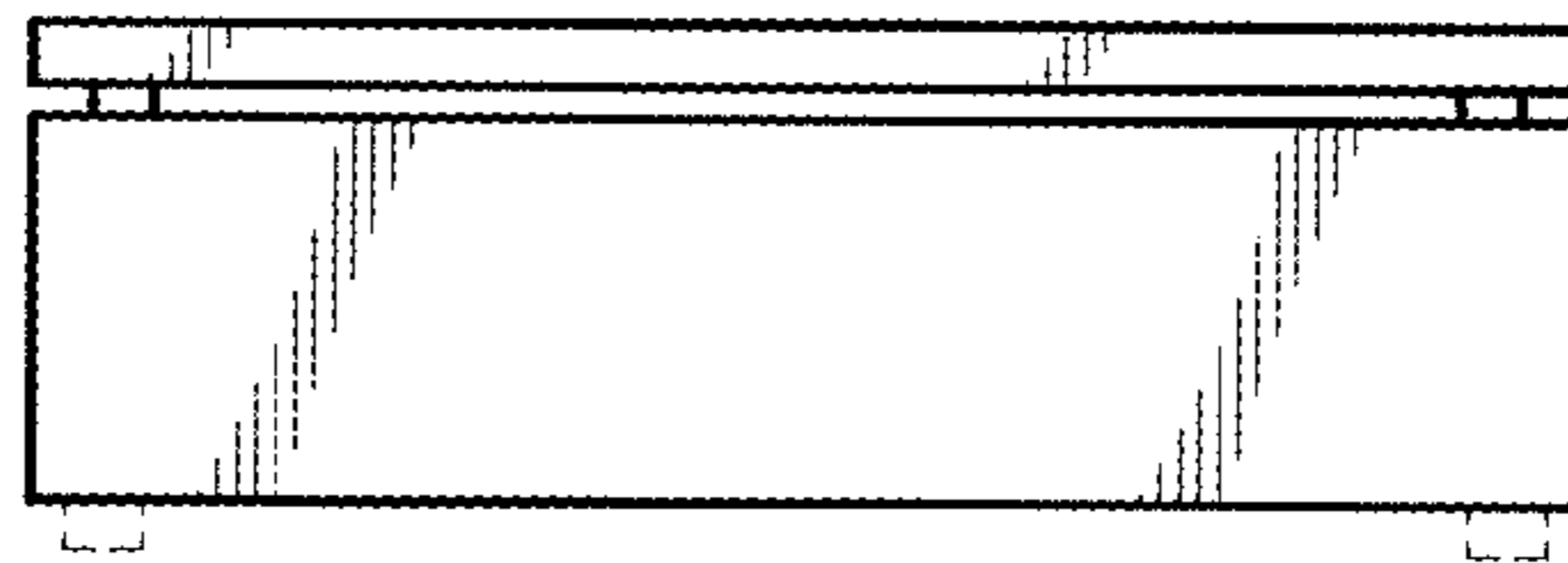
**FIG. 5**



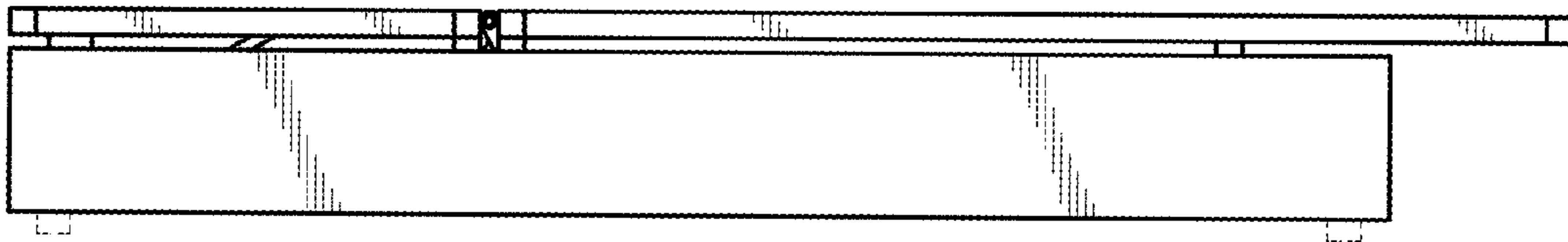
**FIG. 6**



*FIG. 7*

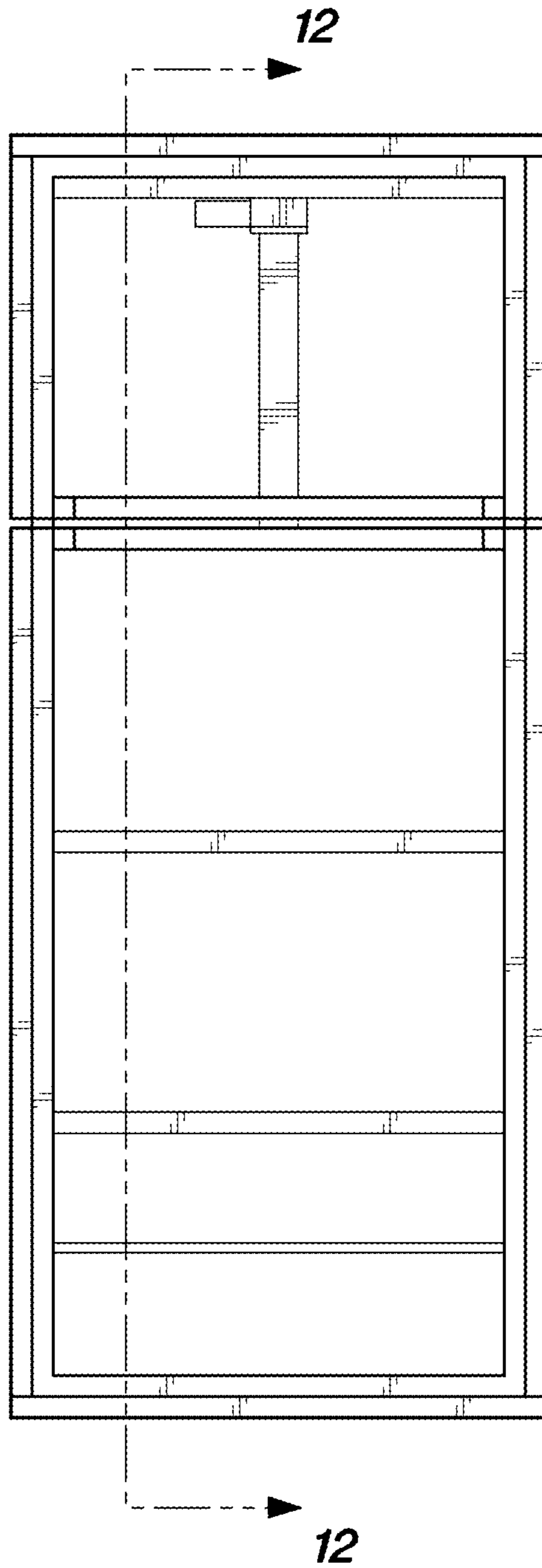


*FIG. 8*

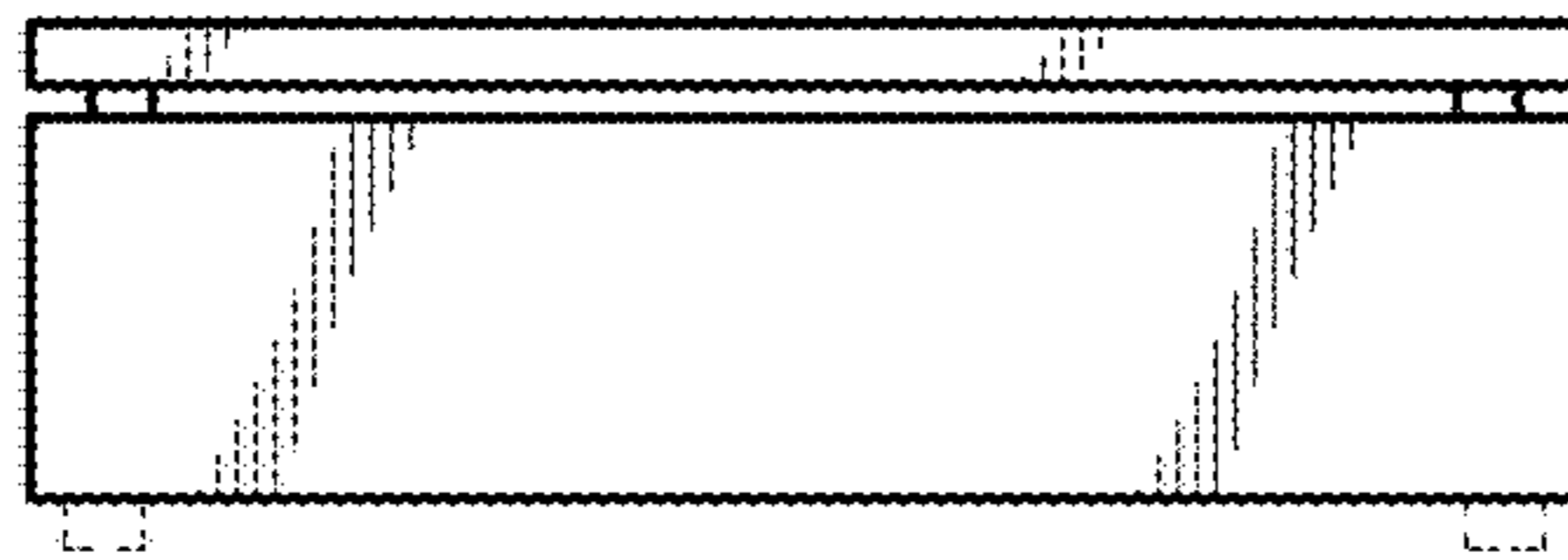


*FIG. 9*

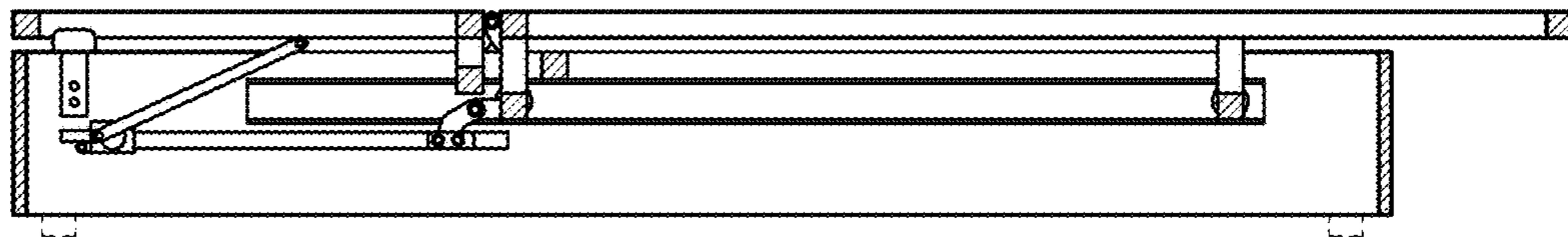




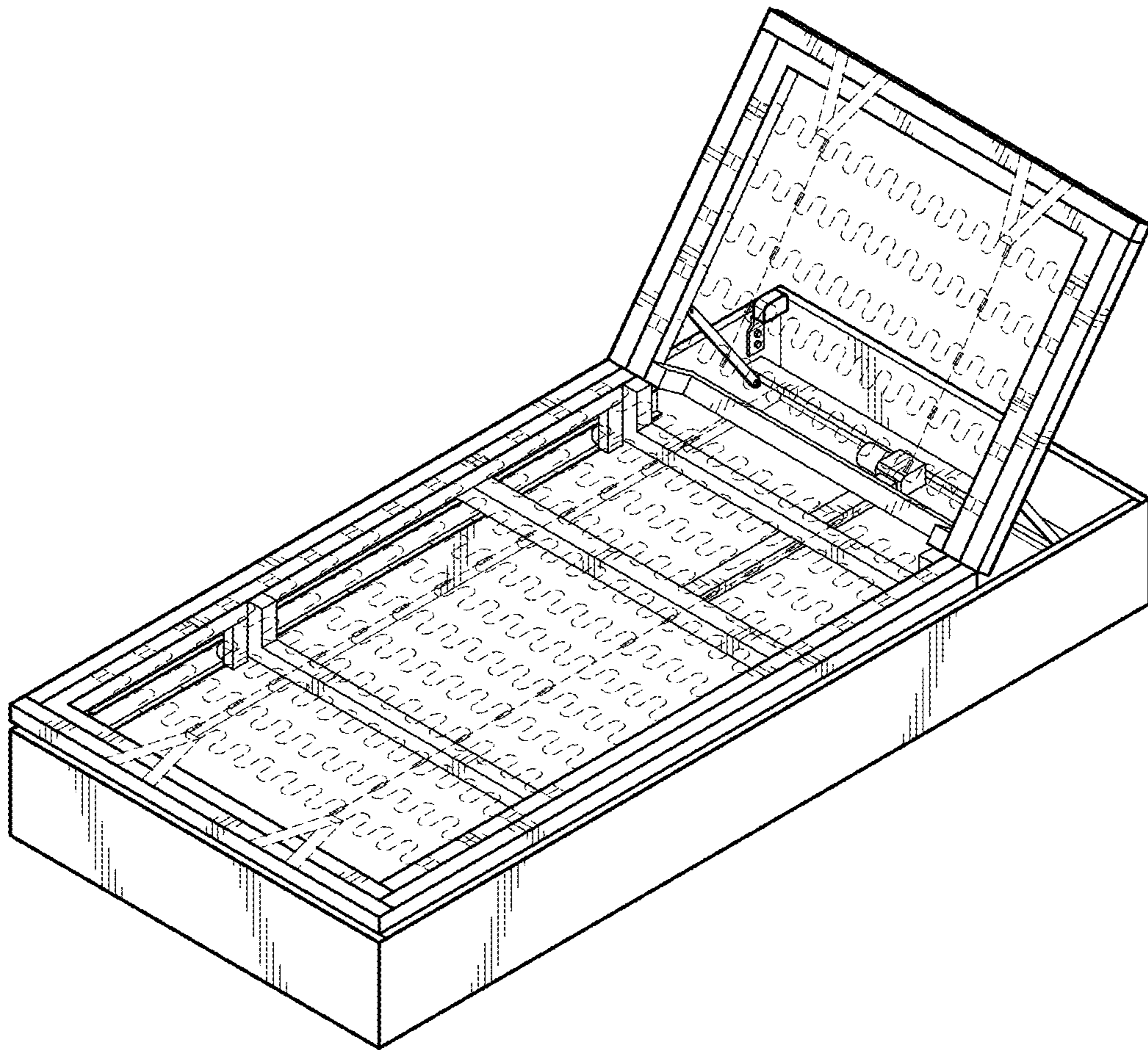
**FIG. 10**



*FIG. 11*



*FIG. 12*



**FIG. 13**