



US00D850133S

(12) **United States Design Patent** (10) **Patent No.:** **US D850,133 S**
Voorhees, Jr. (45) **Date of Patent:** **** Jun. 4, 2019**

(54) **X-FRAME CHAIR**
(71) Applicant: **Robert F. Voorhees, Jr.**, Toms River, NJ (US)
(72) Inventor: **Robert F. Voorhees, Jr.**, Toms River, NJ (US)
(**) Term: **15 Years**
(21) Appl. No.: **29/651,354**
(22) Filed: **Jun. 4, 2018**
(51) **LOC (11) Cl.** **06-01**
(52) **U.S. Cl.**
USPC **D6/361**
(58) **Field of Classification Search**
USPC ... D6/332, 335, 328, 361, 362, 654.15, 706, D6/708.17, 709.16, 709.17, 709.21; D21/521, 522, 530, 826
CPC .. A47G 9/086; A47G 9/08; A47C 4/54; A47C 7/18; A47C 9/002; A47C 15/006; A47C 20/026; A47C 20/027; A47C 27/086; A47C 27/12; A47C 27/14; A47C 1/02; A47C 3/16; A41D 2400/10; A41D 1/02; A45F 3/22; A47D 13/08; Y10S 297/01; Y10S 297/02; Y10S 482/907; Y10S 5/911; Y10S 5/915
See application file for complete search history.

D194,498 S * 2/1963 Miller 297/452.12
D218,889 S * 10/1970 Lamb D6/361
D227,204 S * 6/1973 Grierson D6/361
D227,952 S * 7/1973 Costabile D6/361
D228,428 S * 9/1973 Wilson D6/361
D539,553 S * 4/2007 Jimenez M. D6/361
D608,555 S * 1/2010 Aoki D6/344
D648,551 S * 11/2011 Clark D6/361
D724,793 S * 3/2015 Hansen D30/118
D734,953 S * 7/2015 Narancic D6/361

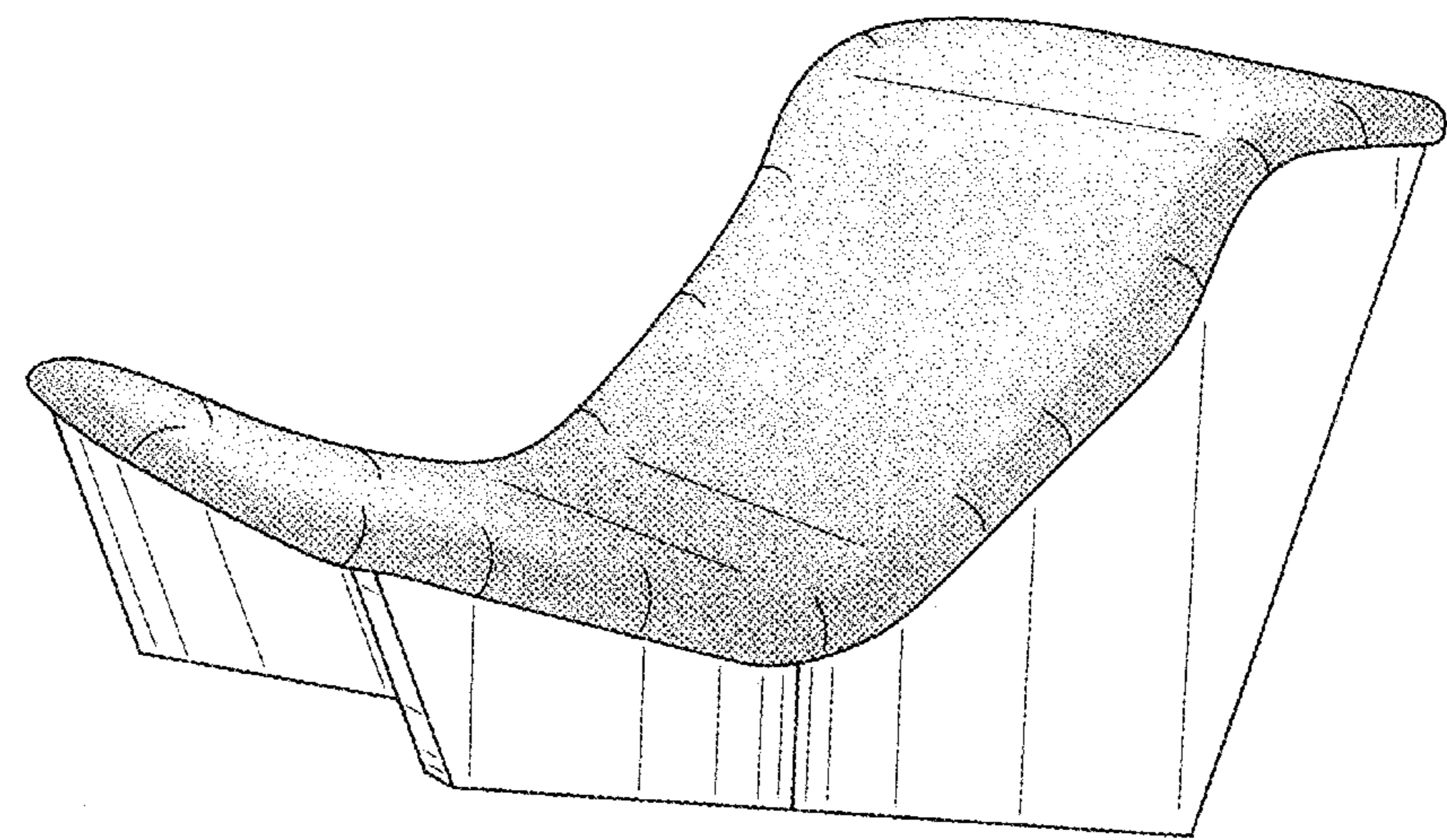
* cited by examiner
Primary Examiner — Kevin K Rudzinski
Assistant Examiner — Paul D Bohannon

(56) **References Cited**
U.S. PATENT DOCUMENTS
D145,092 S * 6/1946 Laskowitz 297/423.1
D145,927 S * 11/1946 Cutrow 297/452.17

(57) **CLAIM**
The ornamental design for an X-frame chair, as show and described.

DESCRIPTION
FIG. 1 is a perspective view of an X-frame chair showing my new design.
FIG. 2 is a front view thereof; and,
FIG. 3 is a rear view thereof;
FIG. 4 is a right side view thereof/left side view is a mirror image thereof;
FIG. 5 is a top view thereof; and,
FIG. 6 is a bottom view thereof.

1 Claim, 4 Drawing Sheets



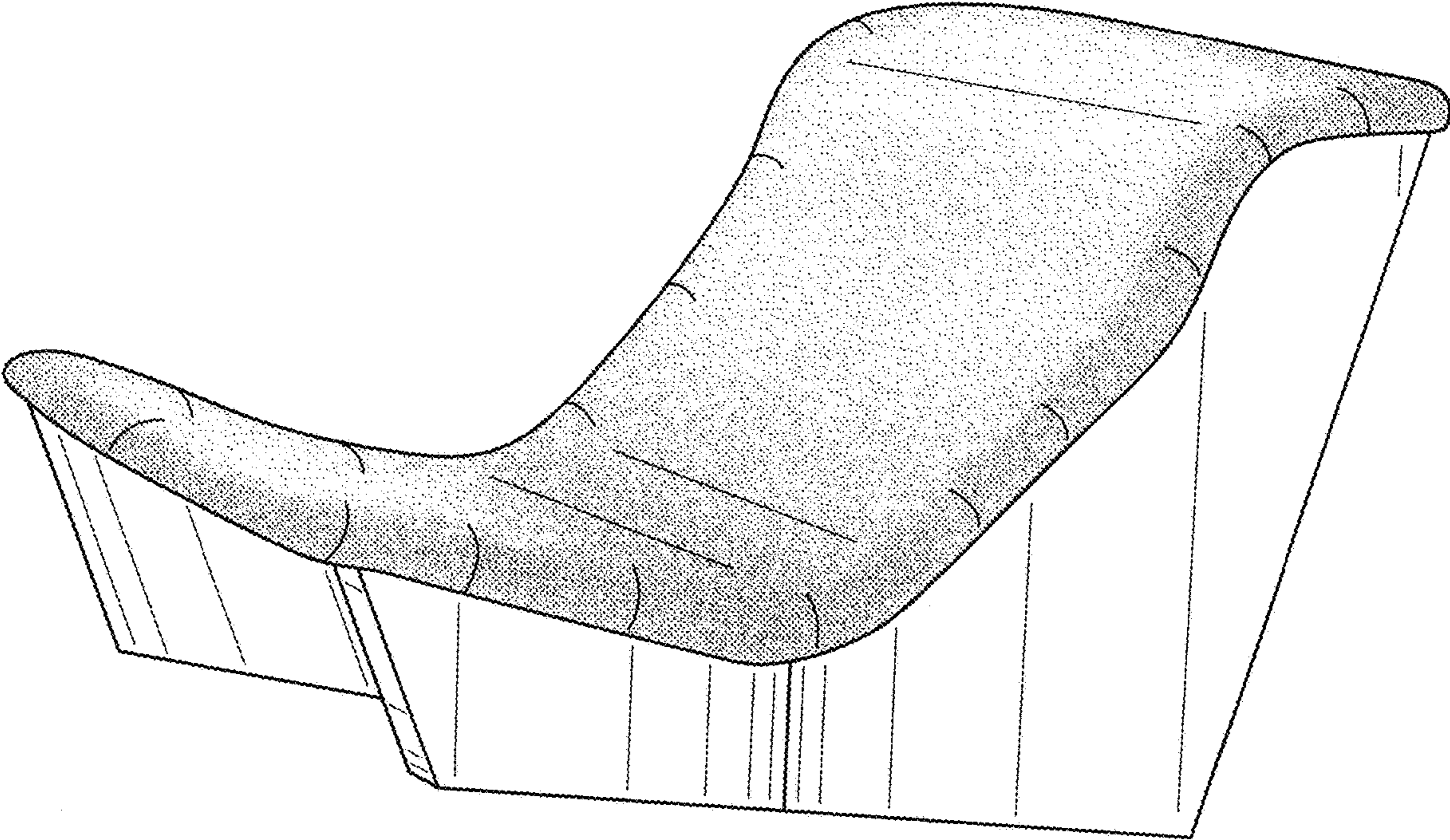


FIG. 1

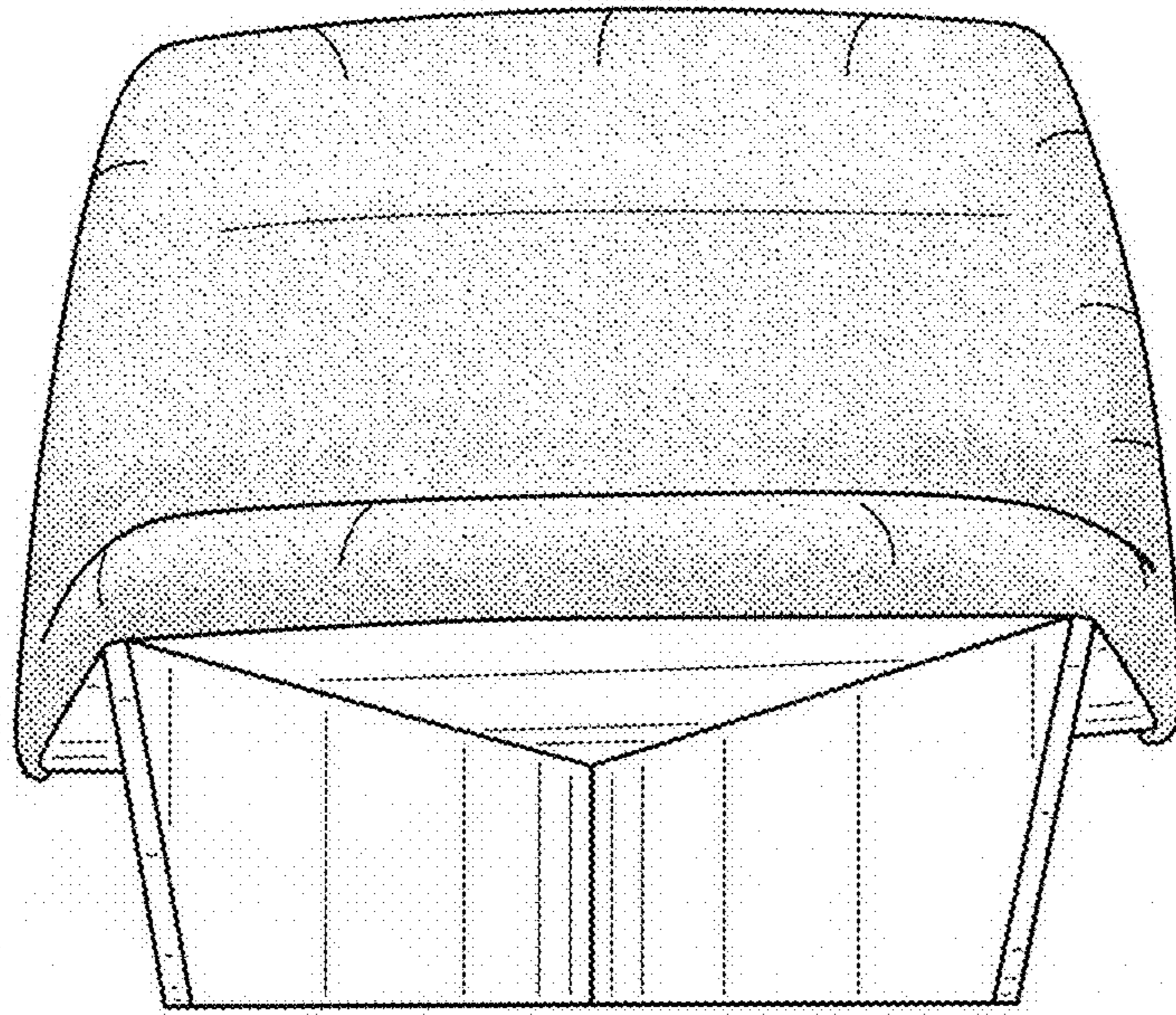


FIG. 2

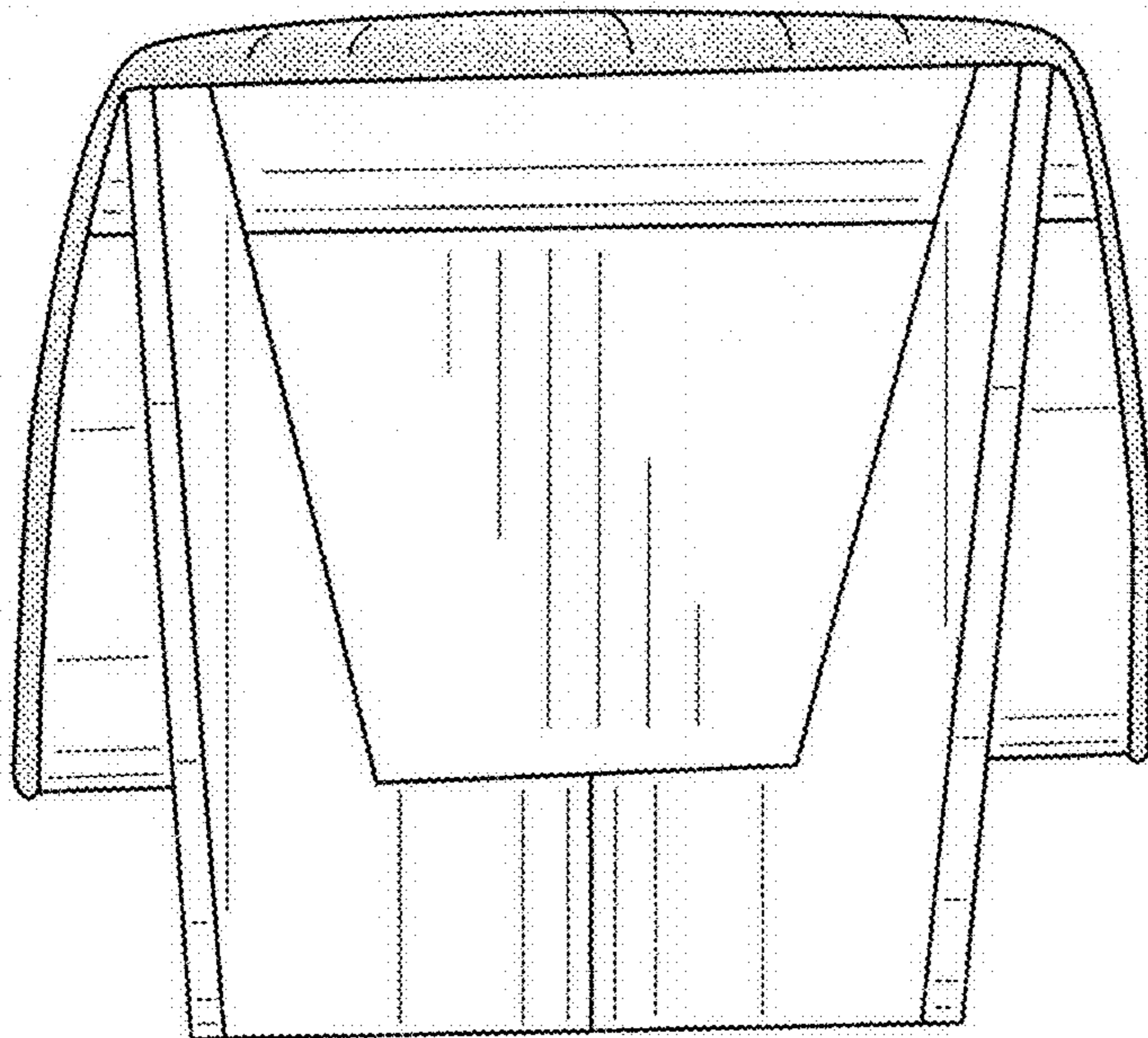


FIG. 3

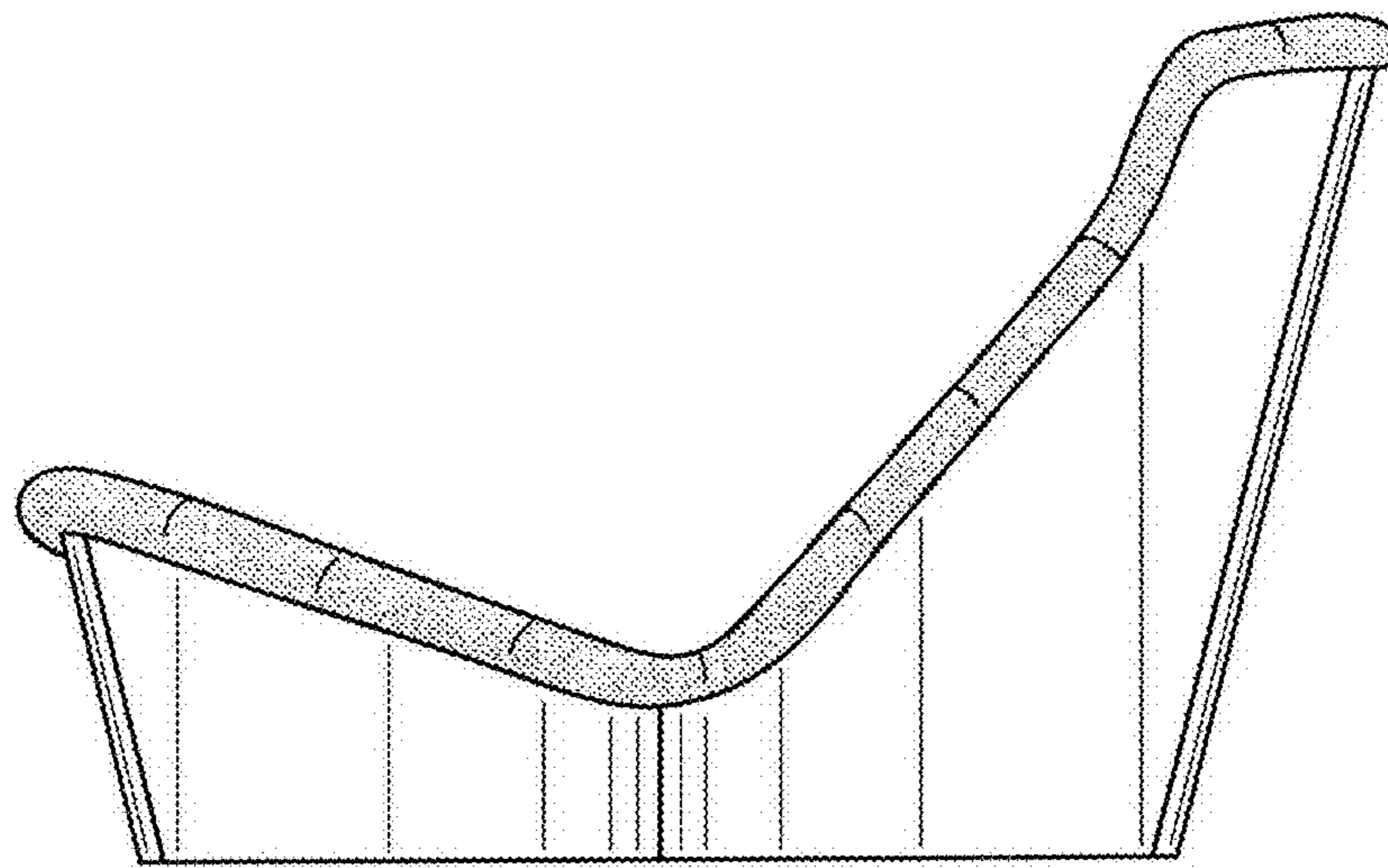


FIG. 4

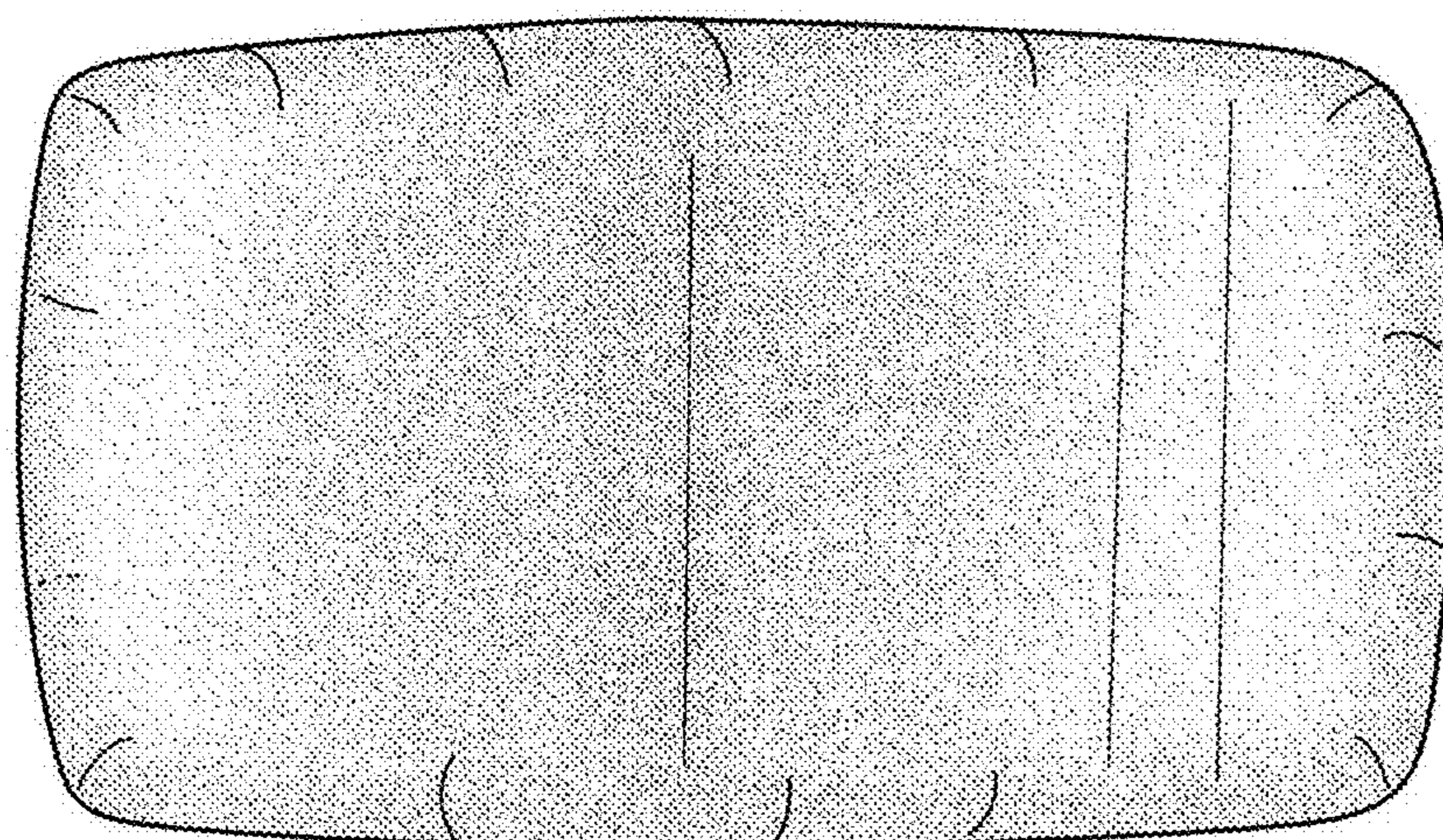


FIG. 5

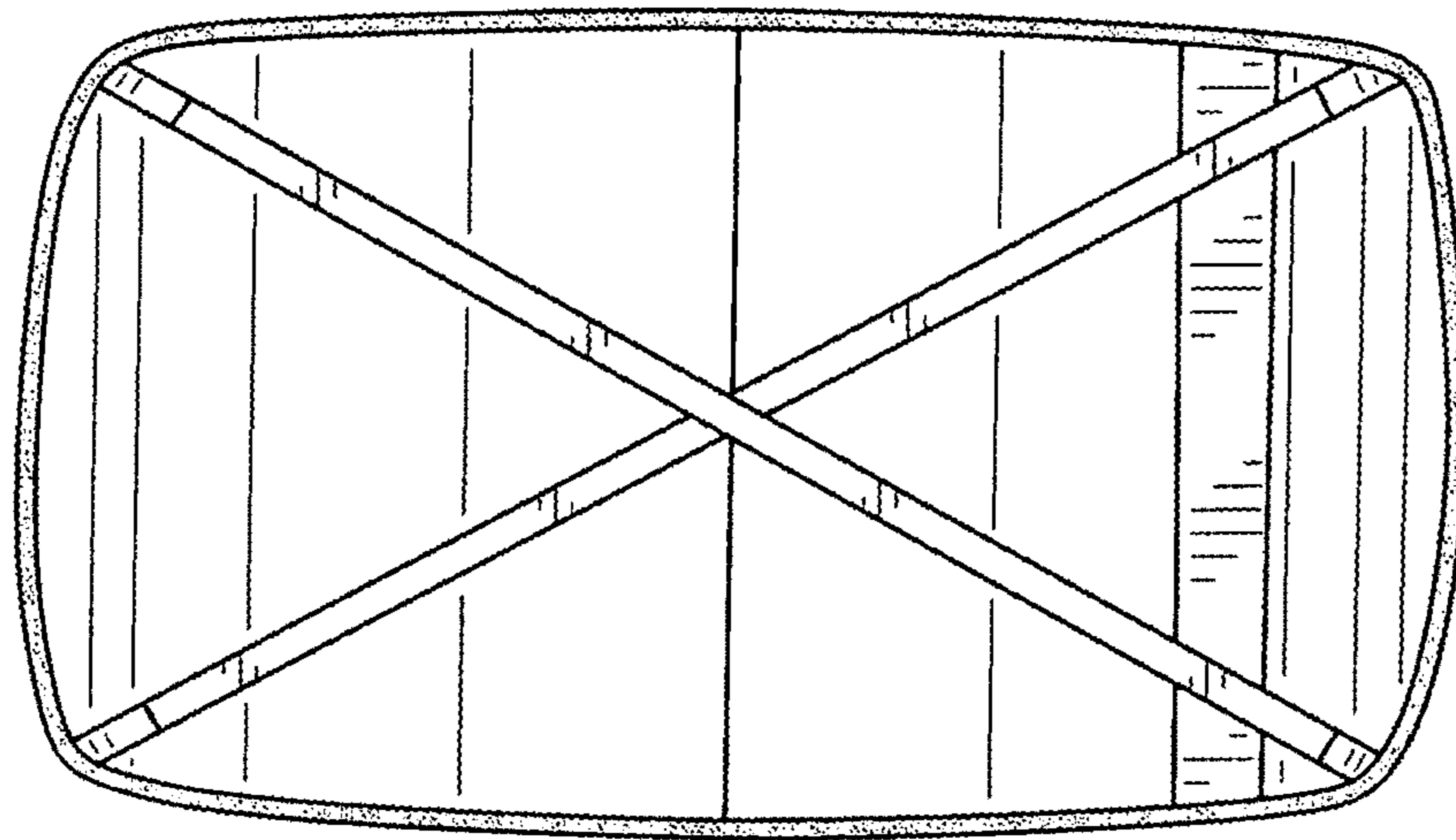


FIG. 6