



US00D850132S

(12) **United States Design Patent** (10) **Patent No.:** **US D850,132 S**
Goode et al. (45) **Date of Patent:** **** Jun. 4, 2019**

(54) **FURNITURE FOR AIRCRAFT**
(71) Applicant: **Qatar Airways Q.C.S.C.**, Doha (QA)
(72) Inventors: **Nigel Anthony Goode**, London (GB);
Benjamin Michael Rowan, London
(GB); **Christopher James Haslam**,
London (GB); **Felix Karsten Haeffner**,
London (GB); **Elizabeth Kyle Scorgie**,
Orpington (GB)

D591,520 S 5/2009 Orson et al.
D686,423 S 7/2013 Salzberger et al.
D695,033 S 12/2013 Salzberger et al.
9,067,681 B2 6/2015 Cailleteau
D741,075 S 10/2015 Lawson et al.
D741,609 S 10/2015 Williams et al.
9,169,020 B2 10/2015 Kroll et al.
9,266,614 B2 2/2016 Henshaw
D767,293 S 9/2016 Hasegawa et al.
D790,239 S 6/2017 Goode et al.
D798,622 S 10/2017 Grader et al.
D830,712 S * 10/2018 Goode D6/356
2015/0008706 A1 1/2015 Obadia et al.
2015/0336674 A1 11/2015 Foucher et al.
2016/0272323 A1 9/2016 Carlouz
2016/0297524 A1 10/2016 Simeon et al.
2016/0297530 A1 10/2016 Simeon et al.

(73) Assignee: **Qatar Airways Q.C.S.C.** (QA)
(**) Term: **15 Years**

(21) Appl. No.: **29/664,144**

(22) Filed: **Sep. 21, 2018**

Related U.S. Application Data

(62) Division of application No. 29/595,971, filed on Mar. 3, 2017.

(30) **Foreign Application Priority Data**

Sep. 7, 2016 (WO) 003368794

(51) **LOC (11) Cl.** **06-01**

(52) **U.S. Cl.**
USPC **D6/356; D6/338**

(58) **Field of Classification Search**
USPC D6/356, 335-338, 357, 360, 367, 716.4,
D6/716.1, 349; D12/400, 345, 190, 195
CPC . B64D 11/06; B64D 11/0641; B64D 11/0604;
B64D 11/0606; B64D 11/0601; B64D
11/064; B64D 11/0643

See application file for complete search history.

(56) **References Cited**

U.S. PATENT DOCUMENTS

D558,993 S 1/2008 Saint-Jalmes et al.
7,419,214 B2 9/2008 Plant

OTHER PUBLICATIONS

U.S. Appl. No. 29/595,947, filed Mar. 3, 2017 (unpublished).

* cited by examiner

Primary Examiner — Deanna L Pratt

(74) *Attorney, Agent, or Firm* — Saidman DesignLaw
Group, LLC

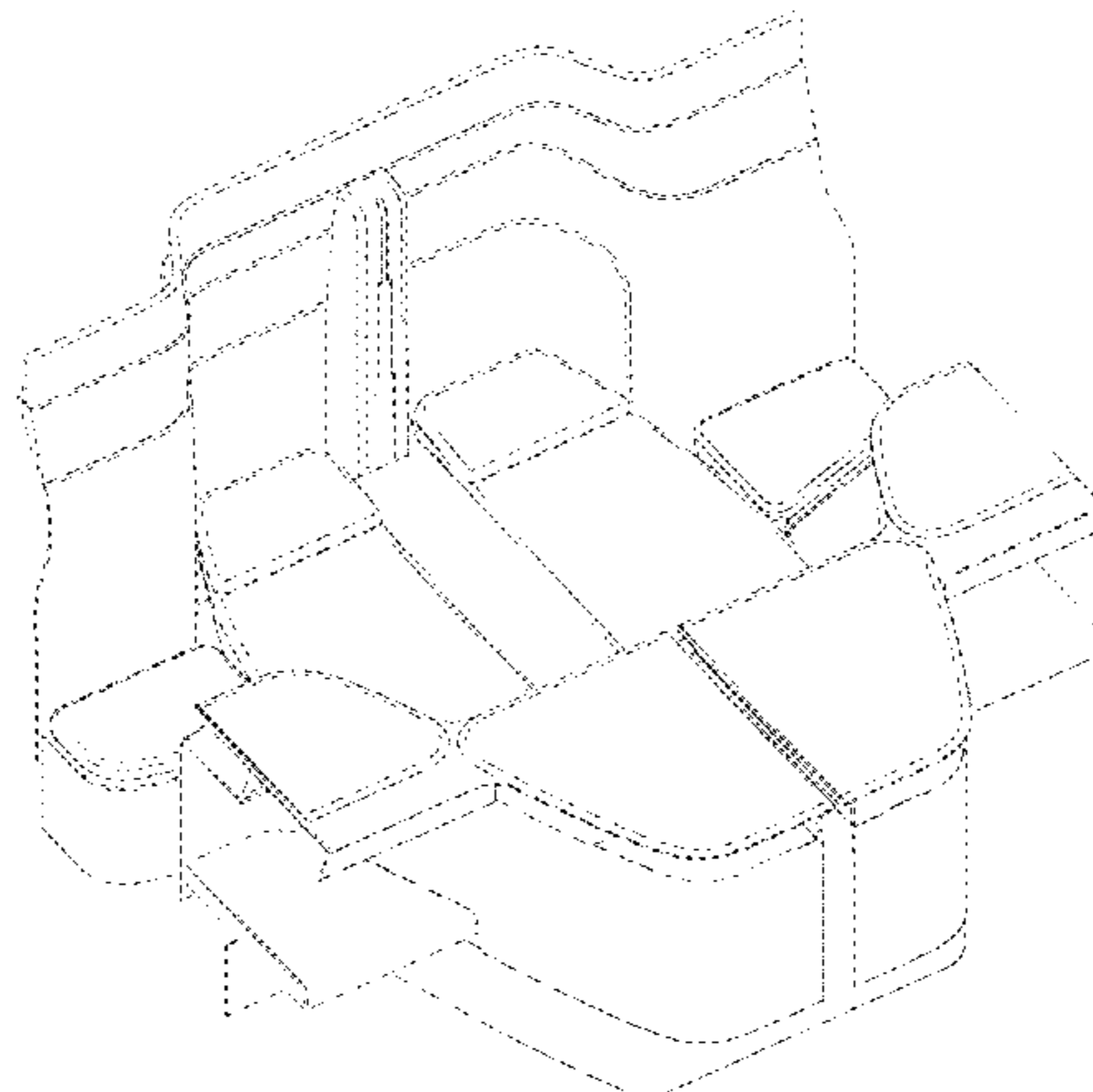
(57) **CLAIM**

The ornamental design for furniture for aircraft, as shown
and described.

DESCRIPTION

FIG. 1 is a perspective view of furniture for aircraft showing
our new design; and,
FIG. 2 is a top view thereof.
The drawings include CAD lines that represent contour and
not surface decoration.

1 Claim, 2 Drawing Sheets



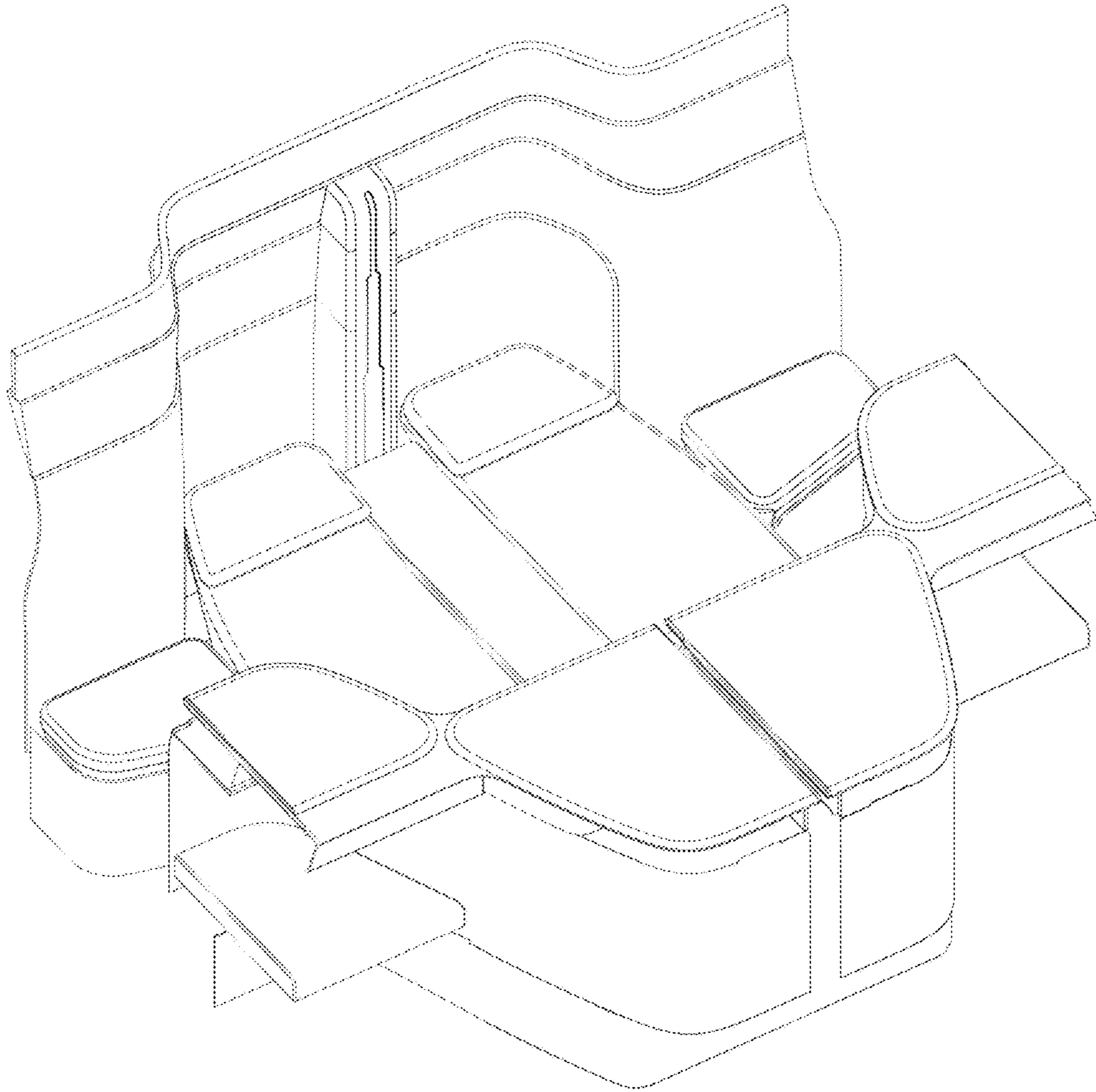


FIG. 1

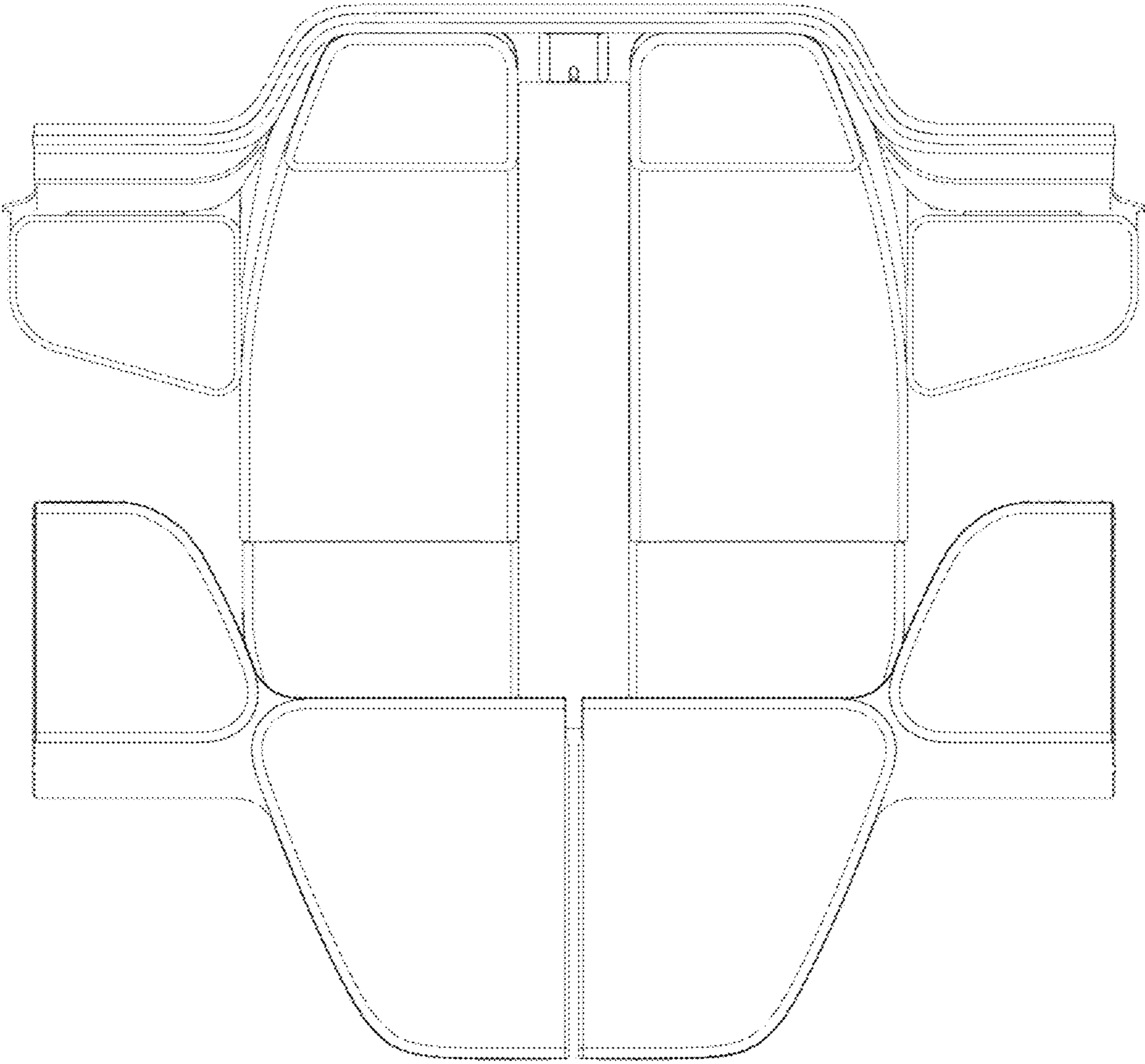


FIG. 2