



US00D850131S

(12) **United States Design Patent**
Goode et al.

(10) **Patent No.:** **US D850,131 S**
(45) **Date of Patent:** **** Jun. 4, 2019**

(54) **FURNITURE FOR AIRCRAFT**

(71) Applicant: **Qatar Airways Q.C.S.C.**, Doha (QA)

(72) Inventors: **Nigel Anthony Goode**, London (GB);
Benjamin Michael Rowan, London (GB);
Christopher James Haslam, London (GB);
Felix Karsten Haeffner, London (GB);
Elizabeth Kyle Scorgie, Orpington (GB)

(73) Assignee: **Qatar Airways Q.C.S.C.** (QA)

(**) Term: **15 Years**

(21) Appl. No.: **29/595,971**

(22) Filed: **Mar. 3, 2017**

(30) **Foreign Application Priority Data**

Sep. 7, 2016 (WO) 003368794-0001
Sep. 7, 2016 (WO) 003368794-0021

(51) **LOC (11) Cl.** **06-01**

(52) **U.S. Cl.**
USPC **D6/356; D6/338**

(58) **Field of Classification Search**
USPC D6/356, 335–338, 357, 360, 367, 716.4,
D6/716.1, 349; D12/400, 345, 190, 195
CPC . B64D 11/06; B64D 11/0641; B64D 11/0604;
B64D 11/0606; B64D 11/0601; B64D
11/064; B64D 11/0643
See application file for complete search history.

(56) **References Cited**

U.S. PATENT DOCUMENTS

D558,993 S * 1/2008 Saint-Jalmes D6/356
7,419,214 B2 * 9/2008 Plant B60N 2/34
244/118.6
D591,520 S * 5/2009 Orson D6/356
D686,423 S * 7/2013 Salzberger D6/356

D695,033 S * 12/2013 Salzberger D6/356
9,067,681 B2 * 6/2015 Cailleteau B64D 11/06
D741,075 S * 10/2015 Lawson D6/338
D741,609 S * 10/2015 Williams D6/338
9,169,020 B2 * 10/2015 Kroll B64D 11/06
9,266,614 B2 2/2016 Henshaw
D767,293 S * 9/2016 Hasegawa D6/356
D790,239 S * 6/2017 Goode D6/356
D798,622 S * 10/2017 Grader D6/356
D830,712 S * 10/2018 Goode D6/356
2015/0008706 A1 * 1/2015 Obadia B64D 11/06
297/188.08
2015/0336674 A1 * 11/2015 Foucher B64D 11/06
244/118.6
2016/0272323 A1 * 9/2016 Carlioz B64D 11/0646
2016/0297524 A1 * 10/2016 Simeon B64D 11/0601
2016/0297530 A1 * 10/2016 Simeon B61D 1/04

OTHER PUBLICATIONS

U.S. Appl. No. 29/595,947, filed Mar. 3, 2017 (unpublished).

* cited by examiner

Primary Examiner — Deanna L Pratt
(74) *Attorney, Agent, or Firm* — Saidman DesignLaw Group, LLC

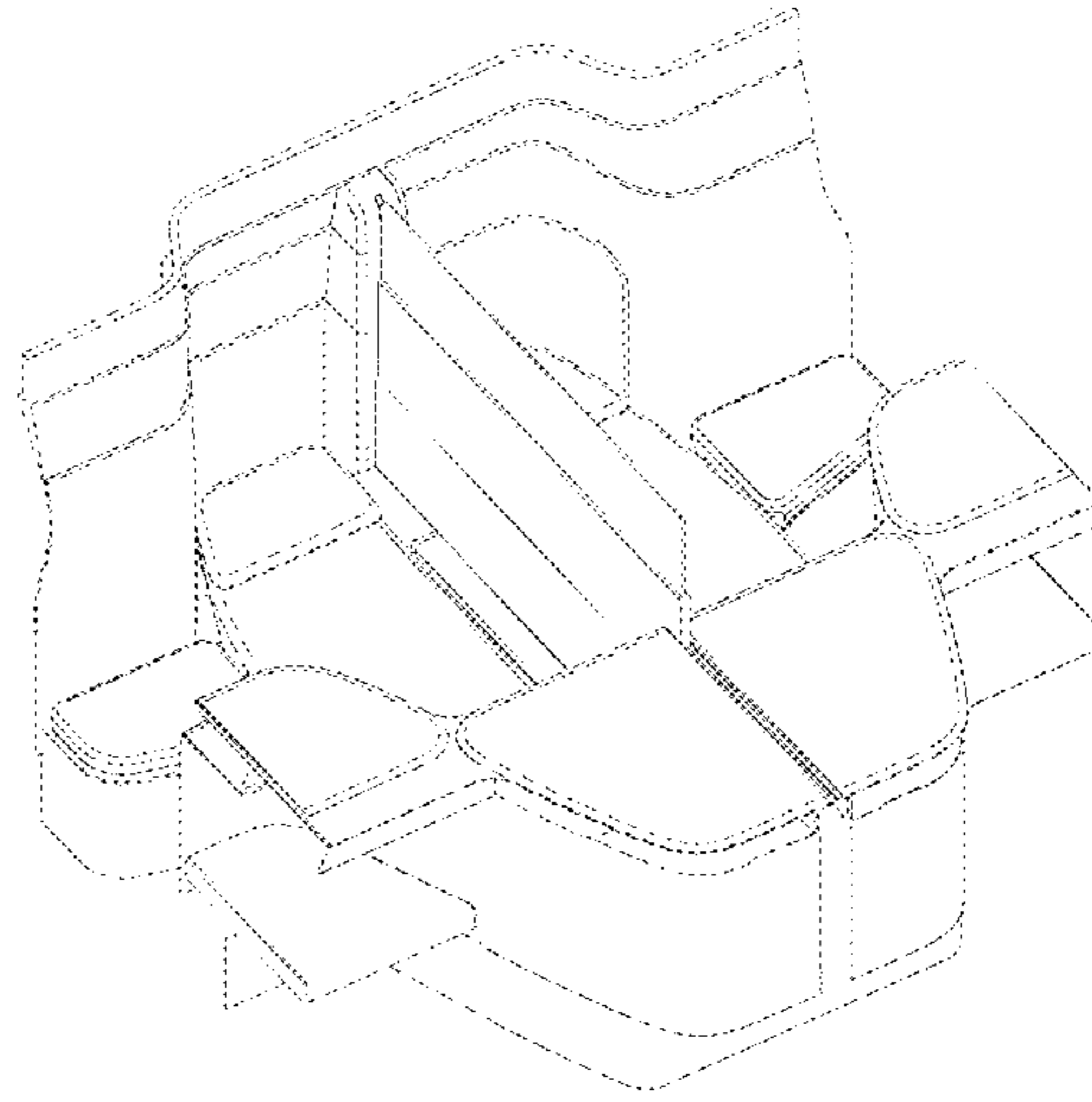
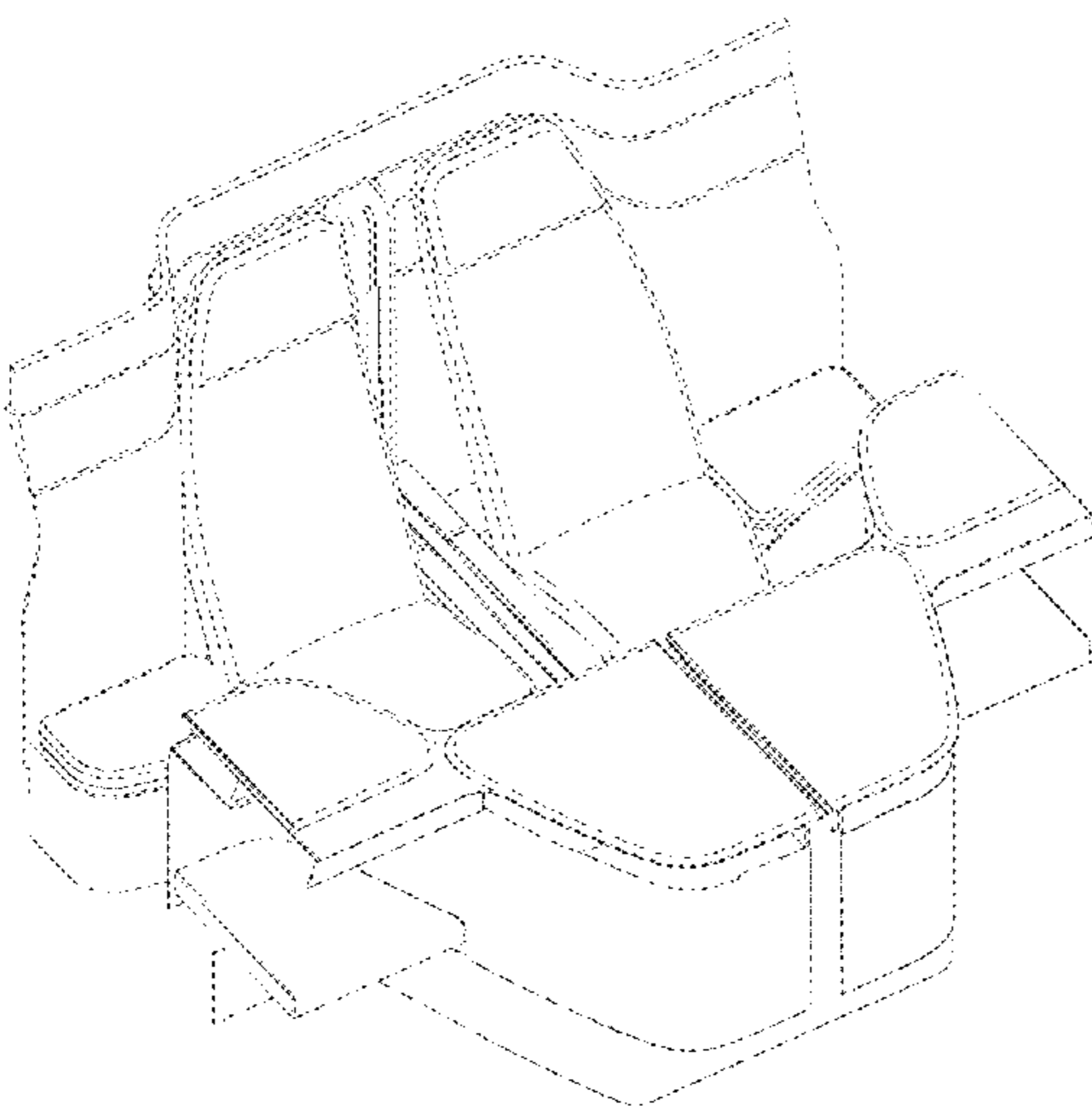
(57) **CLAIM**

The ornamental design for furniture for aircraft, as shown and described.

DESCRIPTION

FIG. 1 is a perspective view of a first embodiment of furniture for aircraft showing our new design; FIG. 2 shows a first alternate position thereof; FIG. 3 is a top view of FIGS. 1 and 2; FIG. 4 shows a second alternate position thereof; FIG. 5 shows a third alternate position thereof; and, FIG. 6 is a top view of FIGS. 4 and 5. The drawings include CAD lines that represent contour and not surface decoration.

1 Claim, 6 Drawing Sheets



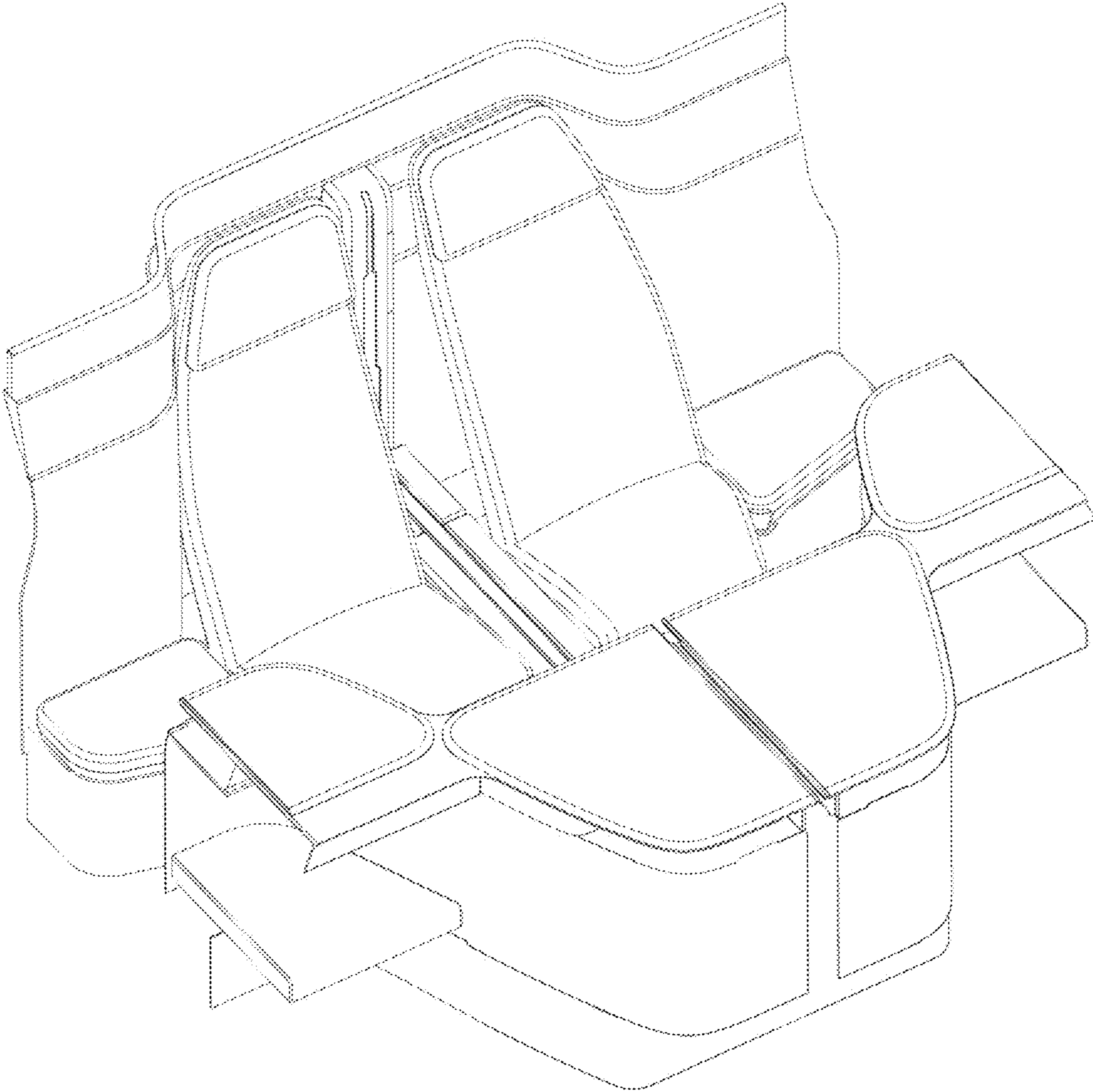


FIG. 1

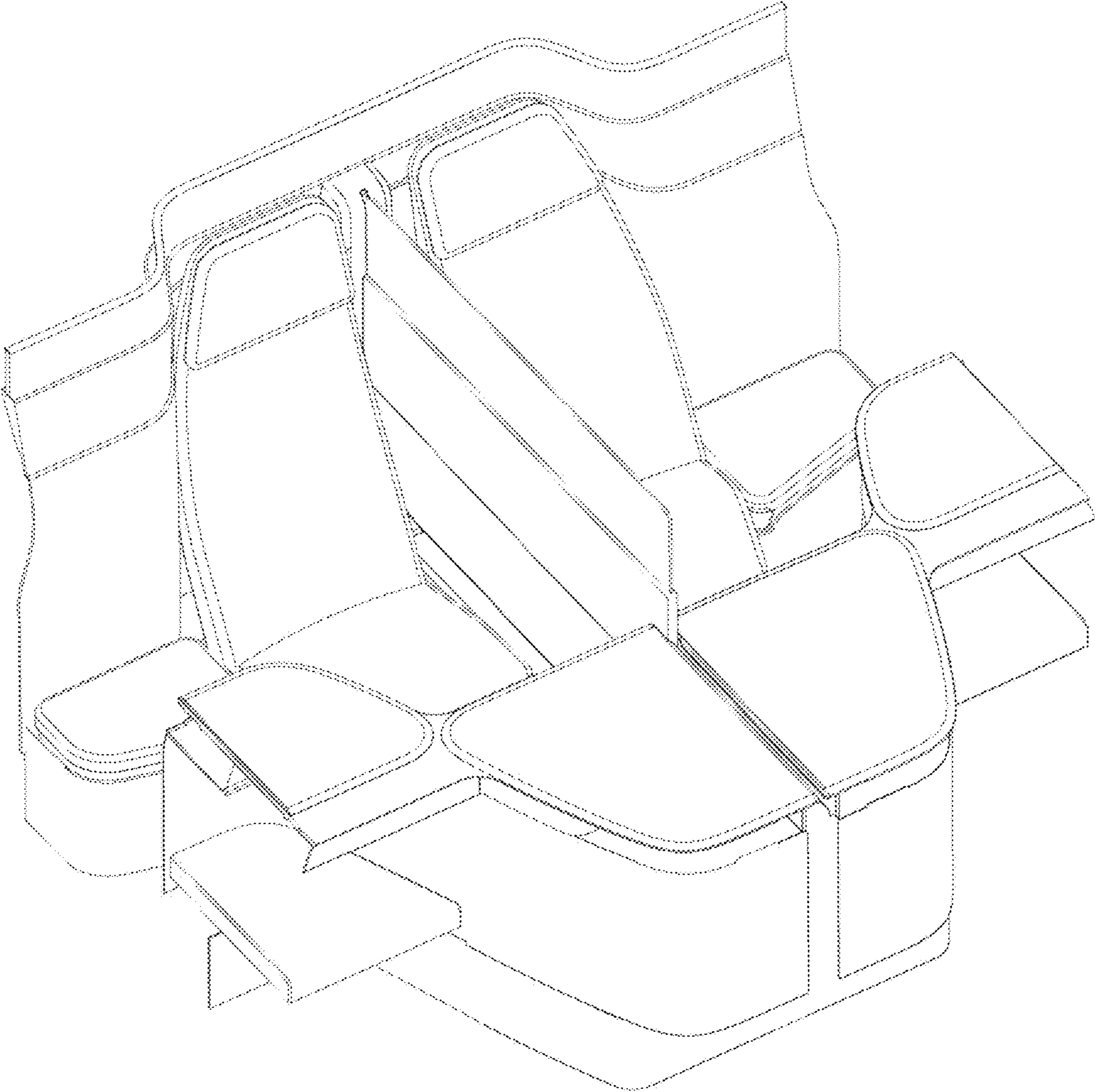


FIG. 2

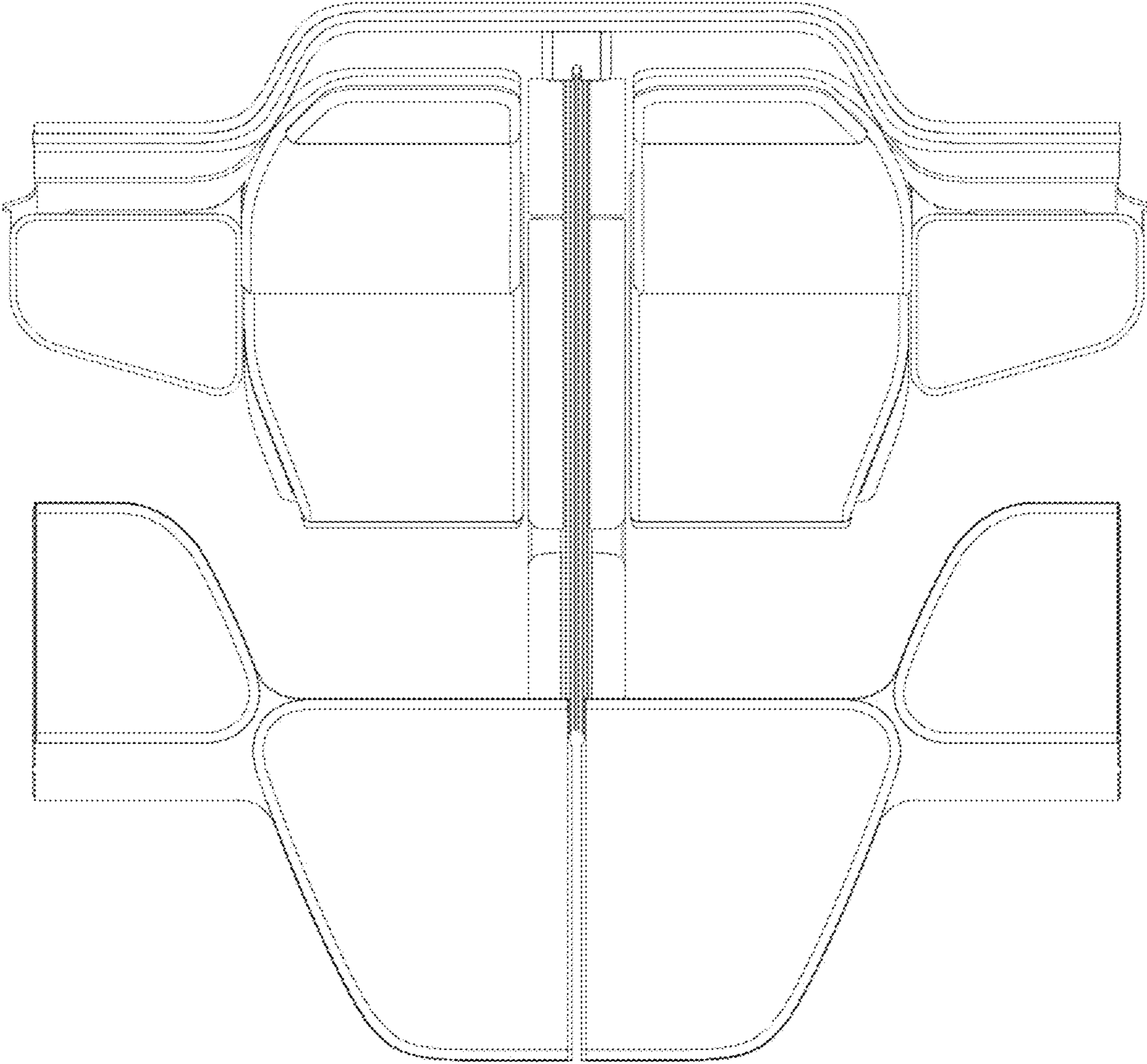


FIG. 3

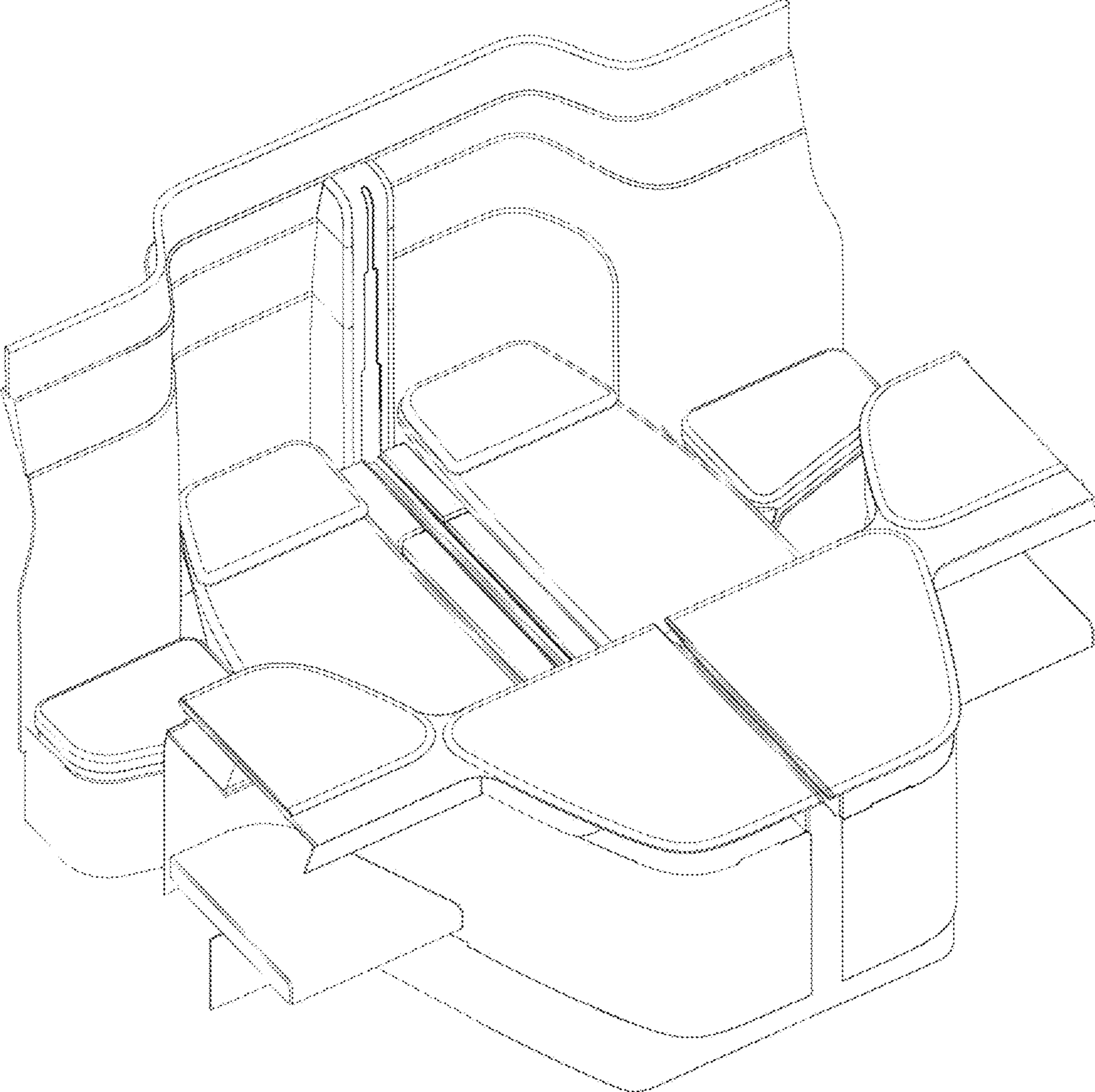


FIG. 4

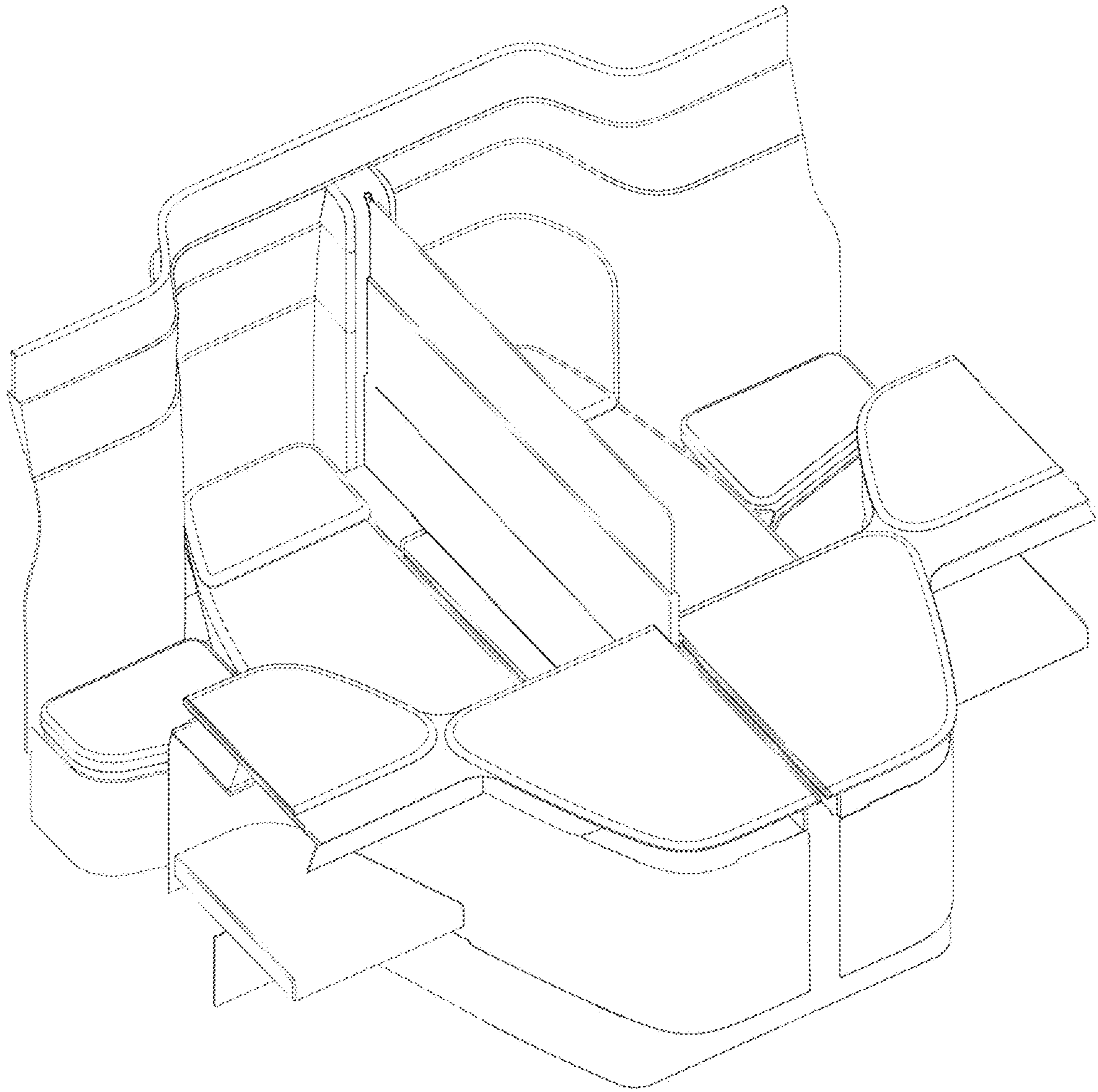


FIG. 5

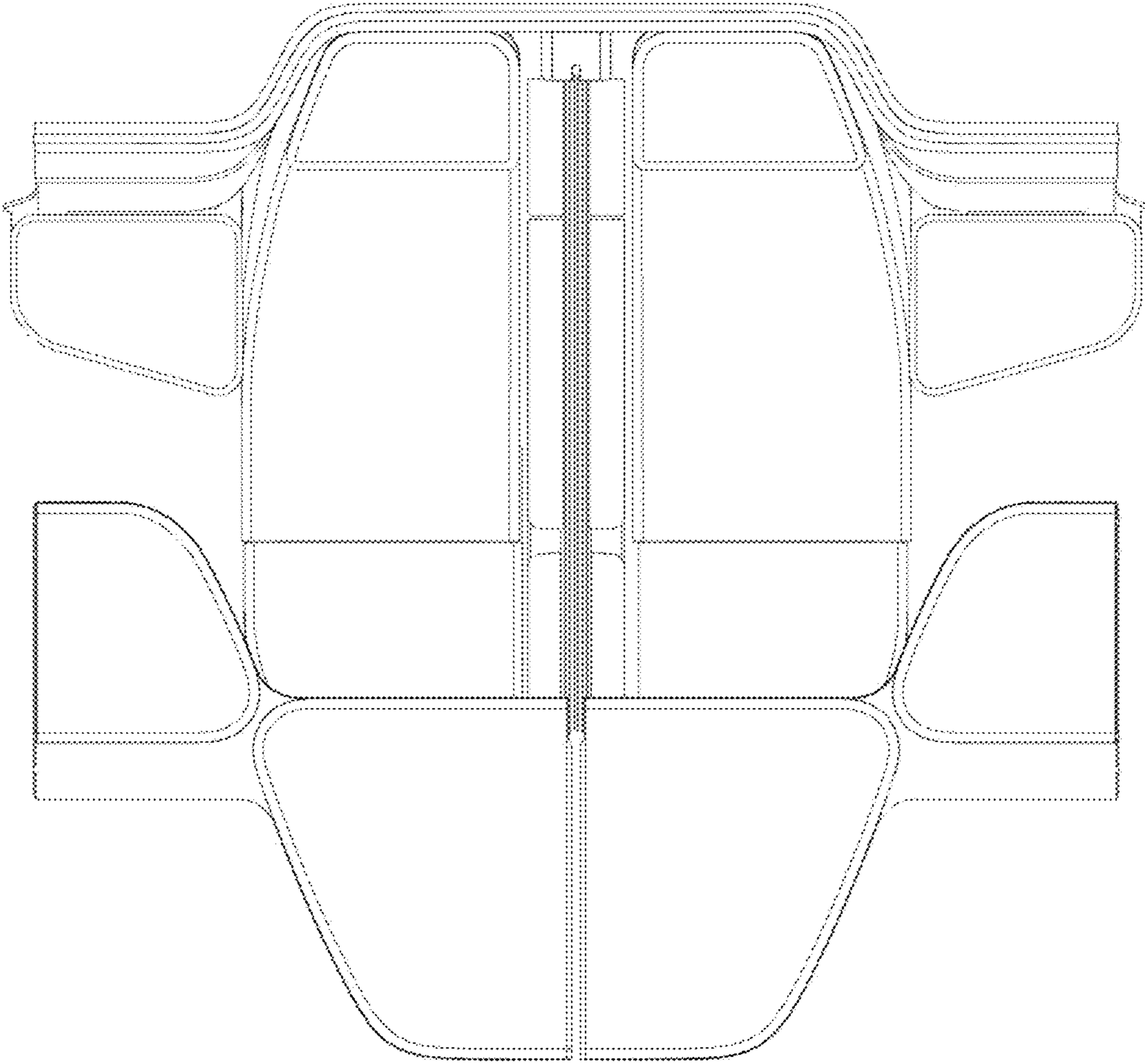


FIG. 6