



US00D850130S

(12) **United States Design Patent** (10) **Patent No.:** **US D850,130 S**  
**Webb** (45) **Date of Patent:** **\*\* Jun. 4, 2019**

(54) **FURNITURE MODULE**

(56) **References Cited**

(71) Applicant: **Roger Webb Associates Ltd**, London (GB)

U.S. PATENT DOCUMENTS

(72) Inventor: **Roger Webb**, London (GB)

D148,242 S \* 12/1947 Horsewood ..... D6/336  
D286,956 S \* 12/1986 Lockwood ..... D25/16

(73) Assignee: **Roger Webb Associates Ltd**, London (GB)

(Continued)

*Primary Examiner* — Sandra S Snapp

(\*\*) Term: **15 Years**

(74) *Attorney, Agent, or Firm* — Abelman, Frayne & Schwab

(21) Appl. No.: **29/572,360**

(57) **CLAIM**

(22) Filed: **Jul. 27, 2016**

The ornamental design for furniture module, as shown and described.

**Related U.S. Application Data**

**DESCRIPTION**

(62) Division of application No. 29/475,303, filed on Dec. 2, 2013, now Pat. No. Des. 764,826.

FIG. 1 is a front elevation view of a first embodiment of a furniture module, according to the present invention;

(30) **Foreign Application Priority Data**

May 31, 2013 (EM) ..... 001372817-0001  
May 31, 2013 (EM) ..... 001372817-0002  
May 31, 2013 (EM) ..... 001372817-0003  
May 31, 2013 (EM) ..... 001372817-0004  
May 31, 2013 (EM) ..... 001372817-0005  
May 31, 2013 (EM) ..... 001372817-0006  
May 31, 2013 (EM) ..... 001372817-0007  
May 31, 2013 (EM) ..... 001372817-0008

FIG. 2 is a left side elevation view thereof,

FIG. 3 is a rear elevation view thereof,

FIG. 4 is a top plan view thereof,

FIG. 5 is a top, front, and right side perspective view thereof,

FIG. 6 is a top, rear, and left side perspective view thereof,

FIG. 7 is a front elevation view of a second embodiment of the furniture module, according to the present invention;

FIG. 8 is a left side elevation view thereof,

FIG. 9 is a rear elevation view thereof,

FIG. 10 is a top plan view thereof,

FIG. 11 is a top, front, and right side perspective view thereof; and,

FIG. 12 is a top, rear, and left side perspective view thereof.

In all the above figures the bottom view is not shown and is not claimed.

The broken line showing of the furniture module is for the purpose of illustrating portions of the article and forms no part of the claimed design.

(Continued)

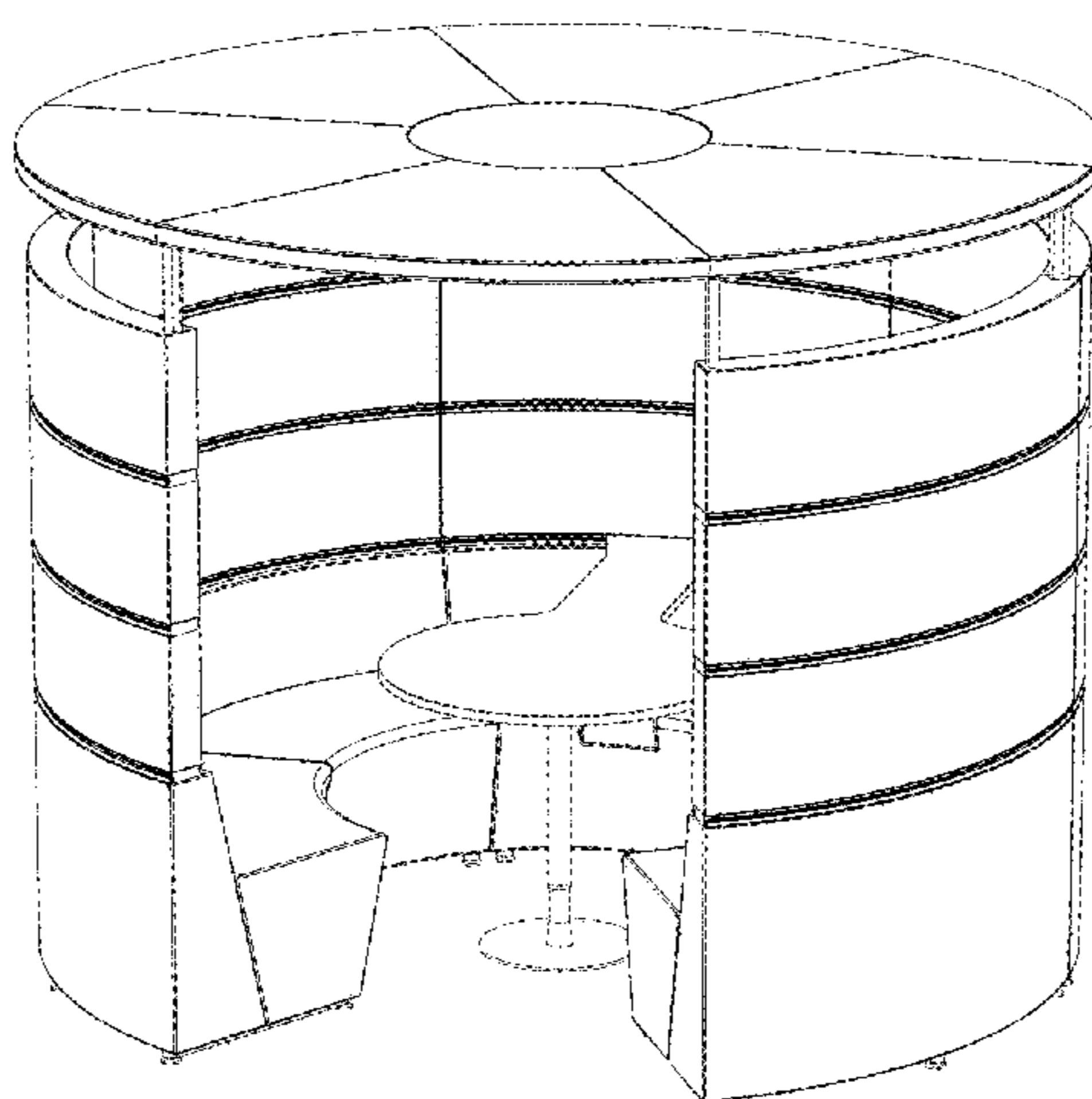
(51) **LOC (11) Cl.** ..... **06-01**

(52) **U.S. Cl.**  
USPC ..... **D6/338; D6/643**

(58) **Field of Classification Search**  
USPC ..... D6/334-338, 349, 355, 361, 368-370,  
D6/376, 379-381, 716, 716.1, 716.2, 340,

(Continued)

**1 Claim, 12 Drawing Sheets**



(30) Foreign Application Priority Data

May 31, 2013 (EM) ..... 001372817-0009  
May 31, 2013 (EM) ..... 001372817-0010  
May 31, 2013 (EM) ..... 001372817-0011  
May 31, 2013 (EM) ..... 001372817-0012

(58) Field of Classification Search

USPC ..... D6/354, 377, 709, 710, 716.4, 367;  
297/16.1, 42, 94, 135, 175, 232, 233,  
297/350, 351, 445.1, 448.1, 448.2, 451.9,  
297/452.1, DIG. 7; 5/12.1, 12.2  
CPC .. A47C 1/02; A47C 1/024; A47C 7/18; A47C  
7/24; A47C 17/00; A47C 17/02; A47C  
17/175

See application file for complete search history.

(56) References Cited

U.S. PATENT DOCUMENTS

D469,968 S \* 2/2003 Van Den Reek ..... D6/370  
D538,060 S \* 3/2007 Golino ..... D6/643  
D540,565 S \* 4/2007 Nakamura ..... D6/643  
D677,477 S \* 3/2013 Agati ..... D6/336  
D761,576 S \* 7/2016 Agati ..... D6/338  
D764,826 S \* 8/2016 Webb ..... D6/381  
D767,908 S \* 10/2016 Berry ..... D6/336  
D774,321 S \* 12/2016 Webb ..... D6/381  
D792,130 S \* 7/2017 Poranen ..... D6/643  
2007/0261315 A1 \* 11/2007 Ludwig ..... E04B 2/7416  
52/28  
2007/0271856 A1 \* 11/2007 Ludwig ..... A47B 83/00  
52/36.1

\* cited by examiner

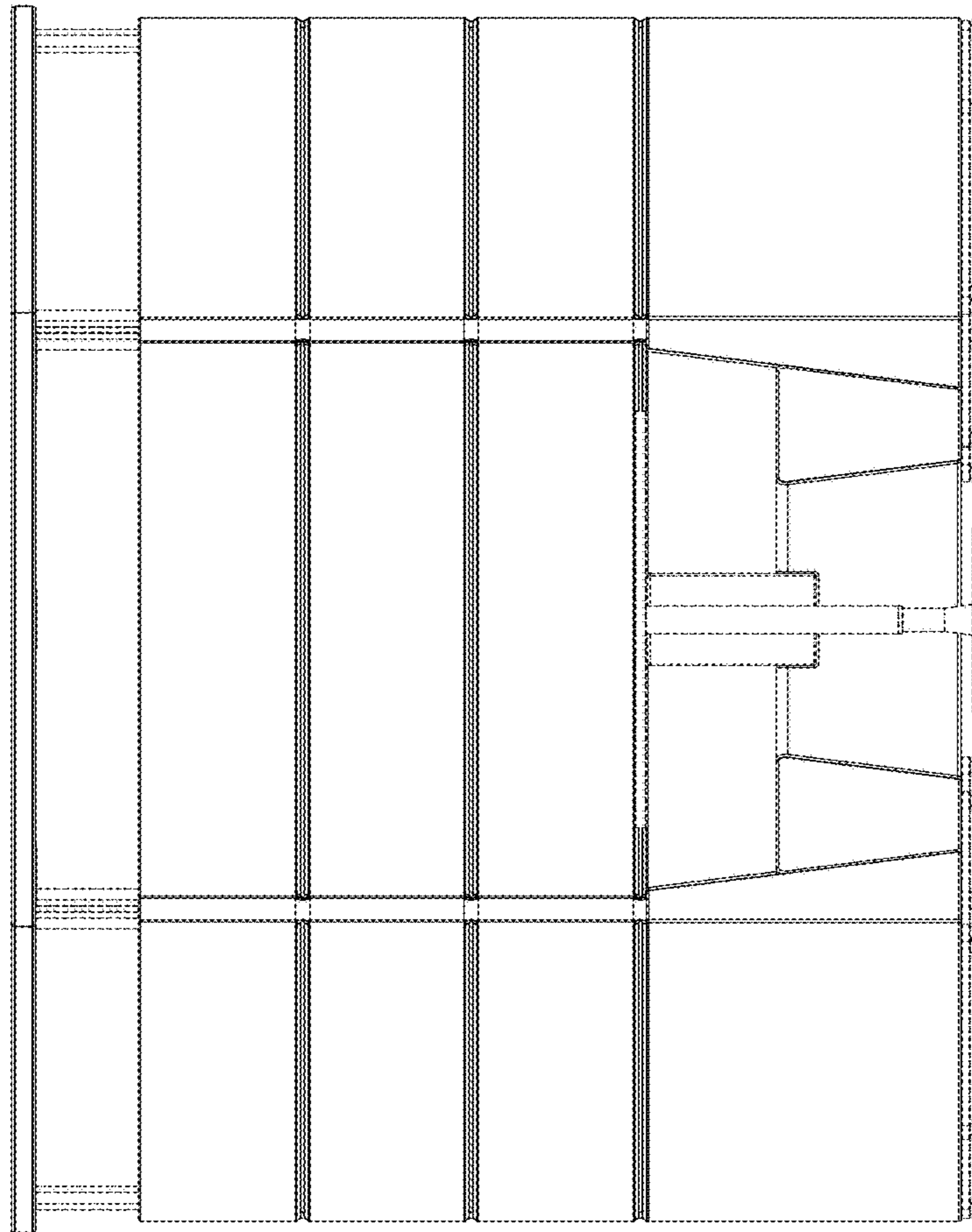


FIG. 1

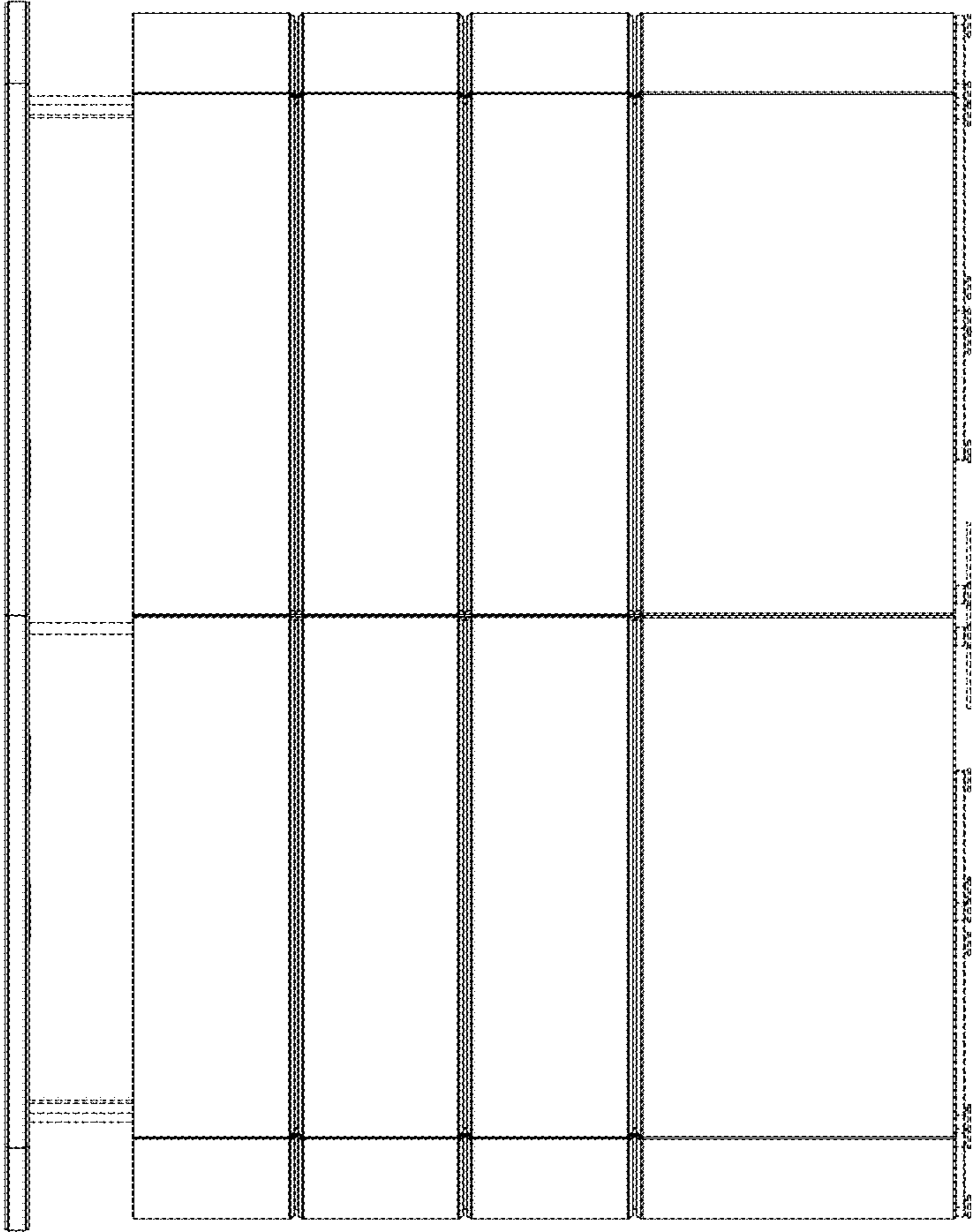


FIG.2

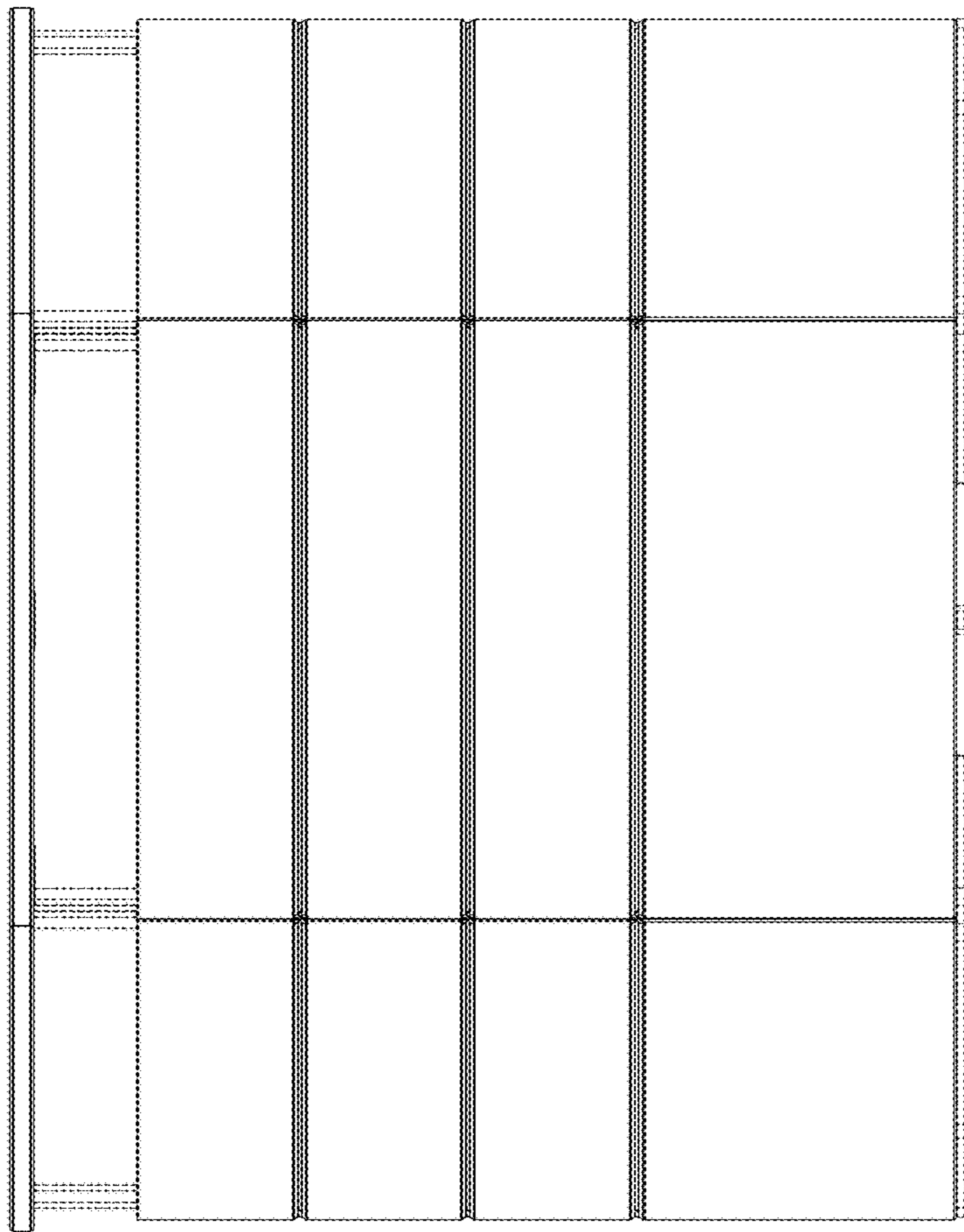


FIG.3



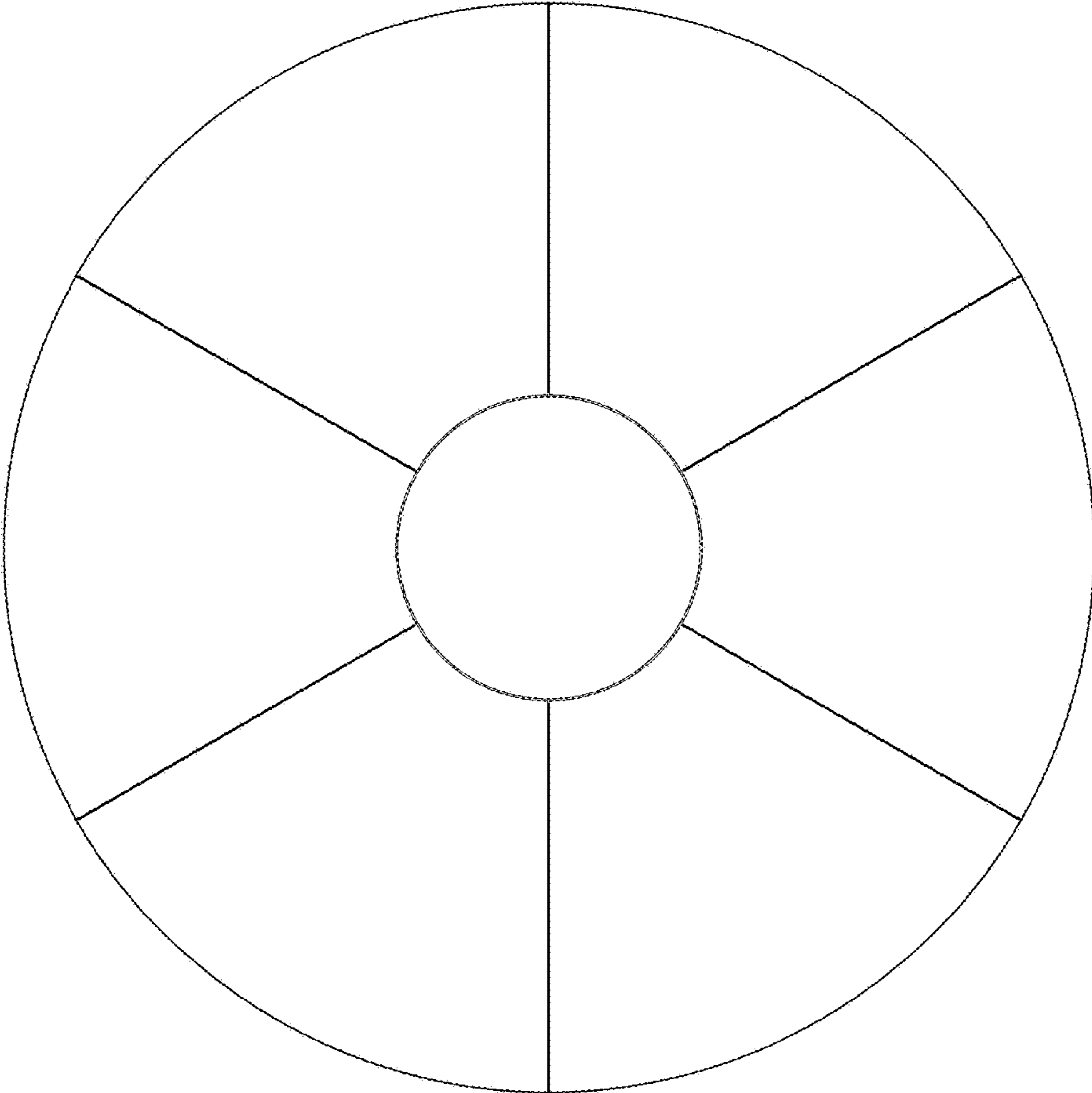


FIG.4

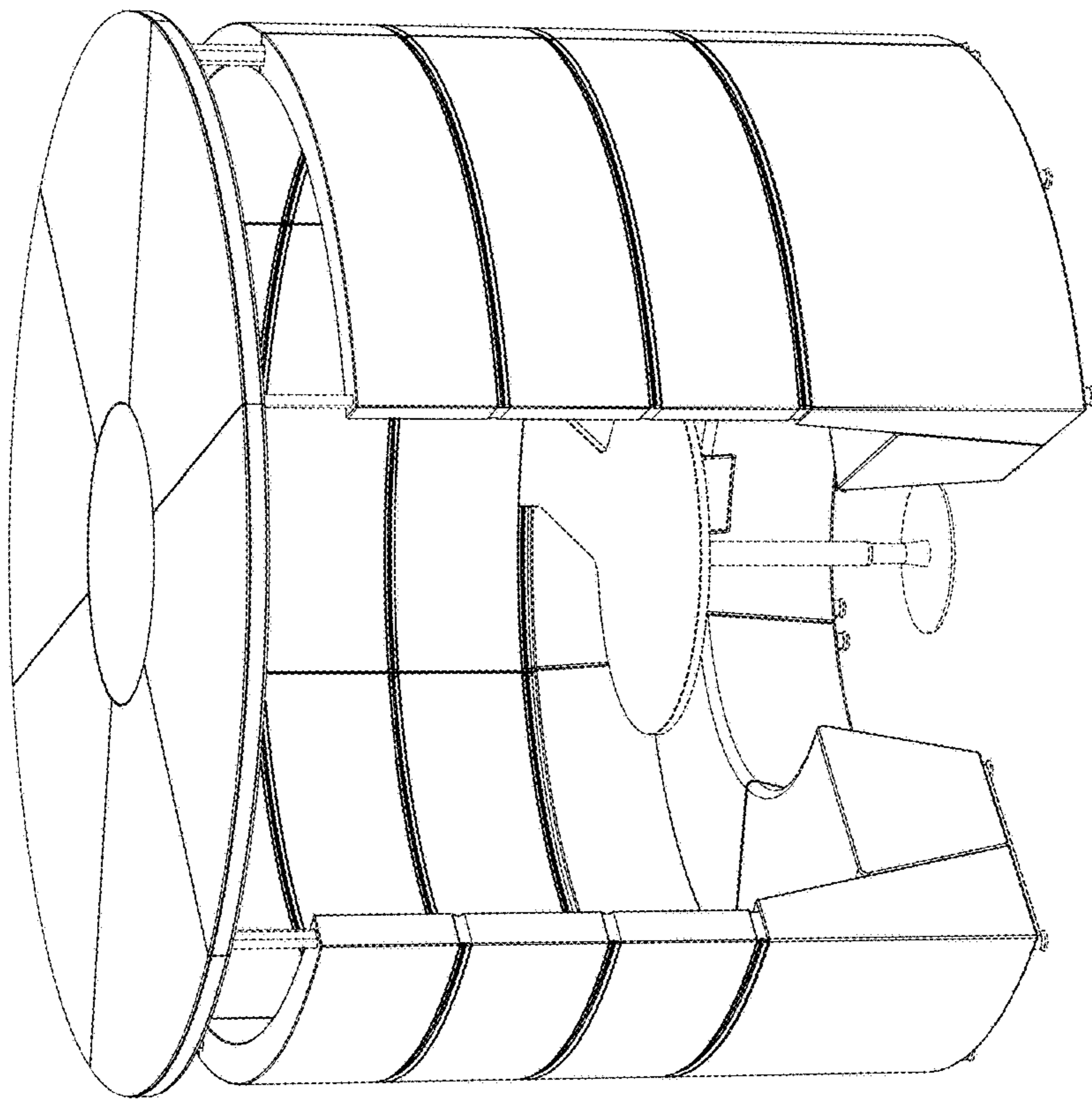


FIG. 5

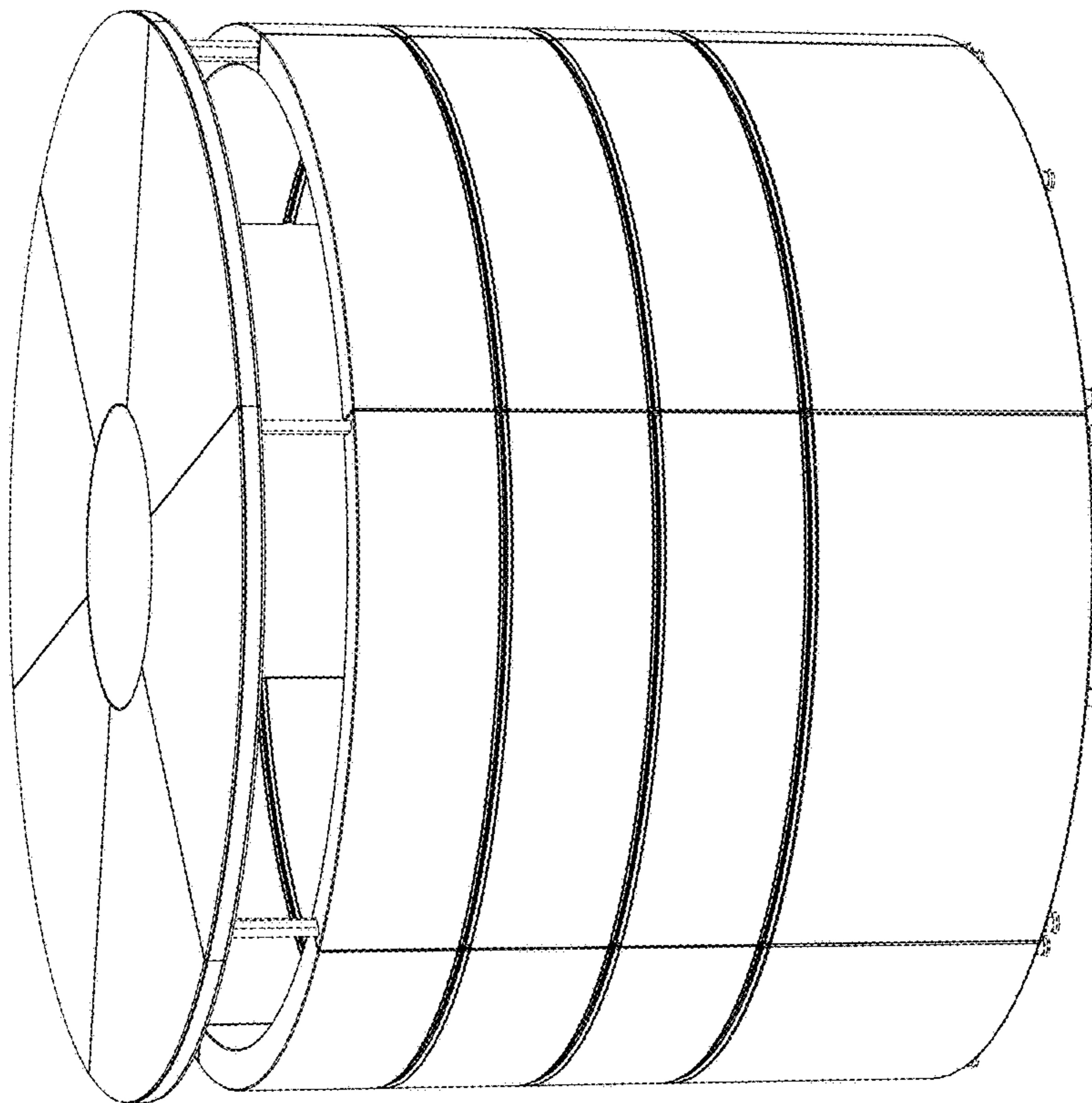


FIG.6



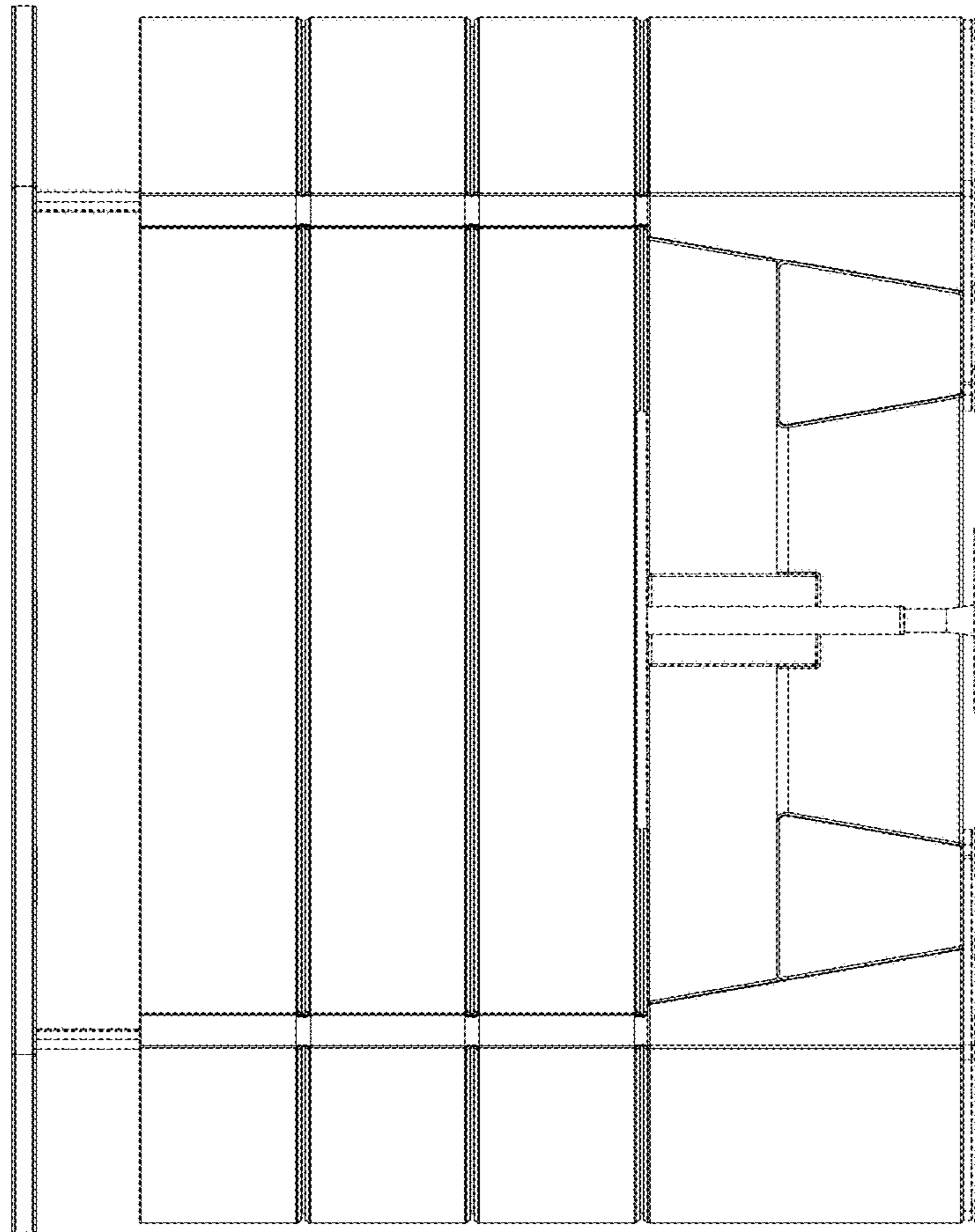


FIG. 7

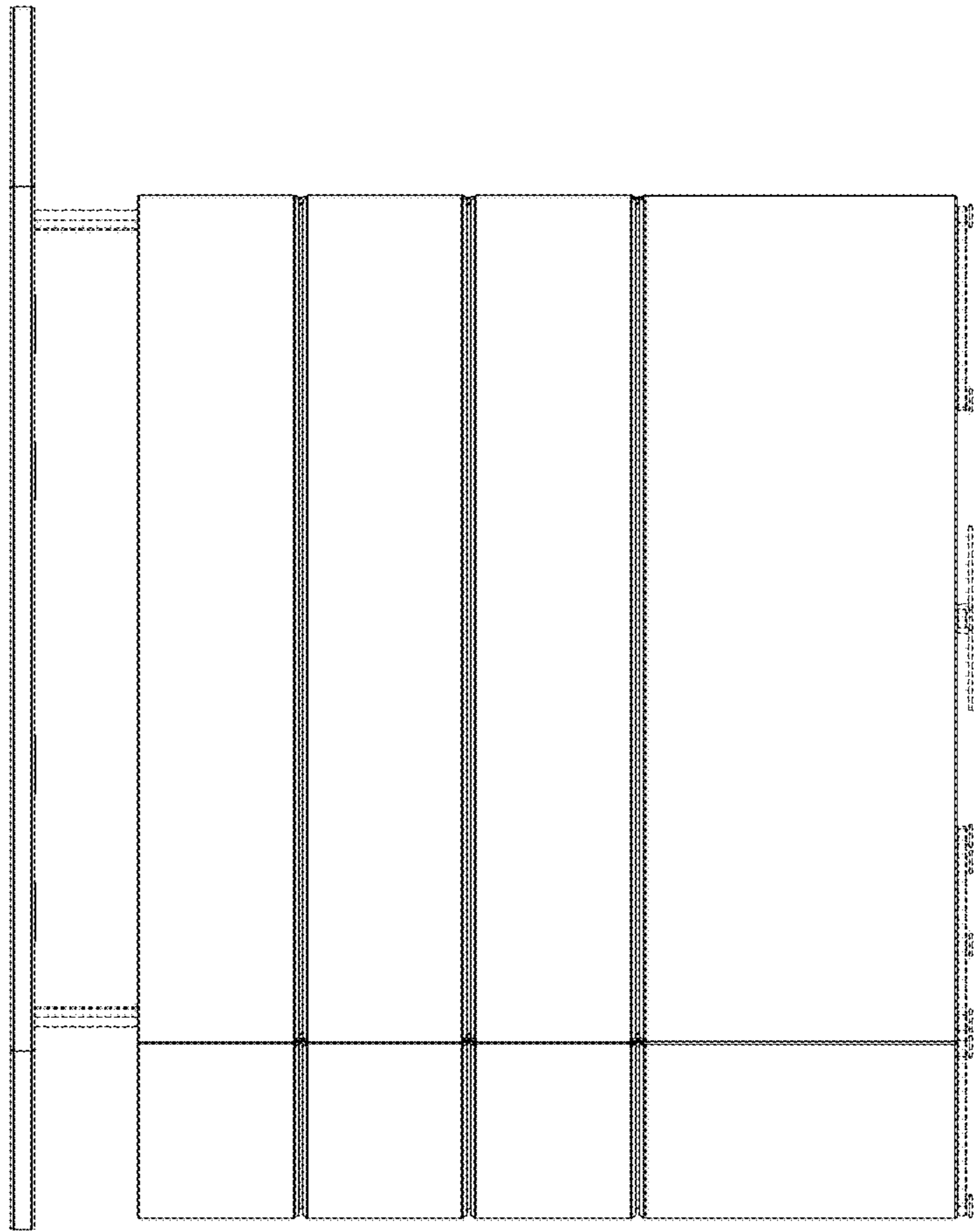


FIG. 8

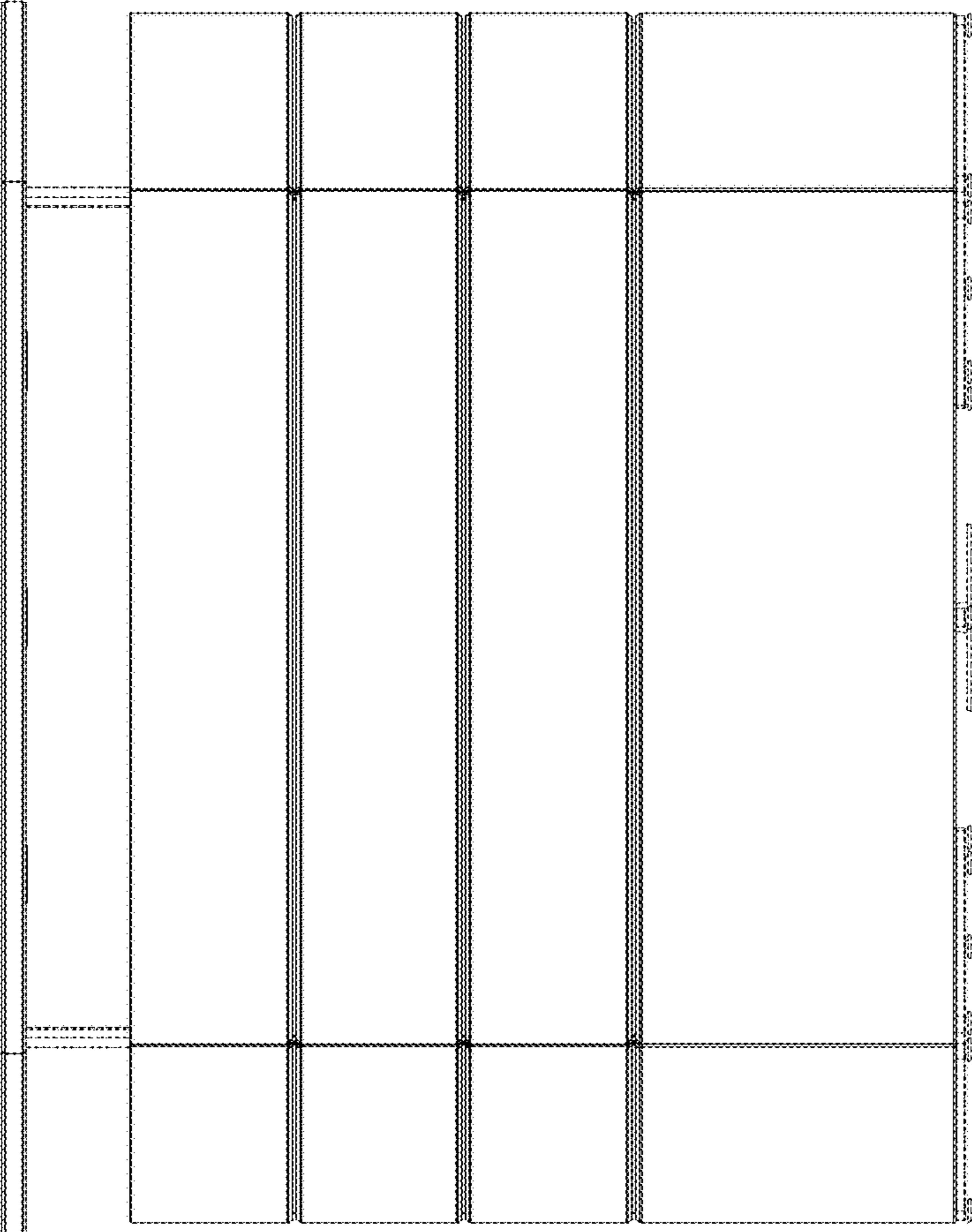


FIG. 9

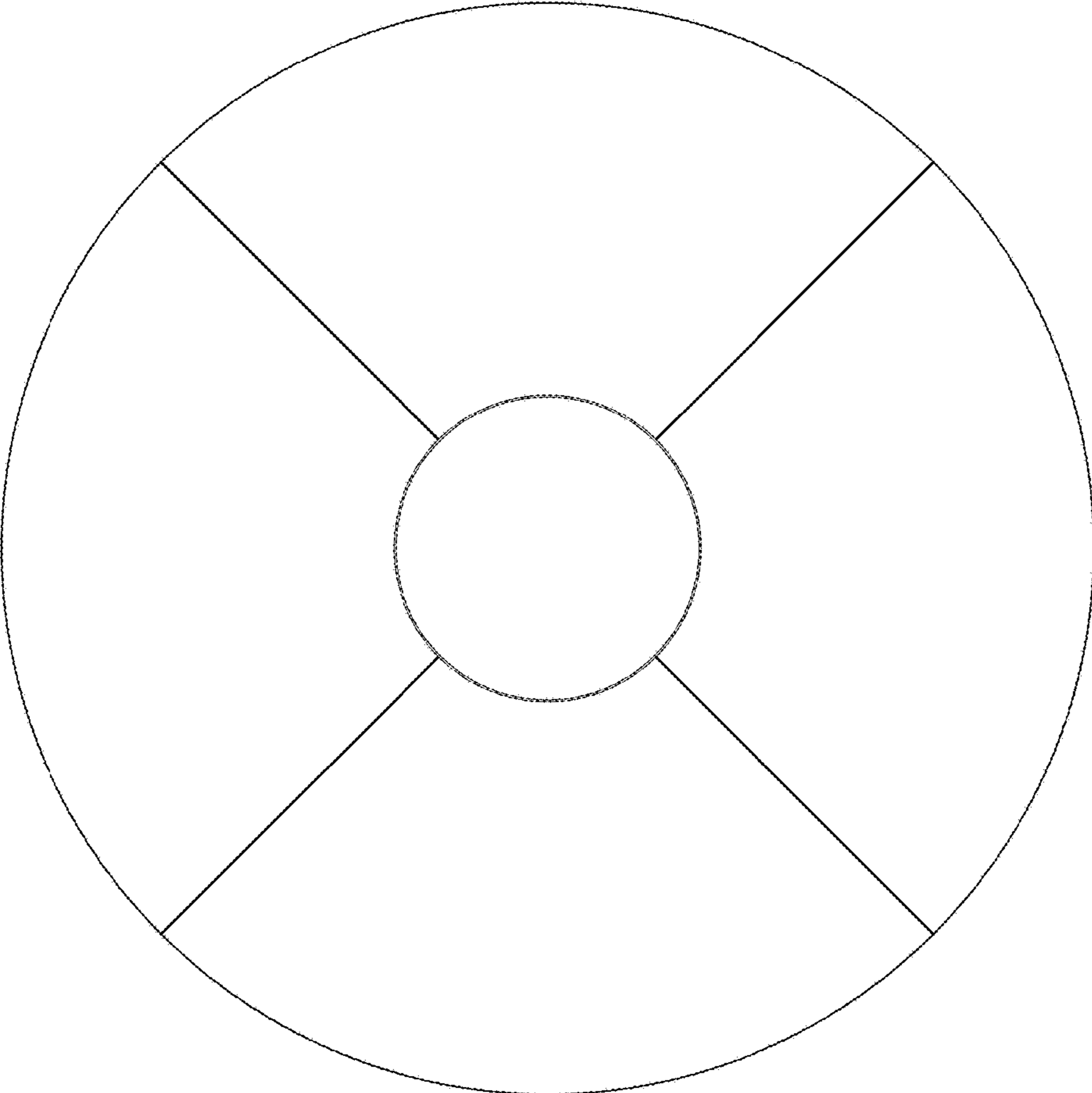


FIG. 10

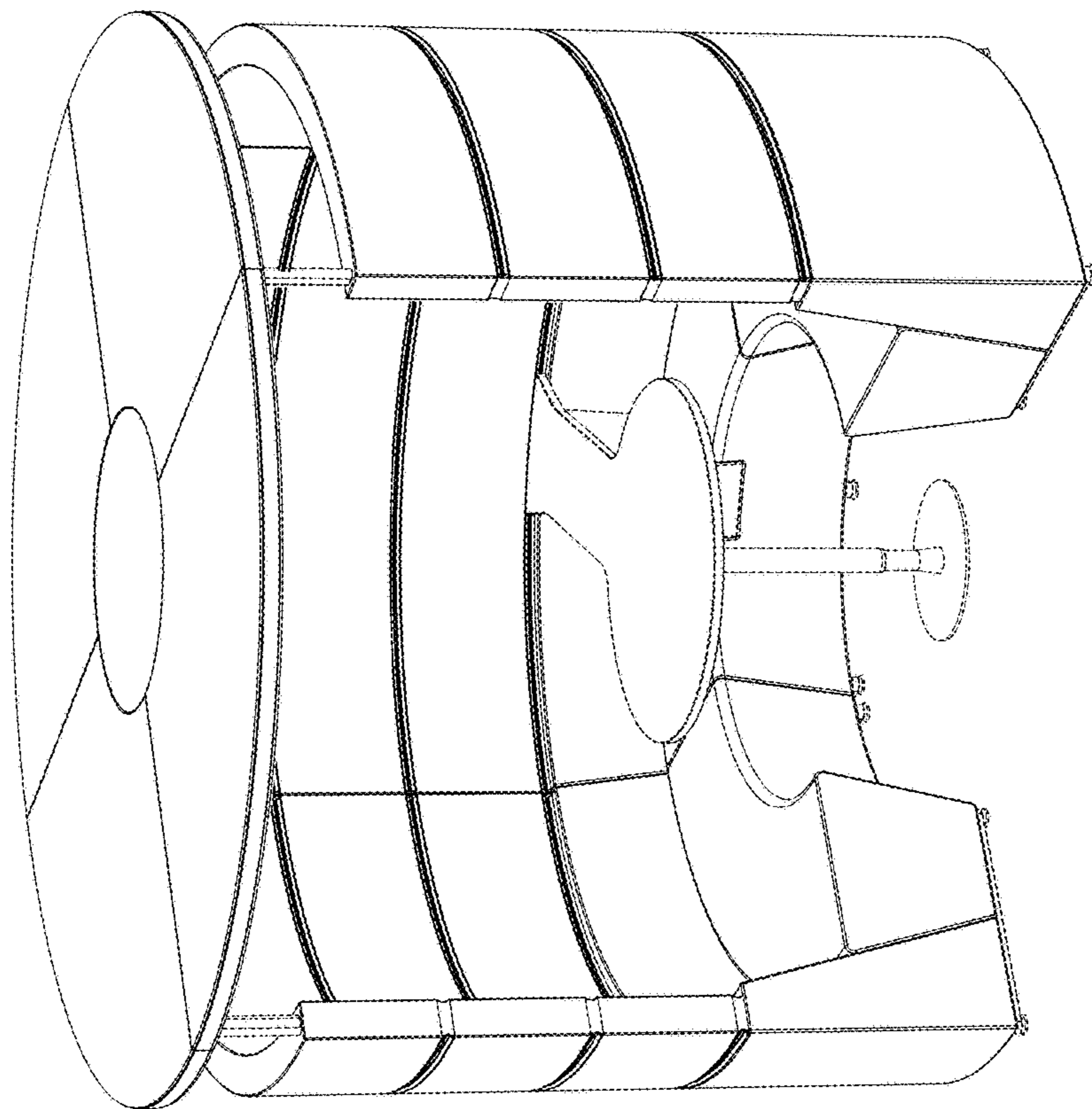


FIG. 11

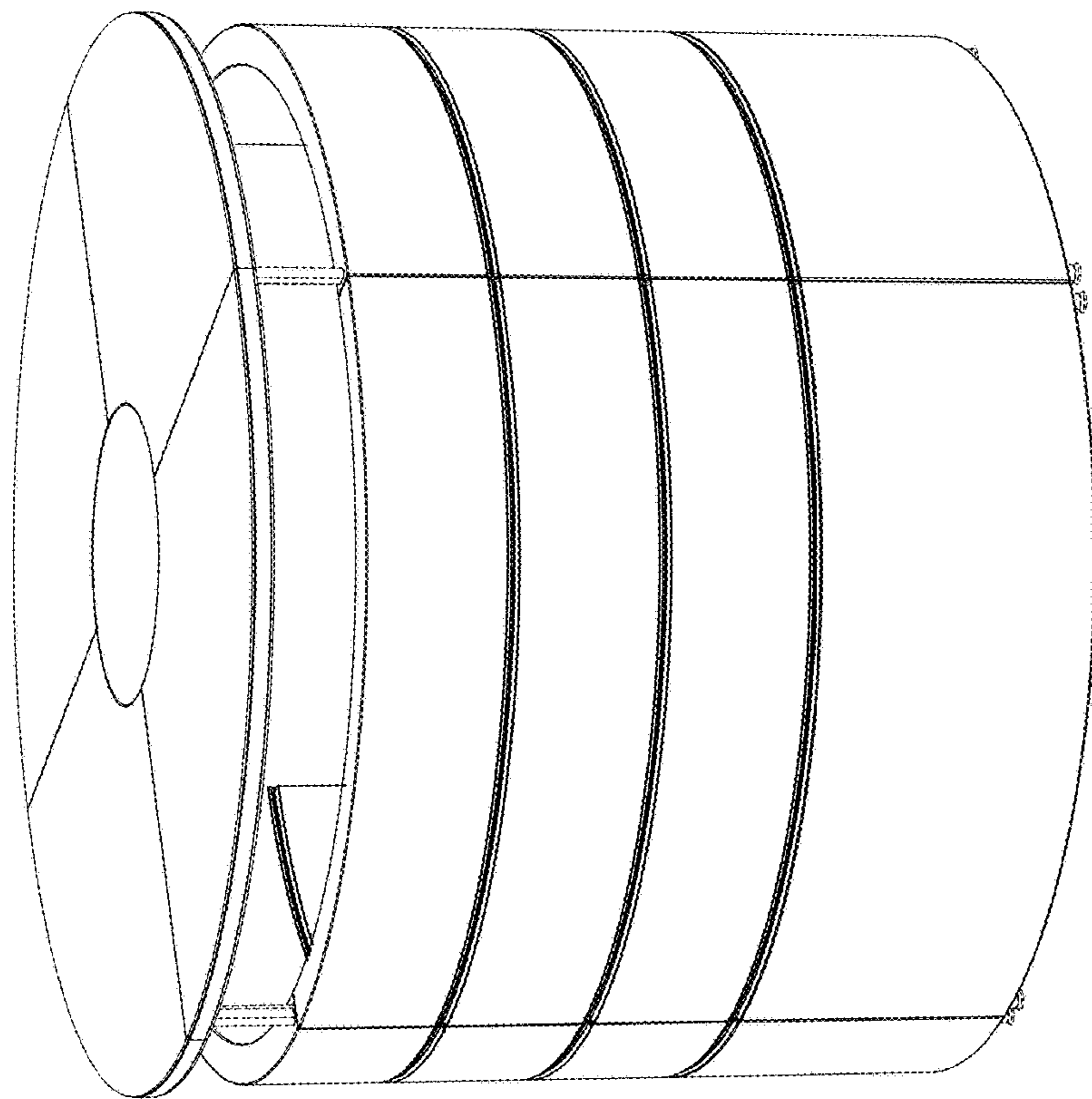


FIG. 12