

US00D850122S

(12) **United States Design Patent** (10) **Patent No.:** **US D850,122 S**
Kauffman et al. (45) **Date of Patent:** **** Jun. 4, 2019**

(54) **BRUSH HANDLE**

(71) Applicant: **FC Brands Limited**, Central Hong Kong (HK)

(72) Inventors: **Heather Tomasetti Kauffman**, Larchmont, NY (US); **Pieter Schouten**, Berkeley, CA (US); **David Dennys Chitayat**, Shanghai (CN)

(73) Assignee: **FC Brands Limited**, Central Hong Kong (HK)

(**) Term: **15 Years**

(21) Appl. No.: **29/636,648**

(22) Filed: **Feb. 9, 2018**

(51) **LOC (11) Cl.** **04-01**

(52) **U.S. Cl.**
USPC **D4/138**

(58) **Field of Classification Search**
USPC D4/114, 115, 116, 117, 118, 121, 122, D4/123, 124, 125, 127, 128, 129, 130,
(Continued)

(56) **References Cited**

U.S. PATENT DOCUMENTS

D153,783 S * 5/1949 George D20/8
D180,018 S * 4/1957 Greiner 294/49
(Continued)

Primary Examiner — Karen E Eldridge Powers

(74) *Attorney, Agent, or Firm* — Pierce Atwood LLP

(57) **CLAIM**

The ornamental design for a brush handle, as shown and described.

DESCRIPTION

FIG. 1 is a top perspective view of a first embodiment of a brush handle showing the design;

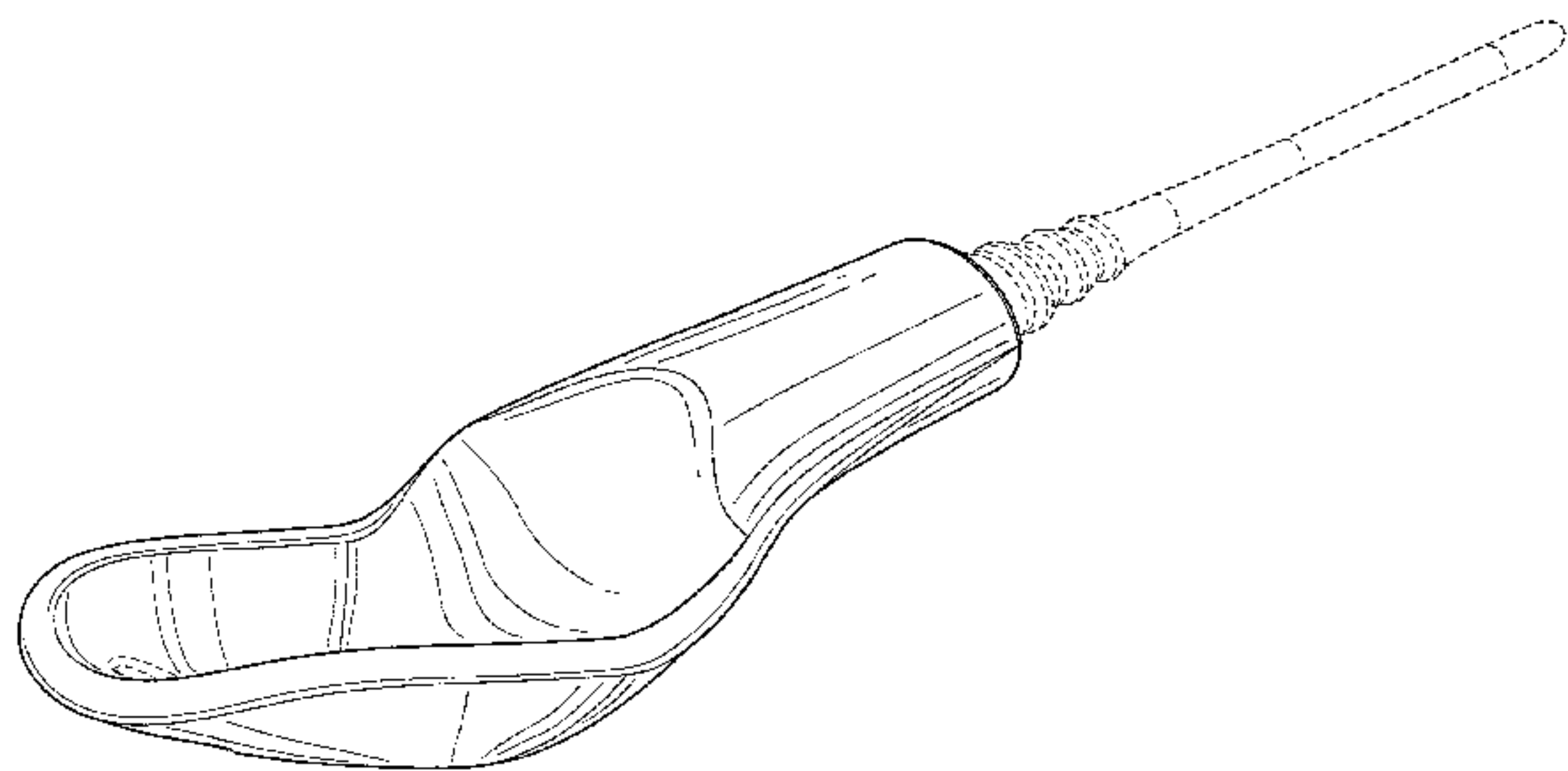
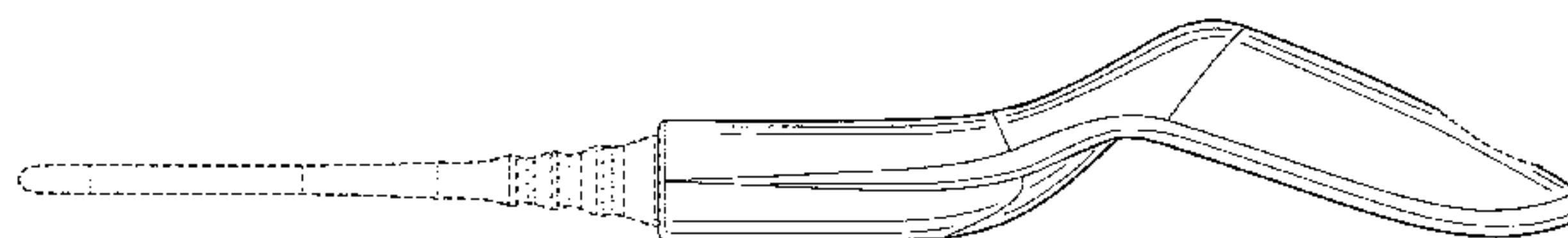


FIG. 2 is bottom perspective view thereof;
FIG. 3 is a rear elevation view thereof;
FIG. 4 is a front elevation view thereof;
FIG. 5 is a right elevation view thereof;
FIG. 6 is a left elevation view thereof;
FIG. 7 is a bottom plan view thereof; and
FIG. 8 is a top plan view thereof;
FIG. 9 is a top perspective view of a second embodiment of a brush handle showing the design;
FIG. 10 is bottom perspective view thereof;
FIG. 11 is a rear elevation view thereof;
FIG. 12 is a front elevation view thereof;
FIG. 13 is a right elevation view thereof;
FIG. 14 is a left elevation view thereof;
FIG. 15 is a bottom plan view thereof; and
FIG. 16 is a top plan view thereof;
FIG. 17 is a top perspective view of a third embodiment of a brush handle showing the design;
FIG. 18 is bottom perspective view thereof;
FIG. 19 is a rear elevation view thereof;
FIG. 20 is a front elevation view thereof;
FIG. 21 is a right elevation view thereof;
FIG. 22 is a left elevation view thereof;
FIG. 23 is a bottom plan view thereof; and
FIG. 24 is a top plan view thereof;
FIG. 25 is a top perspective view of a fourth embodiment of a brush handle showing the design;
FIG. 26 is bottom perspective view thereof;
FIG. 27 is a rear elevation view thereof;
FIG. 28 is a front elevation view thereof;
FIG. 29 is a right elevation view thereof;
FIG. 30 is a left elevation view thereof;
FIG. 31 is a bottom plan view thereof; and,
FIG. 32 is a top plan view thereof.

The broken lines in the drawings are for the purpose of illustrating environmental structure and form no part of the claimed design. Each of the four embodiments illustrates the claimed handle with a different type of brush. In each embodiment, the brush itself is not claimed.

1 Claim, 28 Drawing Sheets



(58) **Field of Classification Search**

USPC D4/131, 132, 133, 134, 135, 136, 137,
D4/138, 199; 15/143.1, 111; D32/35,
D32/40, 41, 42; 206/361; D14/491;
D7/691, 653, 393, 395; D8/10, 80, 94,
D8/107; D3/12; 16/DIG. 18, DIG. 19
CPC . A46B 5/02; A46B 2200/20; A46B 2200/202;
A46B 3/005; A46B 2200/3033; A46B
7/04; A46B 9/02

See application file for complete search history.

(56) **References Cited**

U.S. PATENT DOCUMENTS

D207,410 S *	4/1967	Widgen	D7/691
D274,593 S *	7/1984	Filippini	D7/653
D428,085 S *	7/2000	Kirch	D21/722
D488,035 S *	4/2004	Overthun	D7/691
D557,253 S *	12/2007	Engstrom	D14/205
D632,531 S *	2/2011	Kehoe	D7/691
D722,843 S *	2/2015	Lullie	D7/691
D755,590 S *	5/2016	Salojarvi	D8/10
D813,622 S *	3/2018	Baker	D8/10

* cited by examiner

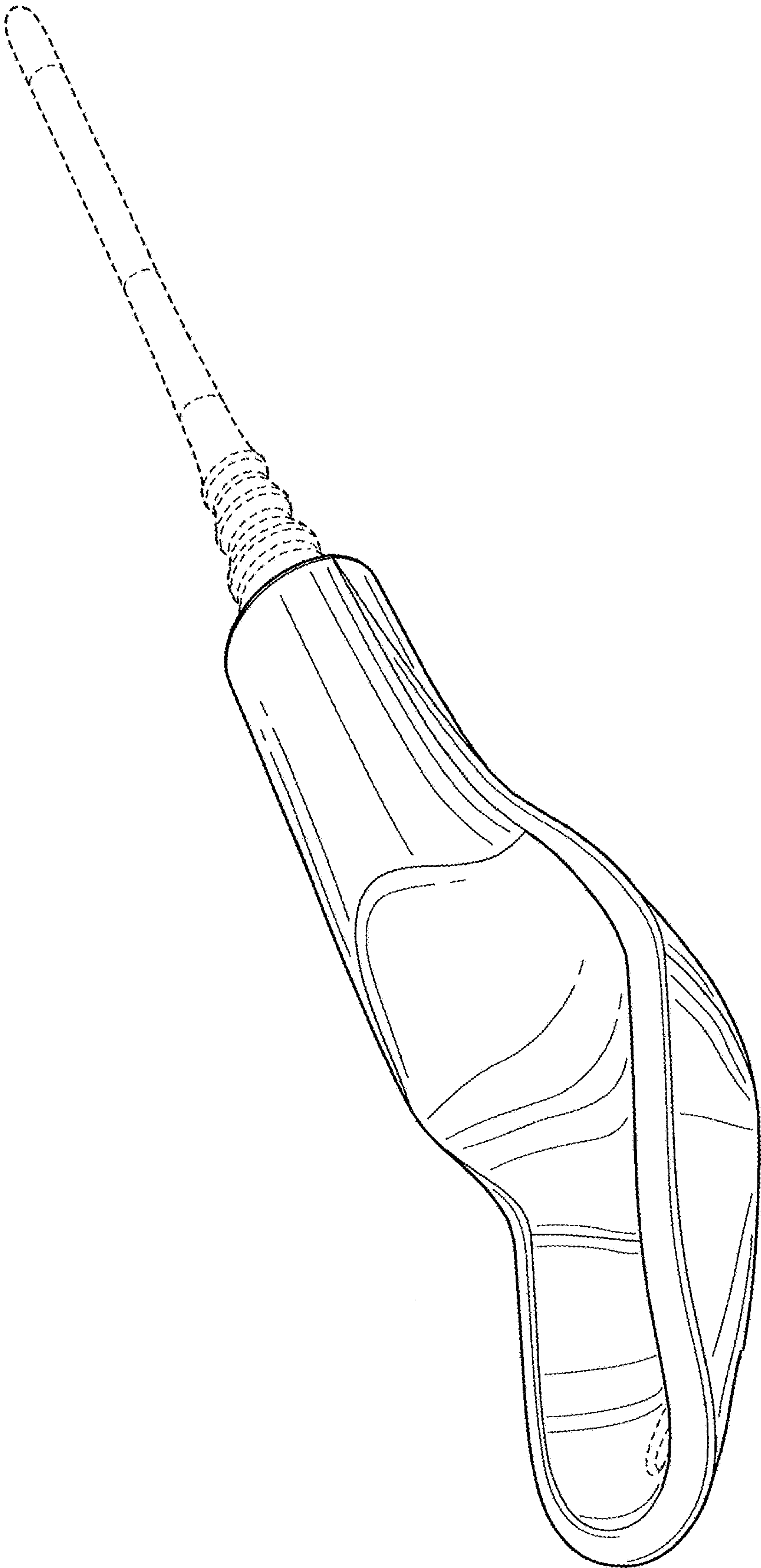


FIG. 1

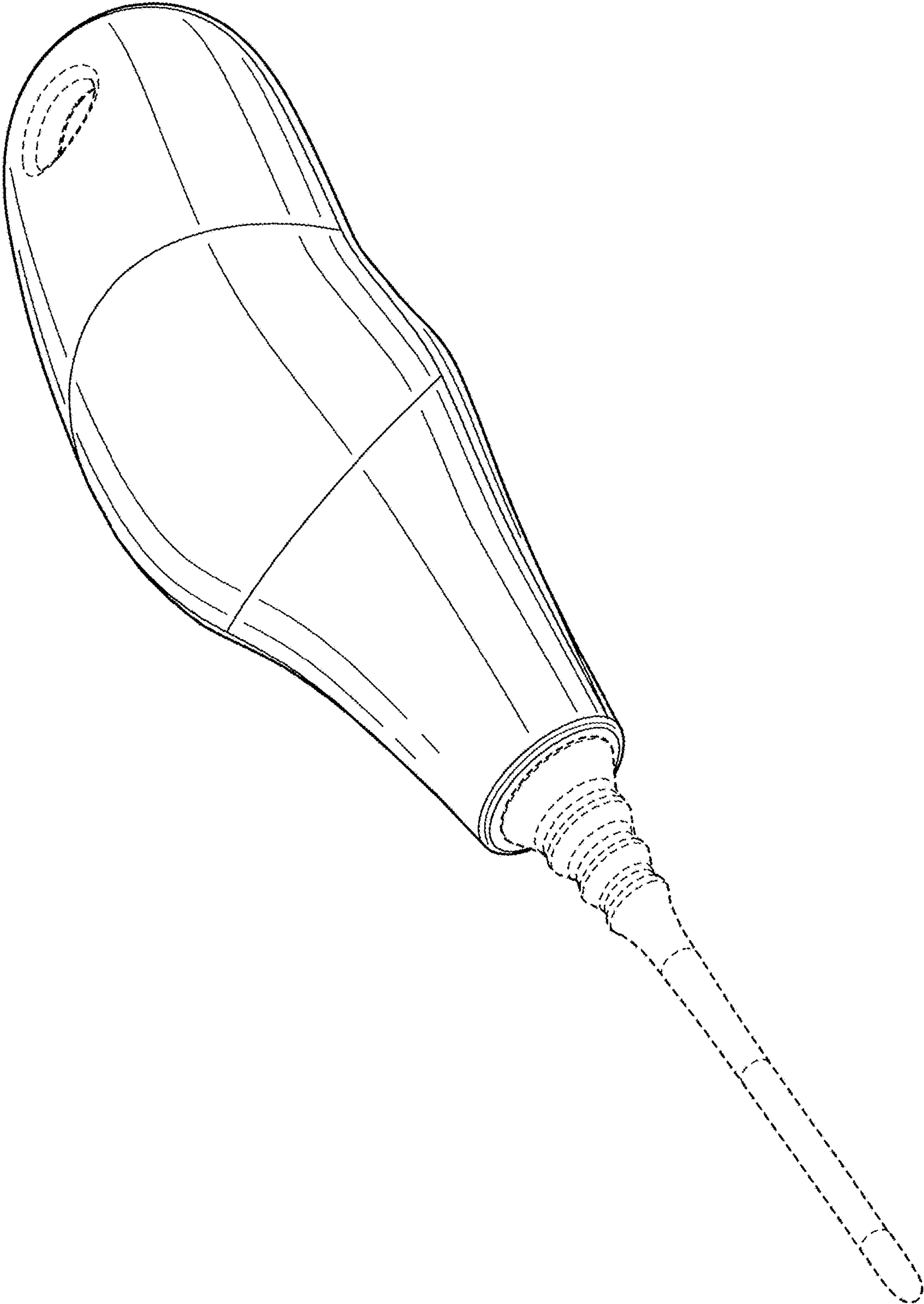


FIG. 2

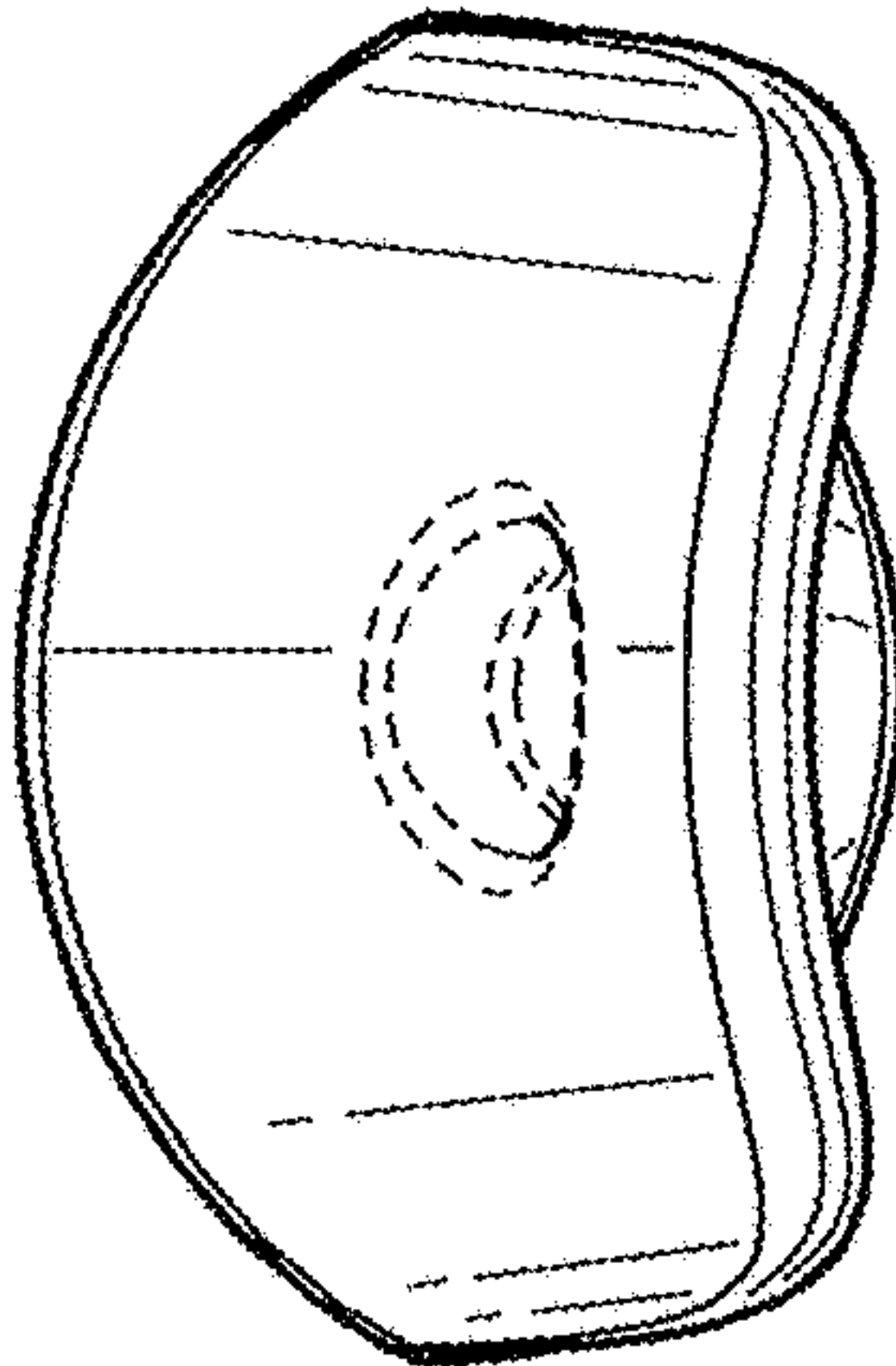


FIG. 4

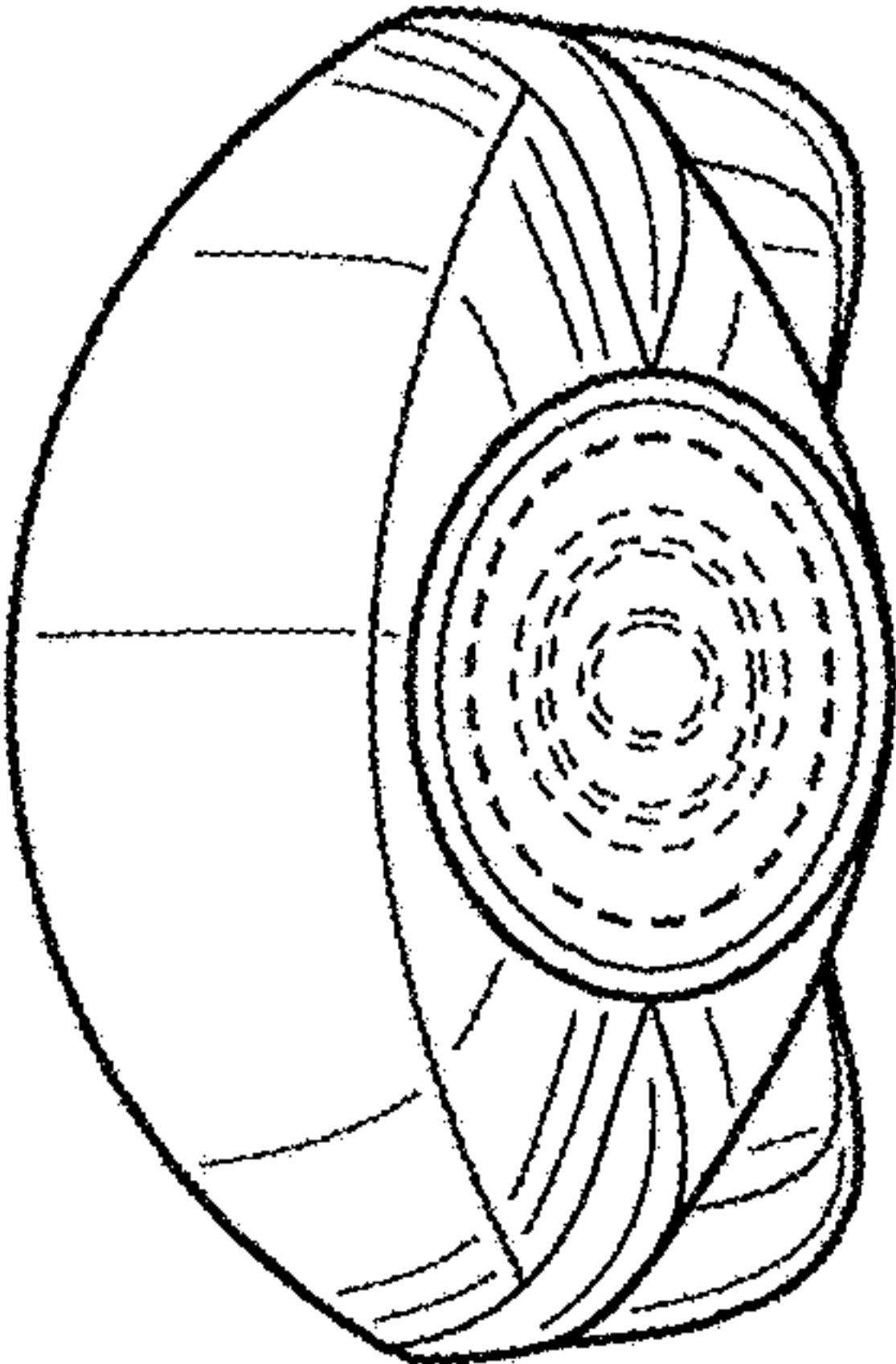


FIG. 3

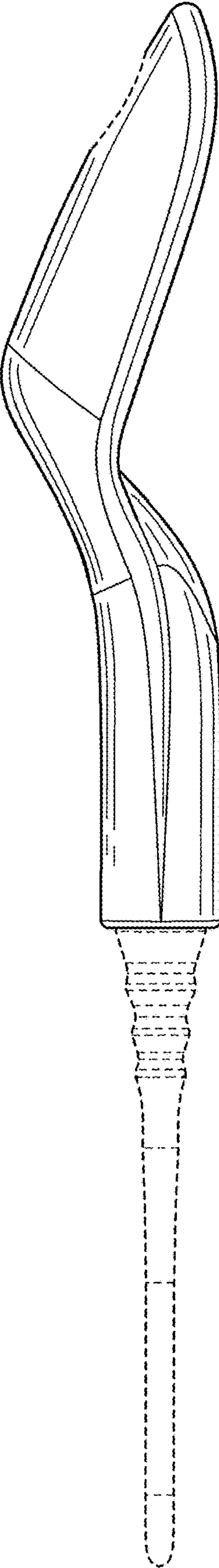


FIG. 5

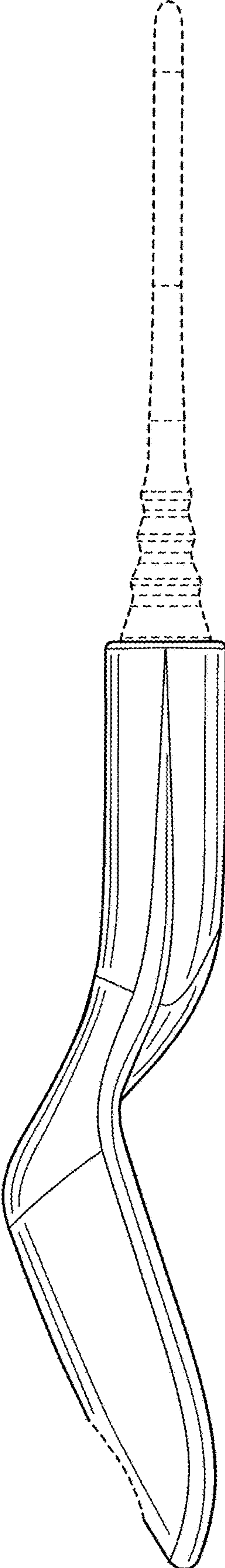


FIG. 6

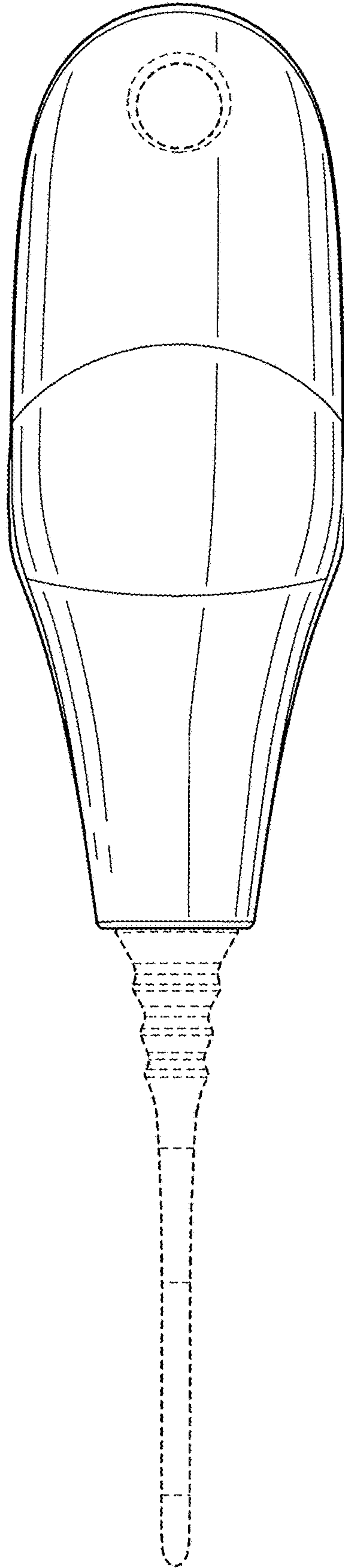


FIG. 7

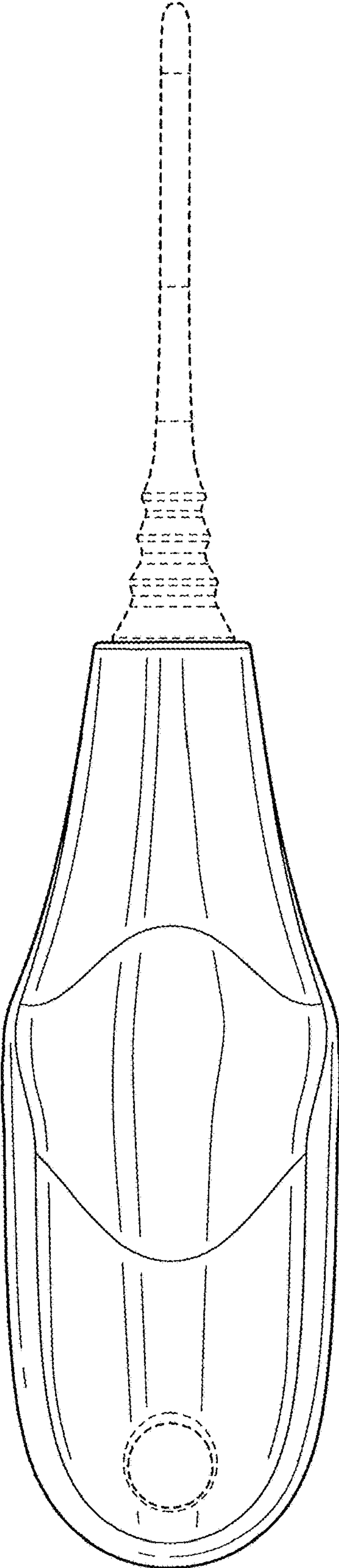


FIG. 8

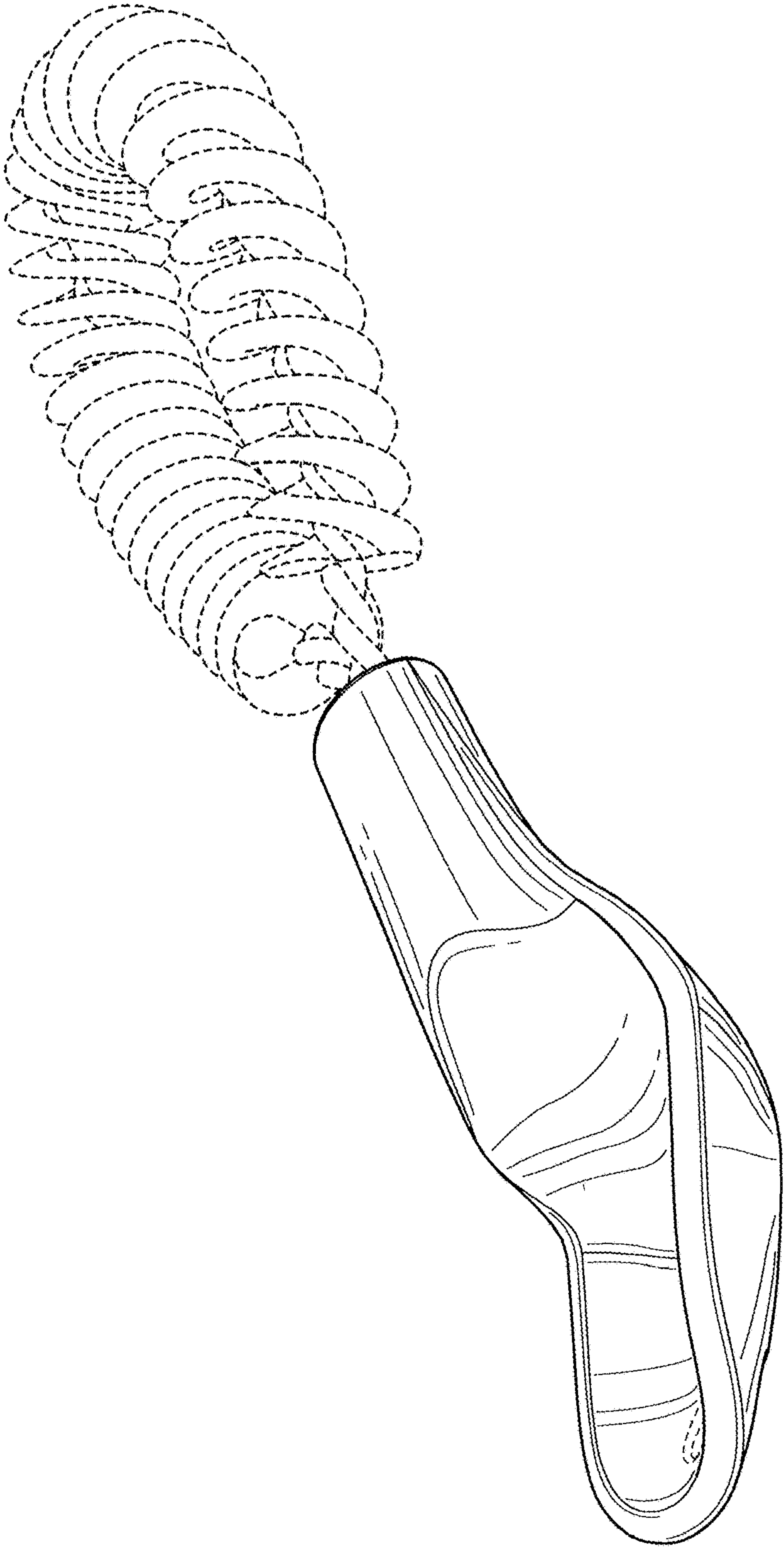


FIG. 9

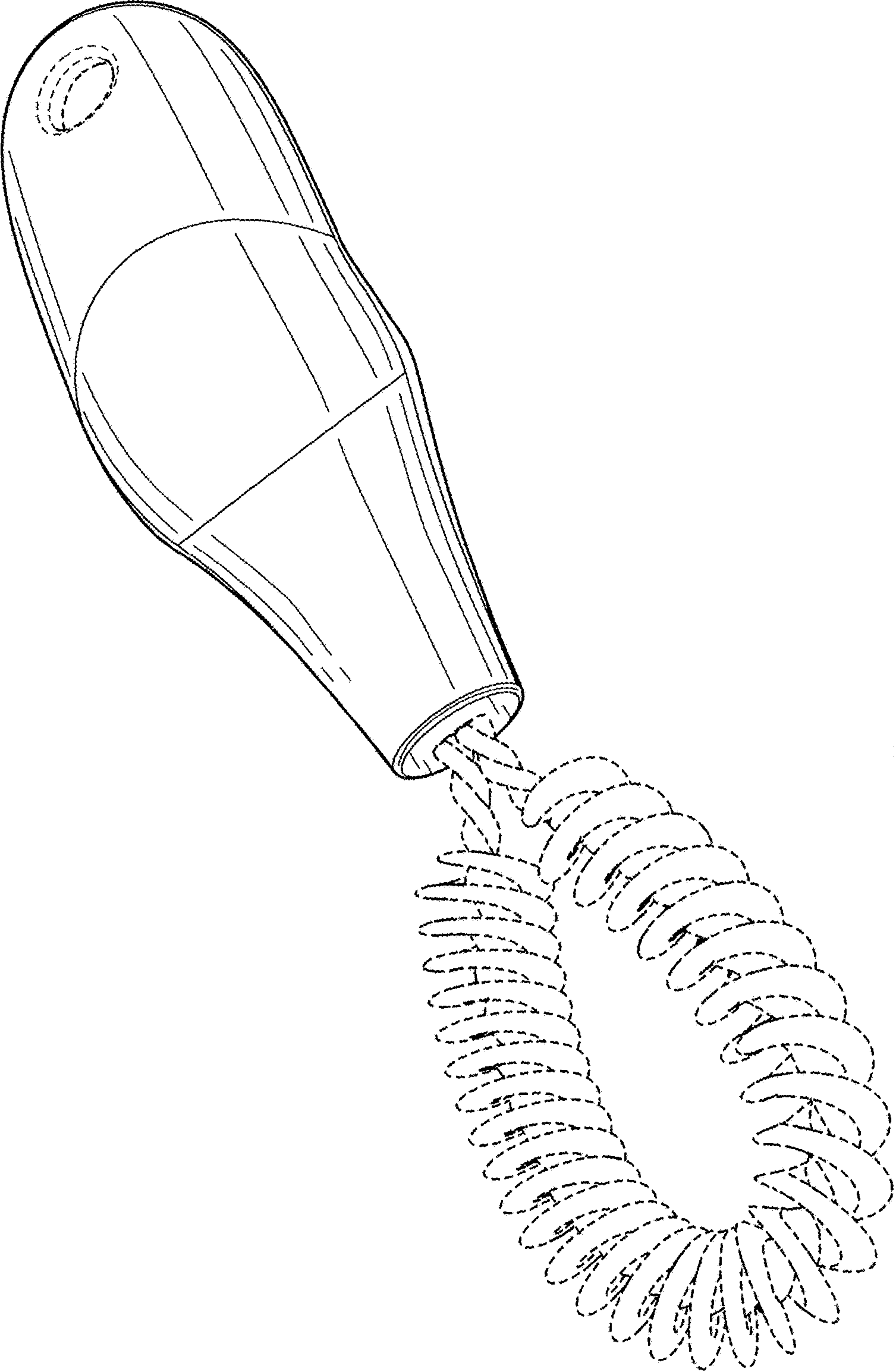


FIG. 10

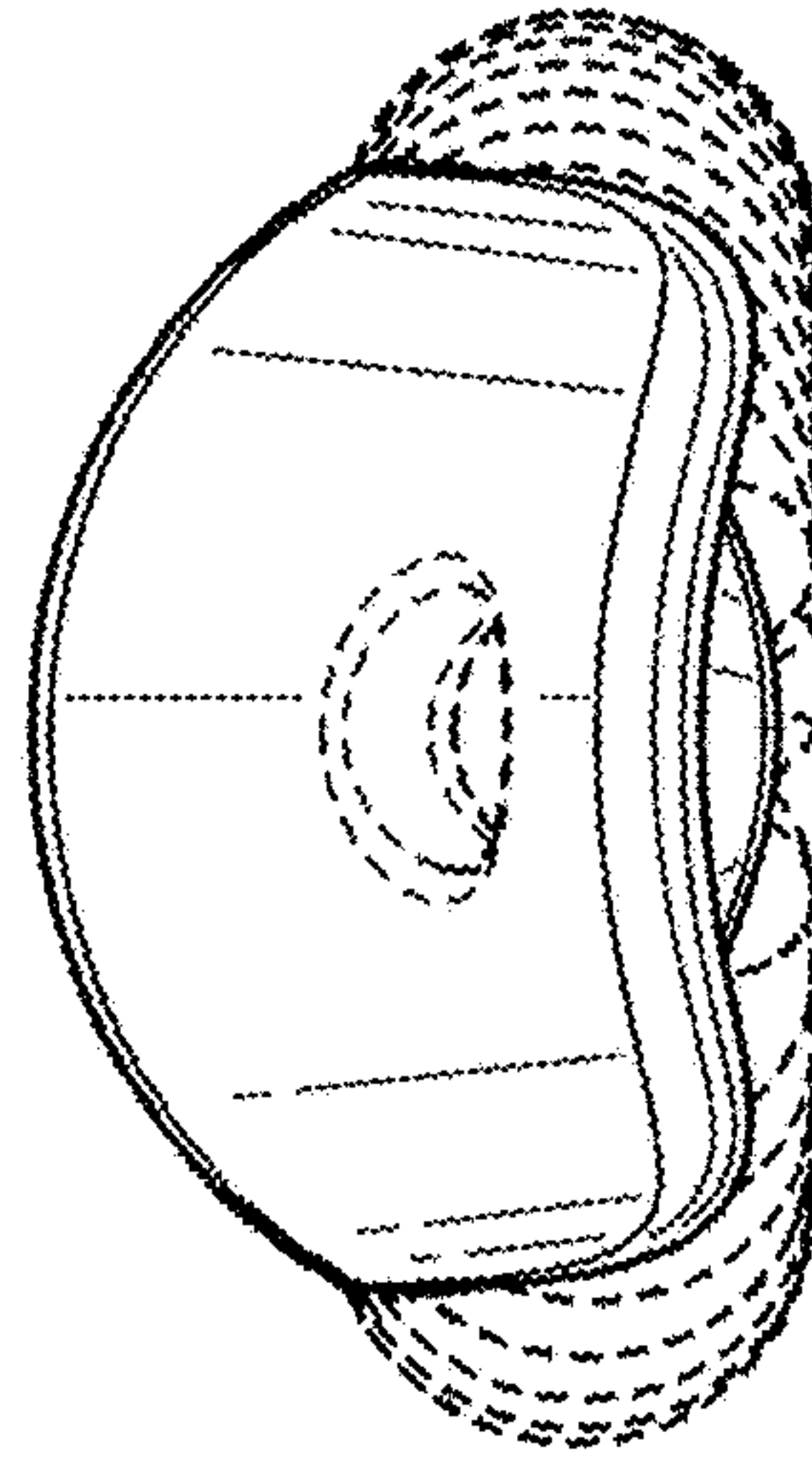


FIG. 11

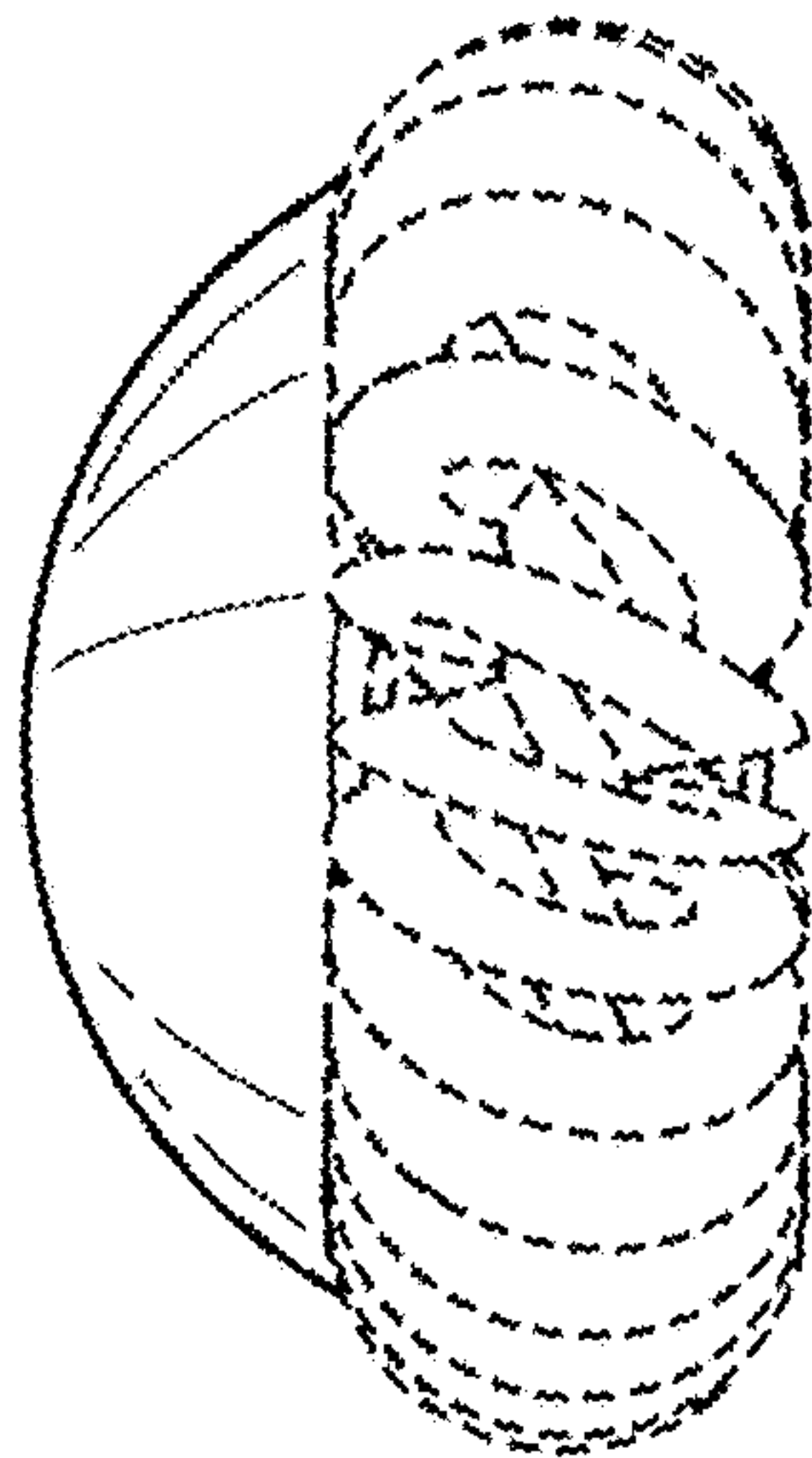


FIG. 12

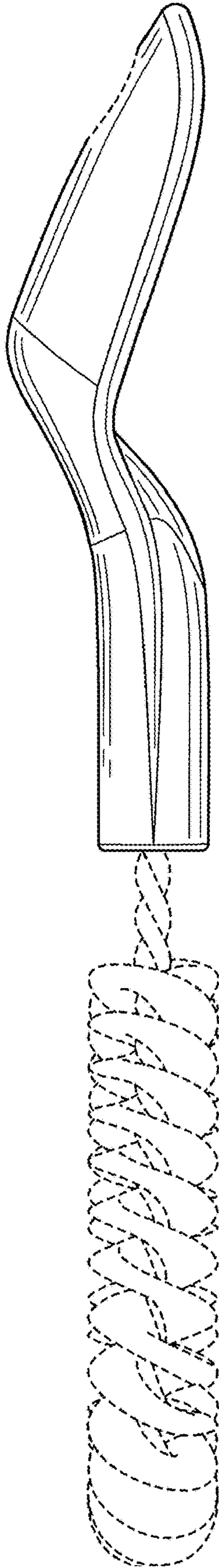


FIG. 13

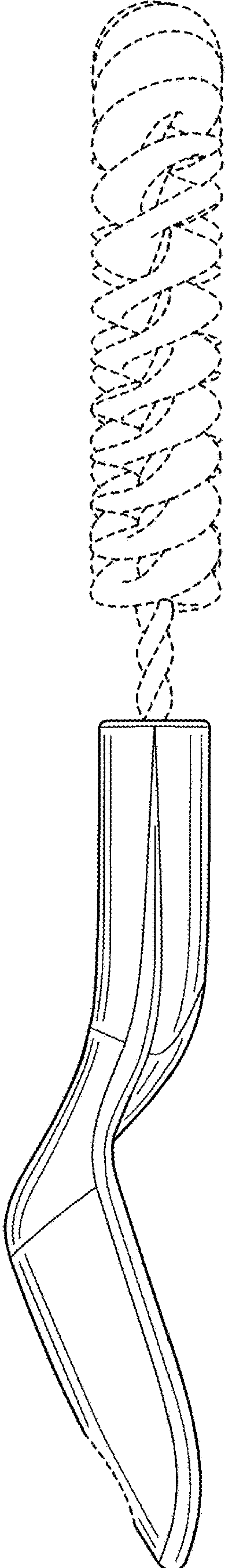


FIG. 14

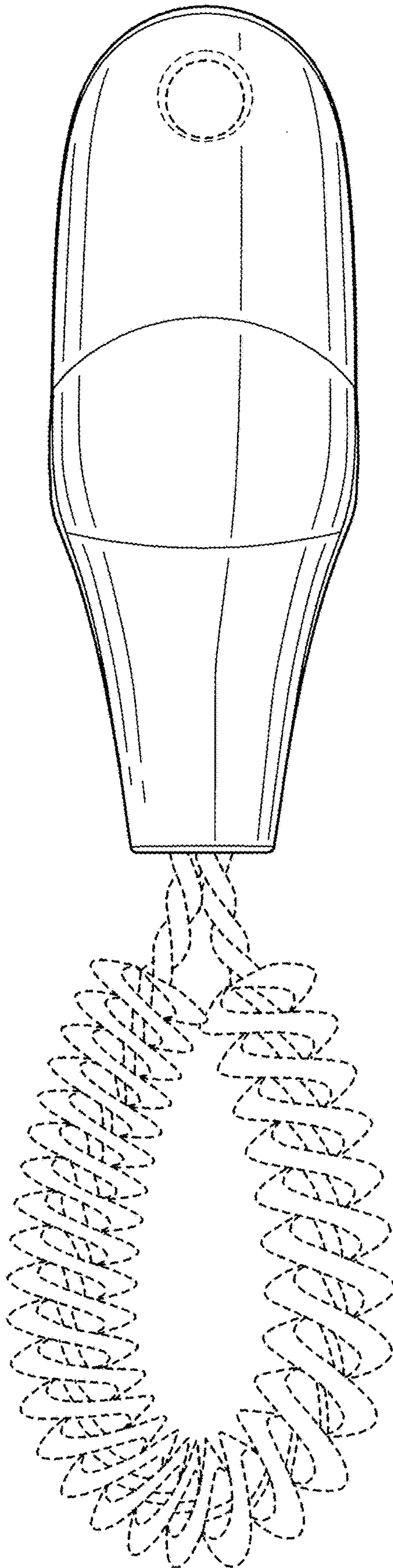


FIG. 15

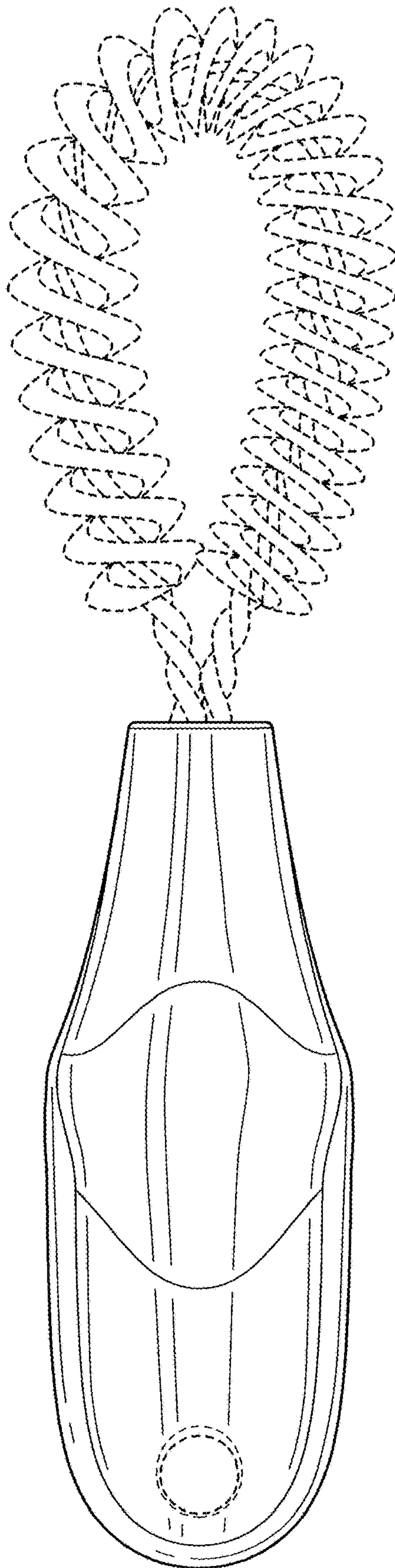


FIG. 16

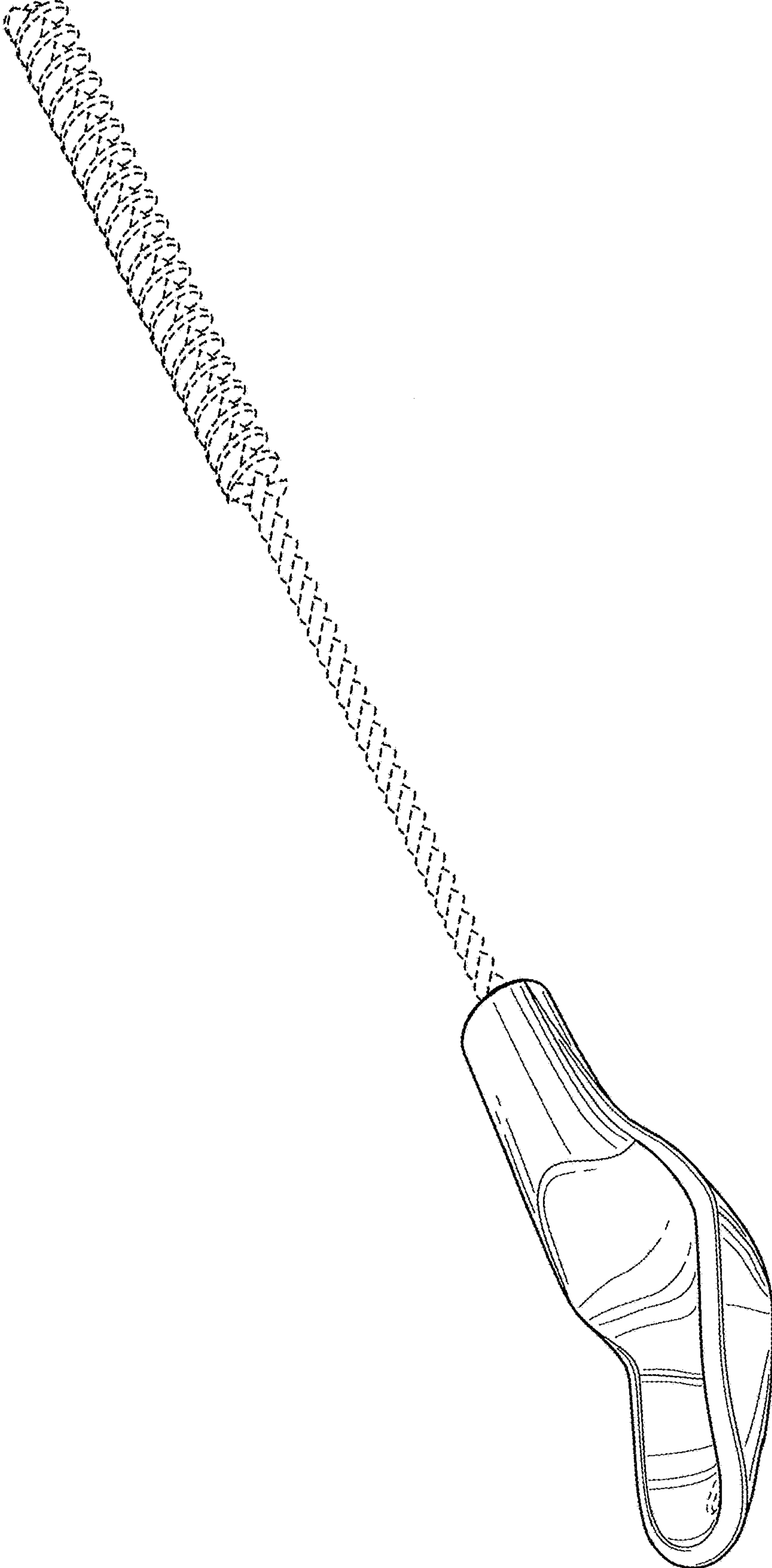


FIG. 17

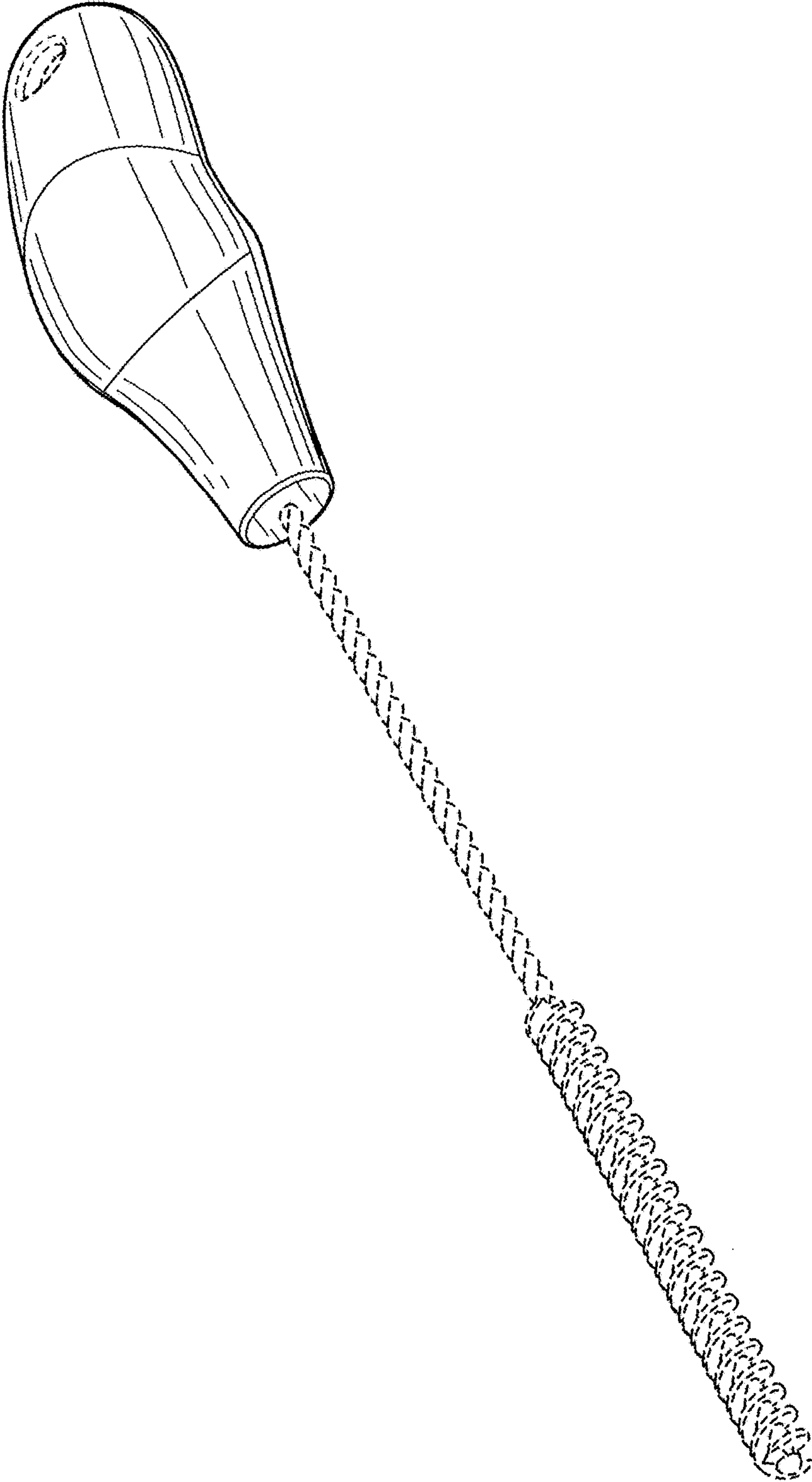


FIG. 18

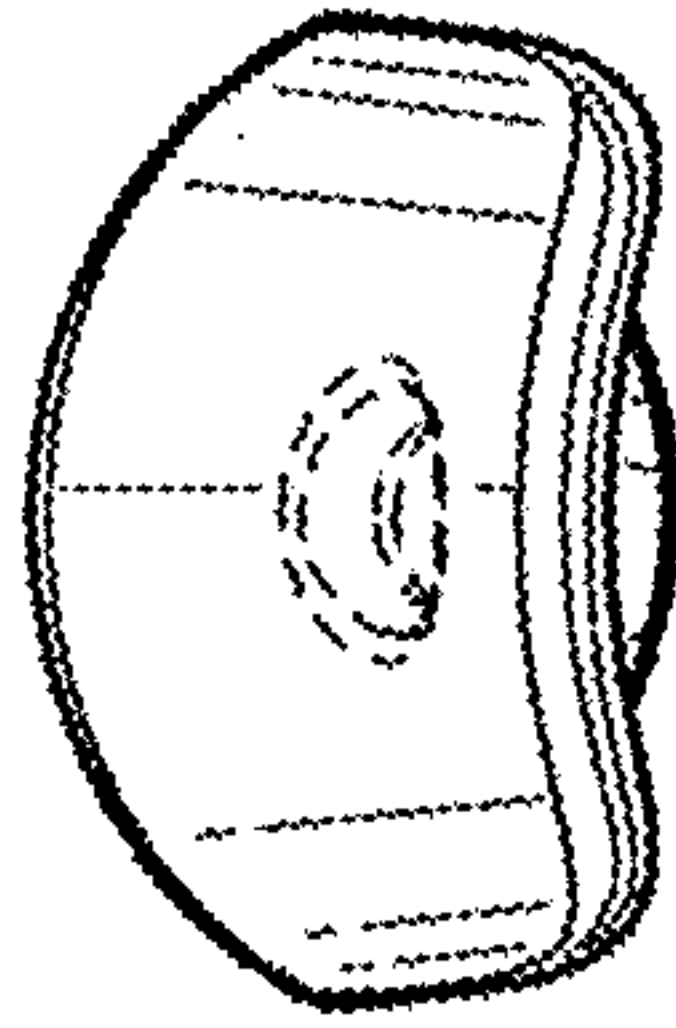


FIG. 20

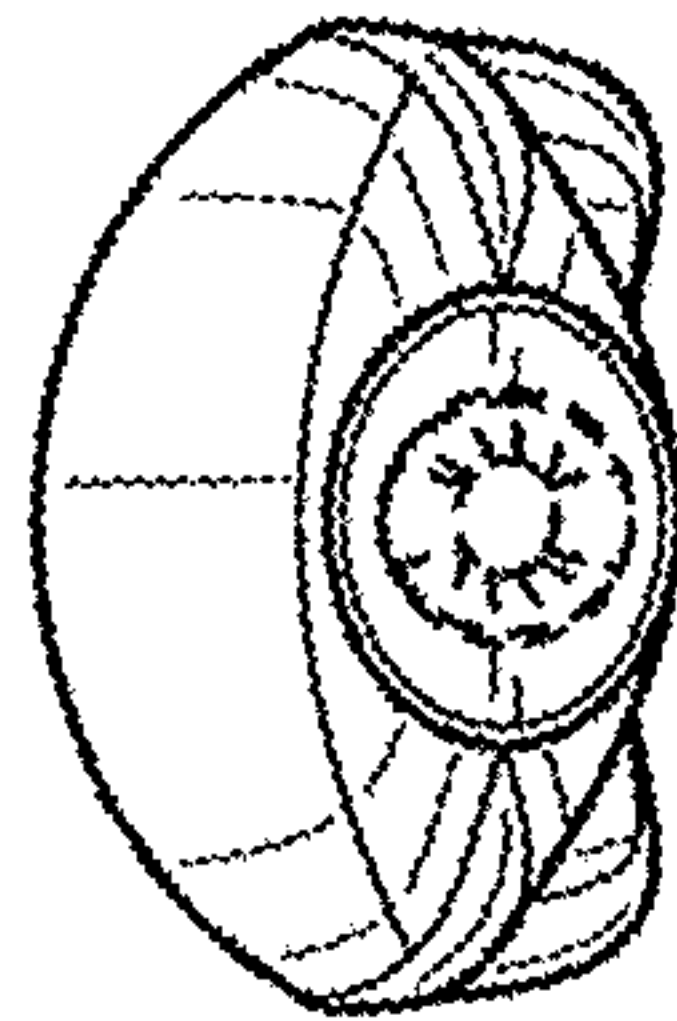


FIG. 19

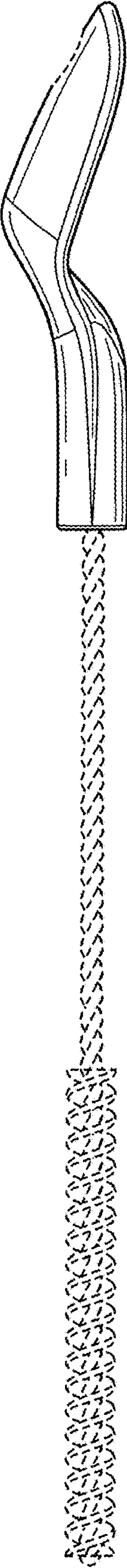


FIG. 21

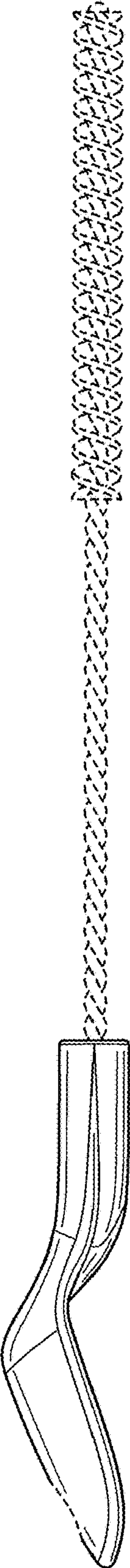


FIG. 22

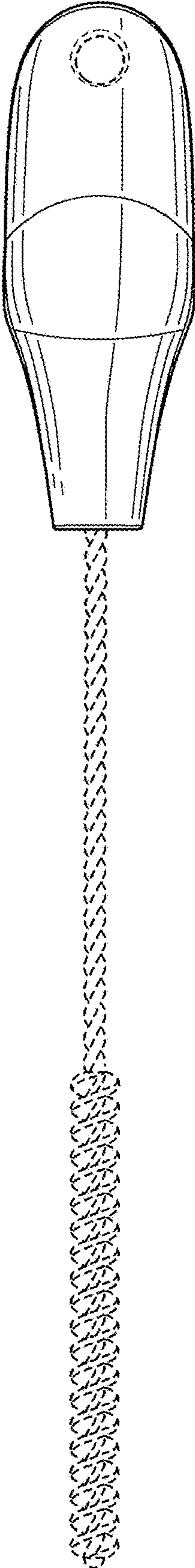


FIG. 23

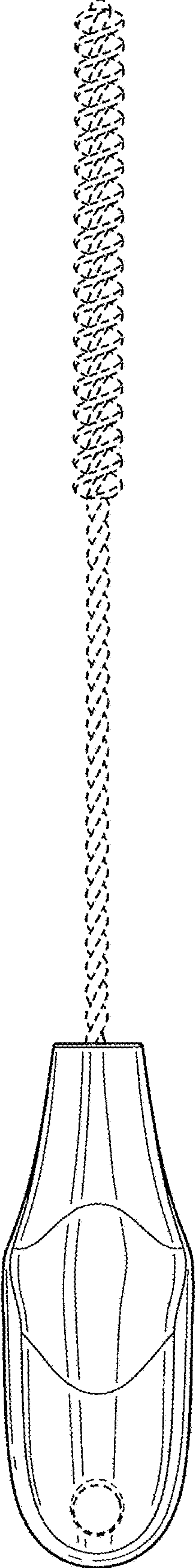


FIG. 24

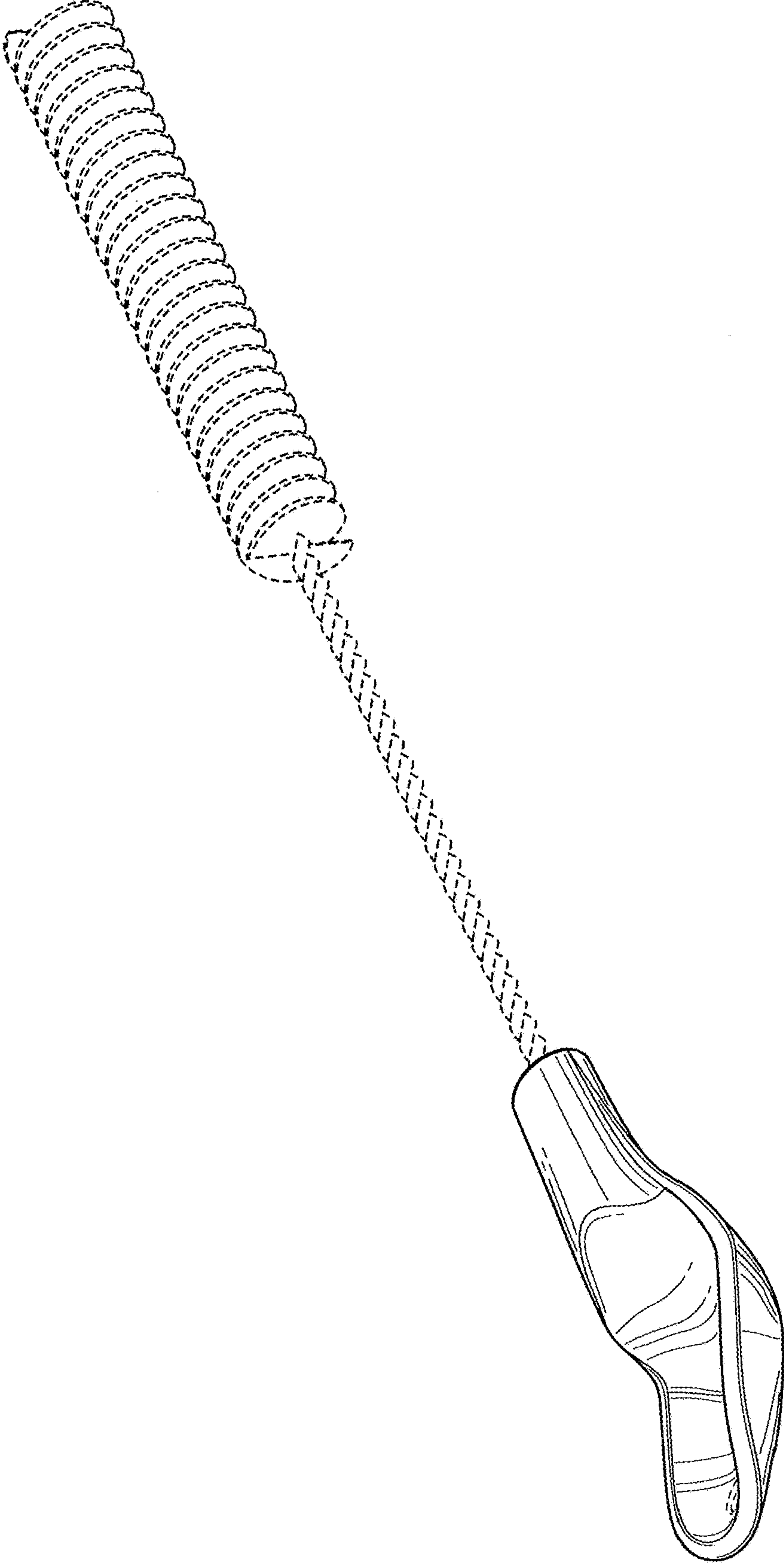


FIG. 25

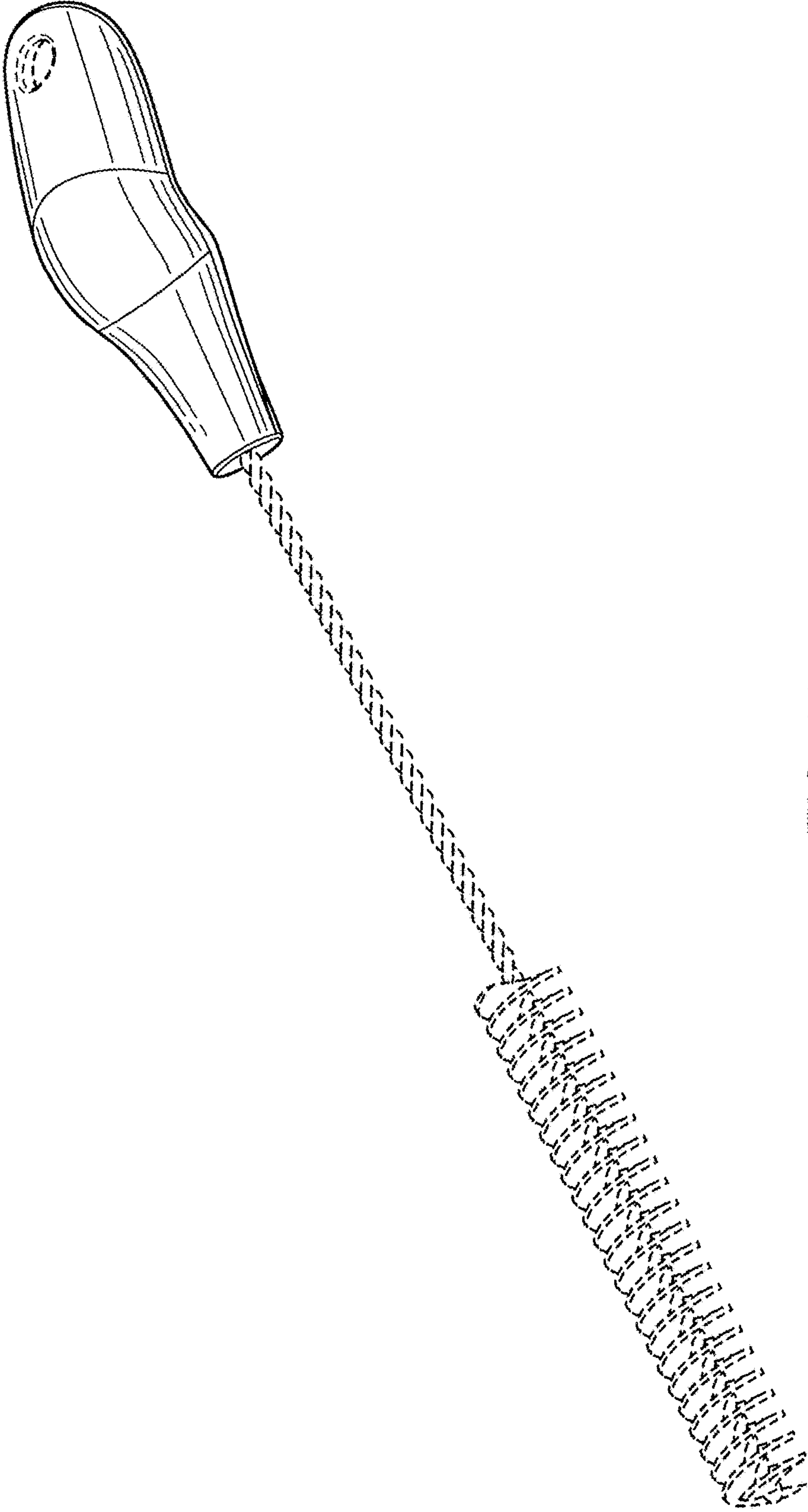


FIG. 26

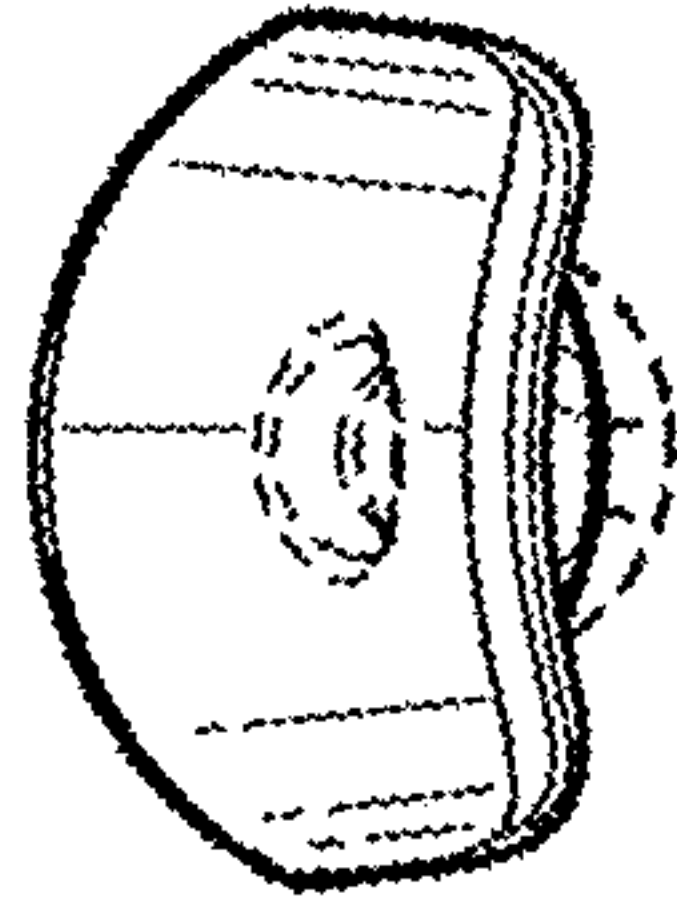


FIG. 28

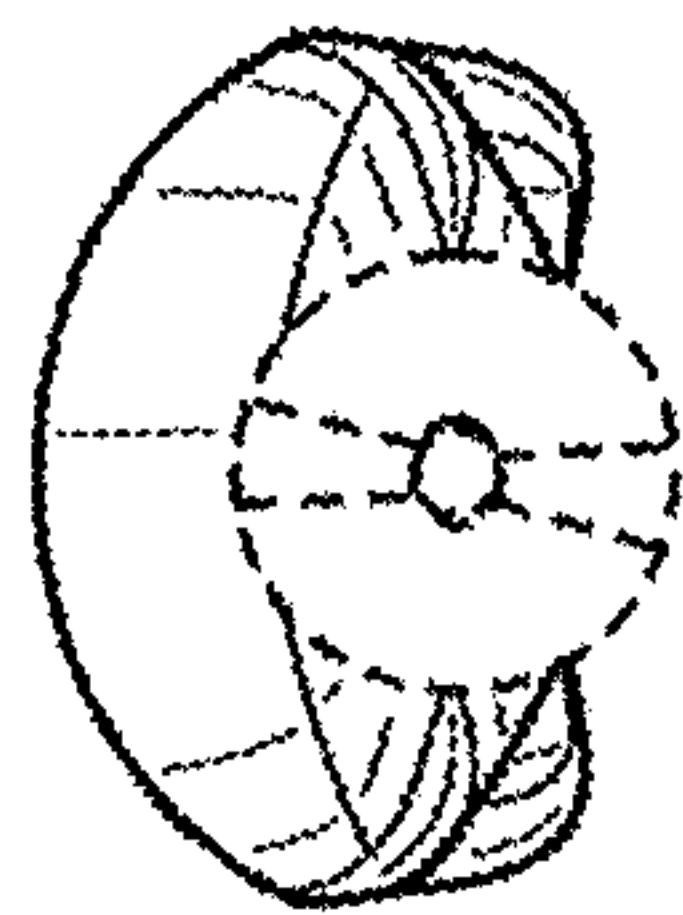


FIG. 27

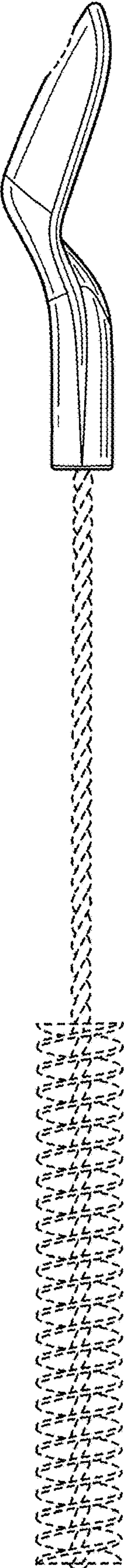


FIG. 29

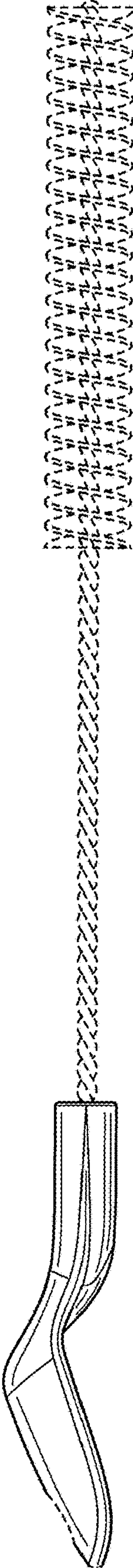


FIG. 30

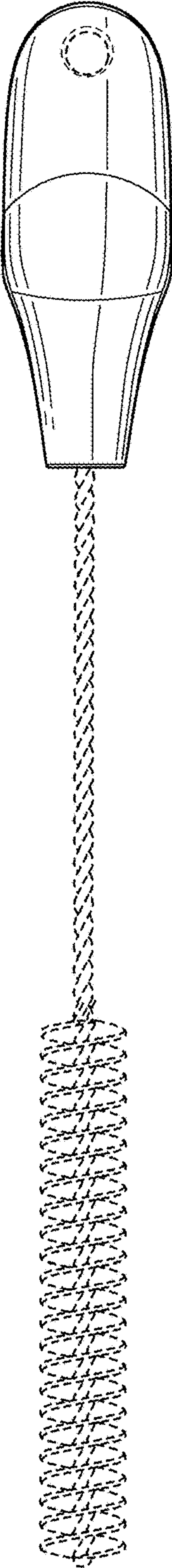


FIG. 31

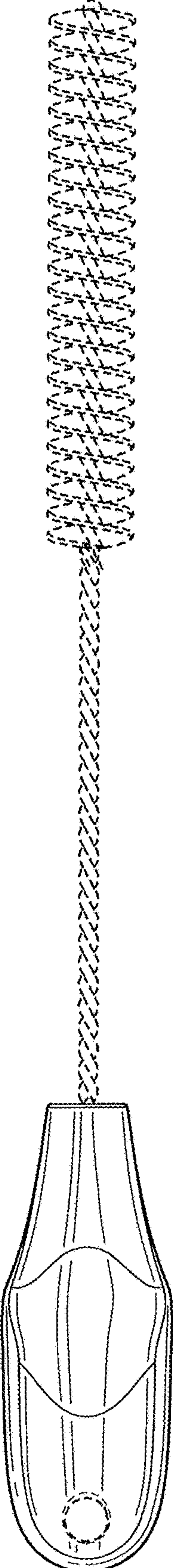


FIG. 32