



US00D850120S

(12) **United States Design Patent**
Burton

(10) **Patent No.:** **US D850,120 S**
(45) **Date of Patent:** **** Jun. 4, 2019**

(54) **HAND SCRUBBER**

(71) Applicant: **Rhett Burton**, West Haven, UT (US)

(72) Inventor: **Rhett Burton**, West Haven, UT (US)

(**) Term: **15 Years**

(21) Appl. No.: **29/631,019**

(22) Filed: **Dec. 26, 2017**

(51) **LOC (11) Cl.** **04-02**

(52) **U.S. Cl.**
USPC **D4/134**

(58) **Field of Classification Search**

USPC D4/100, 101, 102, 114, 115, 116, 117,
D4/118, 121, 122, 123, 127, 128, 130,
D4/131, 132, 133, 134, 135, 136, 137,
D4/138, 199; D24/214, 215; D28/7, 35,
D28/63; D32/33, 35, 41, 42, 25
CPC A46B 5/00; A46B 5/02; A46B 7/06; A46B
7/08; A46B 7/10; A46B 9/00; A46B 9/02;
A46B 9/023; A46B 9/028; A46B 13/00;
A46B 11/002; A46B 11/06; A46B 11/063;
A46B 13/001; A46B 3/005; A46B 13/02;
A46B 2200/00; A46B 2200/10; A46B
2200/1006; A46B 2200/1013; A46B
2200/102; A46B 2200/104; A46B
2200/1093; A46B 2200/30; A46B
2200/3033; A46B 2200/304; A46B
2200/306; A46B 2200/3086; A46B
2200/40; A46B 5/0016; A46B 9/025;
A45D 29/17

See application file for complete search history.

(56) **References Cited**

U.S. PATENT DOCUMENTS

2,841,811 A 7/1958 Carroll
3,467,978 A 9/1969 Golden
3,966,335 A 6/1976 Abramson

4,050,825 A 9/1977 Stein
4,203,857 A 5/1980 Dugan
4,420,853 A * 12/1983 Gilman A46B 9/02
15/111
5,163,200 A * 11/1992 Carlin A47K 7/026
15/104.92
5,312,197 A 5/1994 Abramson
D361,434 S * 8/1995 Summers D4/130
5,442,829 A * 8/1995 Summers A45D 29/17
15/106
6,042,287 A * 3/2000 Kaufman A46B 11/0003
15/114
7,918,233 B2 4/2011 Burgess et al.
D688,466 S * 8/2013 Prodoehl D5/57
D705,489 S 5/2014 Kliegman et al.
D743,659 S 11/2015 Reger
9,307,874 B2 4/2016 Smith
D777,390 S * 1/2017 Staude D32/35
10,006,172 B2 * 6/2018 Olson D21H 27/40

(Continued)

Primary Examiner — Karen E Eldridge Powers
(74) *Attorney, Agent, or Firm* — Quickpatents, LLC;
Kevin Prince

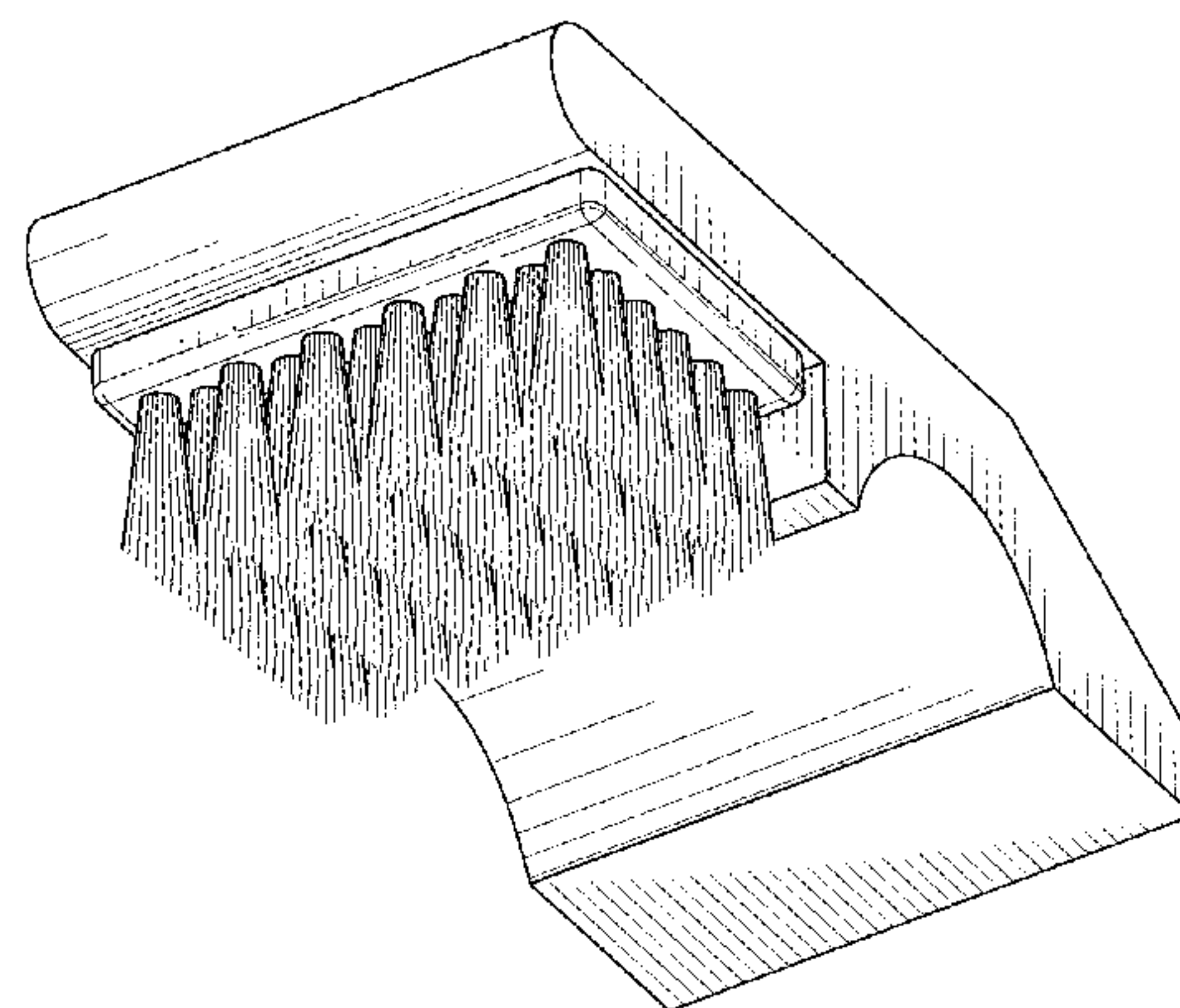
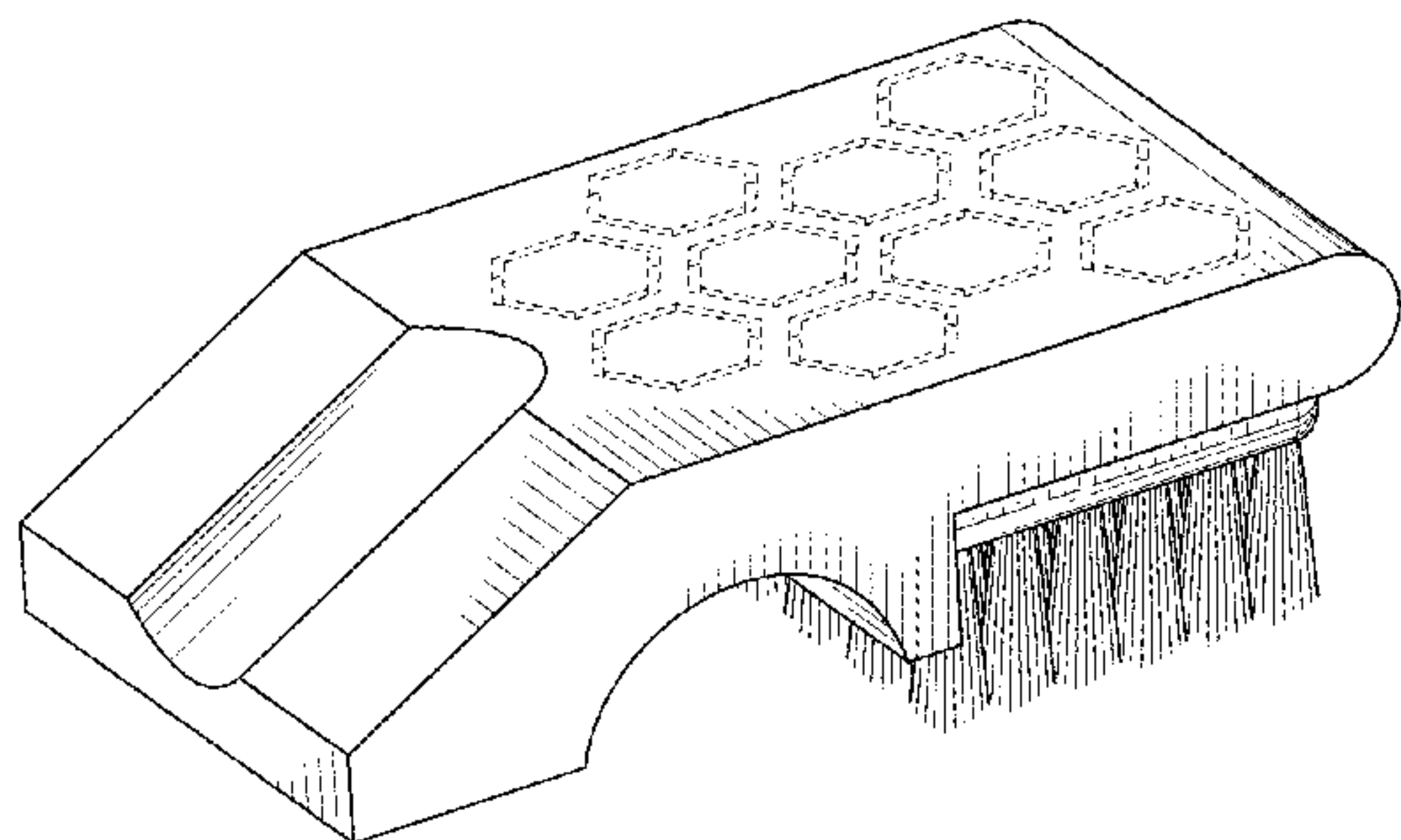
(57) **CLAIM**

I claim the ornamental design for a hand scrubber, as shown and described.

DESCRIPTION

FIG. 1 is a top perspective view of a hand scrubber, showing my new design;
FIG. 2 is a bottom perspective view thereof;
FIG. 3 is a rear elevational view thereof;
FIG. 4 is a front elevational view thereof;
FIG. 5 is a left-side elevational view thereof, the right-side elevational view being a mirror image thereof;
FIG. 6 is a top plan view thereof; and,
FIG. 7 is a bottom plan view thereof.
The broken lines shown in the drawings illustrate features of the article in which the design is embodied that form no part of the claim.

1 Claim, 3 Drawing Sheets



(56)

References Cited

U.S. PATENT DOCUMENTS

2004/0072491 A1* 4/2004 Gillette A44B 18/0011
442/408
2005/0142093 A1* 6/2005 Skover A61B 17/54
424/70.14
2006/0033229 A1 2/2006 Daley
2012/0151701 A1 6/2012 Cho
2015/0208784 A1 7/2015 Choe

* cited by examiner

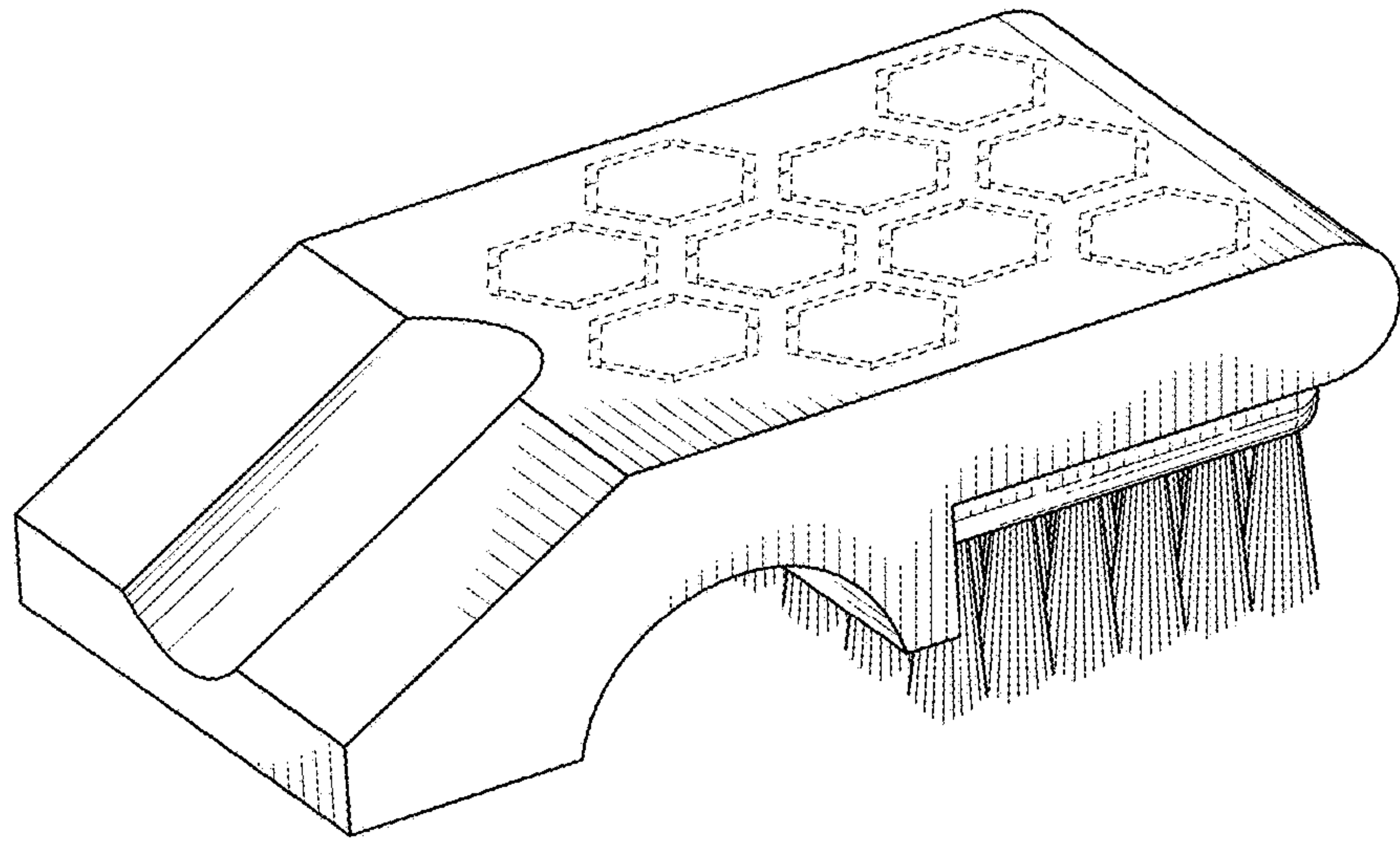


FIG. 1

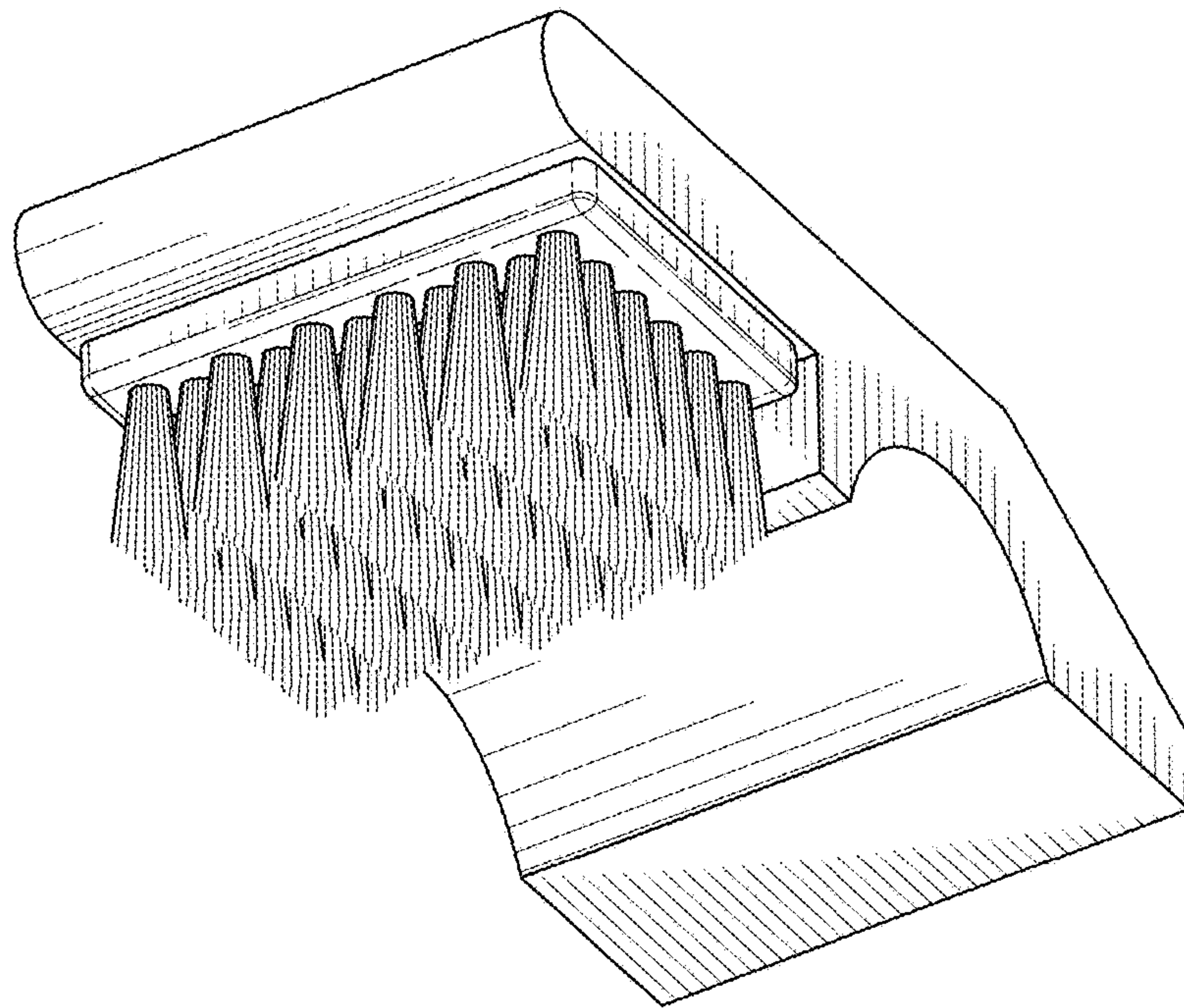


FIG. 2

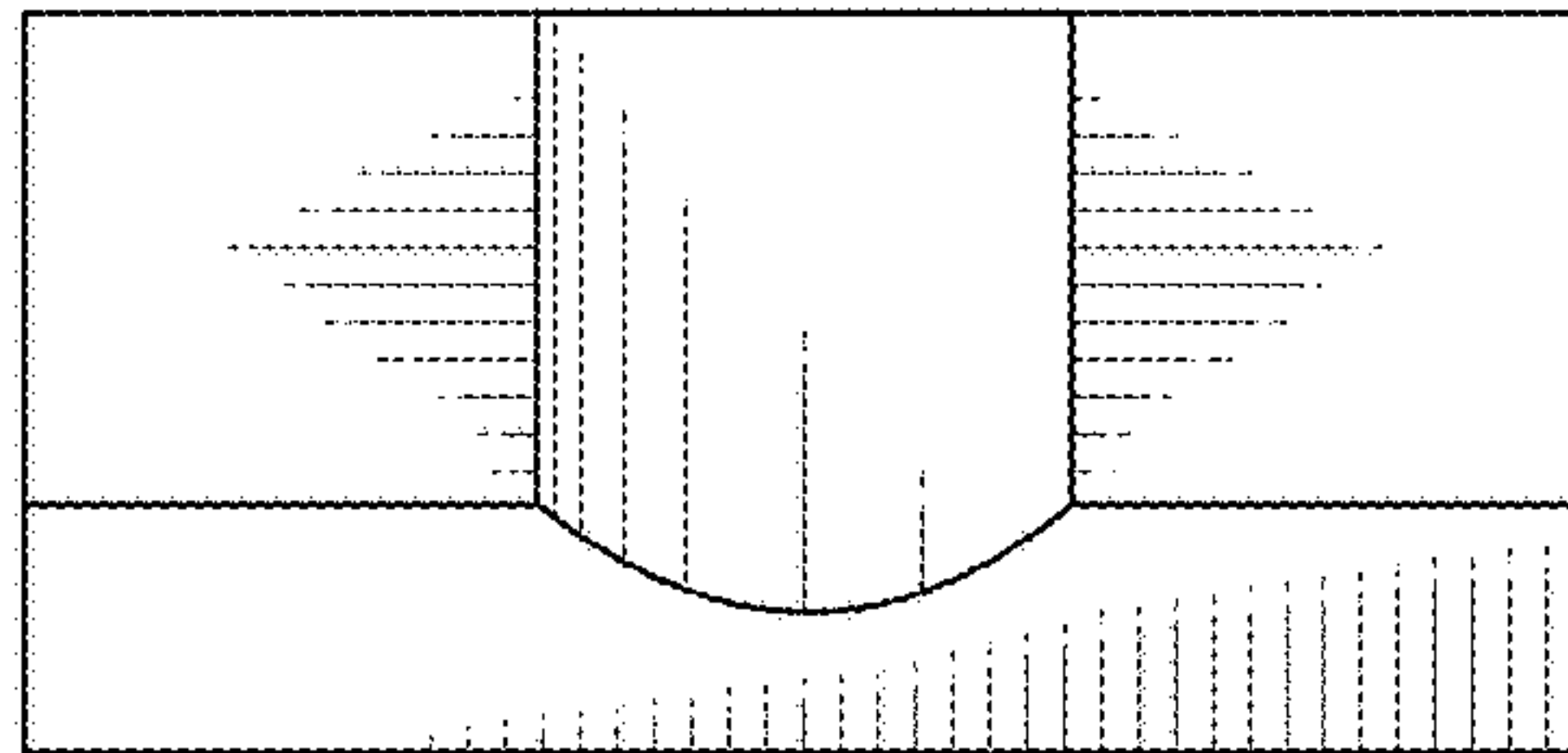


FIG. 3

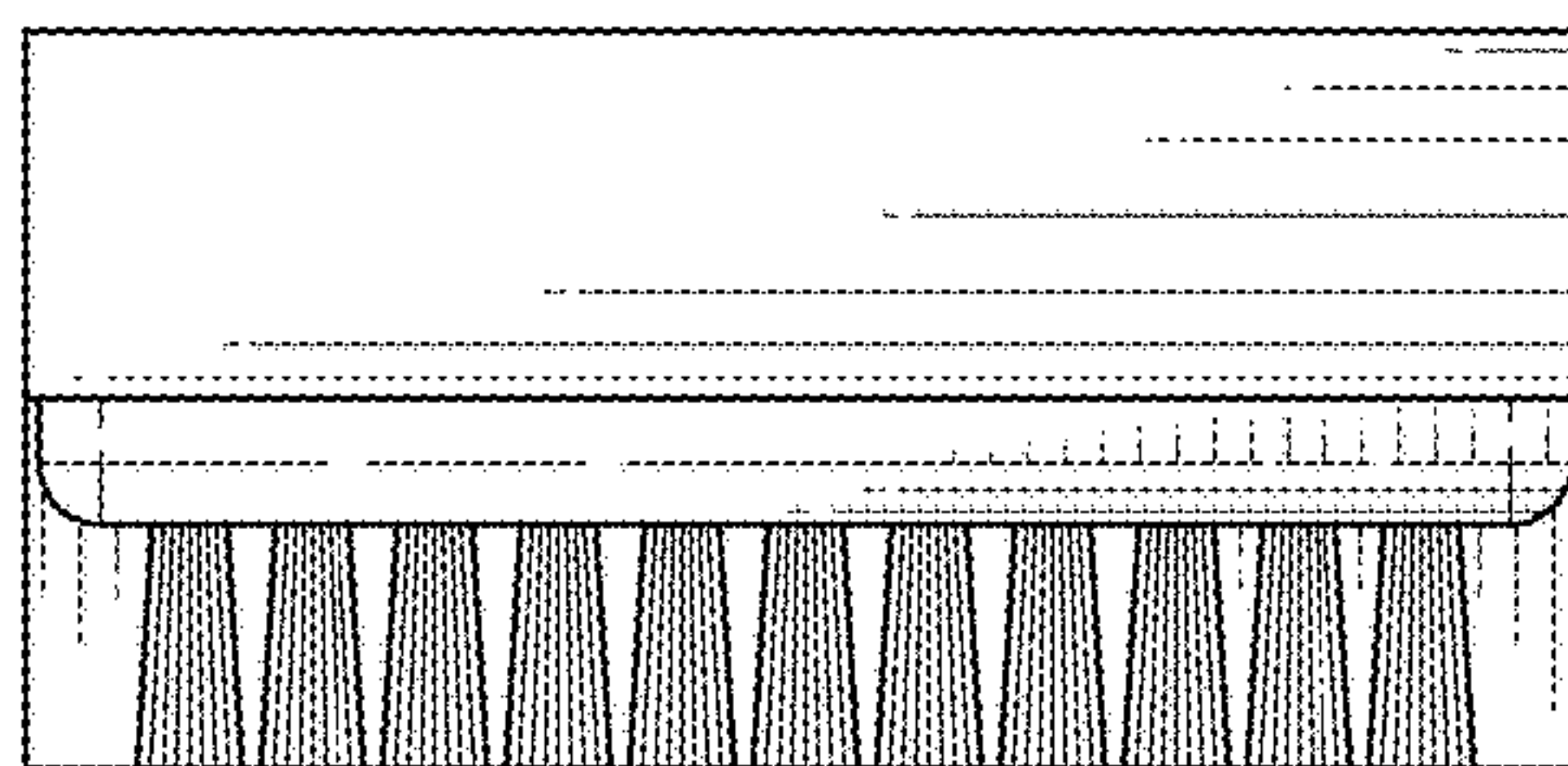


FIG. 4

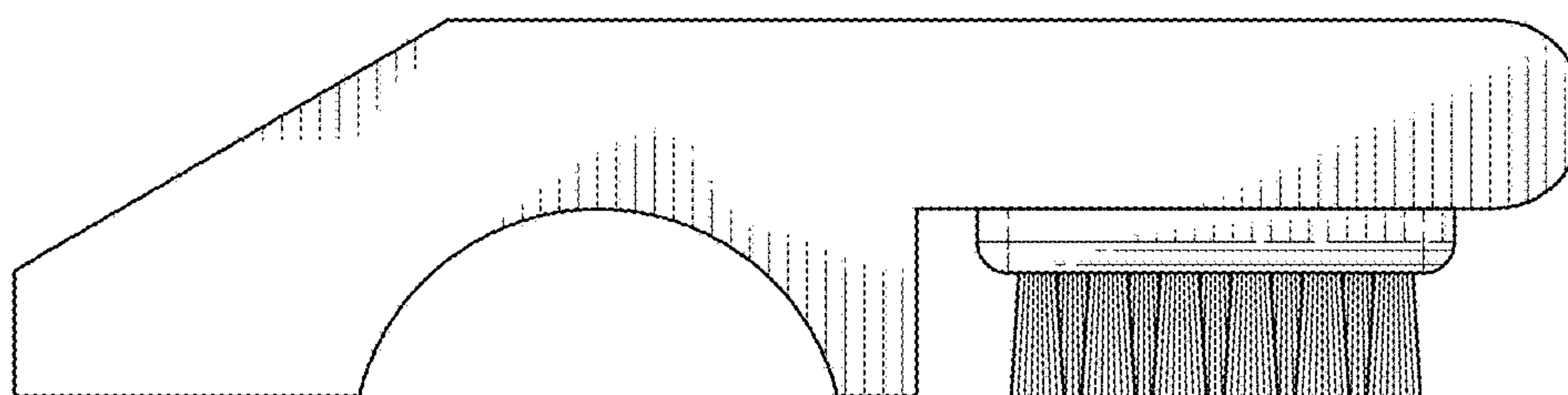


FIG. 5

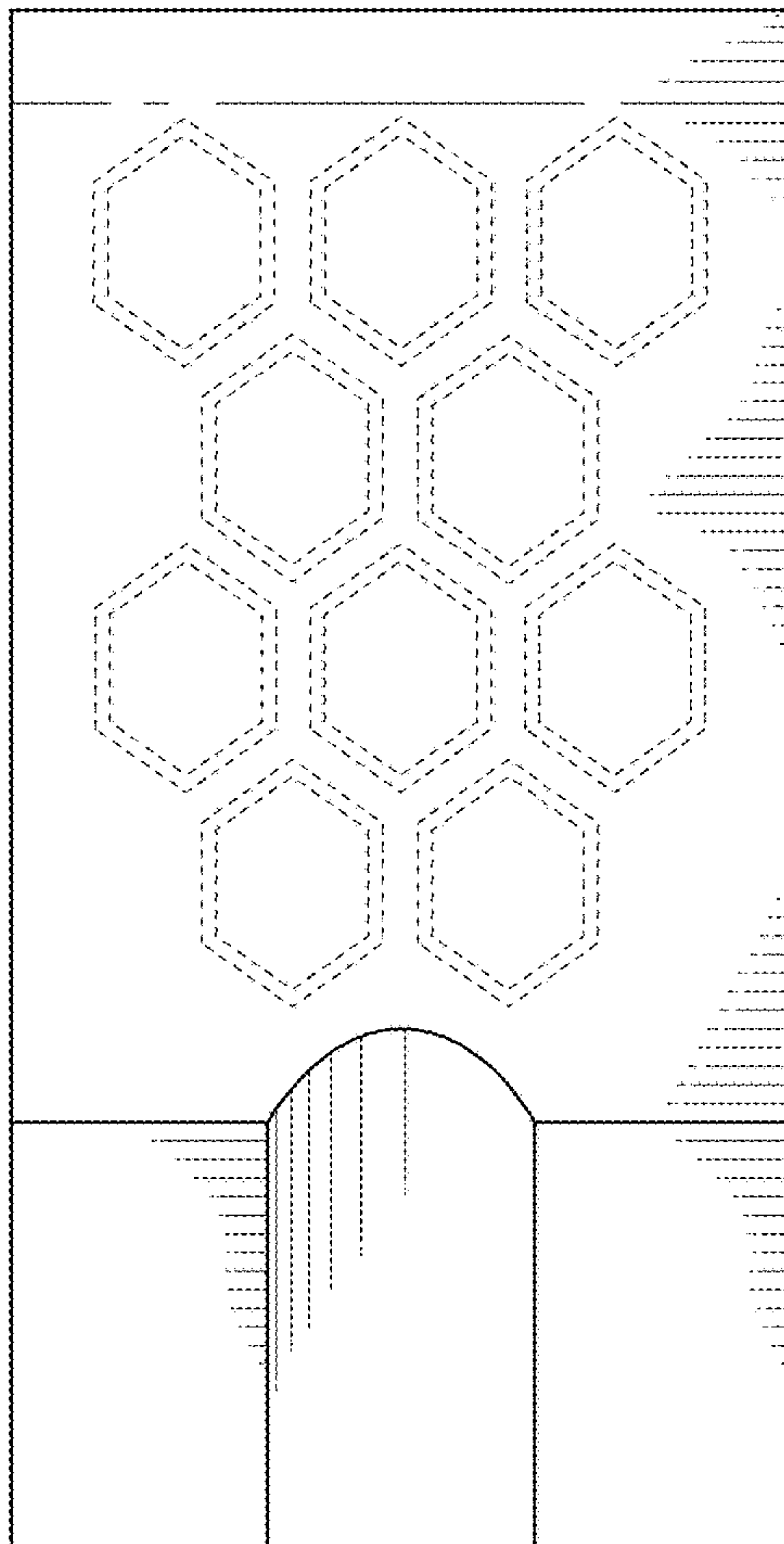


FIG. 6

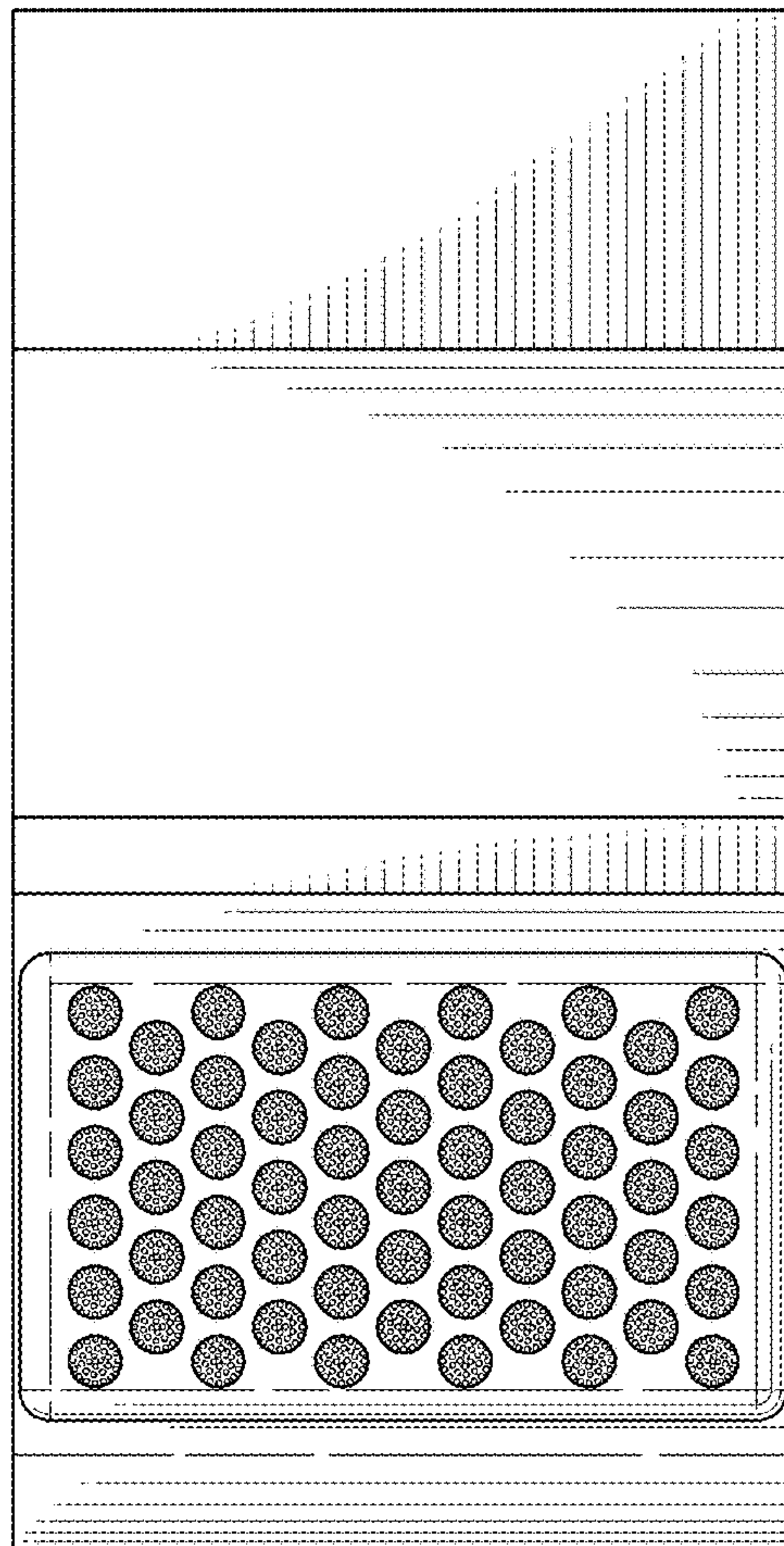


FIG. 7