



US00D850118S

(12) **United States Design Patent** (10) **Patent No.:** **US D850,118 S**
Renner et al. (45) **Date of Patent:** **** Jun. 4, 2019**

(54) **BRUSH**
(71) Applicant: **3M INNOVATIVE PROPERTIES COMPANY**, St. Paul, MN (US)
(72) Inventors: **Megan E. Renner**, St. Paul, MN (US); **Matthew D. Chaffee**, Minneapolis, MN (US); **Mark W. Baldwin**, Woodbury, MN (US); **Michael C. Mooney**, Coon Rapids, MN (US)
(73) Assignee: **3M INNOVATIVE PROPERTIES COMPANY**, St. Paul, MN (US)
(**) Term: **15 Years**
(21) Appl. No.: **29/621,584**
(22) Filed: **Oct. 10, 2017**
(51) **LOC (11) Cl.** **04-01**
(52) **U.S. Cl.**
USPC **D4/127; D4/134; D4/138**
(58) **Field of Classification Search**
USPC D4/116, 117, 118, 119, 120, 132, 134, D4/138, 130, 136, 199, 122, 137, 104, D4/129; D8/107; D32/40, 51
CPC A46B 5/02; A46B 9/02; A46B 2200/3033; A46B 2200/30
See application file for complete search history.

(56) **References Cited**
U.S. PATENT DOCUMENTS
3,199,139 A * 8/1965 Vallis A47L 17/00 15/111
D247,075 S * 1/1978 Krusche 15/111
4,826,340 A * 5/1989 Rothweiler A46B 7/04 401/205
D349,193 S * 8/1994 Sloan D32/42
D363,608 S * 10/1995 Lessmann D32/42
D373,904 S * 9/1996 Vanderhoef D4/138
D467,435 S * 12/2002 Libman D4/118
D492,119 S * 6/2004 Hay D4/127

D501,607 S * 2/2005 Hay D4/114
D517,326 S * 3/2006 Hay D4/116
D524,547 S * 7/2006 Hay D4/127
D531,814 S * 11/2006 Treacy D4/138
D565,846 S * 4/2008 Holcomb D4/114
D575,526 S * 8/2008 Libman D4/118
(Continued)

FOREIGN PATENT DOCUMENTS

CN 303002869 * 11/2014
CN 304017431 * 1/2017
WO WO-D061979-008 * 12/2002

OTHER PUBLICATIONS

“A Partner that Leads Innovation and Success,” Company Profile, Hayco Manufacturing Ltd., 4/F Citicorp Centre, 18 Whitfield Road, Causeway Bay, Hong Kong, p9 (see product HD1701217900, indicated by arrow), Jul. 29, 2005. (Year: 2005).*
(Continued)

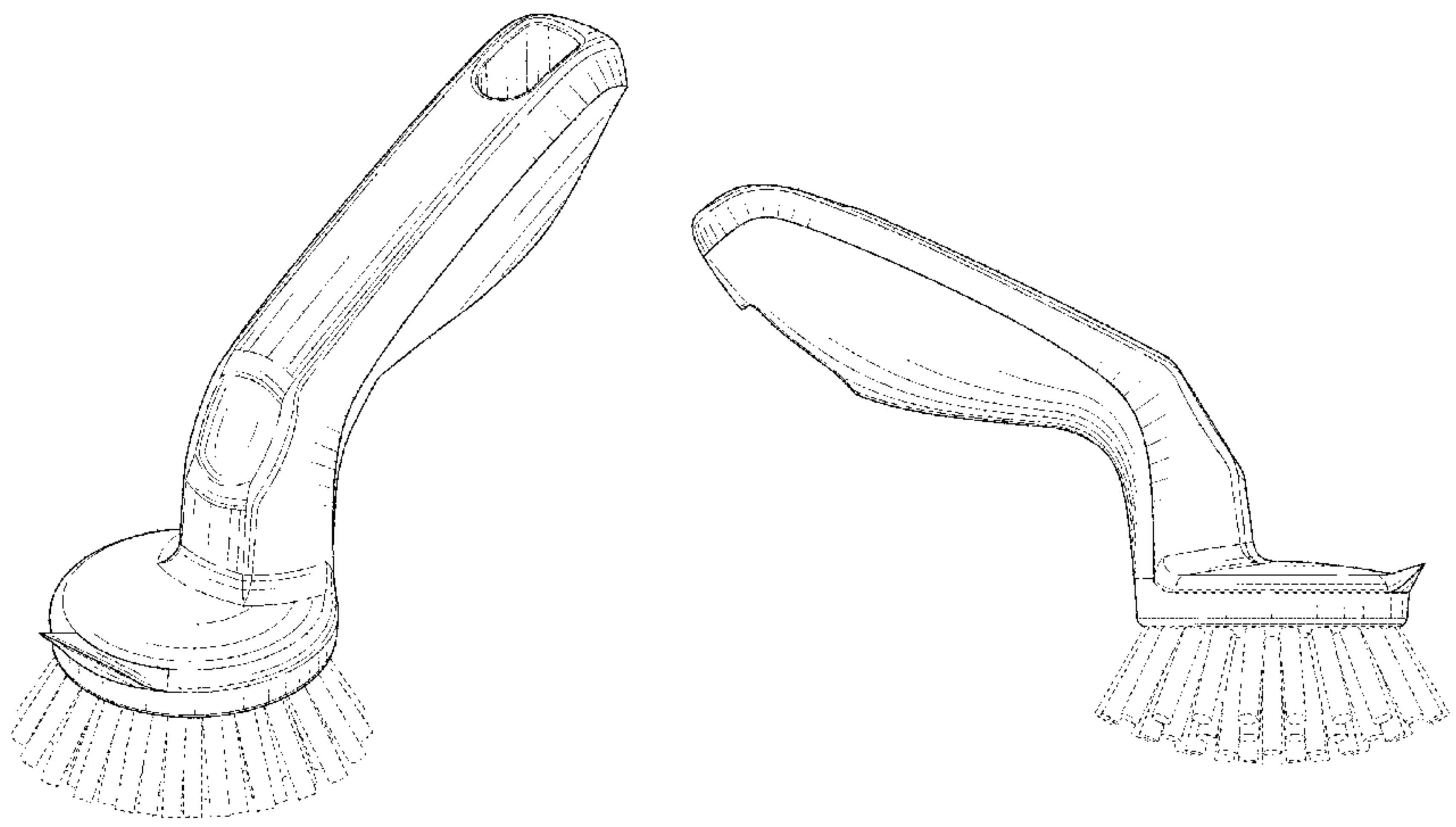
Primary Examiner — Karen E Eldridge Powers
(74) *Attorney, Agent, or Firm* — Irina Hass

(57) **CLAIM**
The ornamental design for a brush, as shown and described.

DESCRIPTION

FIG. 1 is a perspective view showing the new design for a brush;
FIG. 2 is a front elevation view of thereof;
FIG. 3 is a rear elevation view thereof;
FIG. 4 is a left side elevation view thereof;
FIG. 5 is a right side elevation view thereof;
FIG. 6 is a top plan view thereof; and,
FIG. 7 is a bottom plan view thereof.
The portions of the brush in FIGS. 1-7 shown in broken lines are included to show features that form no part of the claimed design.

1 Claim, 5 Drawing Sheets



(56)

References Cited

U.S. PATENT DOCUMENTS

D598,202 S * 8/2009 McNeil D4/132
D630,021 S * 1/2011 Libman D4/118
D660,006 S * 5/2012 Li D32/51
D719,357 S * 12/2014 Li D32/45
D744,243 S * 12/2015 Harrington D4/118

OTHER PUBLICATIONS

Lakeland Tough Scrub Washing Up Brush, Lakeland Limited, 4 pages, Jan. 27, 2018, <https://www.lakeland.co.uk/>, [http://lakelandcamel.scene7.com/is/image/LakelandCamel/25835_1?\\$800\\$](http://lakelandcamel.scene7.com/is/image/LakelandCamel/25835_1?800), [http://lakelandcamel.scene7.com/is/image/LakelandCamel/25835_2?\\$800\\$](http://lakelandcamel.scene7.com/is/image/LakelandCamel/25835_2?800), [http://lakelandcamel.scene7.com/is/image/LakelandCamel/25835_3?\\$800\\$](http://lakelandcamel.scene7.com/is/image/LakelandCamel/25835_3?800), [http://lakelandcamel.scene7.com/is/image/LakelandCamel/25835_4?\\$800\\$](http://lakelandcamel.scene7.com/is/image/LakelandCamel/25835_4?800).

* cited by examiner

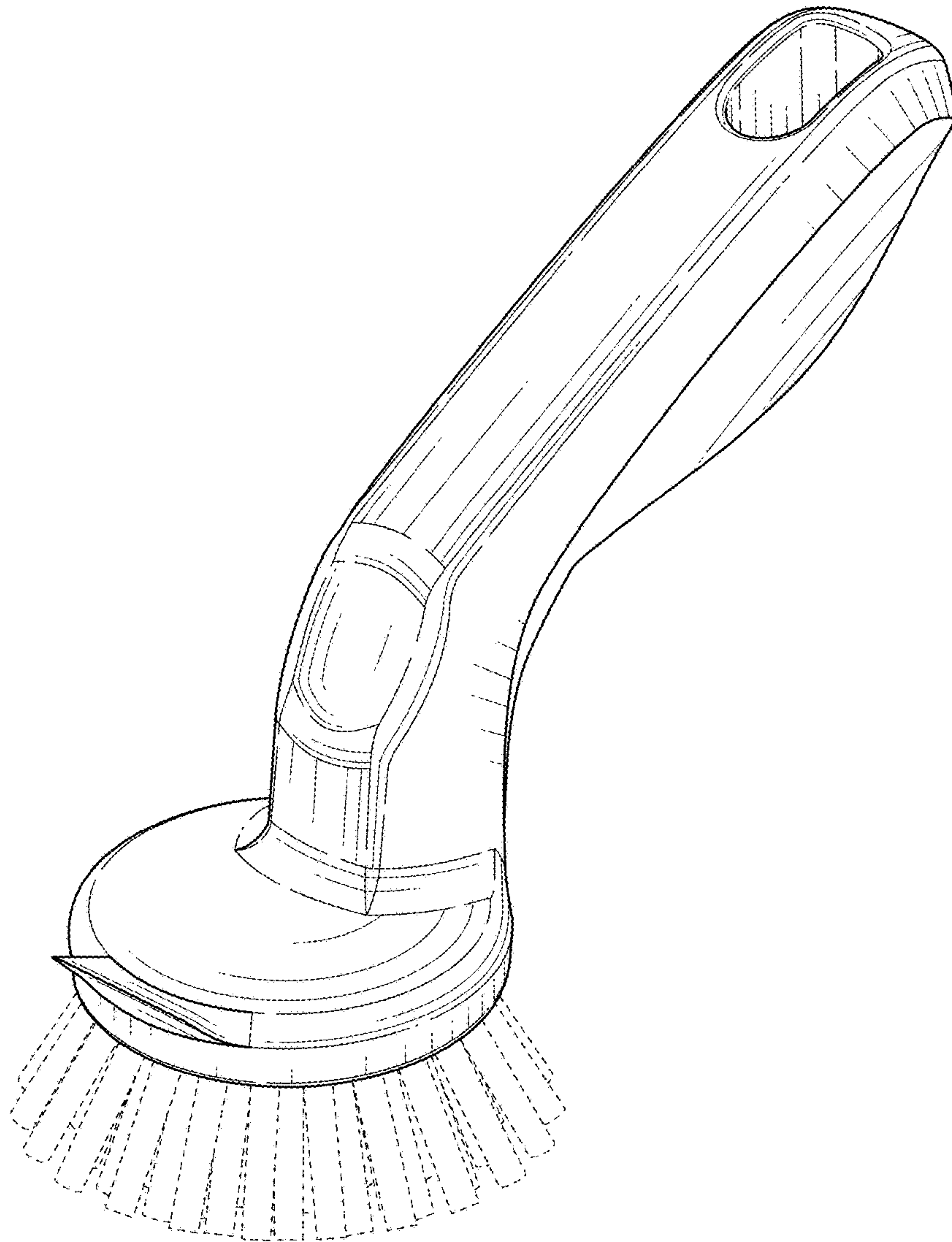


FIG. 1

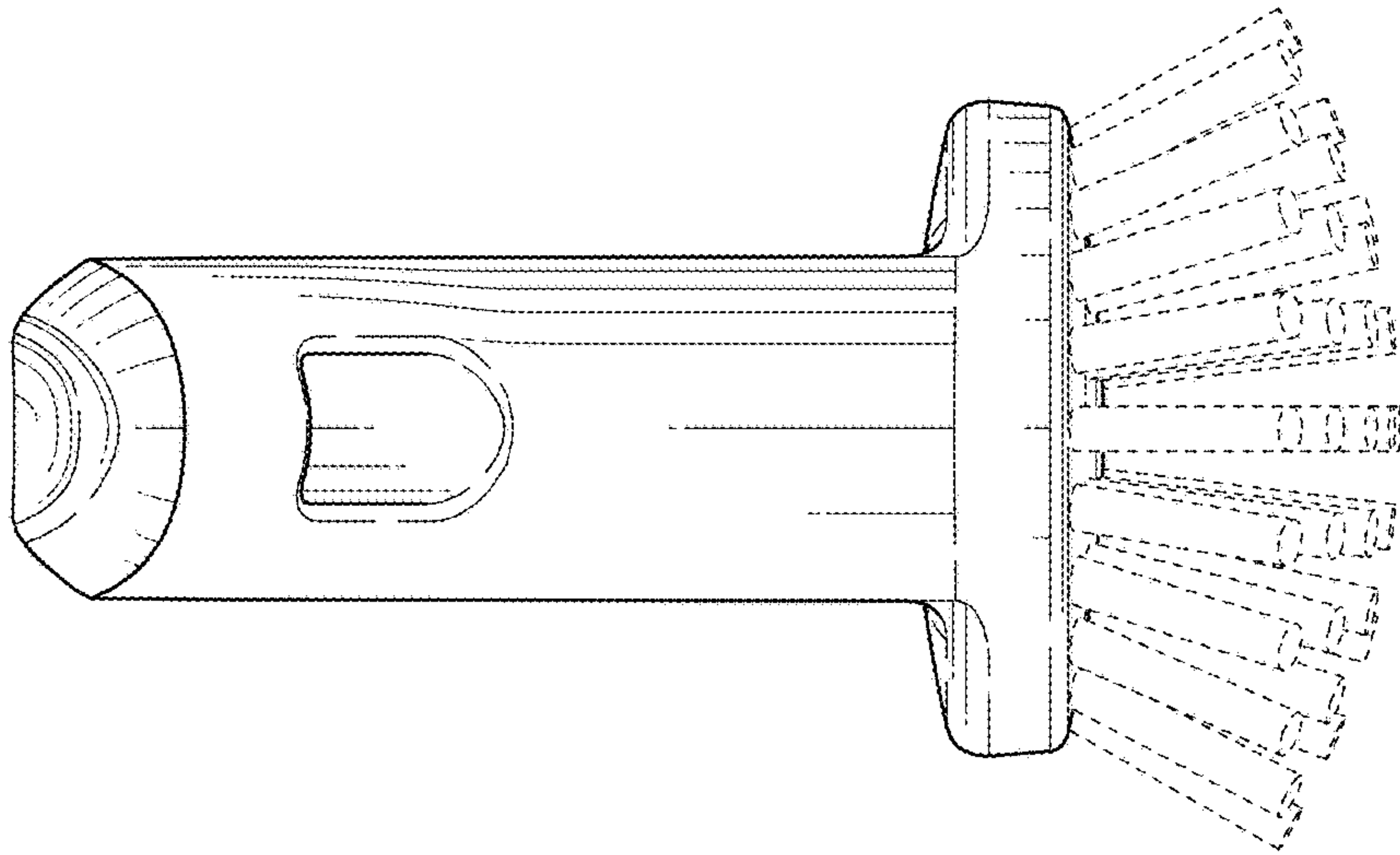


FIG. 3

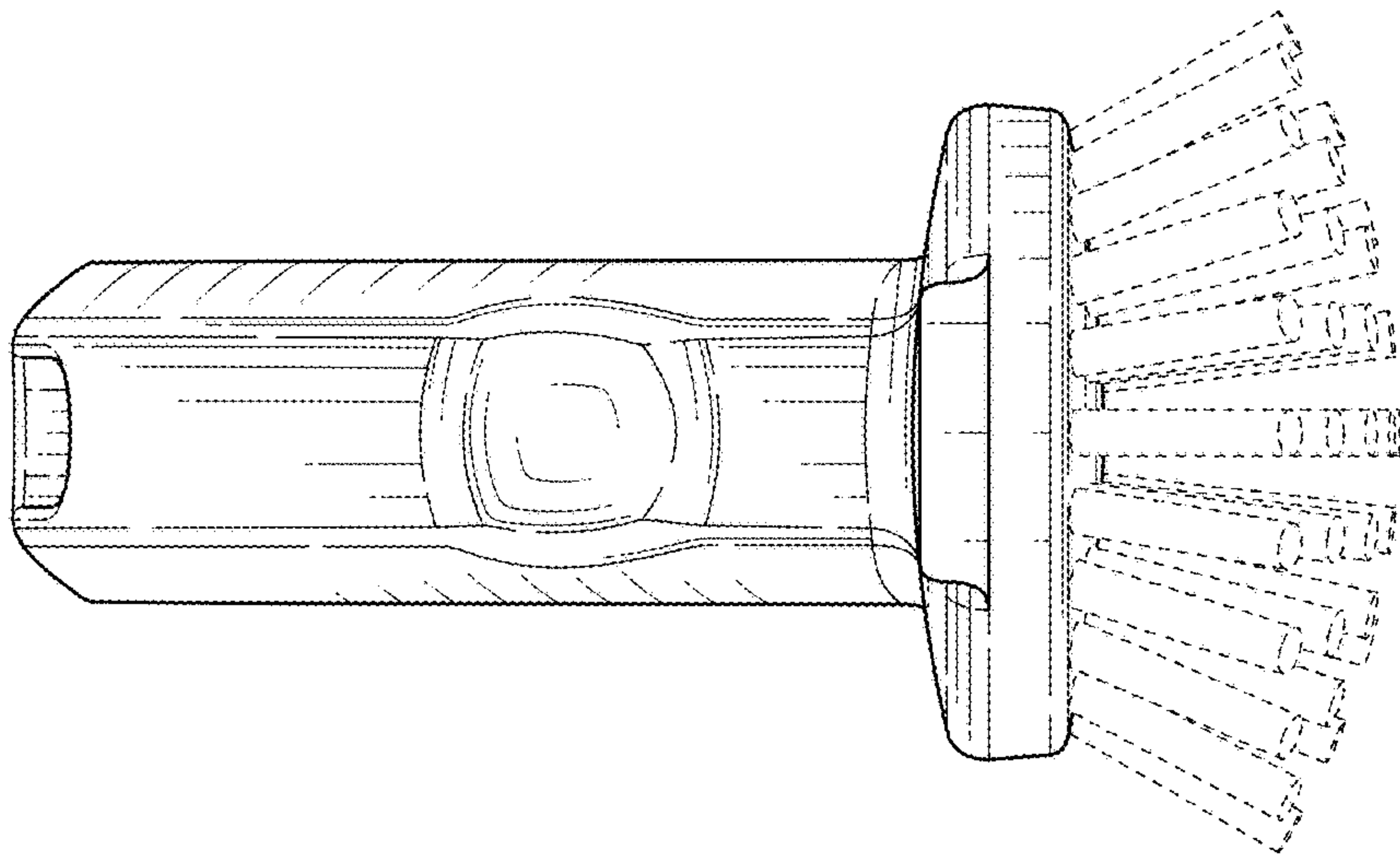


FIG. 2

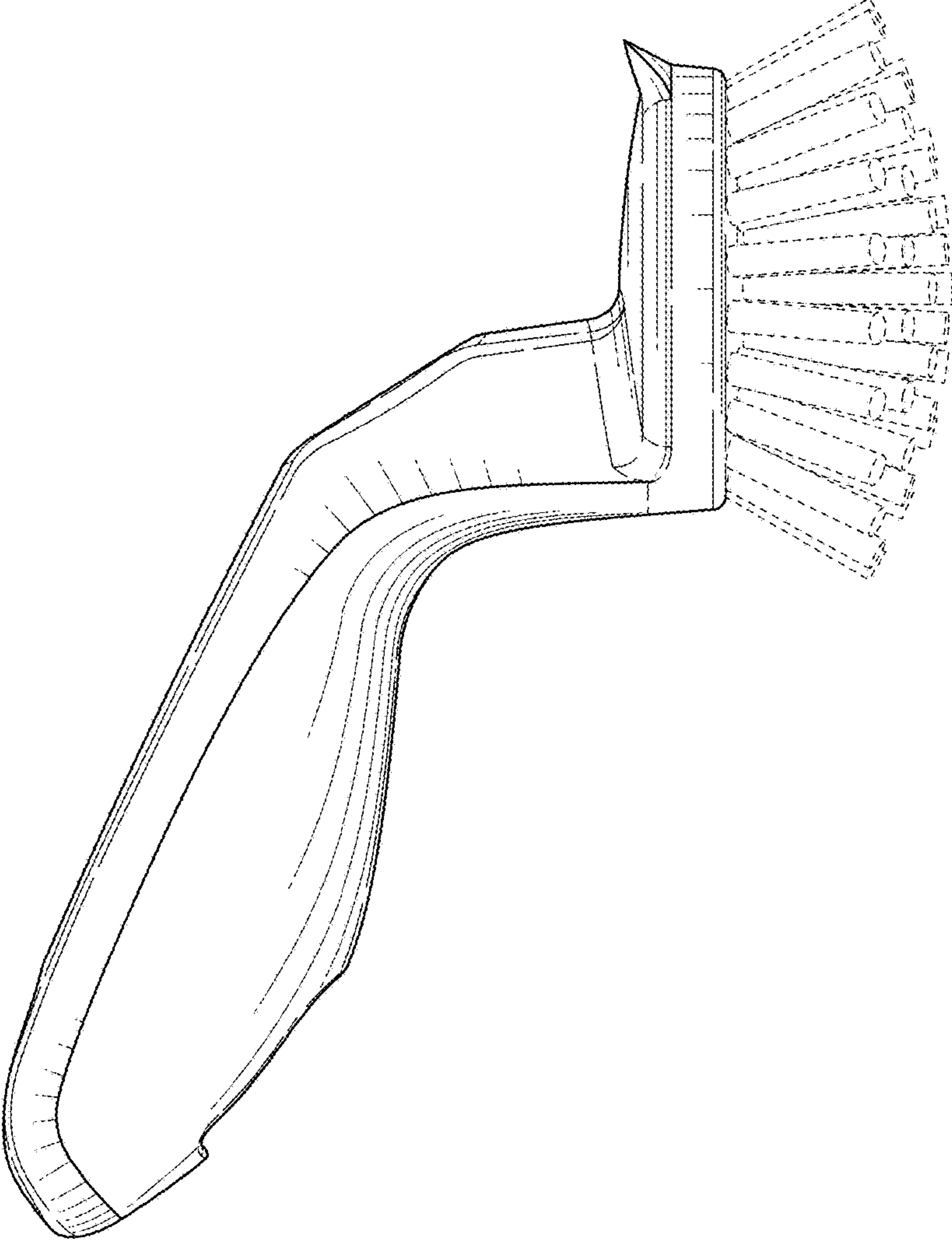


FIG. 4

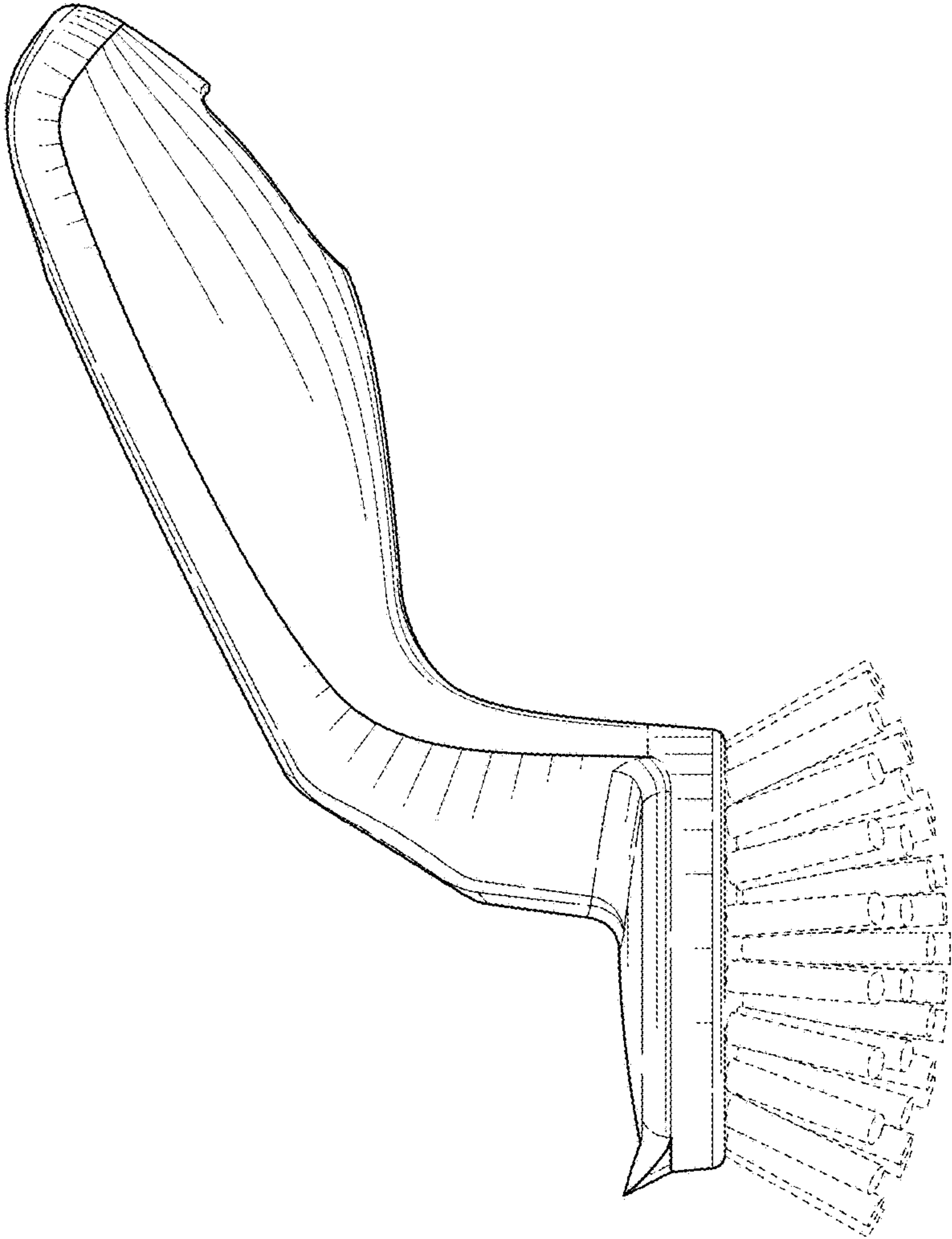


FIG. 5

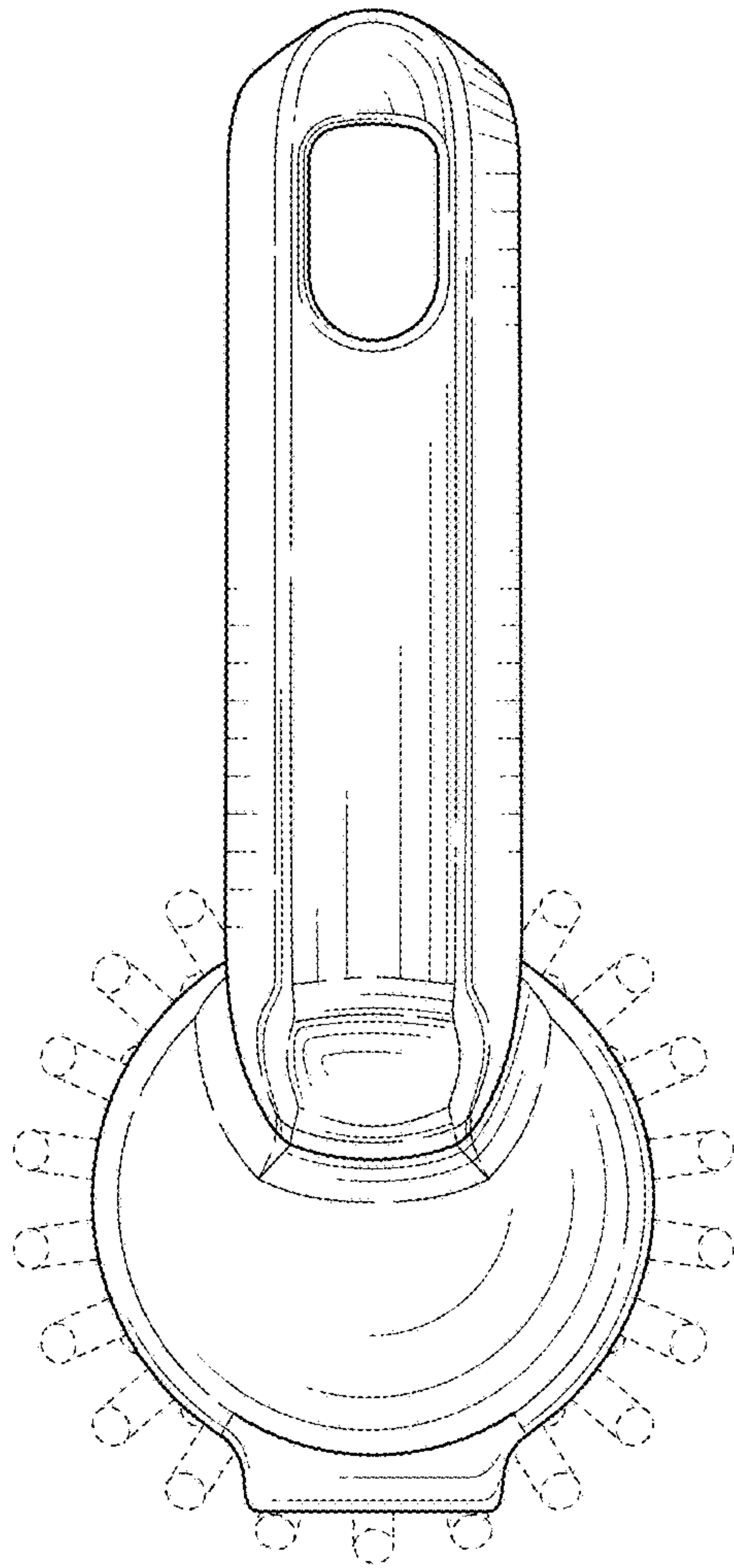


FIG. 6

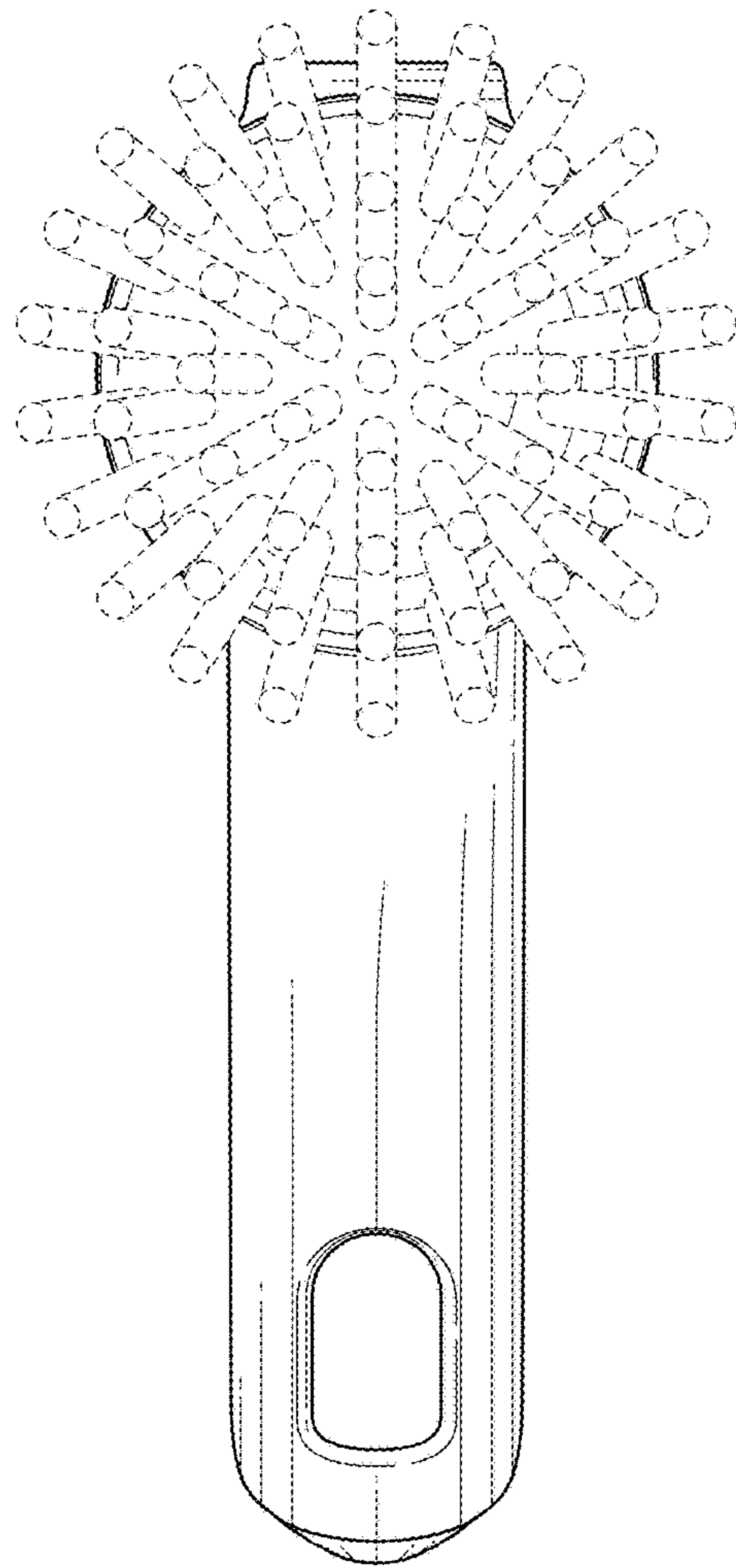


FIG. 7