



US00D850116S

(12) **United States Design Patent**  
**Schmidt**

(10) **Patent No.:** **US D850,116 S**  
(45) **Date of Patent:** **\*\* Jun. 4, 2019**

(54) **SHAVING BRUSH**

(71) Applicant: **Speed Razor, LLC**, Wyckoff, NJ (US)

(72) Inventor: **Kevin Schmidt**, Wyckoff, NJ (US)

(73) Assignee: **Speed Razor, LLC**, Wyckoff, NJ (US)

(\*\*) Term: **15 Years**

(21) Appl. No.: **29/656,536**

(22) Filed: **Jul. 13, 2018**

(51) **LOC (11) Cl.** ..... **04-01**

(52) **U.S. Cl.**  
USPC ..... **D4/114**

(58) **Field of Classification Search**

USPC ..... D4/114, 127, 138, 121, 124; D24/147;  
D8/7, 20; D9/695, 697, 454; 401/173,  
401/152, 150; 15/191.1

(Continued)

(56) **References Cited**

U.S. PATENT DOCUMENTS

1,382,347 A \* 6/1921 De Haven ..... A46B 11/0013  
401/150  
1,681,836 A \* 8/1928 Boka ..... A46B 11/0013  
401/152

(Continued)

*Primary Examiner* — Rhea Shields

(74) *Attorney, Agent, or Firm* — Richard M. Goldberg

(57) **CLAIM**

The ornamental design for a shaving brush, as shown and described.

**DESCRIPTION**

FIG. 1 is a top perspective view of the shaving brush of my design in an extended condition and in a connected state with a tube of shaving cream shown in dashed lines;

FIG. 2 is a top perspective view thereof without the tube of shaving cream;

FIG. 3 is a bottom perspective view of the shaving brush of FIG. 2;

FIG. 4 is a front elevational view of the shaving brush of FIG. 2;

FIG. 5 is a rear elevational view of the shaving brush of FIG. 2;

FIG. 6 is a right side elevational view of the shaving brush of FIG. 2;

FIG. 7 is a left side elevational view of the shaving brush of FIG. 2;

FIG. 8 is a top plan view of the shaving brush of FIG. 2;

FIG. 9 is a bottom plan view of the shaving brush of FIG. 2;

FIG. 10 is a cross-sectional view thereof, taken along line 10-10 of FIG. 4;

FIG. 11 is a top perspective view of the shaving brush of FIG. 2 in a retracted condition;

FIG. 12 is a bottom perspective view of the shaving brush of FIG. 11;

FIG. 13 is a top perspective view of the shaving brush of FIG. 1, also showing the shaving bristles in dashed lines;

FIG. 14 is a top perspective view of the shaving brush of FIG. 2, also showing the shaving bristles in dashed lines;

FIG. 15 is a bottom perspective view of the shaving brush of FIG. 3, also showing the shaving bristles in dashed lines;

FIG. 16 is a front elevational view of the shaving brush of FIG. 4, also showing the shaving bristles in dashed lines;

FIG. 17 is a rear elevational view of the shaving brush of FIG. 5, also showing the shaving bristles in dashed lines;

FIG. 18 is a right side elevational view of the shaving brush of FIG. 6, also showing the shaving bristles in dashed lines;

FIG. 19 is a left side elevational view of the shaving brush of FIG. 7, also showing the shaving bristles in dashed lines;

FIG. 20 is a top plan view of the shaving brush of FIG. 8, also showing the shaving bristles in dashed lines;

FIG. 21 is a bottom plan view of the shaving brush of FIG. 9, also showing the shaving bristles in dashed lines;

FIG. 22 is a cross-sectional view thereof, taken along line 22-22 of FIG. 16;

FIG. 23 is a top perspective view of the shaving brush of FIG. 14 in a retracted condition, showing the shaving bristles in dashed lines; and,

(Continued)

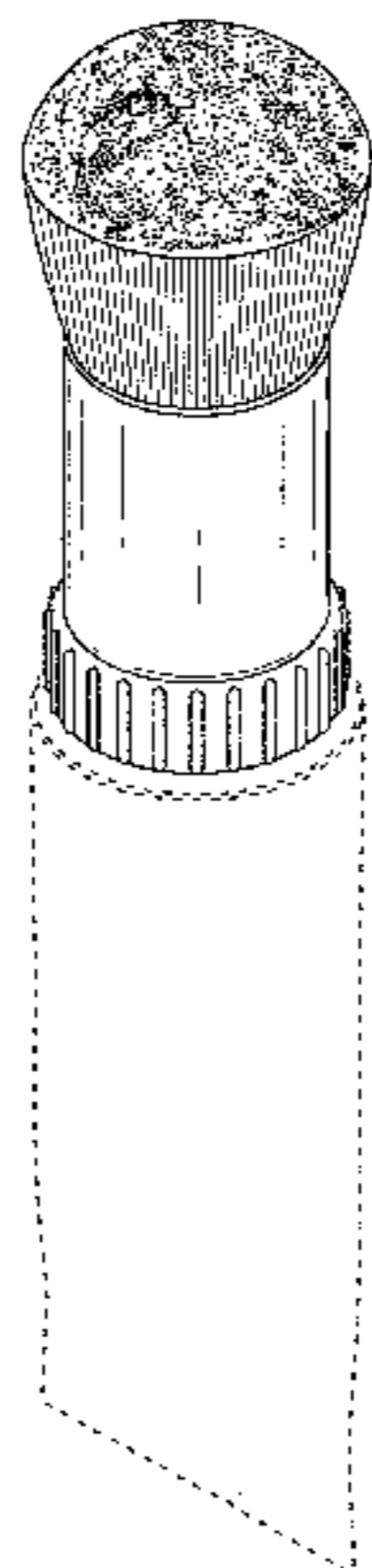


FIG. 24 is a bottom perspective view of the shaving brush of FIG. 23, showing the shaving bristles in dashed lines. In the drawings, the broken lines are for the purpose of illustrating environment only and form no part of the claimed design.

**1 Claim, 12 Drawing Sheets**

(58) **Field of Classification Search**

CPC ..... A46B 15/00; A46B 11/0013; A45D 40/04  
See application file for complete search history.

(56) **References Cited**

U.S. PATENT DOCUMENTS

1,749,309 A \* 3/1930 Beck ..... A46B 15/00  
15/191.1  
1,872,853 A \* 8/1932 Von Hohenhoff ..... A45D 40/04  
401/173

D286,468 S \* 11/1986 Fuchs ..... D4/114  
D289,109 S \* 4/1987 Buecheler ..... D4/114  
D307,191 S \* 4/1990 Blutenthal ..... D28/7  
D371,459 S \* 7/1996 Cameron ..... D4/114  
D420,591 S \* 2/2000 Nahum-Albright ..... D9/454  
D442,369 S \* 5/2001 Damiano ..... D4/127  
D450,884 S \* 11/2001 Yoshida ..... D28/20  
D481,166 S \* 10/2003 Angeletta ..... D28/7  
D497,259 S \* 10/2004 Lion ..... D4/127  
D527,489 S \* 8/2006 Angeletta ..... D28/7  
D527,842 S \* 9/2006 Angeletta ..... D28/7  
D567,509 S \* 4/2008 Kao ..... D4/121  
D662,591 S \* 6/2012 Rajaiah ..... D24/147  
D666,920 S \* 9/2012 Chen ..... D9/697  
D675,538 S \* 2/2013 Jeong ..... D9/695  
D677,470 S \* 3/2013 Floyd ..... D4/127  
D681,958 S \* 5/2013 Cavazos Jimenez ..... D4/127  
D738,629 S \* 9/2015 Robbins ..... D4/124  
D781,592 S \* 3/2017 Kaicker ..... D4/127  
D787,191 S \* 5/2017 Hwang ..... D4/127  
D787,193 S \* 5/2017 Hwang ..... D4/127  
D827,310 S \* 9/2018 Allenback ..... D4/138

\* cited by examiner

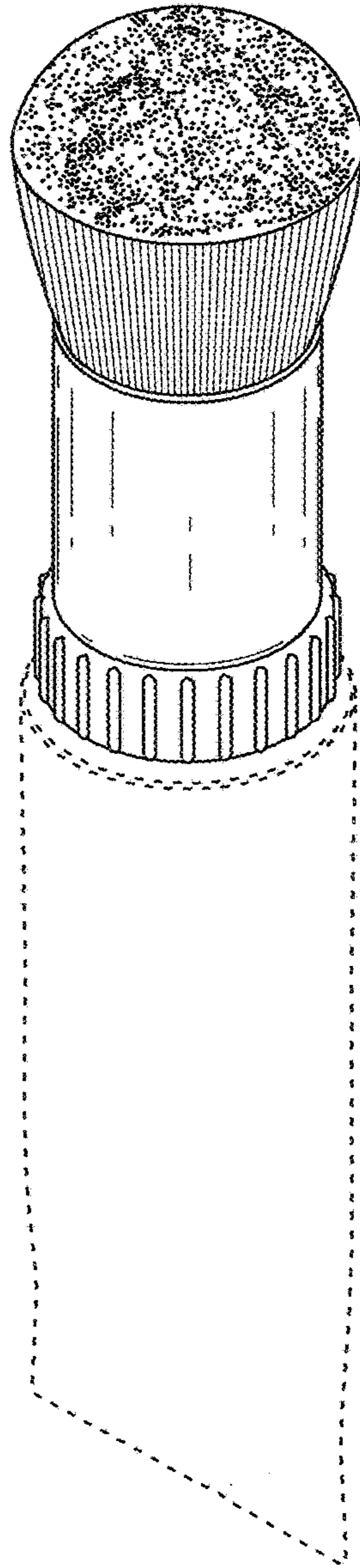


FIG. 1

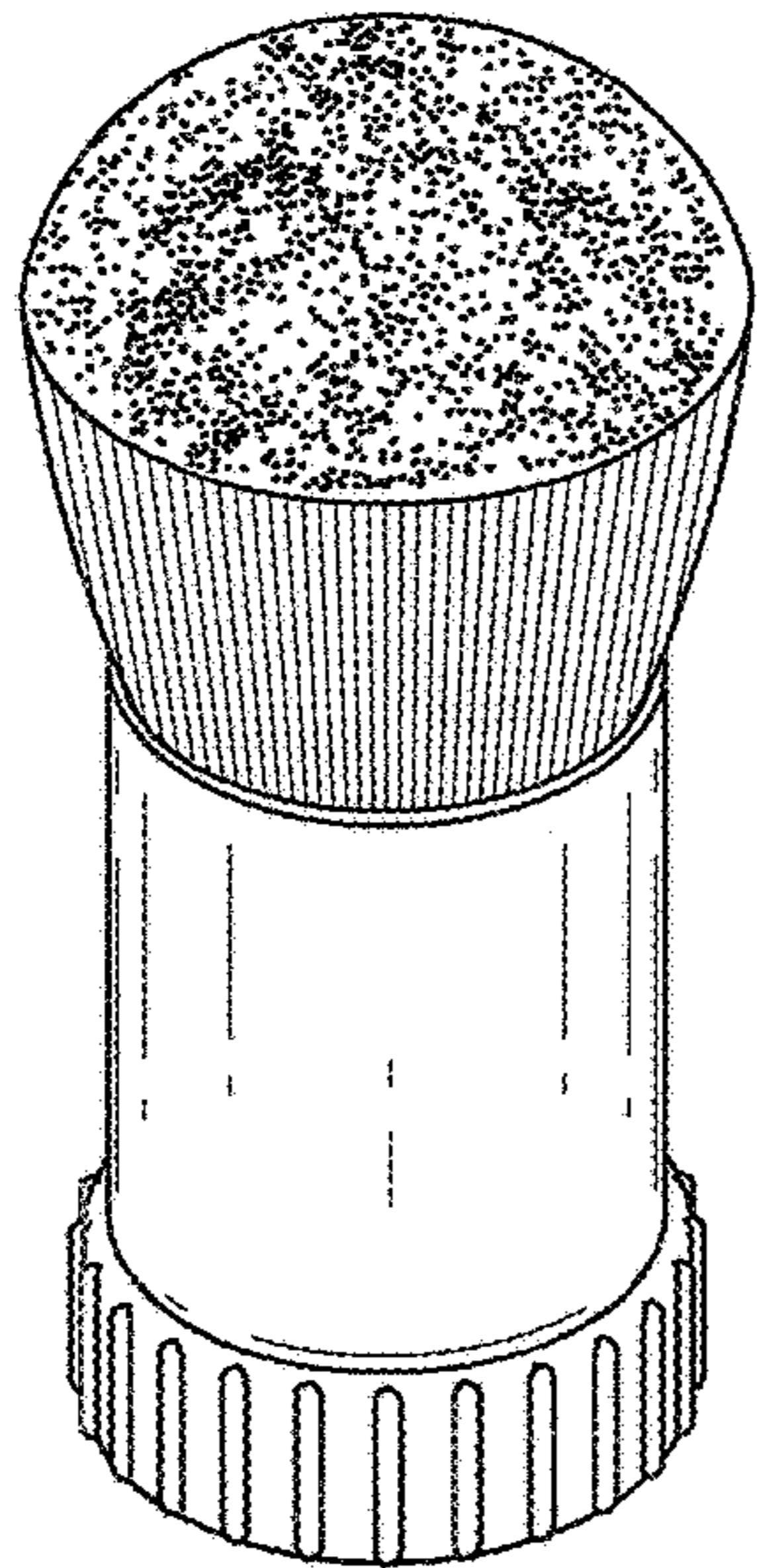


FIG. 2

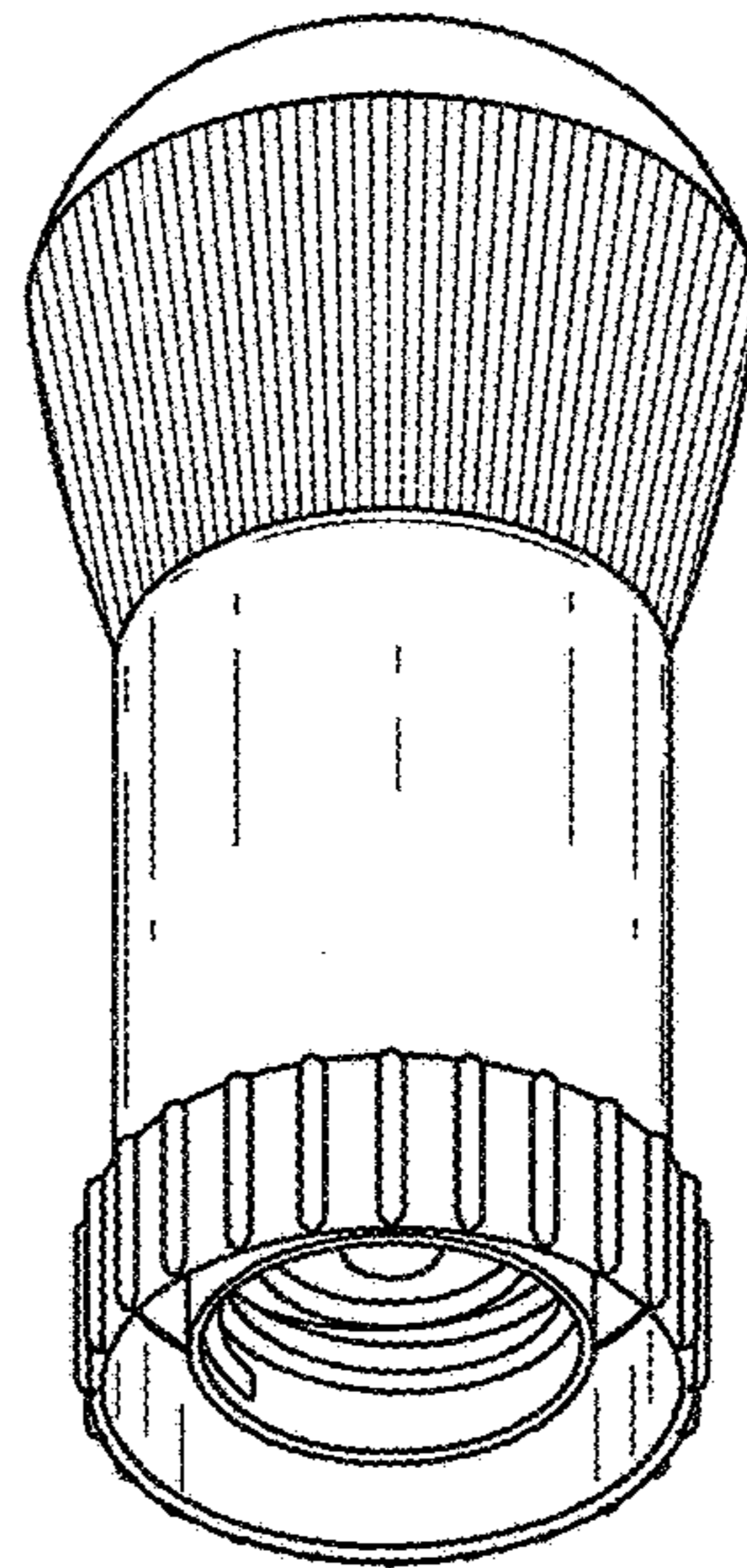


FIG. 3

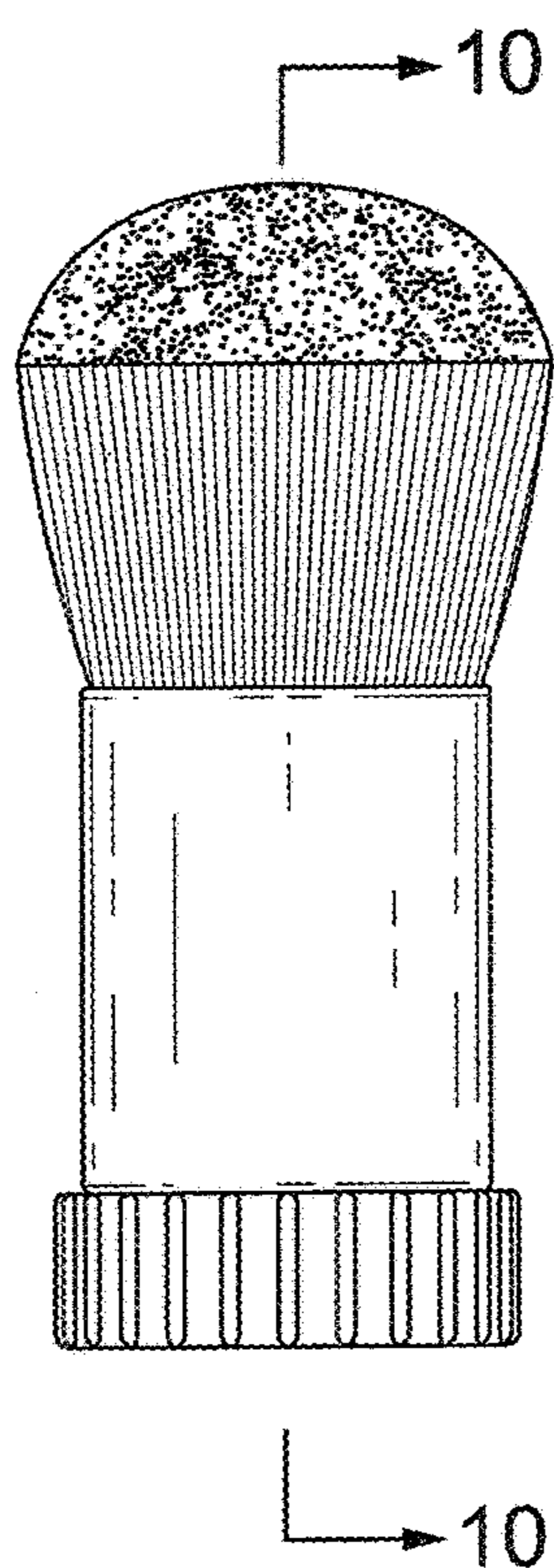


FIG. 4

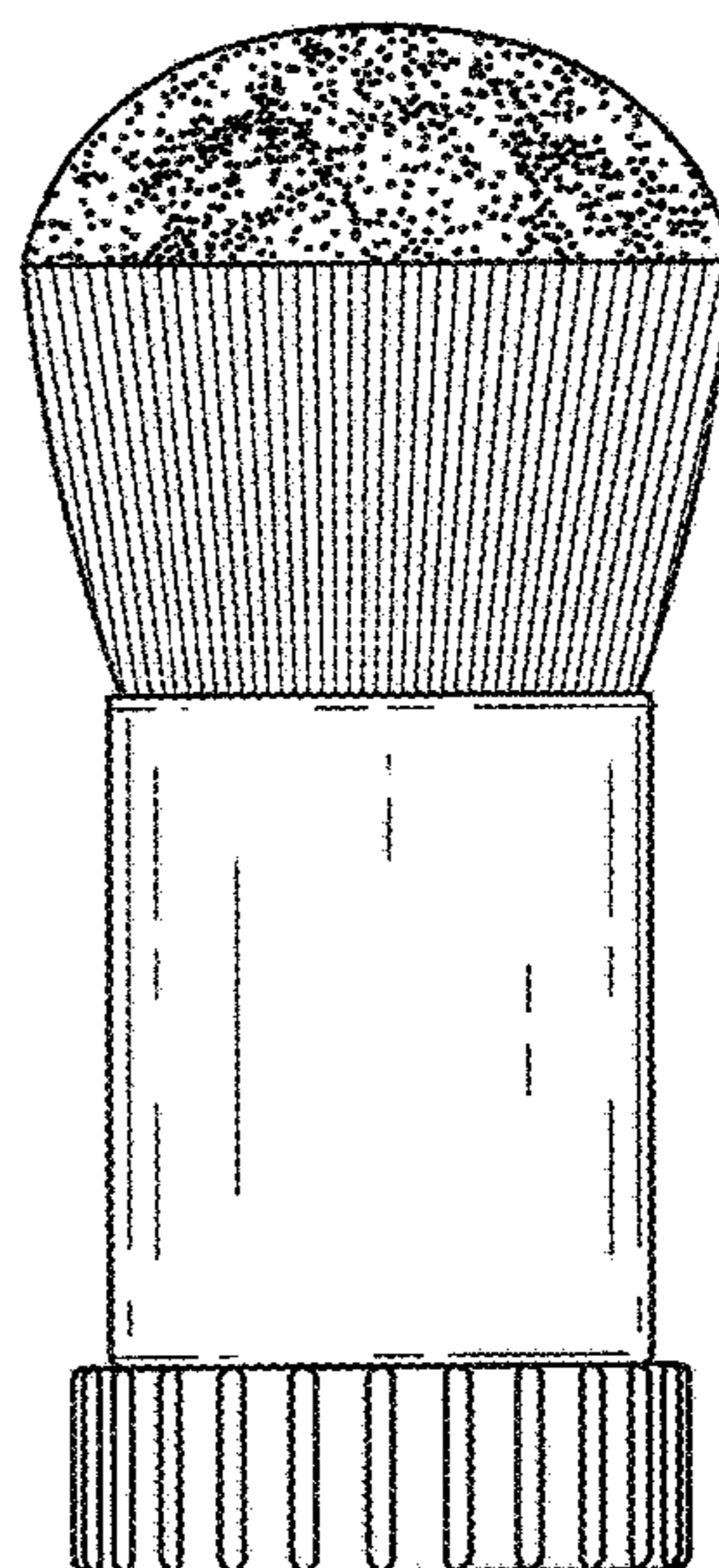


FIG. 5

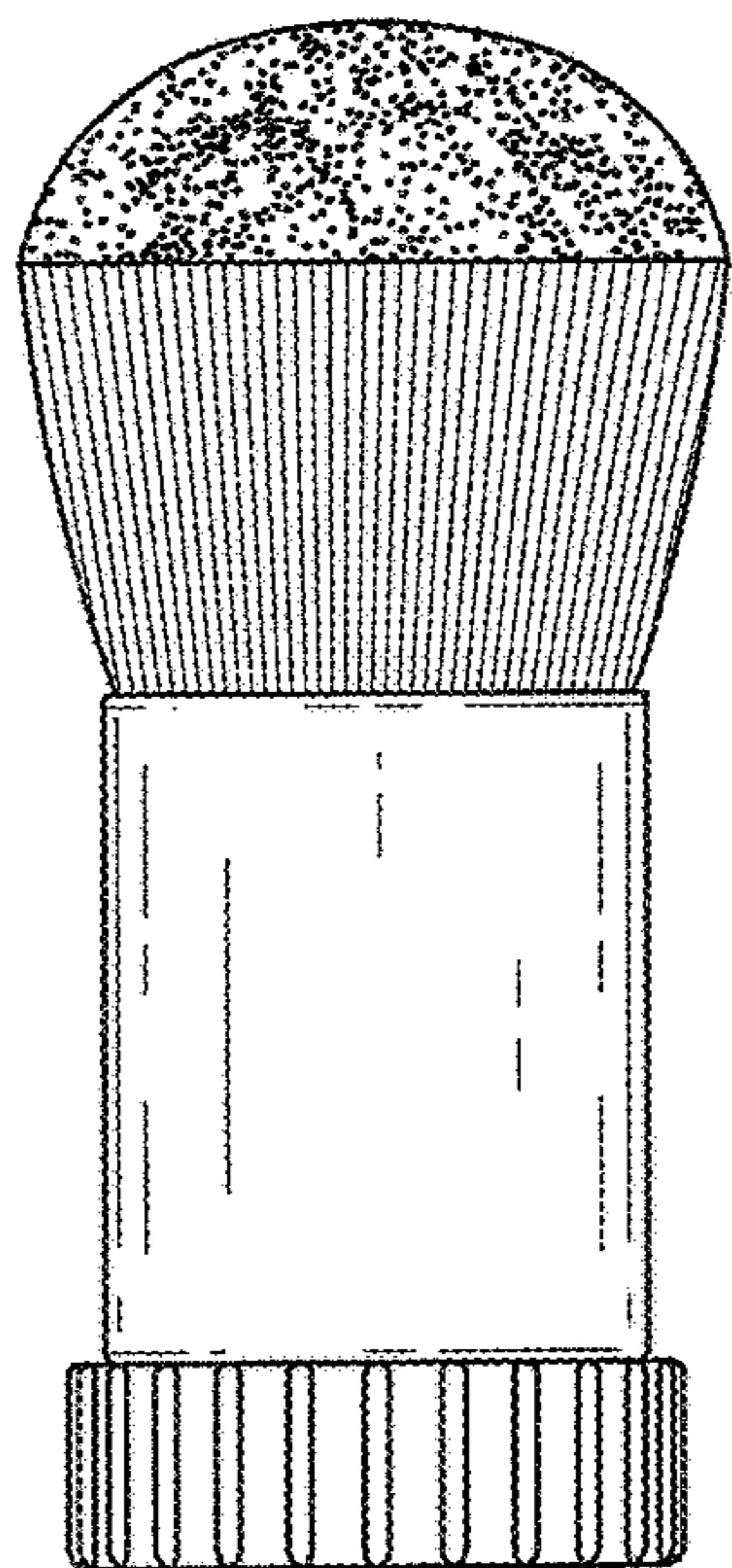


FIG. 6

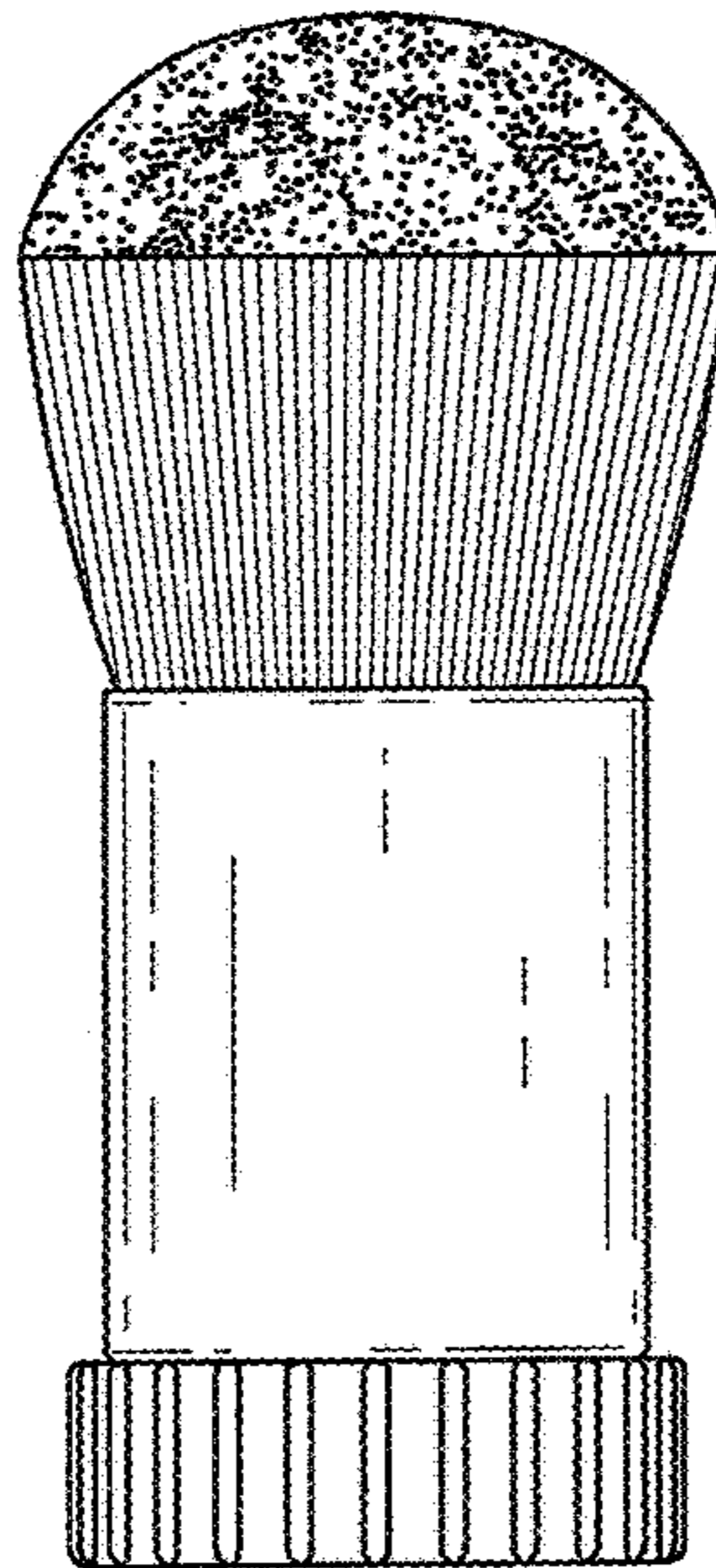


FIG. 7

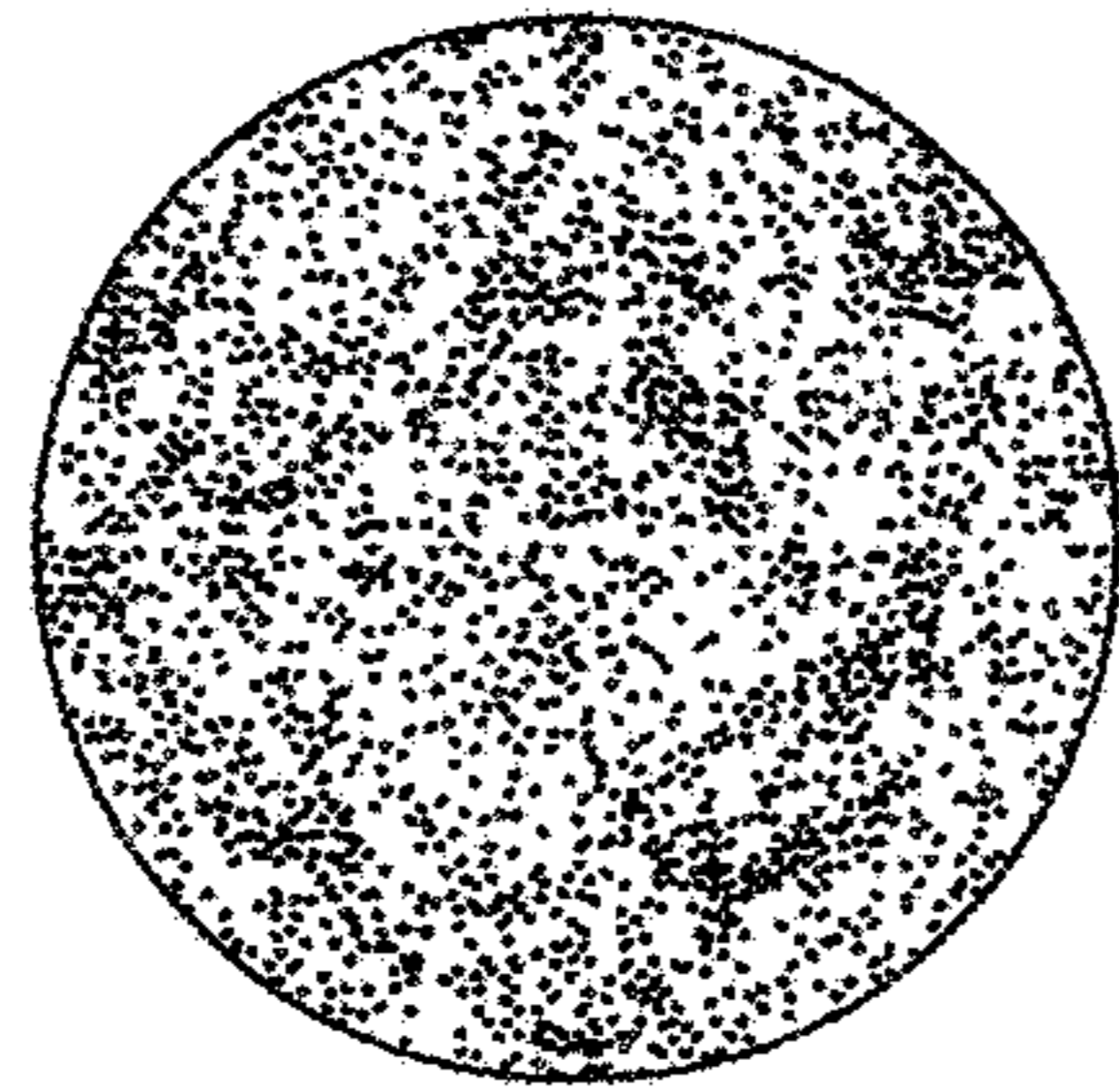


FIG. 8

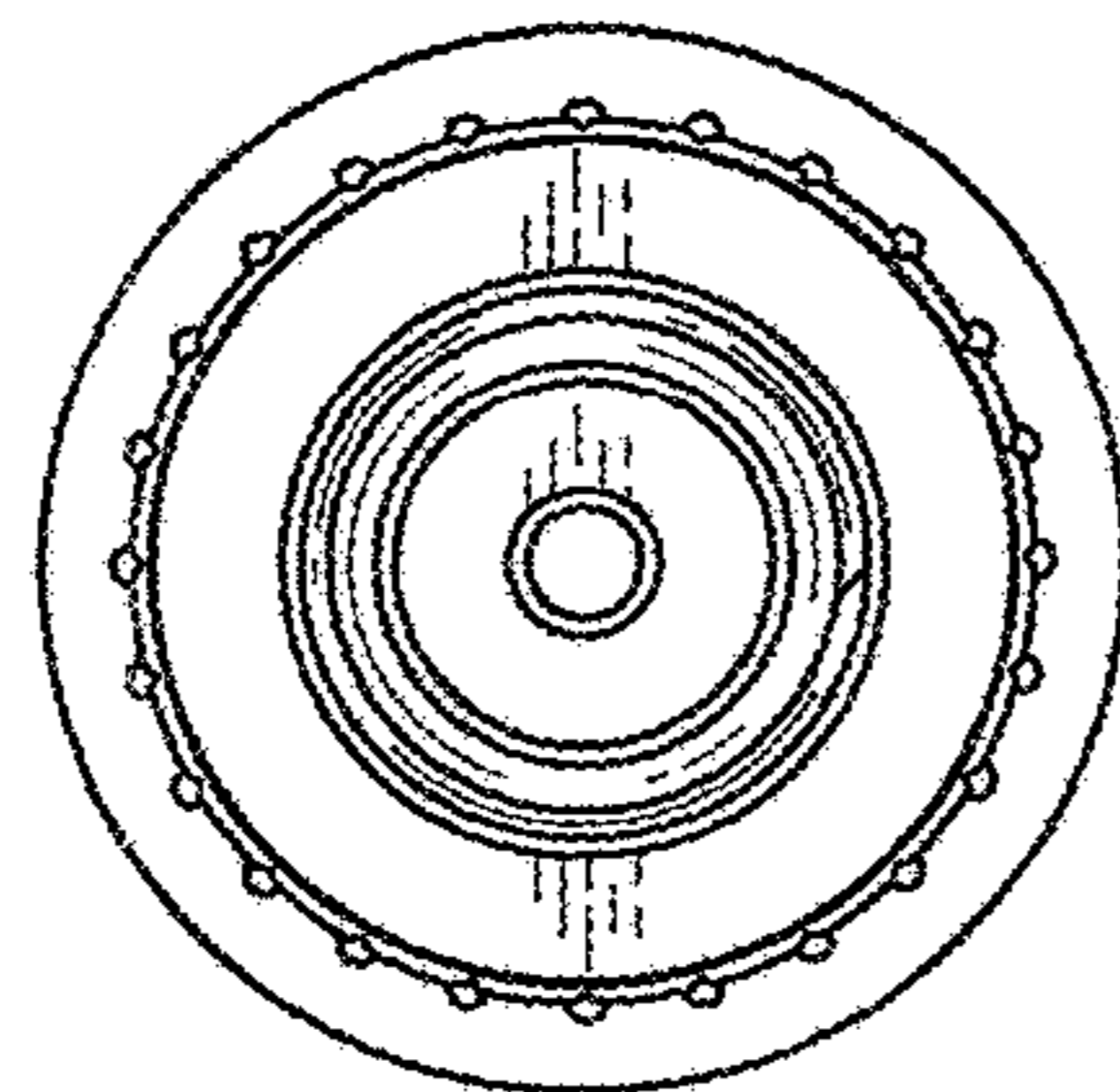


FIG. 9

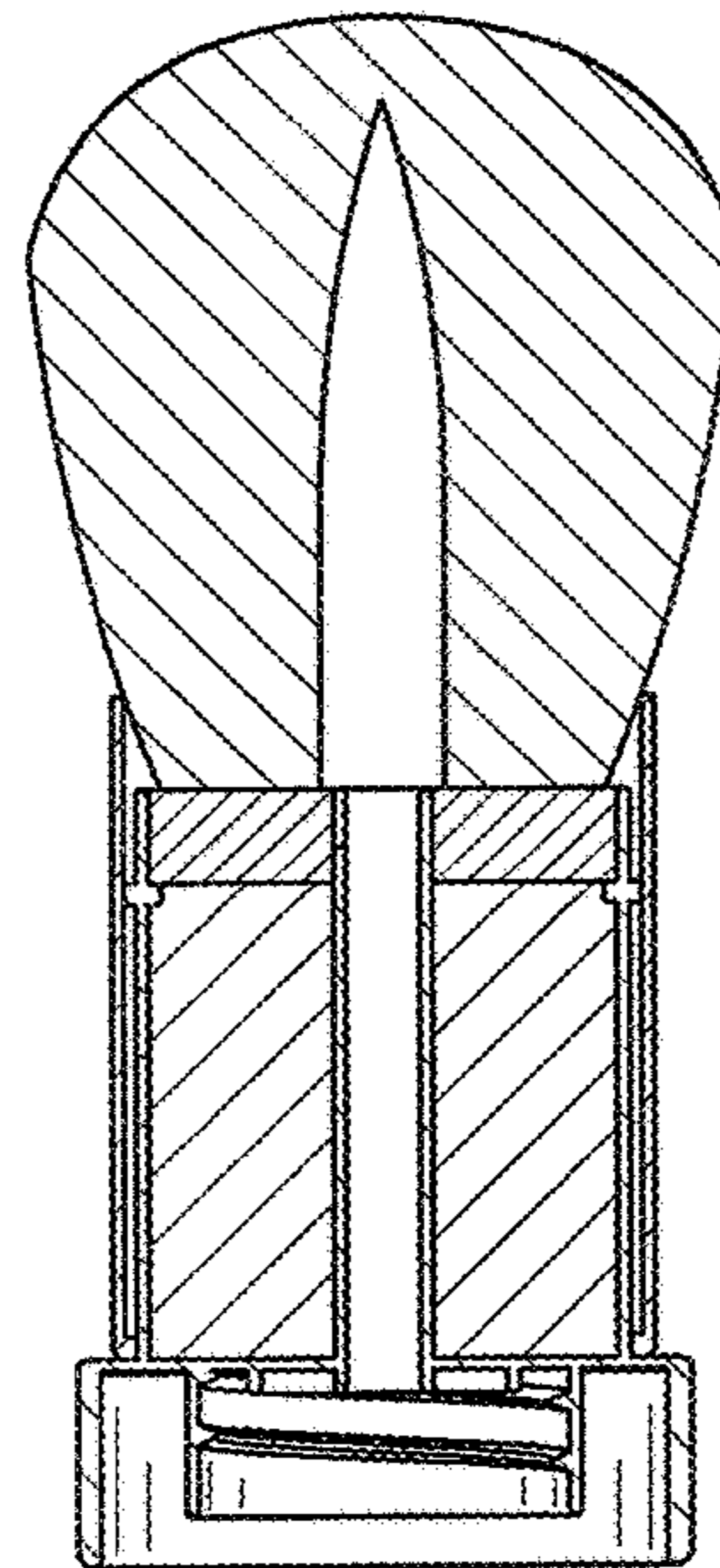


FIG. 10

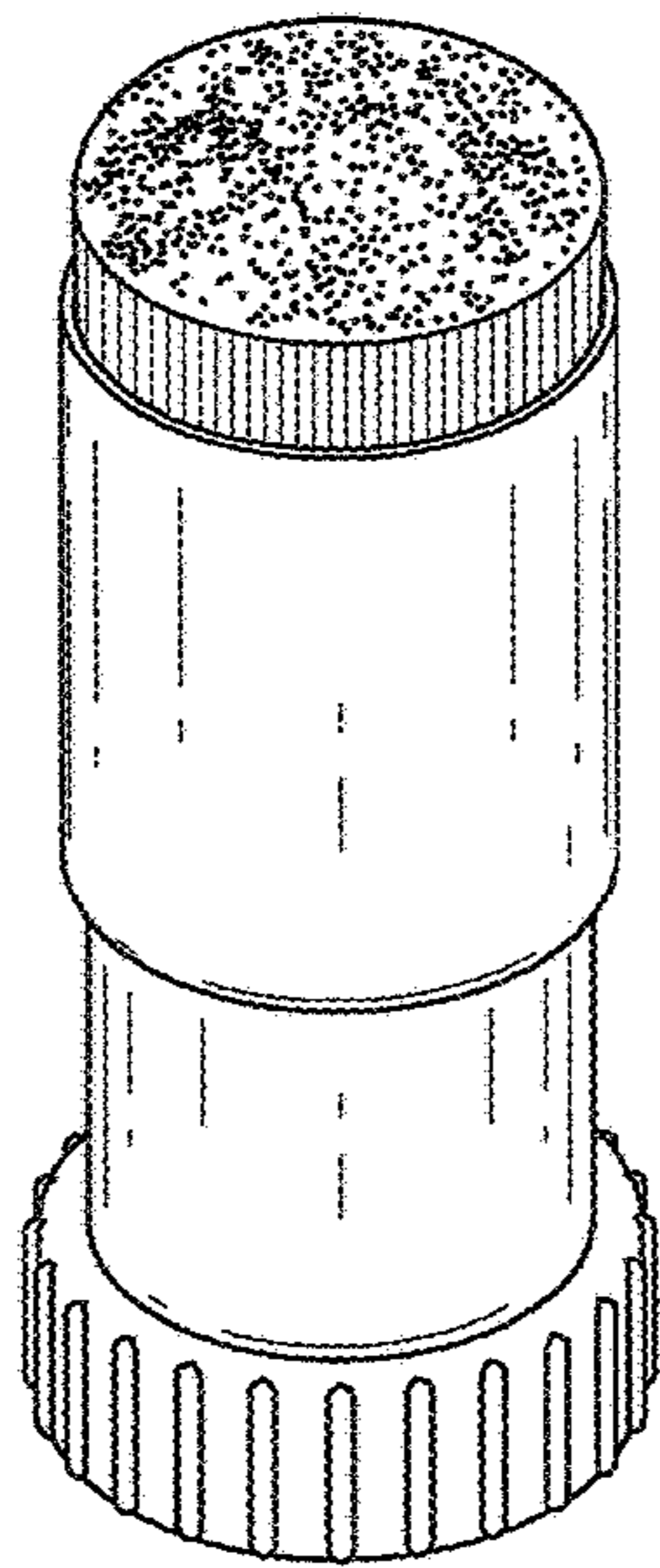


FIG. 11

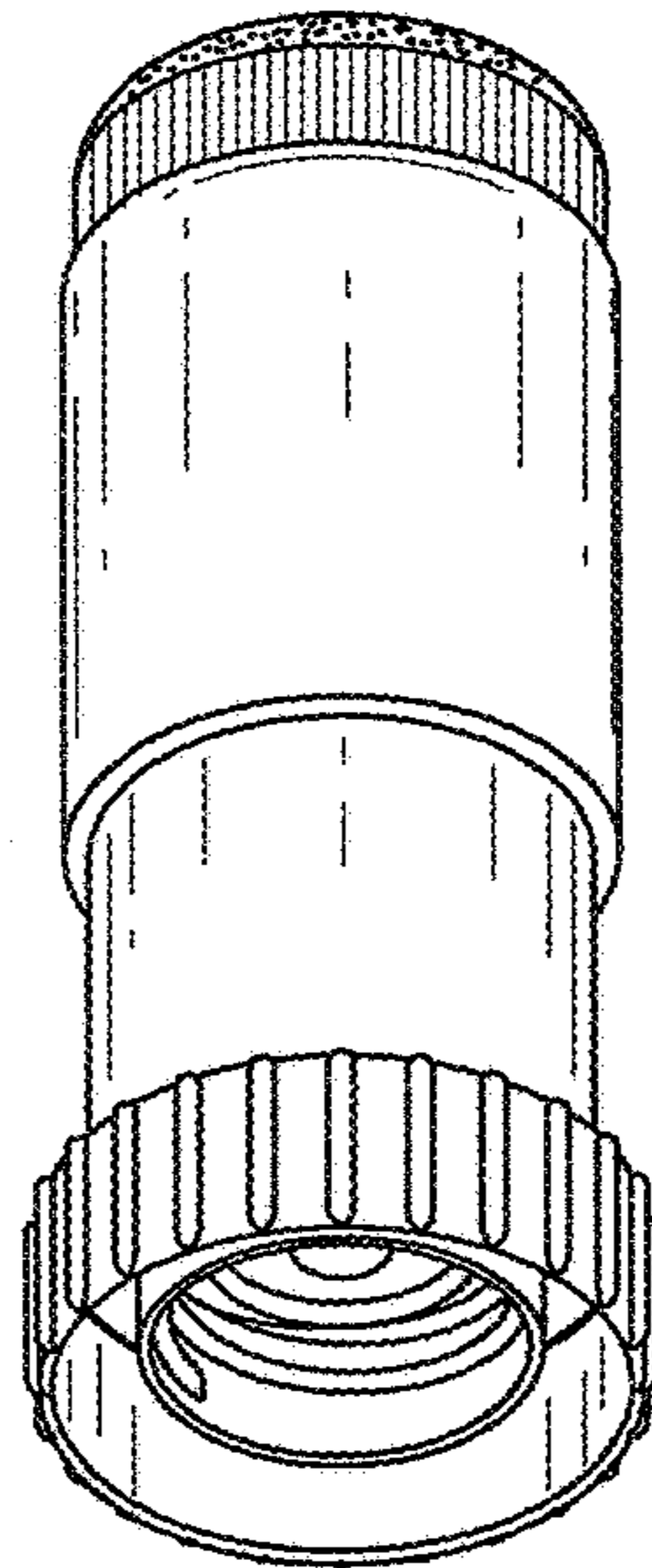


FIG. 12



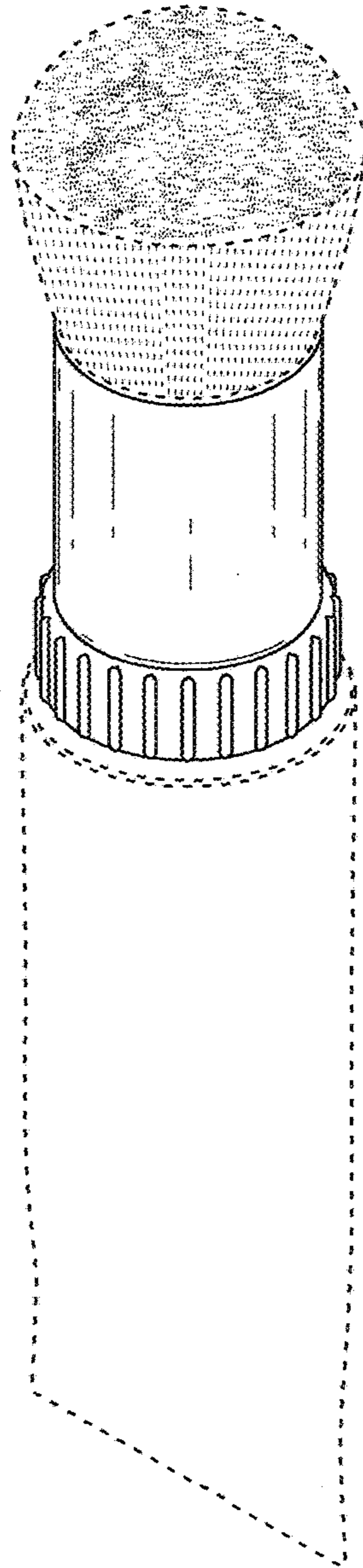


FIG. 13

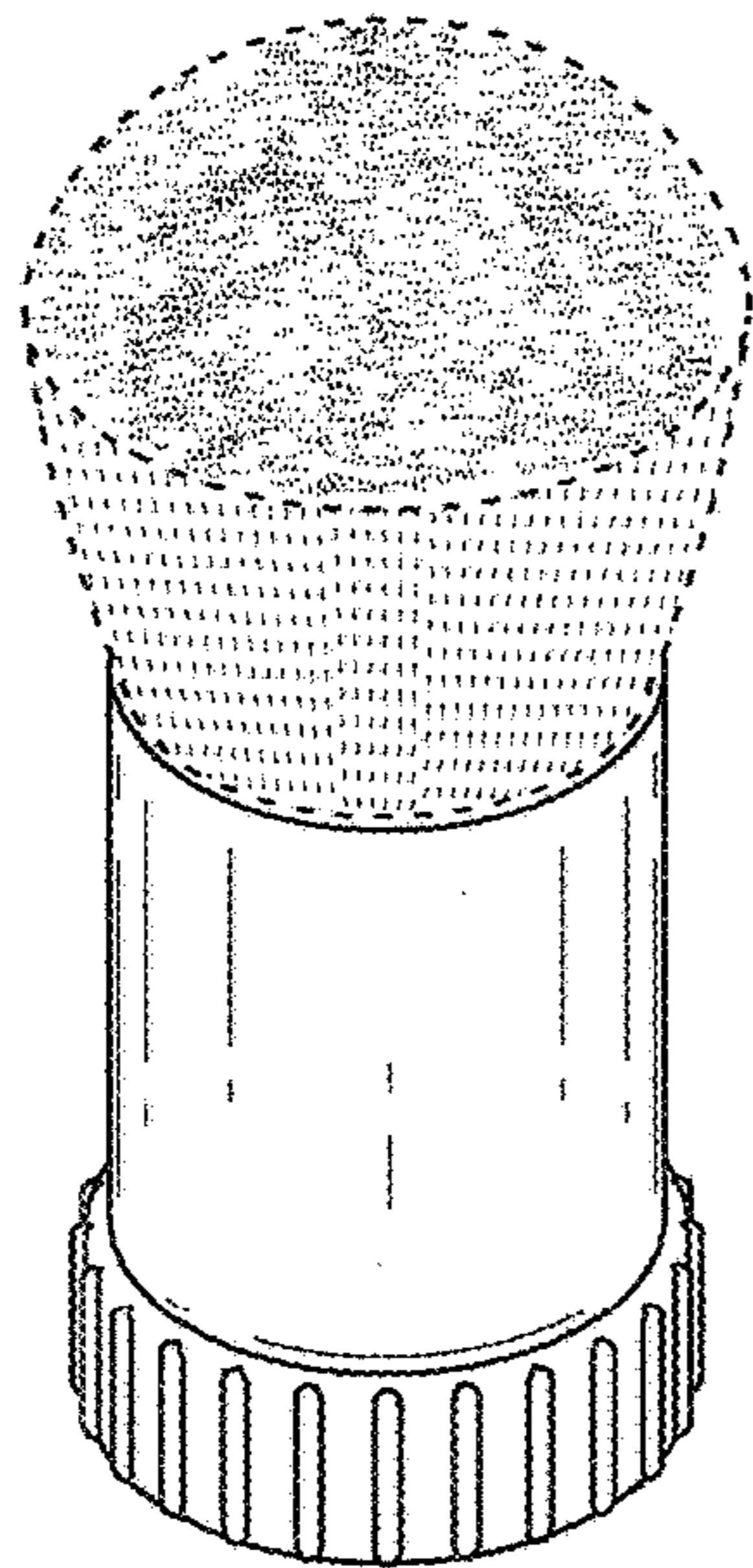


FIG. 14

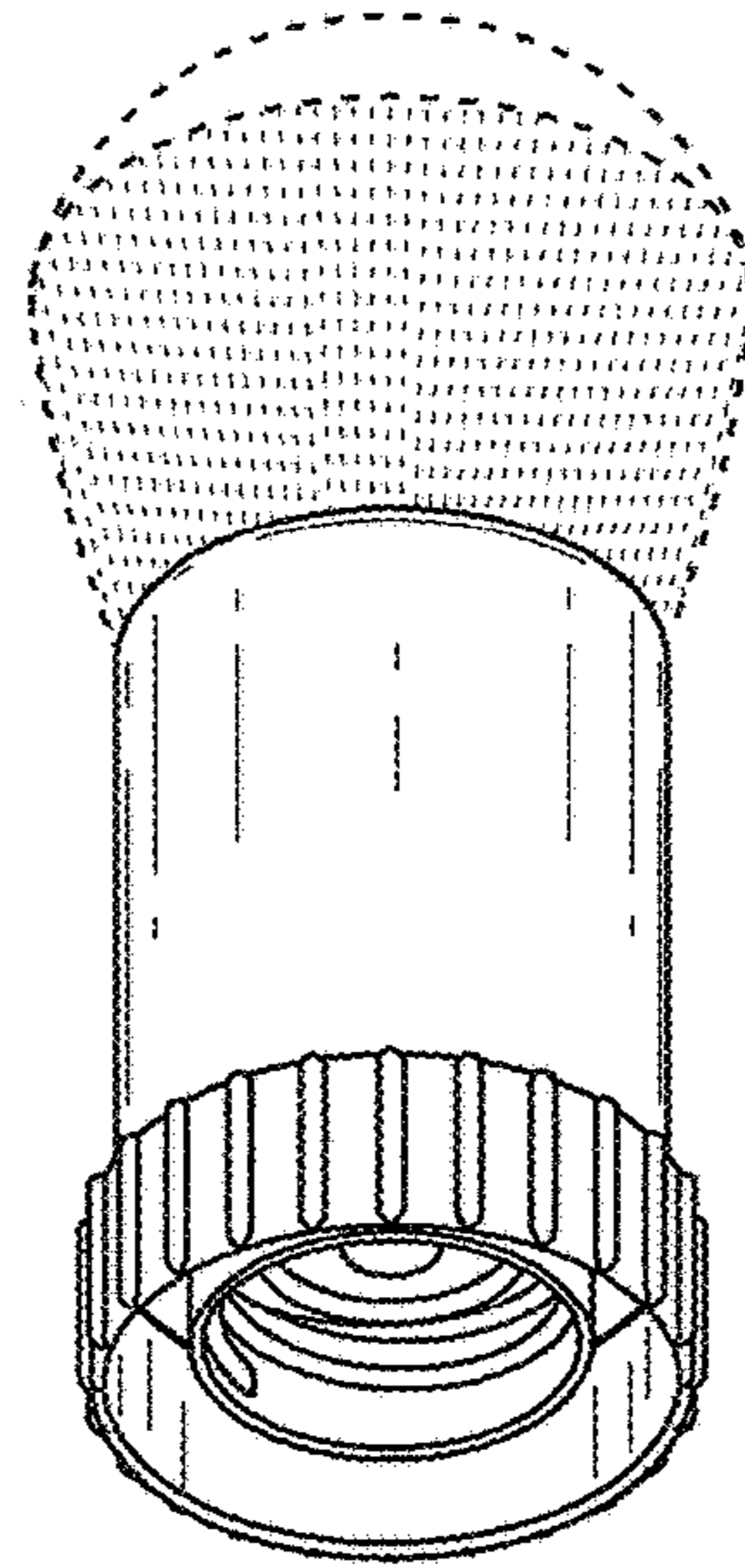


FIG. 15

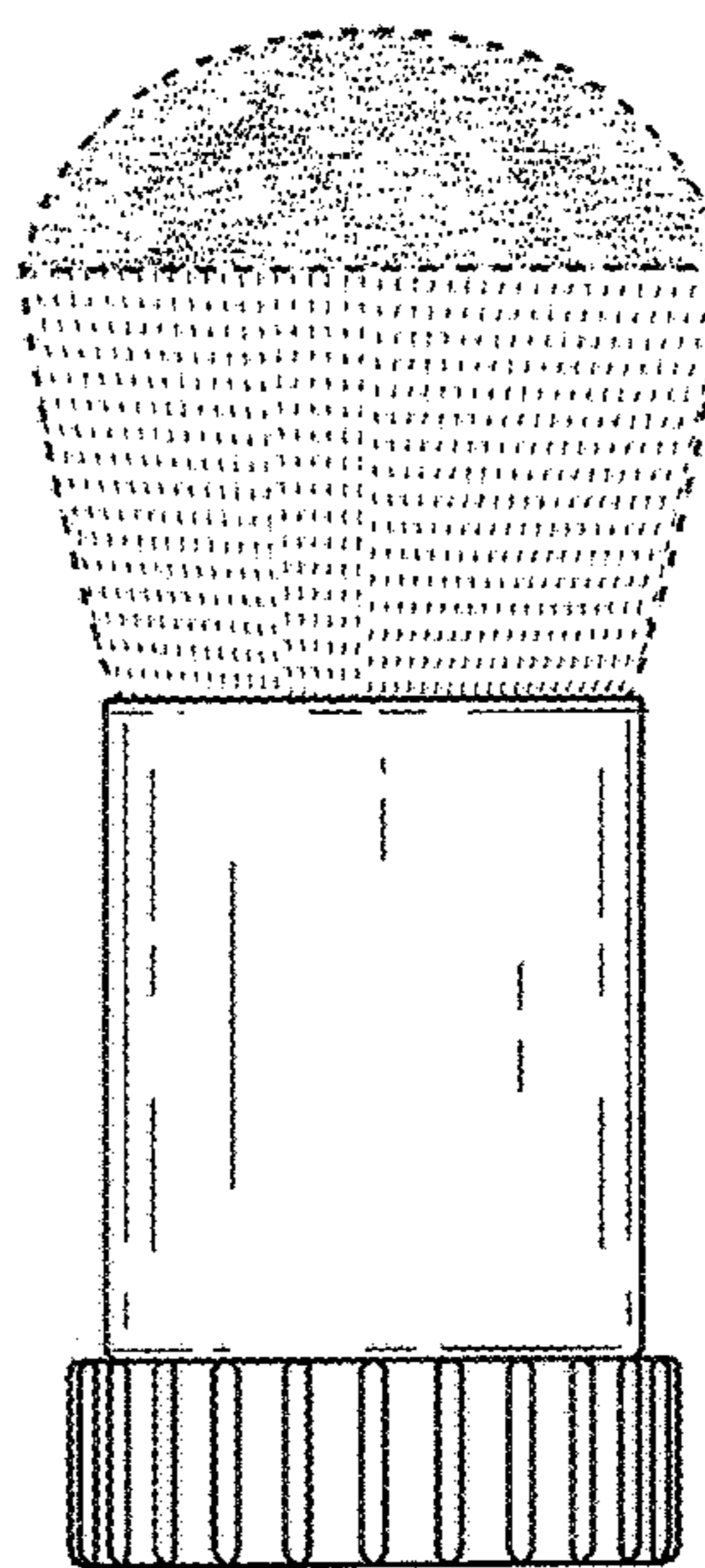
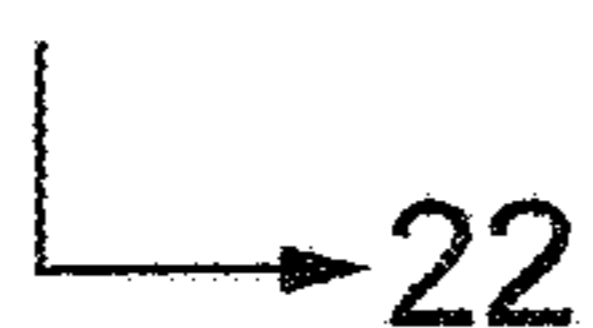
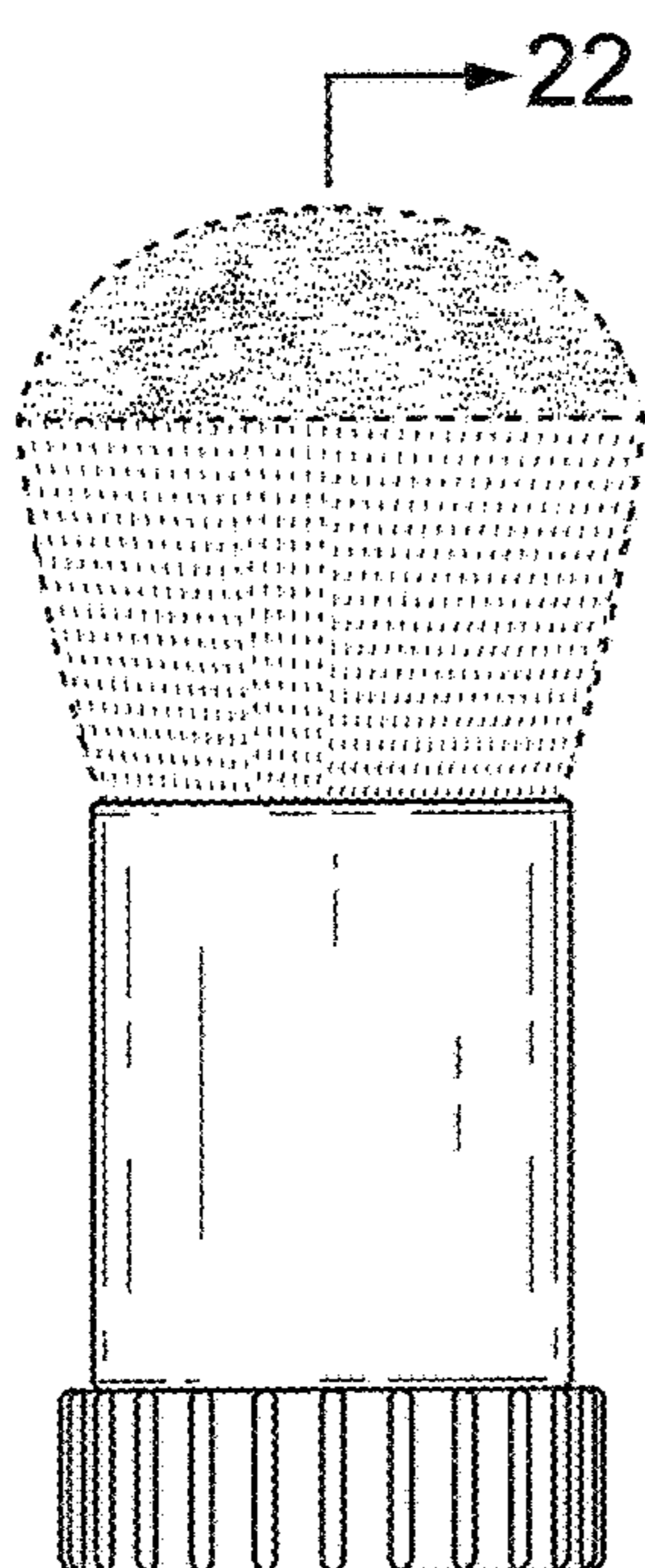


FIG. 16

FIG. 17

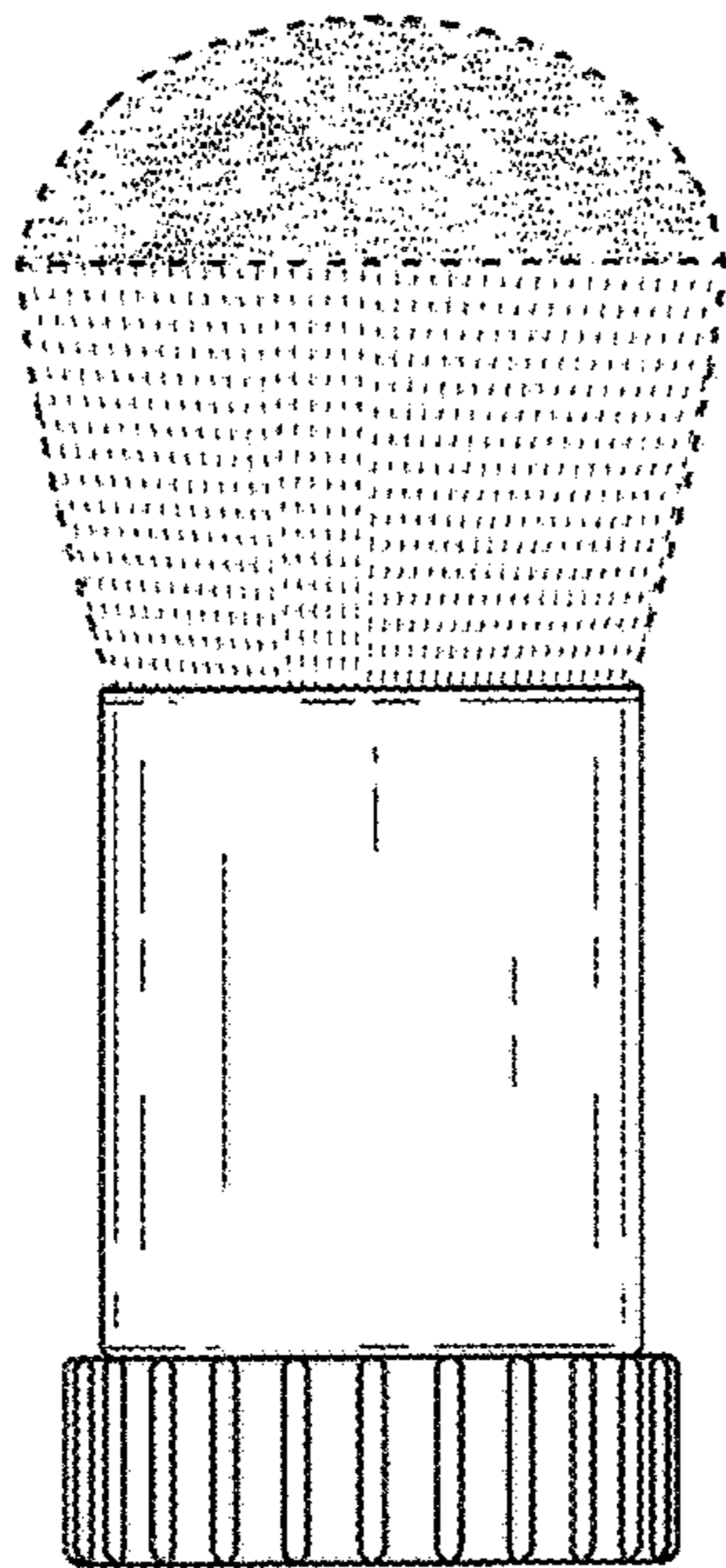


FIG. 18

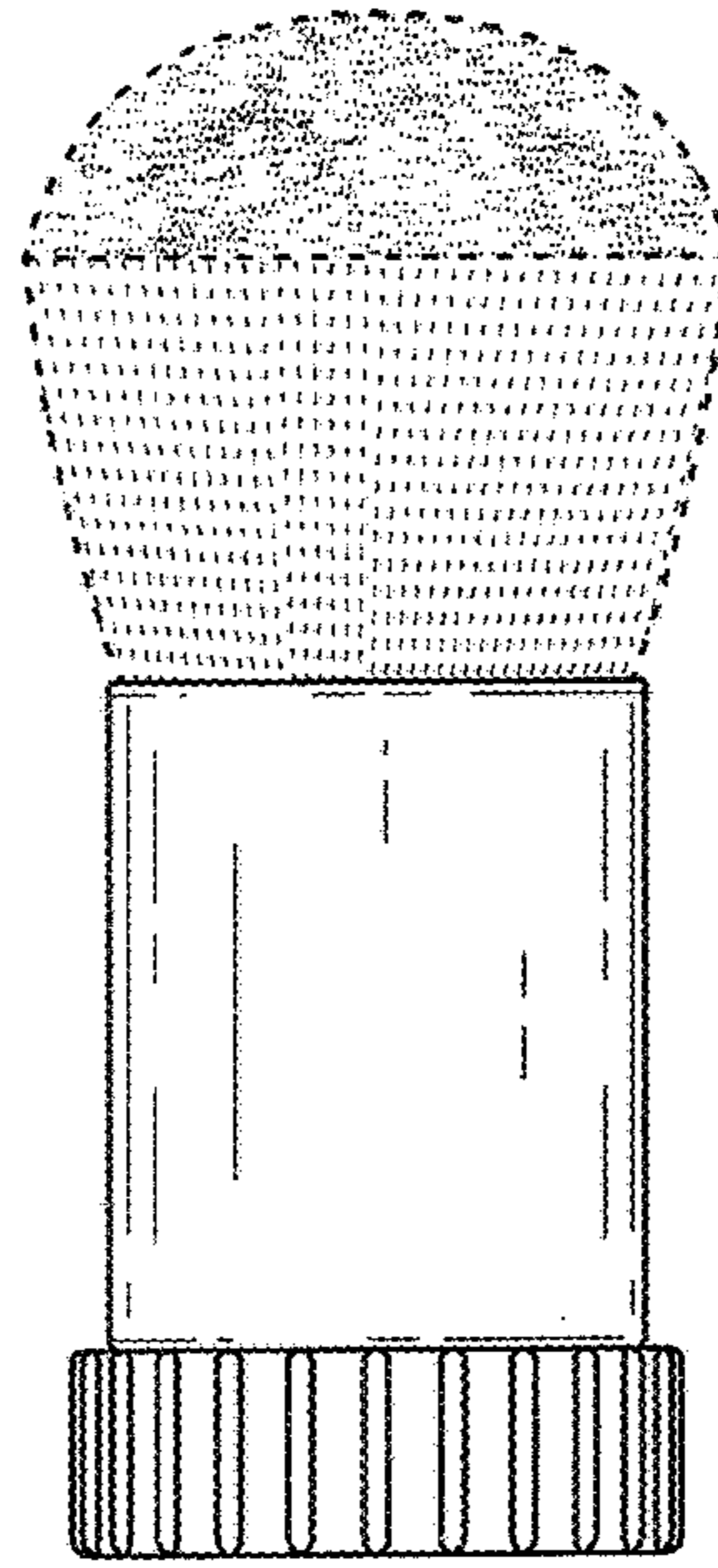


FIG. 19

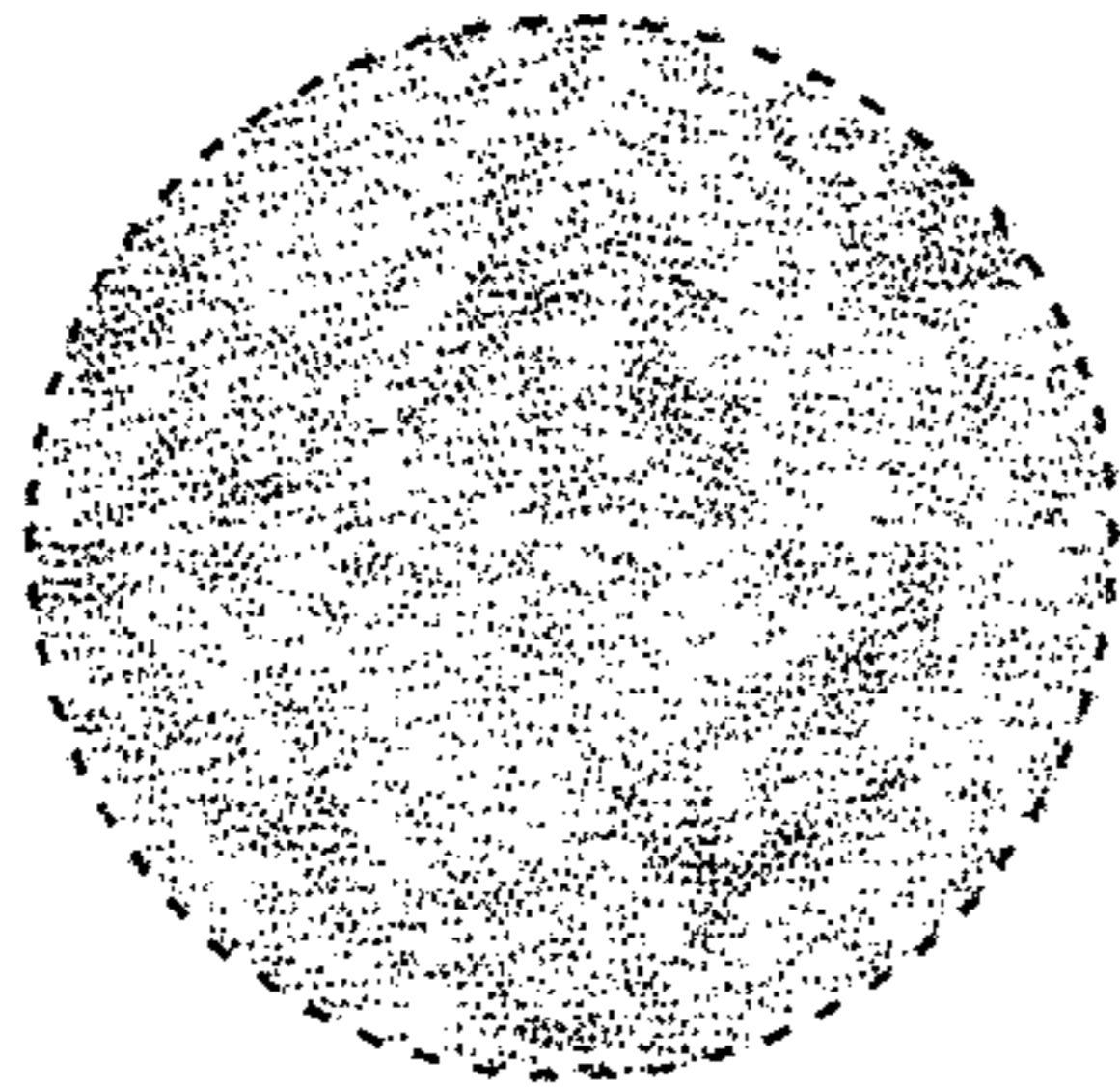


FIG. 20

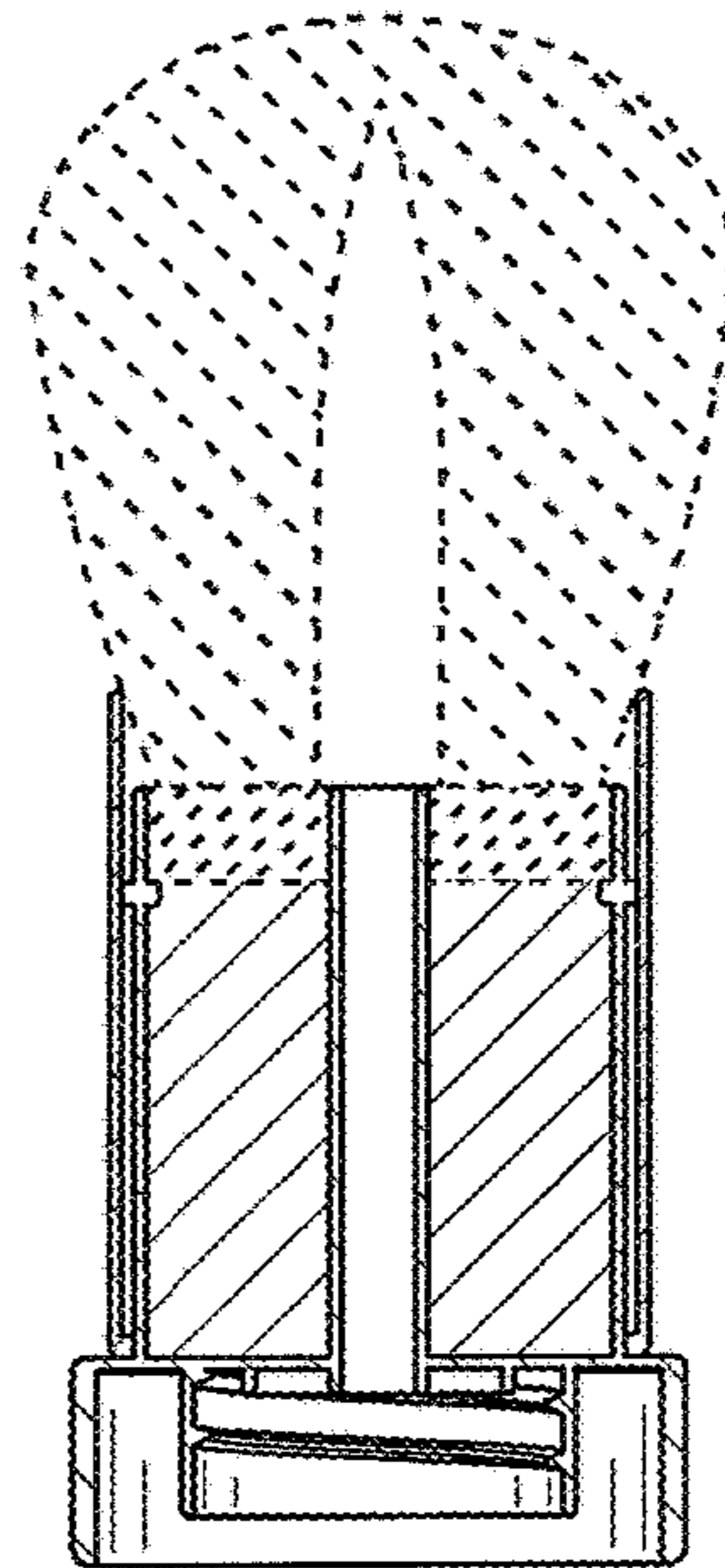


FIG. 22

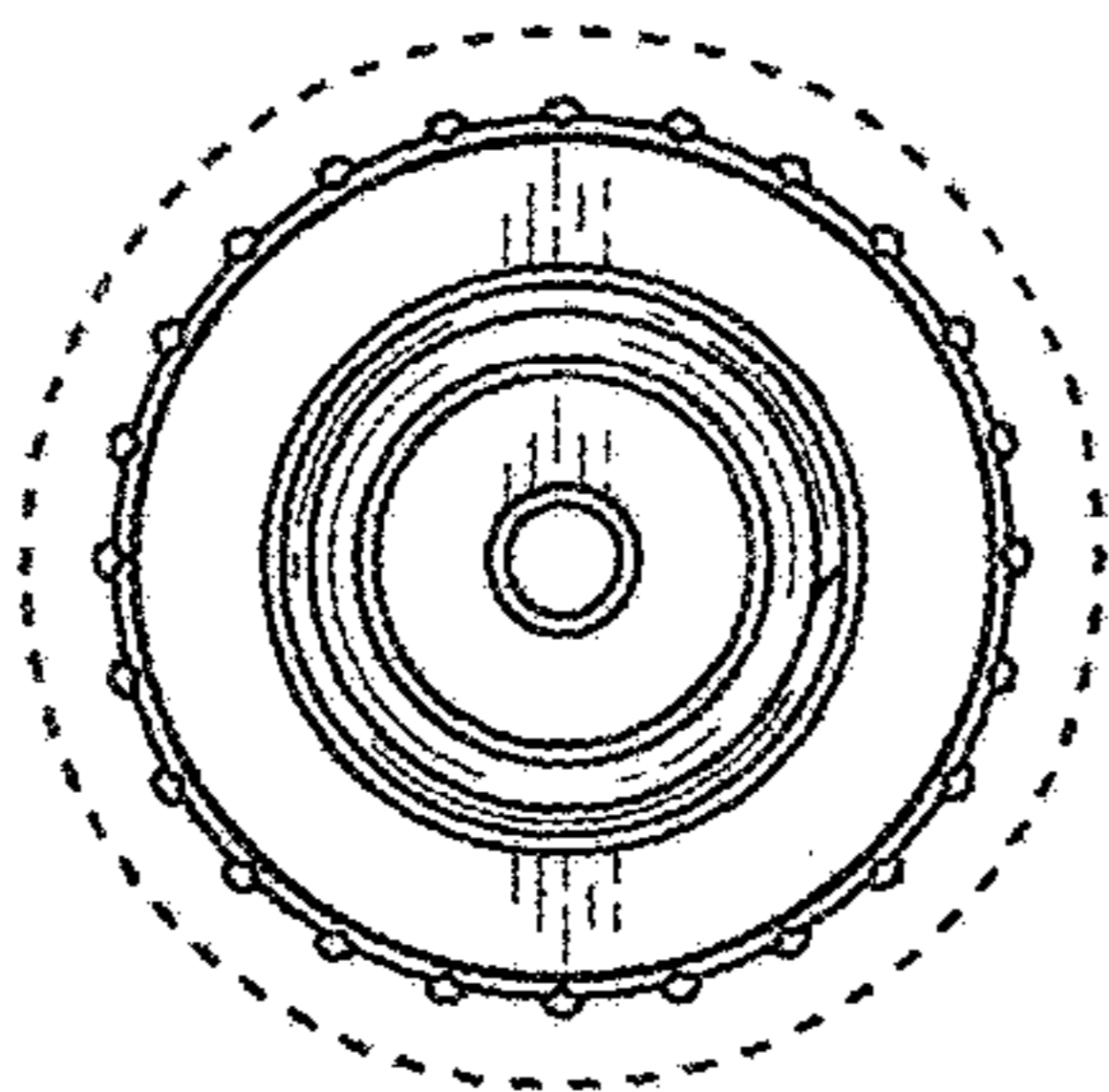


FIG. 21

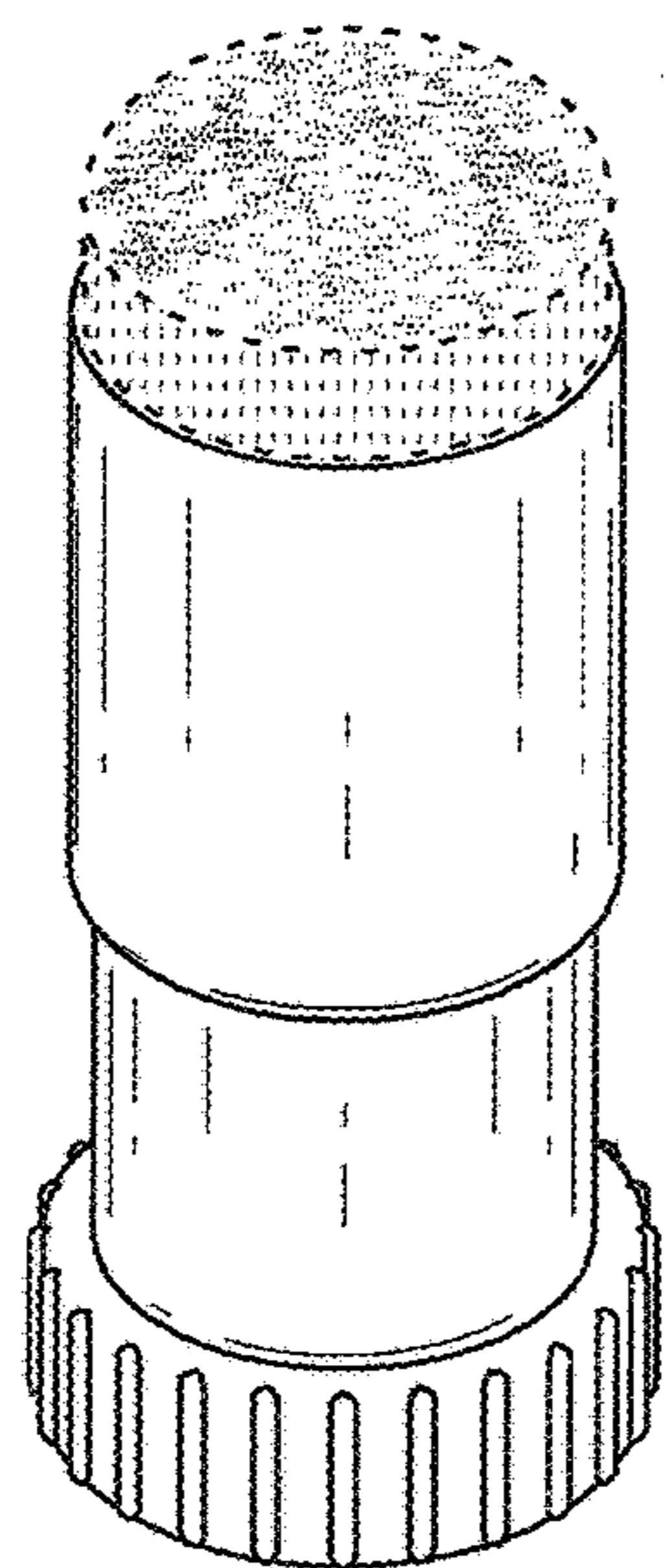


FIG. 23

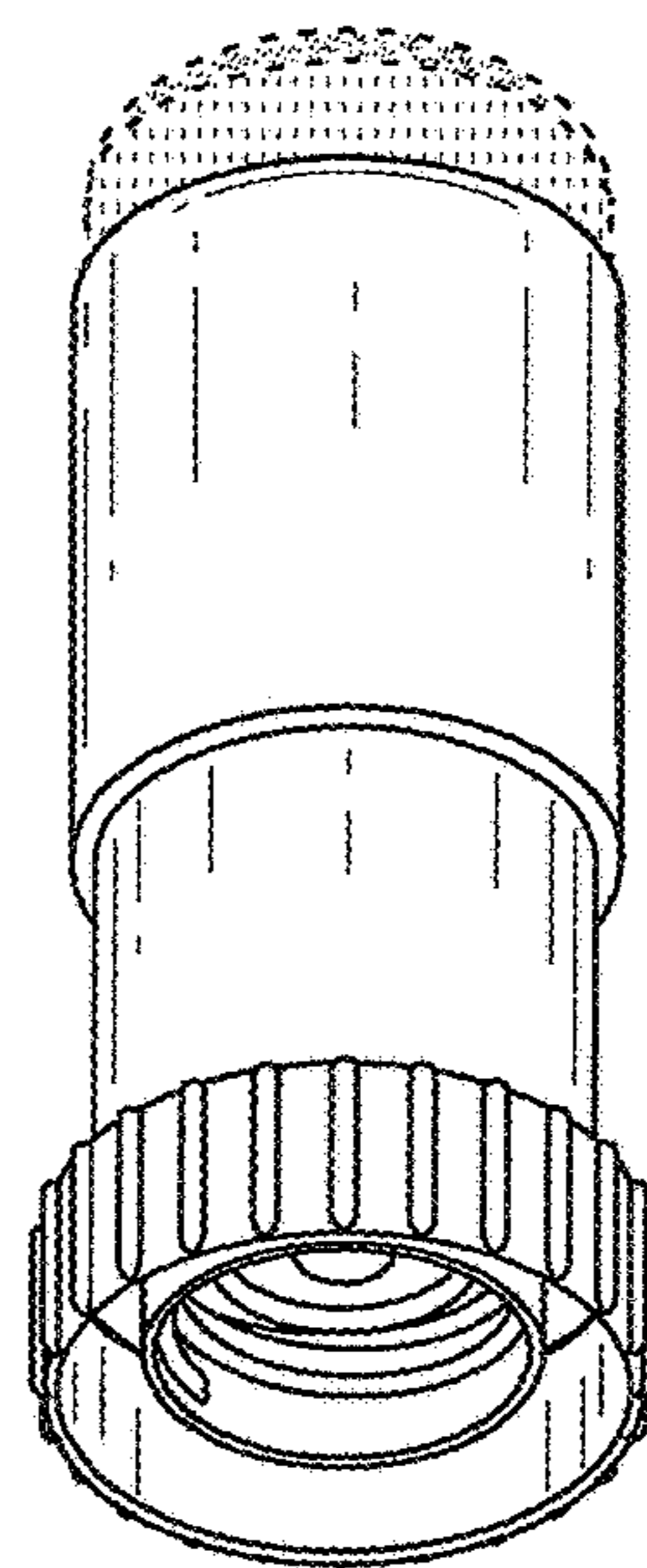


FIG. 24