



US00D850115S

(12) **United States Design Patent** (10) **Patent No.:** **US D850,115 S**  
**Rojas** (45) **Date of Patent:** **\*\* Jun. 4, 2019**

(54) **PORTABLE TOOTHBRUSH WITH BRISTLE COVER TETHERED BY DENTAL FLOSS**

(71) Applicant: **Daniel Fatjó Rojas**, San Jose (CR)

(72) Inventor: **Daniel Fatjó Rojas**, San Jose (CR)

(\*\*) Term: **15 Years**

(21) Appl. No.: **29/568,335**

(22) Filed: **Jun. 16, 2016**

(51) **LOC (11) Cl.** ..... **04-02**

(52) **U.S. Cl.**  
USPC ..... **D4/108**

(58) **Field of Classification Search**  
USPC ..... D4/104, 105, 106, 110, 113, 130, 132, D4/134, 136, 137, 138, 139, 108; 132/308, 309; 206/362.3  
CPC ... A46B 2200/1006; A46B 5/02; A46B 5/021; A46B 9/02; A46B 9/04; A46B 17/04; A46B 15/0095  
See application file for complete search history.

(56) **References Cited**

**U.S. PATENT DOCUMENTS**

1,432,717	A *	10/1922	Miller	.....	A46B 5/0033 132/311
1,470,129	A *	10/1923	Tichenor	.....	A46B 17/04 132/308
2,157,862	A *	5/1939	Oshman	.....	A46B 17/04 206/362.3
2,608,293	A *	8/1952	Carlson	.....	A46B 17/04 15/185
2,655,968	A *	10/1953	Simmons	.....	A46B 17/04 15/184
3,120,019	A *	2/1964	Scott	.....	A46B 17/04 132/308
3,127,985	A *	4/1964	Scott	.....	A46B 17/04 132/308
3,842,851	A	10/1974	Pipitone		

(Continued)

*Primary Examiner* — Karen E Eldridge Powers  
(74) *Attorney, Agent, or Firm* — Kanika Radhakrishnan; Evergreen Valley Law Group

(57) **CLAIM**

The ornamental design for a portable toothbrush with bristle cover tethered by dental floss, as shown and described.

**DESCRIPTION**

FIG. 1 illustrates a front elevation view of the portable toothbrush with bristle cover tethered by dental floss, according to the present invention;

FIG. 2 illustrates a rear elevation view of the portable toothbrush with bristle cover tethered by dental floss, according to the present invention;

FIG. 3 illustrates a top plan view of the portable toothbrush with bristle cover tethered by dental floss, according to the present invention;

FIG. 4 illustrates a bottom plan view of the portable toothbrush with bristle cover tethered by dental floss, according to the present invention;

FIG. 5 illustrates a left side elevation view of the portable toothbrush with bristle cover tethered by dental floss, according to the present invention;

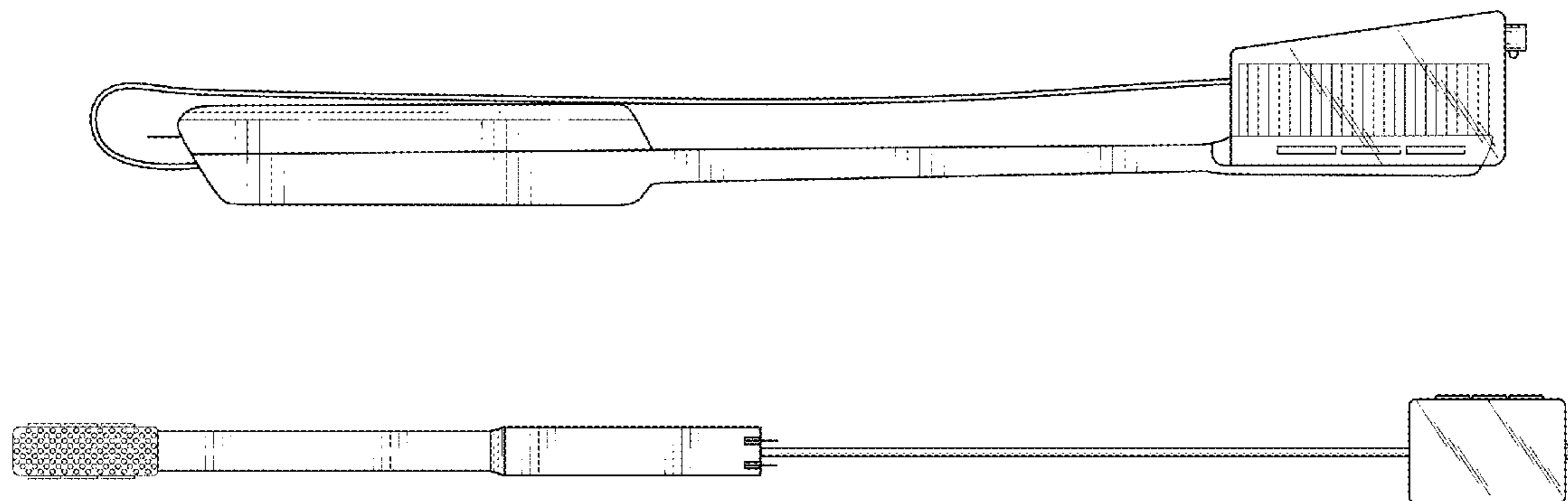
FIG. 6 illustrates a right side elevation view of the portable toothbrush with bristle cover tethered by dental floss, according to the present invention;

FIG. 7 illustrates a front elevation view of the portable toothbrush with bristle cover tethered by dental floss, but with the toothbrush cover removed from over the bristles;

FIG. 8 illustrates a right side elevation view of the portable toothbrush with bristle cover tethered by dental floss, but with the toothbrush cover removed from over the bristles; and,

FIG. 9 illustrates a left side elevation view of the portable toothbrush with bristle cover tethered by dental floss, but with the toothbrush cover removed from over the bristles.

**1 Claim, 8 Drawing Sheets**



(56)

References Cited

U.S. PATENT DOCUMENTS

4,396,238	A *	8/1983	Torruella .....	A46B 17/04 211/65
D343,296	S *	1/1994	Schneider .....	D4/108
D361,208	S *	8/1995	Woods .....	D4/104
5,517,712	A	5/1996	Schiano	
D387,204	S *	12/1997	Nicholson .....	D4/104
D397,253	S *	8/1998	Satterfield .....	D4/104
D404,572	S *	1/1999	Spalvieri .....	D4/104
5,924,567	A *	7/1999	Wenum .....	A46B 17/04 206/15.3
5,960,801	A *	10/1999	Vermooten .....	A46B 17/04 132/286
D424,307	S *	5/2000	Spriggs .....	D4/134
D426,067	S	6/2000	de Melo	
D463,916	S *	10/2002	Mulcahy .....	D4/113
6,554,522	B1 *	4/2003	Connelly .....	A46B 11/0003 132/308
6,715,952	B1	4/2004	Aiken et al.	
7,360,650	B2 *	4/2008	Hoffecker .....	A45D 44/18 132/309
D642,411	S *	8/2011	Kim .....	D6/534
8,020,243	B2 *	9/2011	Hupence .....	A46B 5/0075 15/144.1
8,707,504	B2 *	4/2014	Ryan .....	A46B 15/0095 132/308
9,204,761	B2	12/2015	Volk	
D758,966	S	6/2016	Shigeno et al.	
2004/0154635	A1 *	8/2004	Segura .....	A45D 44/18 132/308

\* cited by examiner

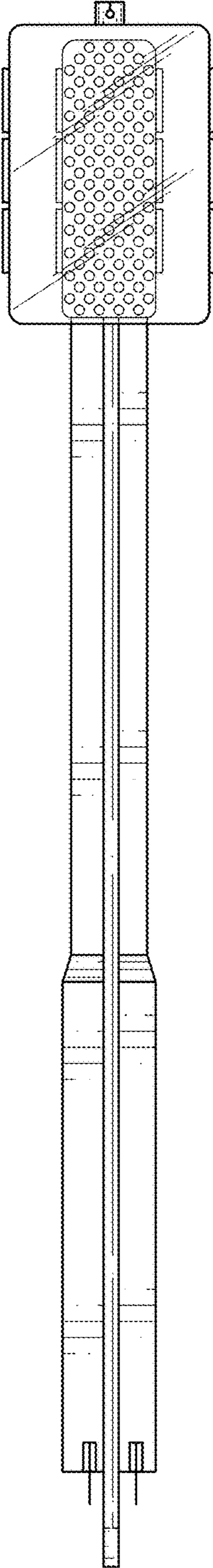


FIG. 1

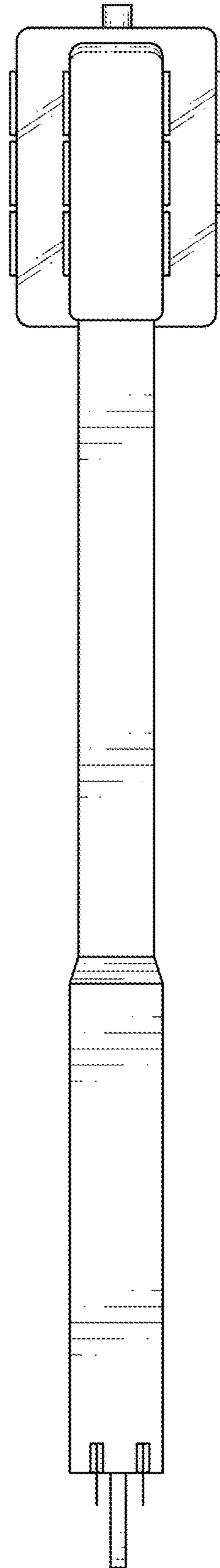


FIG. 2

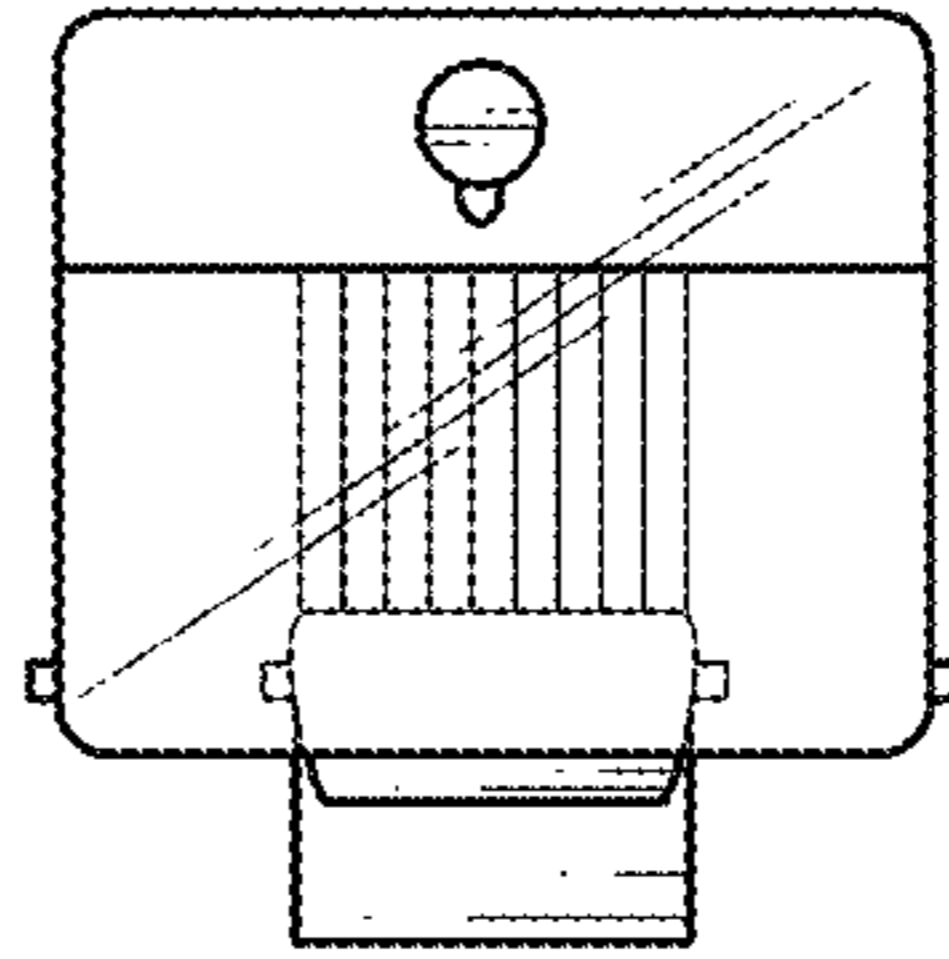


FIG. 3

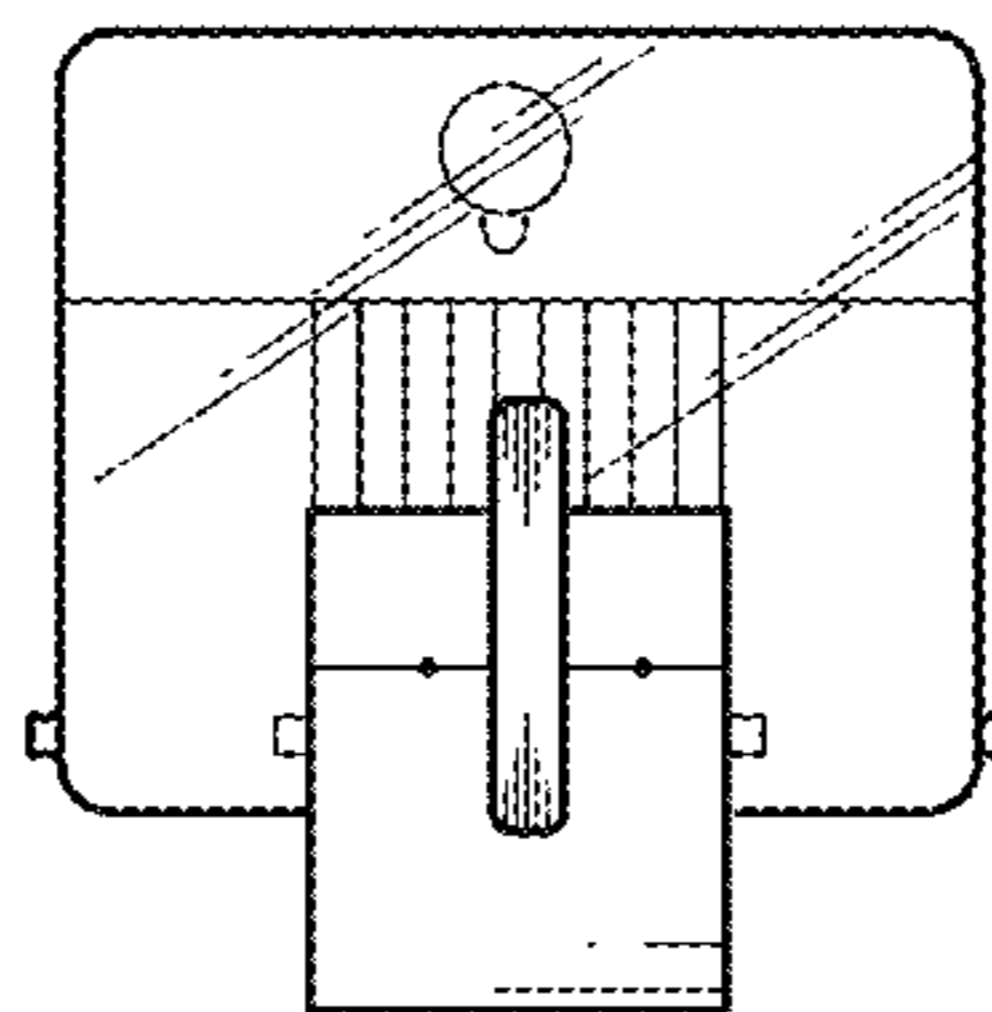


FIG. 4

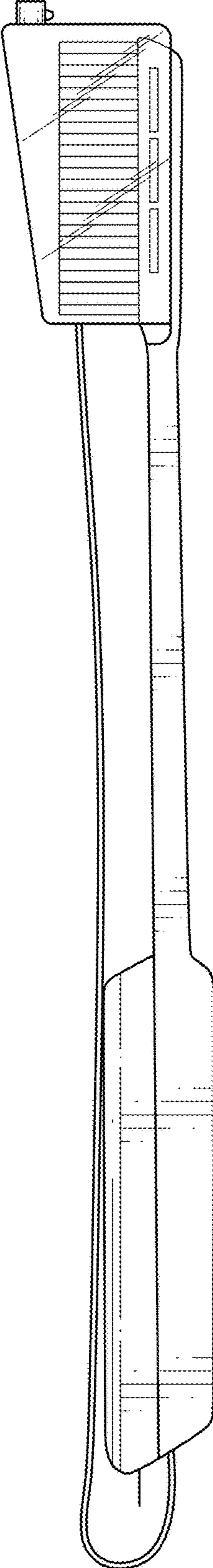


FIG. 5

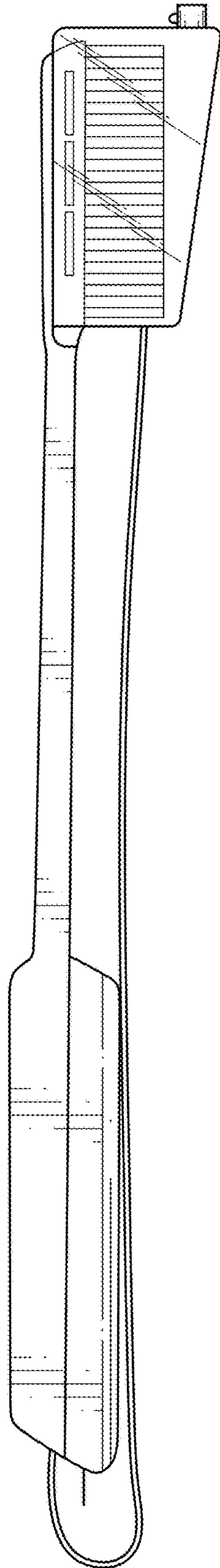


FIG. 6

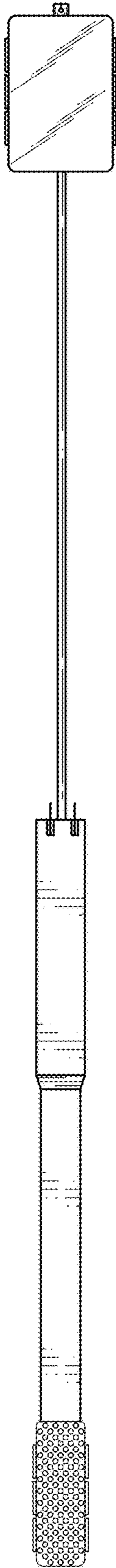


FIG. 7



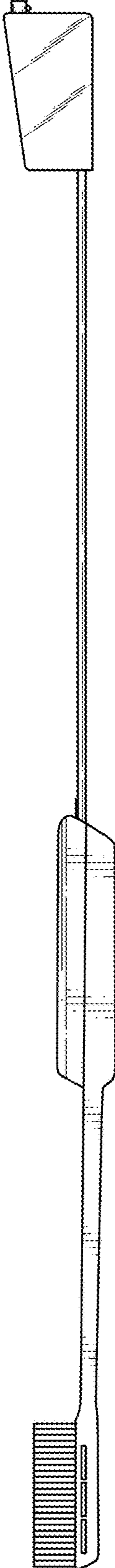


FIG. 8

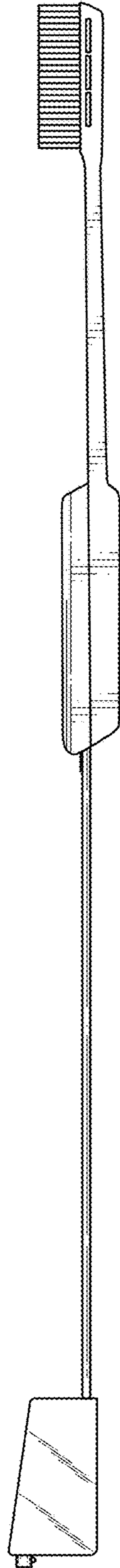


FIG. 9