



US00D850114S

(12) **United States Design Patent**
Ghahary et al.

(10) **Patent No.:** **US D850,114 S**
(45) **Date of Patent:** **** Jun. 4, 2019**

(54) **FACIAL BRUSH**

(71) Applicants: **Simon Ghahary**, Long Beach, CA
(US); **Ryan Mongan**, Orange, CA (US)

(72) Inventors: **Simon Ghahary**, Long Beach, CA
(US); **Ryan Mongan**, Orange, CA (US)

(73) Assignee: **TAO CLEAN, LLC**, Orange, CA (US)

(**) Term: **15 Years**

(21) Appl. No.: **29/560,196**

(22) Filed: **Apr. 4, 2016**

(51) **LOC (11) Cl.** **04-02**

(52) **U.S. Cl.**
USPC **D4/102**

(58) **Field of Classification Search**
USPC D4/100, 104, 110, 116, 119, 121, 127,
D4/129, 130, 136, 137, 138, 103;
(Continued)

(56) **References Cited**

U.S. PATENT DOCUMENTS

2,006,234 A * 6/1935 Cosby A46B 5/00
15/143.1
D262,904 S * 2/1982 Markwood D21/795
(Continued)

FOREIGN PATENT DOCUMENTS

WO WO 2016114907 A1 * 7/2016 A46B 13/008

OTHER PUBLICATIONS

Best Buy Orbital Facial Brush & Cleaning Station, [online], [sited
visited Jun. 15, 2017]. Available from Internet, <URL:http://www.
bestbuy.com/site/tao-clean-aura-clean-system-orbital-facial-brush-
cleaning-station-deep-space-black/5241101.p?skuId=5241101>.*
(Continued)

Primary Examiner — Caron D Veynar

Assistant Examiner — Katrina N Gonzalez

(74) *Attorney, Agent, or Firm* — MaxvalueIP LLC

(57) **CLAIM**

The ornamental design for a facial brush, as shown and described.

DESCRIPTION

This application is related to another application Ser. No. 14/702,864, filed May 4, 2015. This application incorporates by reference all of the teachings of the prior application mentioned above. This application claims priority for the prior application mentioned above.

FIG. 1 is an exploded front, right side view of the facial brush, with the brush and chamber shown in an open configuration.

FIG. 2 is a front view of the chamber, shown with the brush removed for clarity.

FIG. 3 is a right side view of the facial brush shown in a closed configuration.

FIG. 4 is rear view thereof.

FIG. 5 is a top view plan thereof.

FIG. 6 is a right side view of the chamber, shown with the brush removed for clarity.

FIG. 7 is a rear view thereof.

FIG. 8 is a bottom view plan thereof.

FIG. 9 is a front, right side view of the facial brush shown in a closed configuration.

FIG. 10 is a front view thereof.

FIG. 11 is a front, right side view of the brush, shown with the chamber removed for clarity.

FIG. 12 is a bottom plan view of the facial brush shown in a closed position.

FIG. 13 is a bottom plan view of the brush, shown with the chamber removed for clarity.

FIG. 14 is a back view thereof.

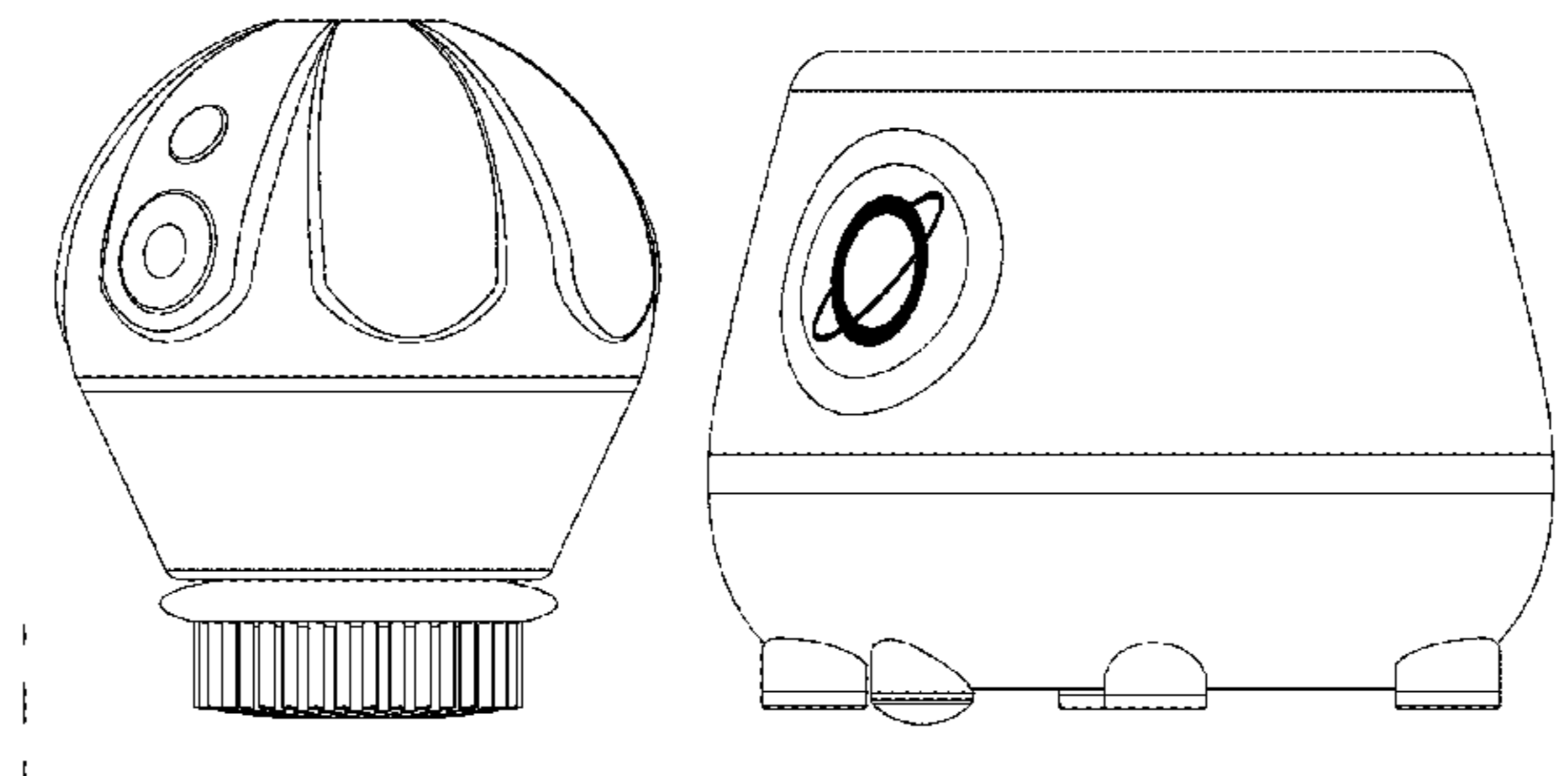
FIG. 15 is a right side view thereof.

FIG. 16 is a top view thereof.

FIG. 17 is a front view thereof; and,

FIG. 18 is a top plan view of the chamber, shown with the brush removed for clarity.

(Continued)



The left side views are mirror images of the right side views. The broken lines illustrate portions of the facial brush that form no part of the claimed.

1 Claim, 18 Drawing Sheets

(58) **Field of Classification Search**

USPC D7/396.1, 397, 398, 500, 505, 509, 510, D7/511, 532, 538–540, 542, 601, 602, D7/608, 612, 619.1, 629; D9/428, 500, D9/502–504, 519, 529, 537, 549, 559, D9/574, 575, 772; D23/205, 213
 CPC . A46B 13/008; A46B 2200/102; A46B 13/02; A46B 13/023; A47G 19/2205; A47G 19/23; A47G 19/2272; A47G 2019/2294; A47J 41/02; A47J 41/022; A47J 41/024; A47J 41/026; A47J 41/028; A47J 41/00; A47J 41/0077; B65D 81/3823; B65D 81/3813; B65D 81/3846

See application file for complete search history.

(56) **References Cited**

U.S. PATENT DOCUMENTS

D303,761 S * 10/1989 Desgrippes D9/719
 D307,216 S * 4/1990 Yuen D32/14.1
 D510,863 S * 10/2005 Juhng D9/436
 D520,244 S * 5/2006 Huller D4/124
 D521,738 S * 5/2006 Huller D4/124
 D523,674 S * 6/2006 Starck D6/534
 D532,935 S * 11/2006 Kostow D28/76

D555,360 S * 11/2007 Lee D4/114
 D601,804 S * 10/2009 Hwang D4/103
 D715,556 S * 10/2014 Brewer D4/102
 D715,557 S * 10/2014 Brewer D4/102
 D715,558 S * 10/2014 Brewer D4/102
 D734,949 S * 7/2015 Behnam D4/127
 D744,754 S * 12/2015 Reishus D4/102
 D760,500 S * 7/2016 Stephens D4/127
 D764,806 S * 8/2016 Prat-Pfister D4/127
 D768,387 S * 10/2016 Reishus D4/100
 D770,181 S * 11/2016 Reishus D4/100
 D771,951 S * 11/2016 Reishus D4/100
 2015/0216294 A1 * 8/2015 Mongan A46B 17/065
 15/105
 2015/0313354 A1 * 11/2015 Mongan A46B 17/06
 15/22.1
 2016/0183670 A1 * 6/2016 Brewer A46B 9/021
 15/22.1

OTHER PUBLICATIONS

Aura Clean System Orbital Facial Brush & Cleaning Station, [online], [sited visited Jun. 15, 2017]. Available from Internet, <URL:https://www.taoclean.com/products/aura-clean-system-orbital-facial-brush-cleaning-station>.*

Tao Clean—Aura Clean Orbital Facial Brush & Cleaning Station At AHA, [online], [sited visited Jun. 15, 2017]. Available from Internet, <URL:https://www.ahalife.com/product/149000040605/aura-clean-orbital-facial-brush-cleaning-station>.*

LovelySkin Orbital Facial Brush & Cleaning Station, [online], [sited visited Jun. 15, 2017]. Available from Internet, <URL:http://www.lovelyskin.com/o/tao-clean-aura-clean-system-orbital-facial-brush-and-cleaning-station>.*

* cited by examiner

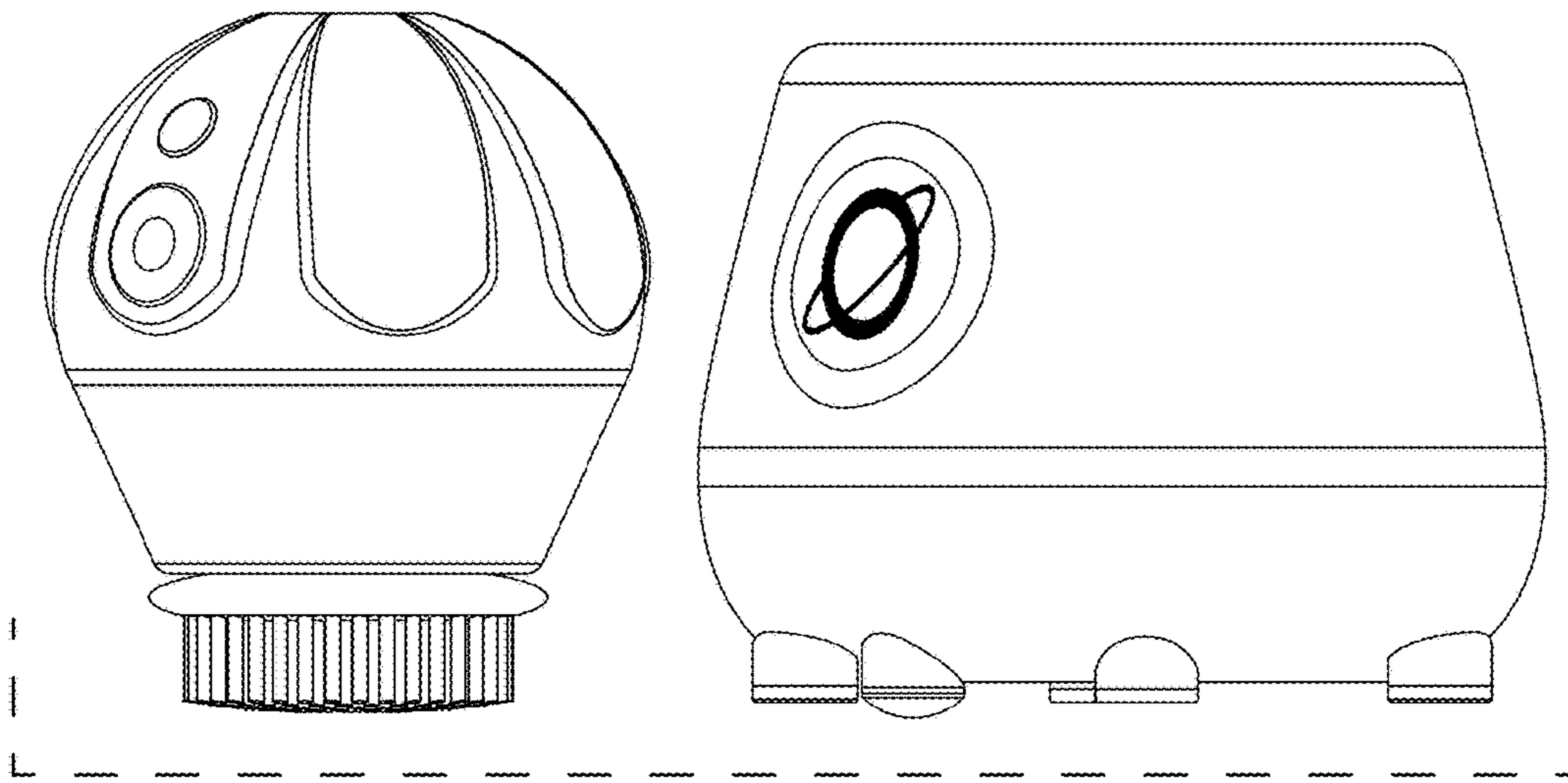


FIG. 1

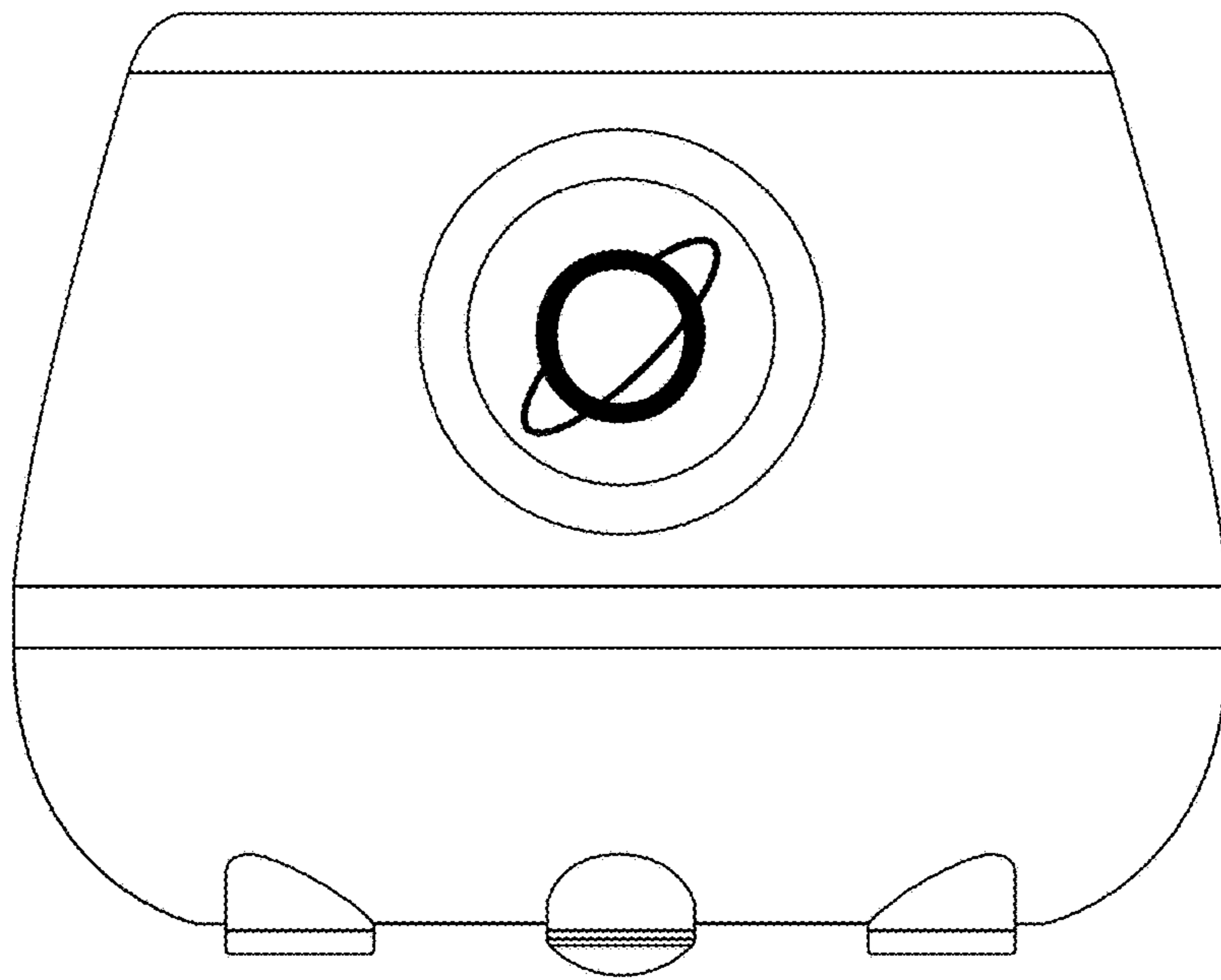


FIG. 2

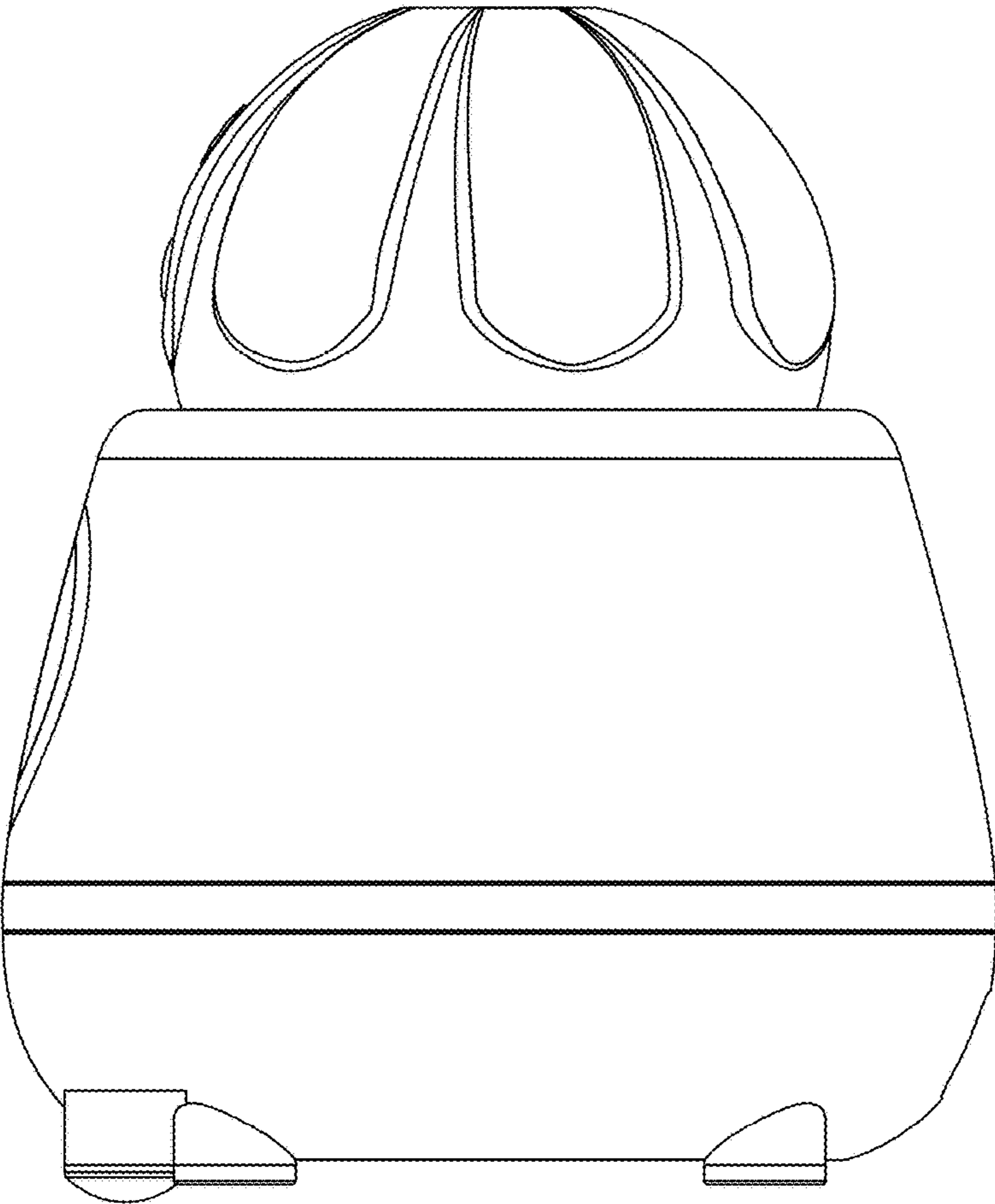


FIG. 3

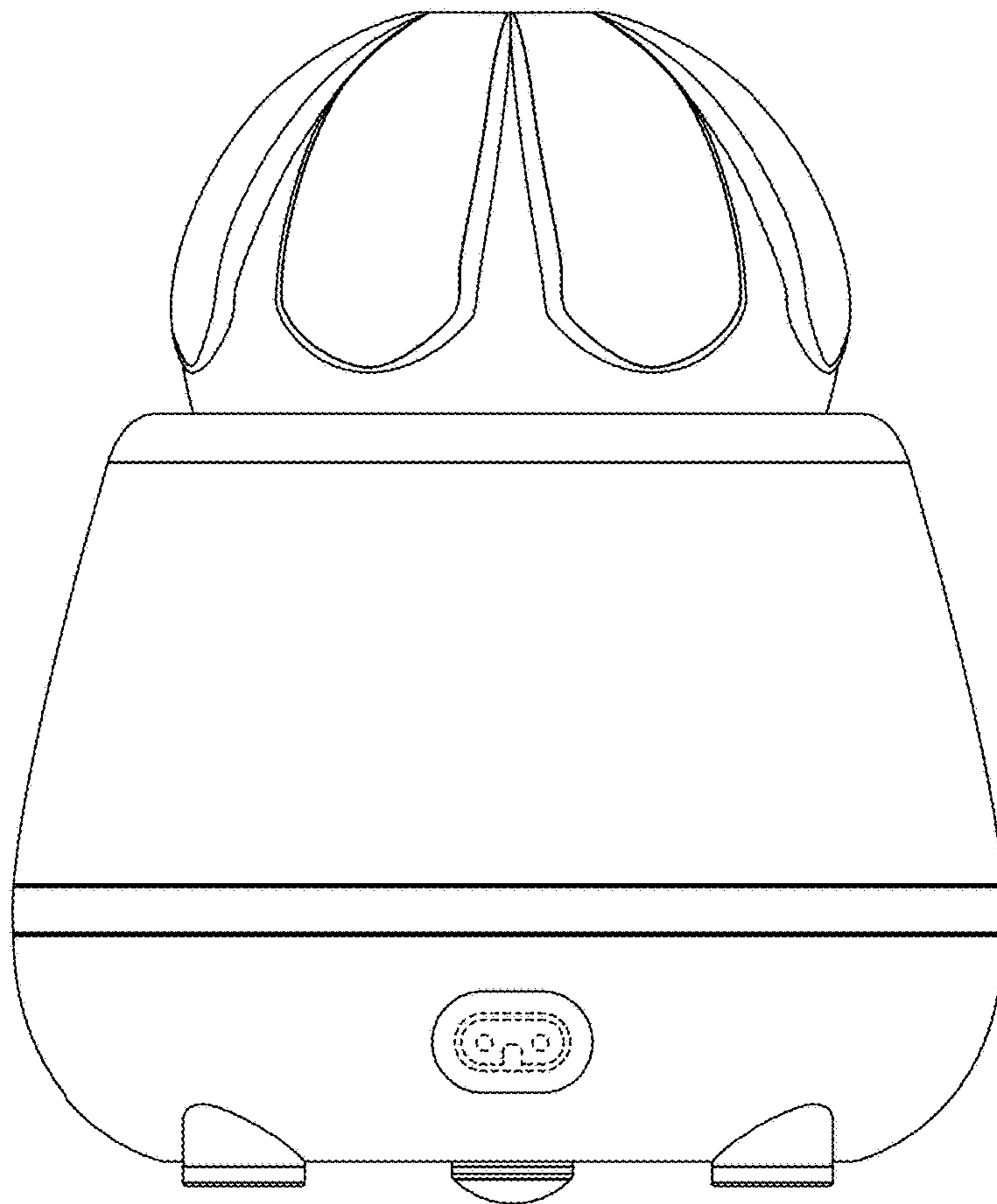


FIG. 4

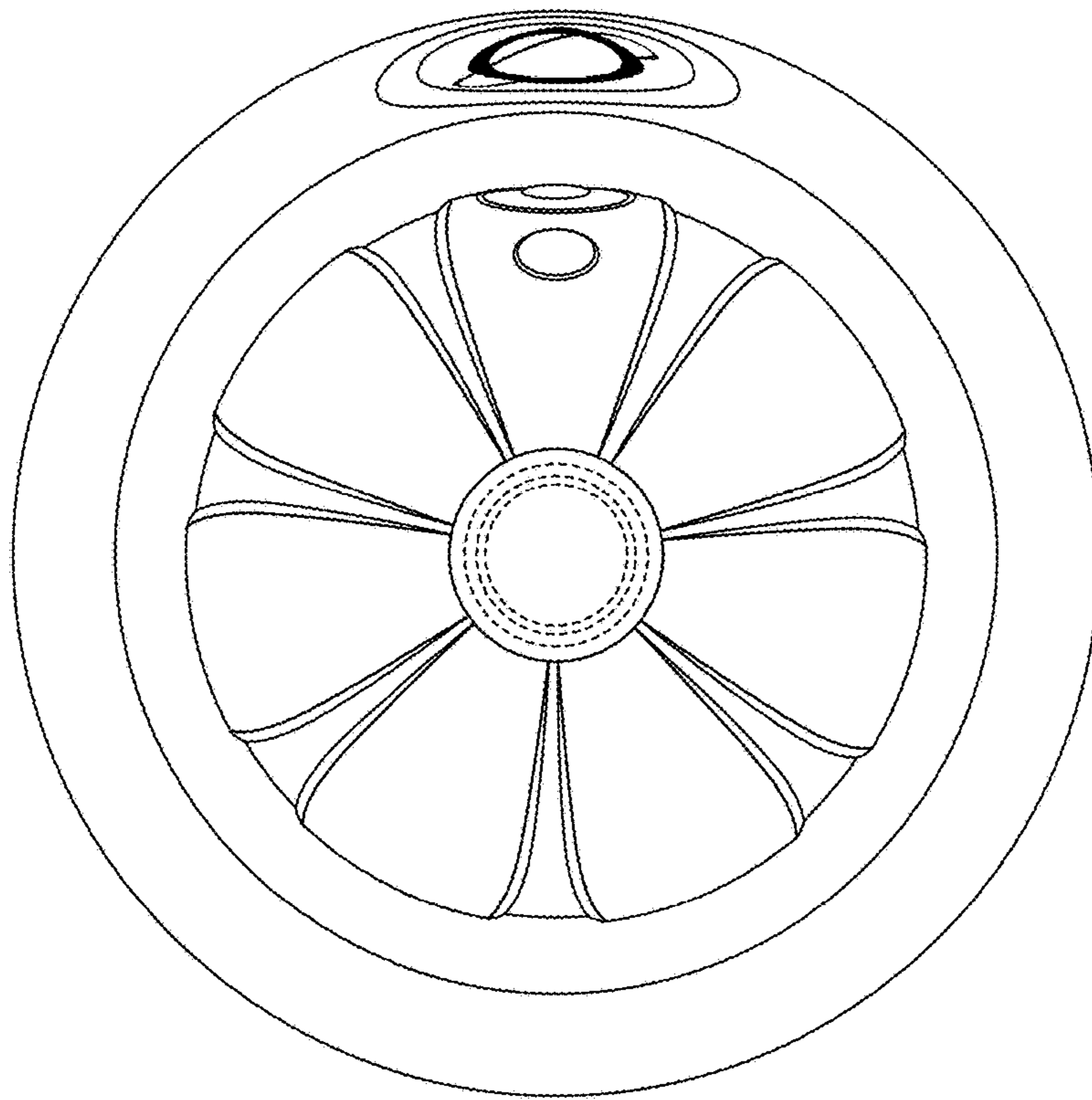


FIG. 5

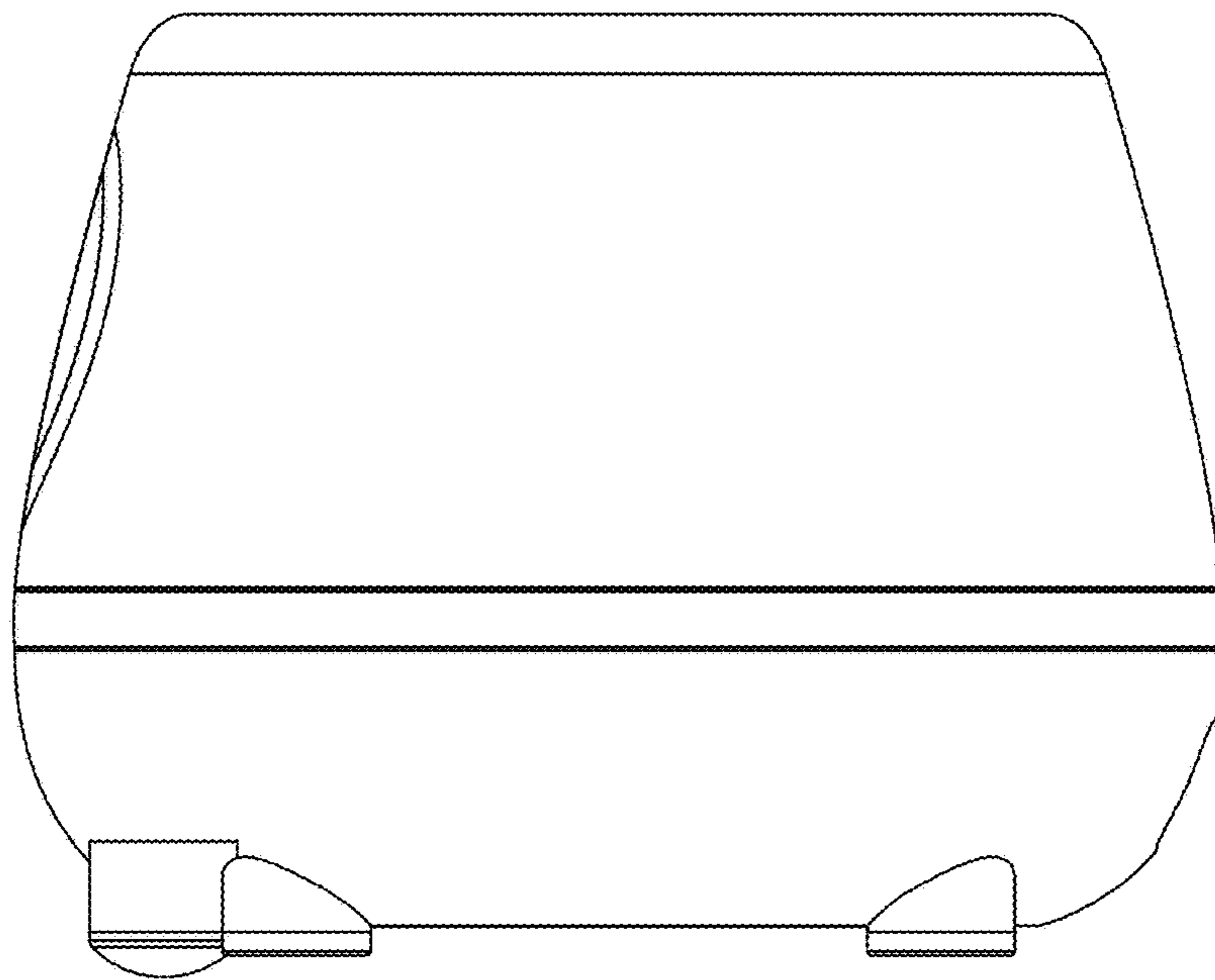


FIG. 6

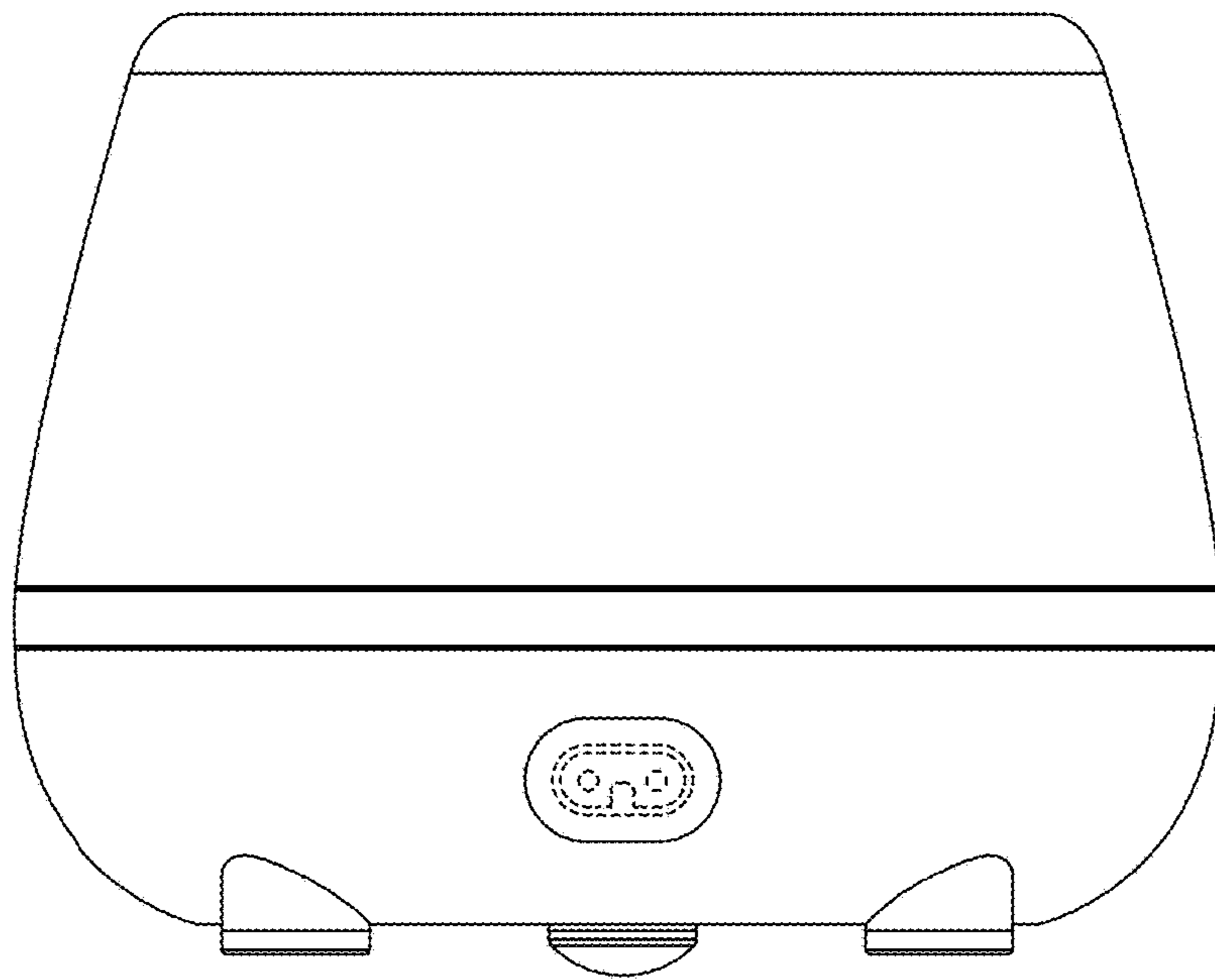


FIG. 7

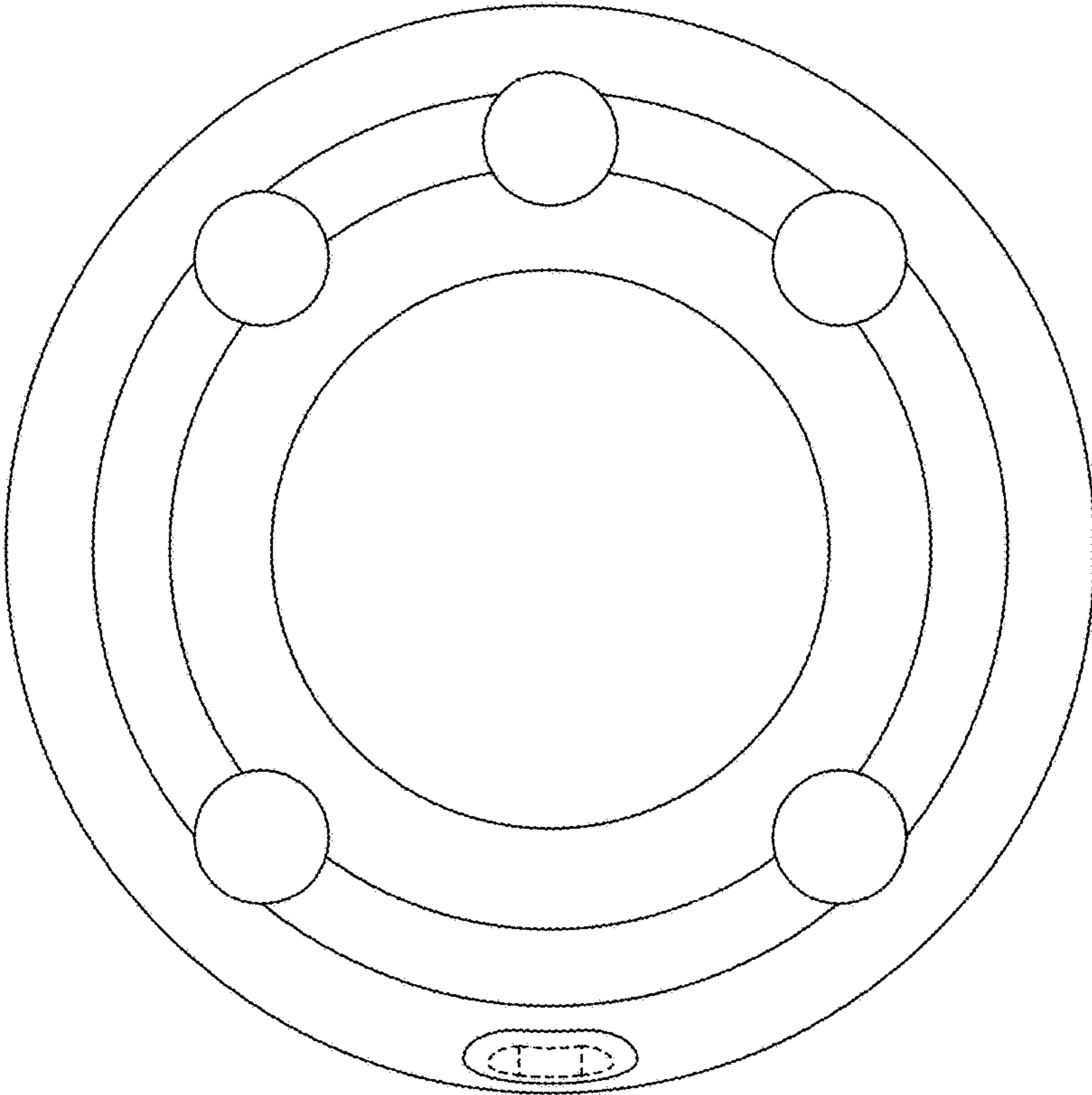


FIG. 8

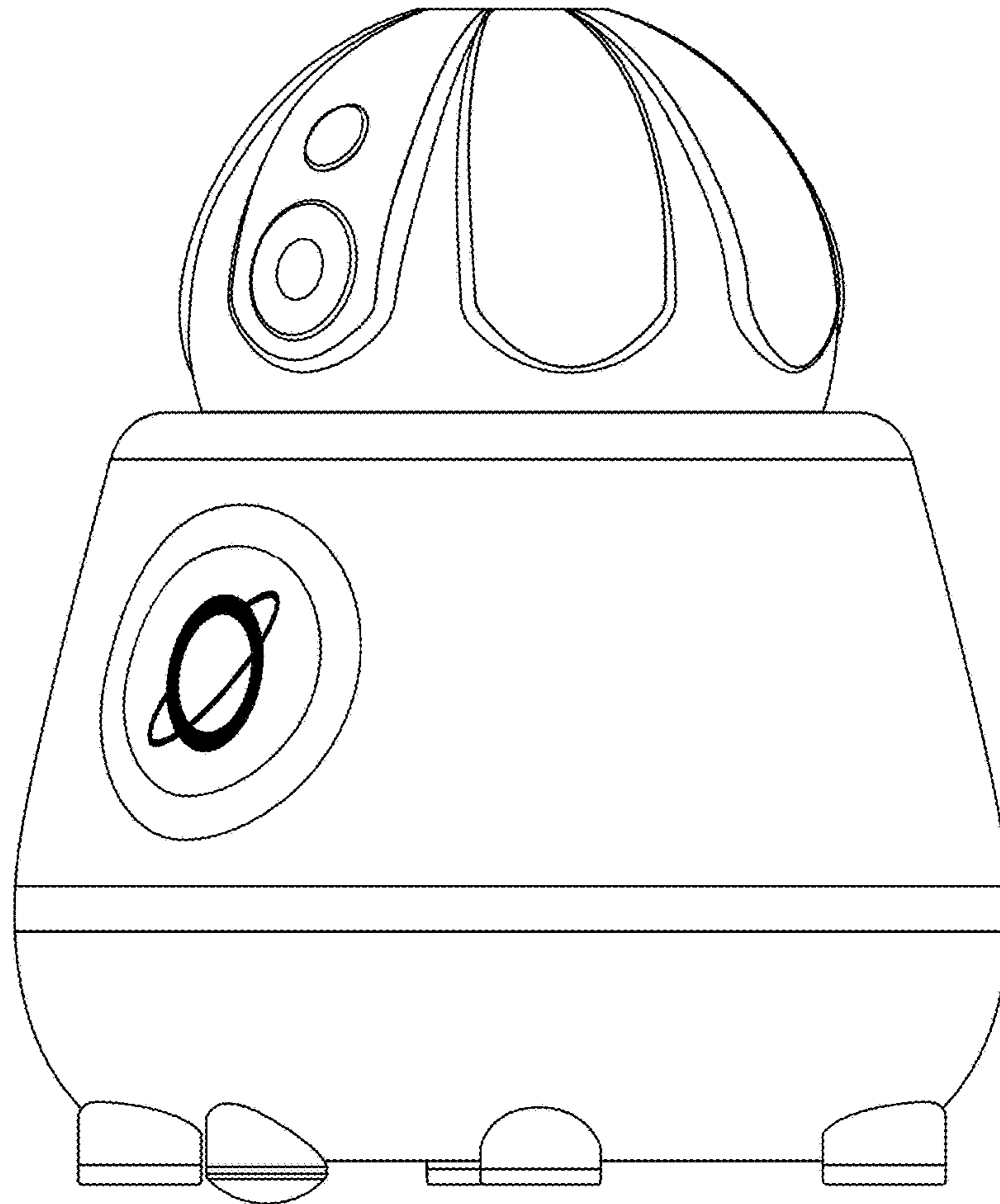


FIG. 9

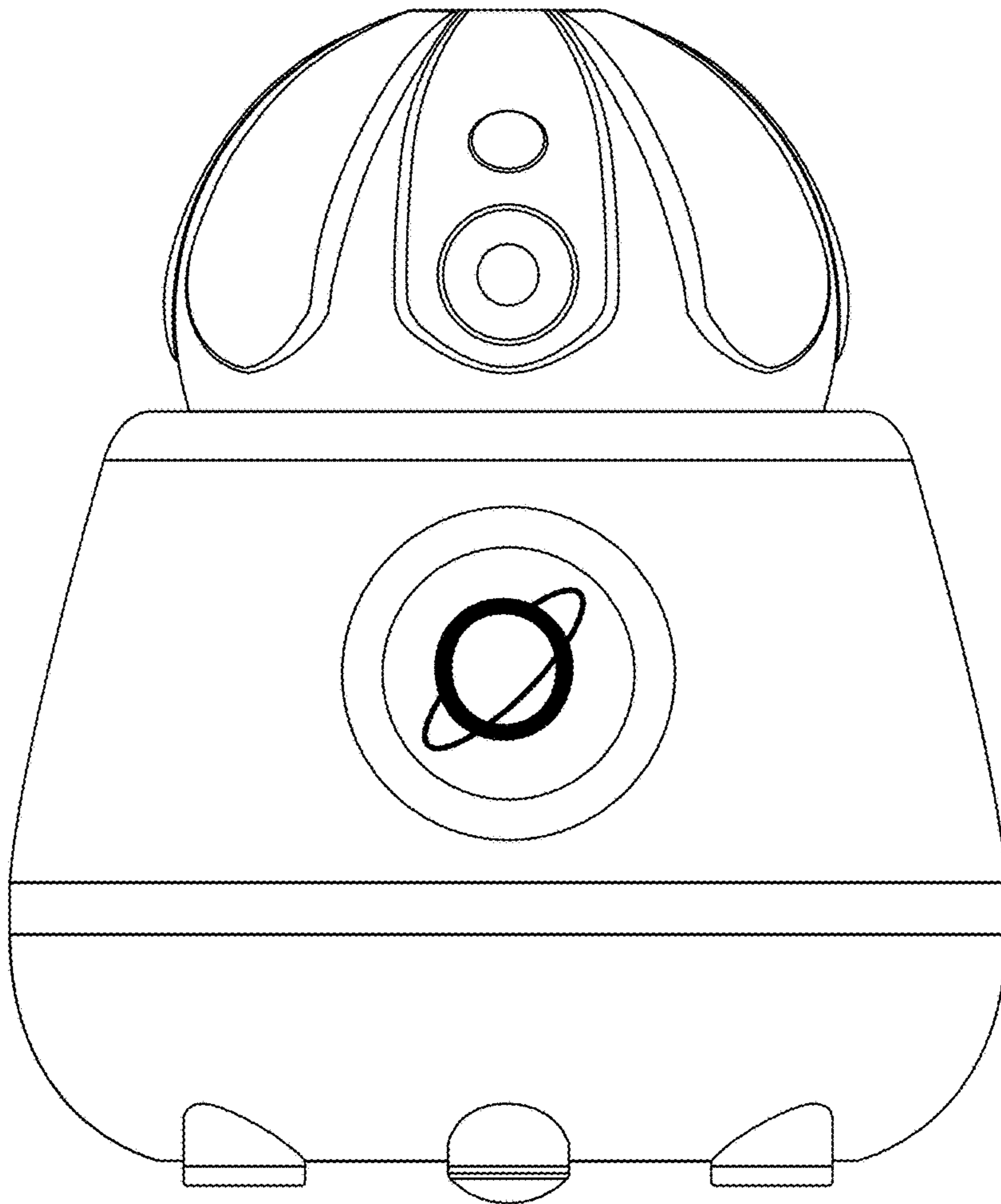


FIG. 10

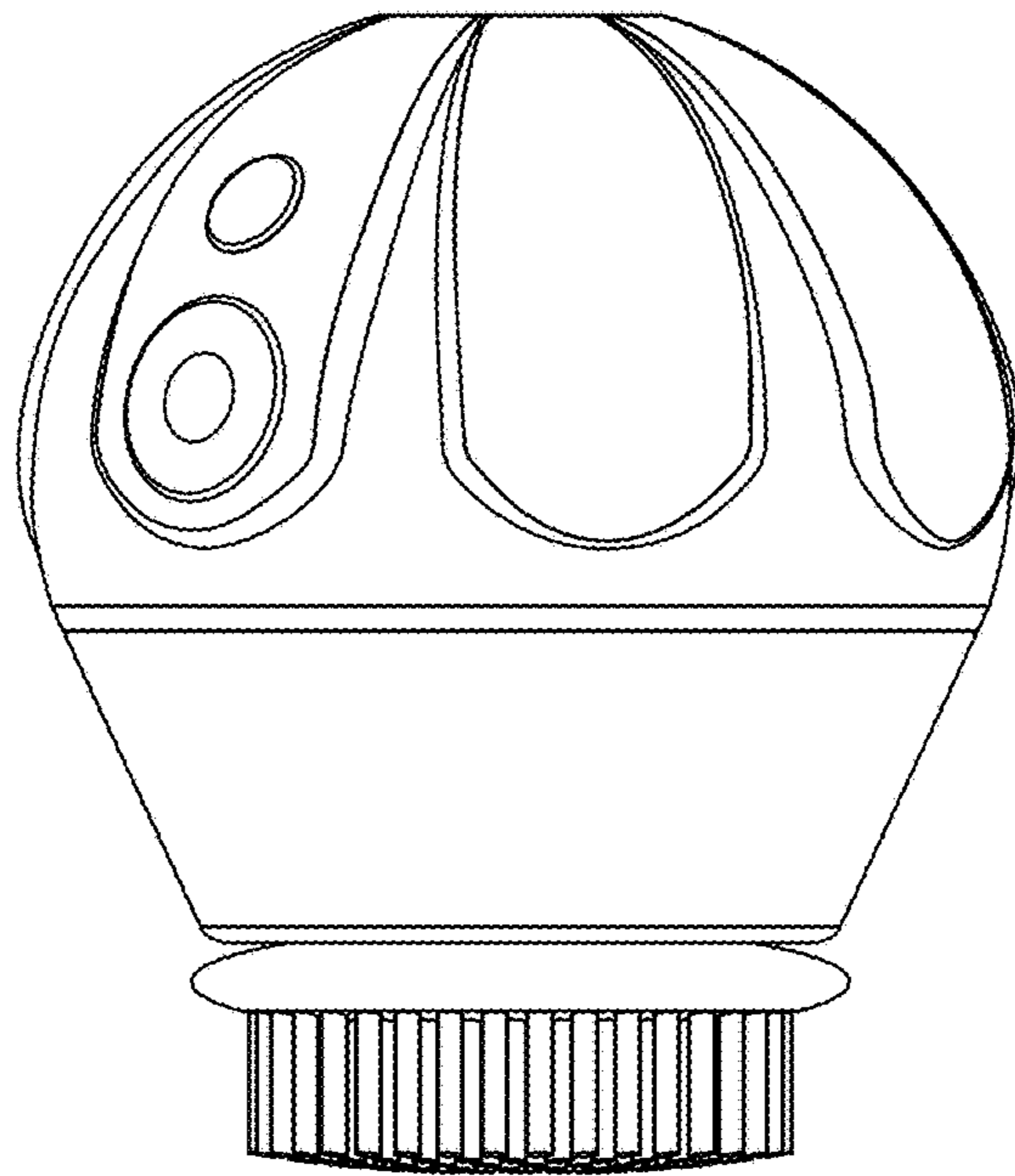


FIG. 11

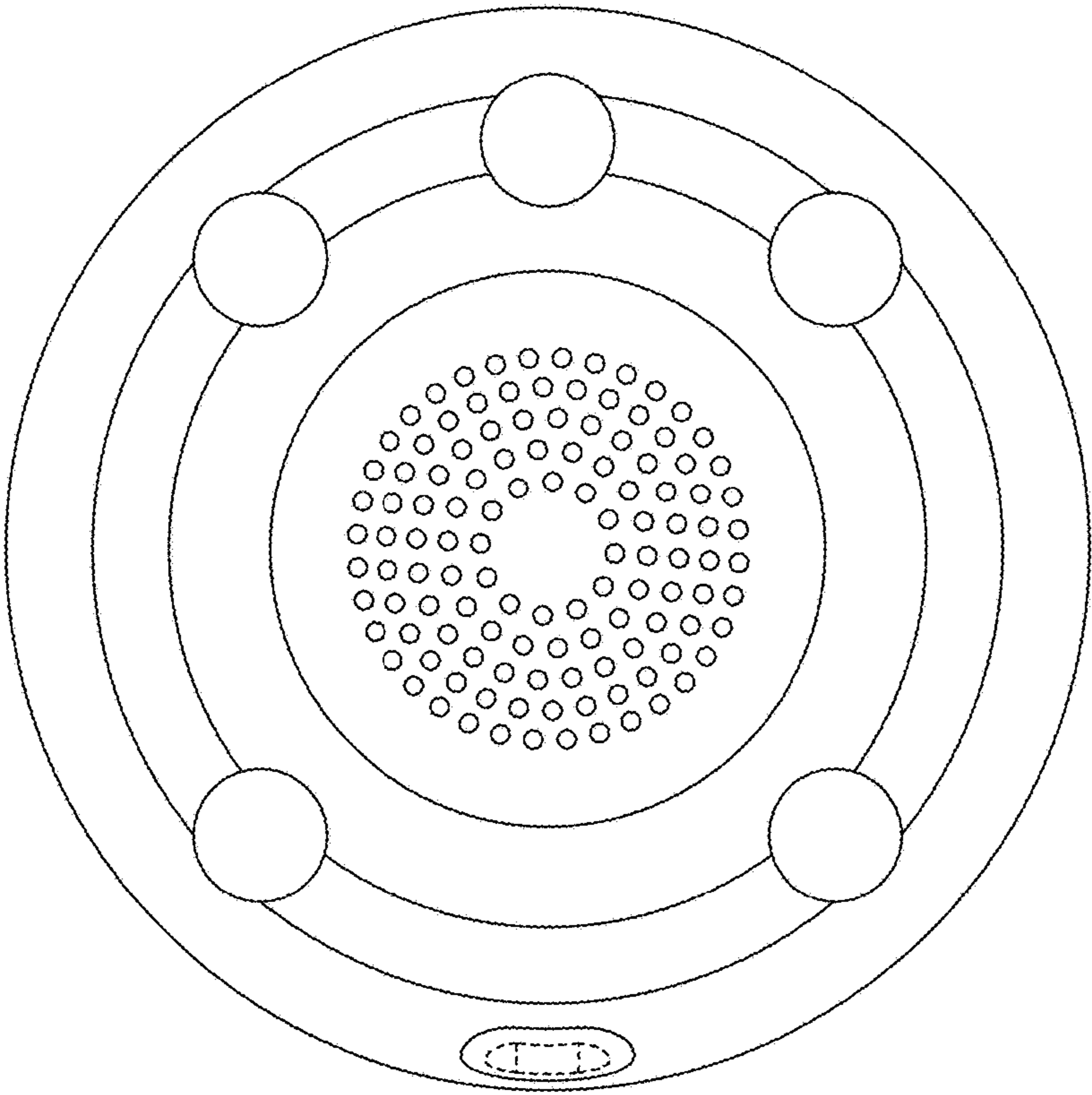


FIG. 12

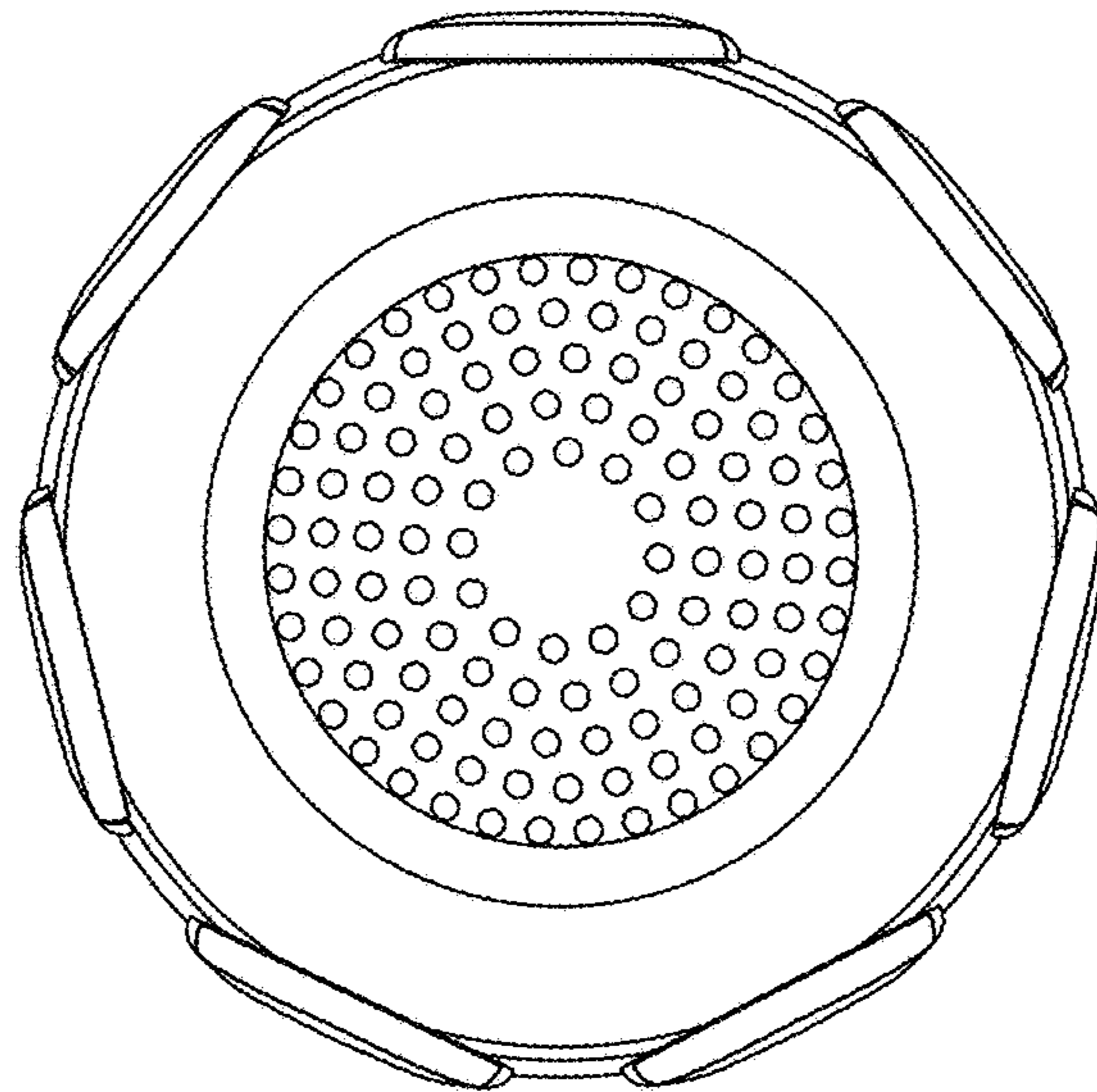


FIG. 13

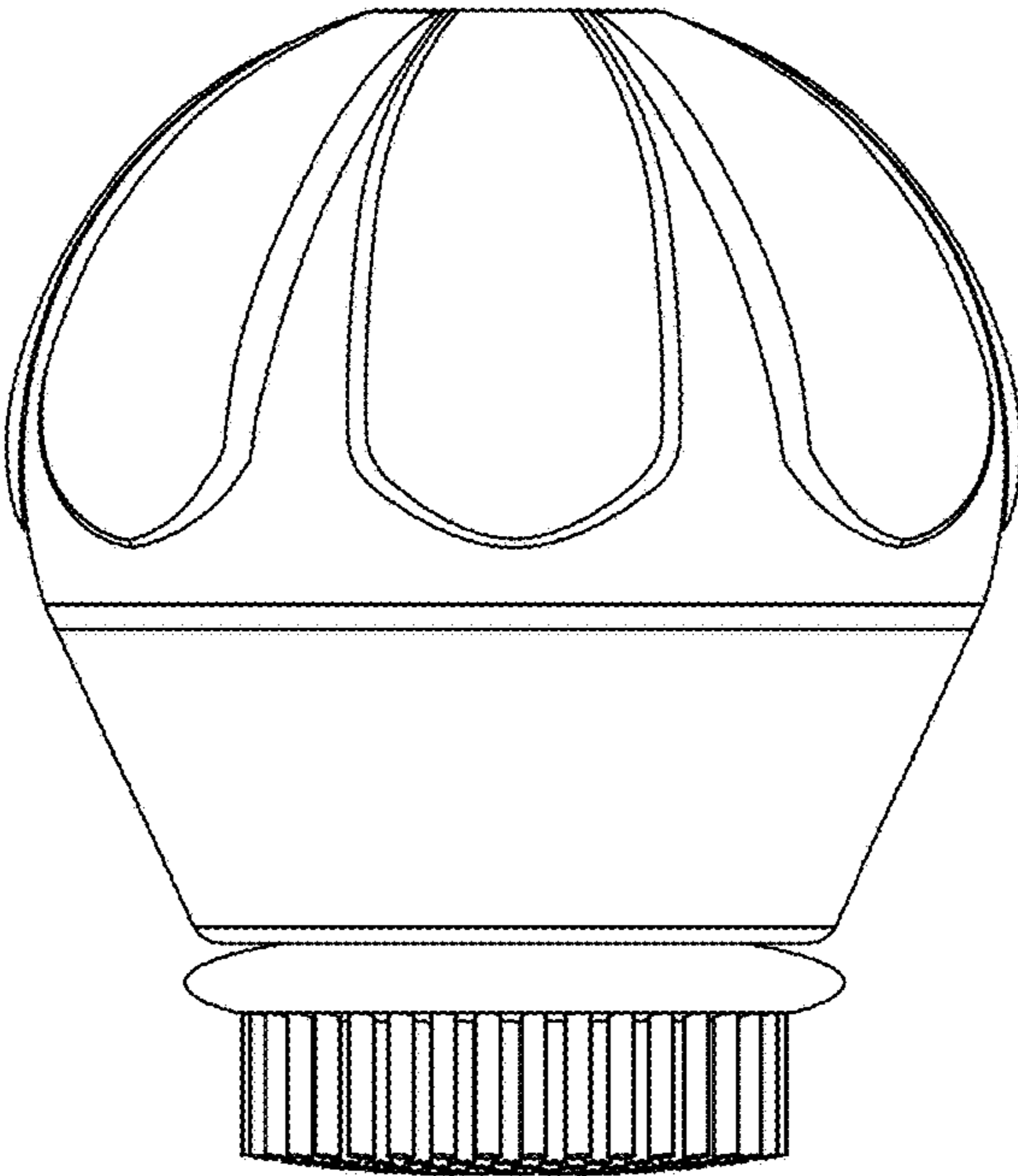


FIG. 14

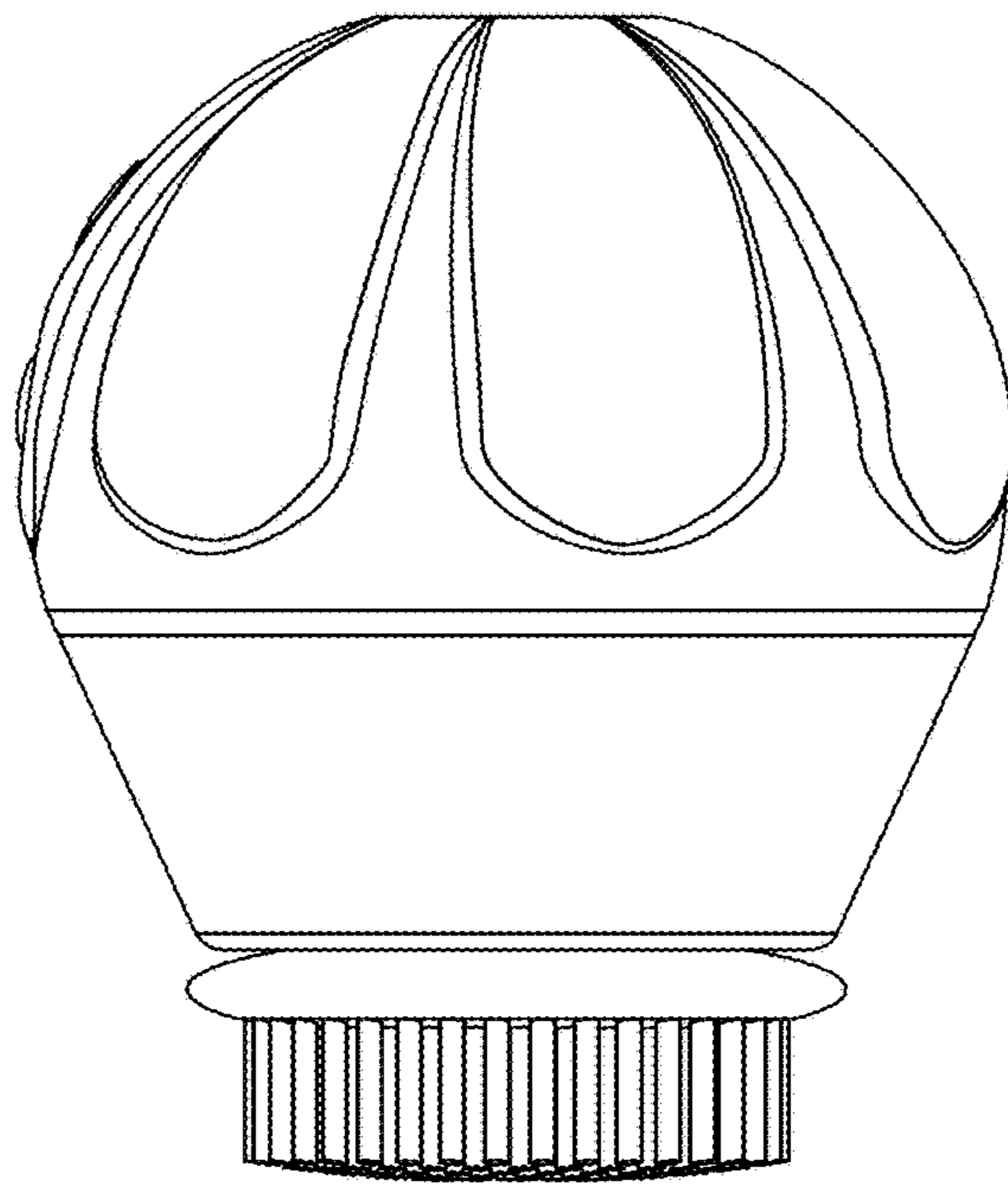


FIG. 15

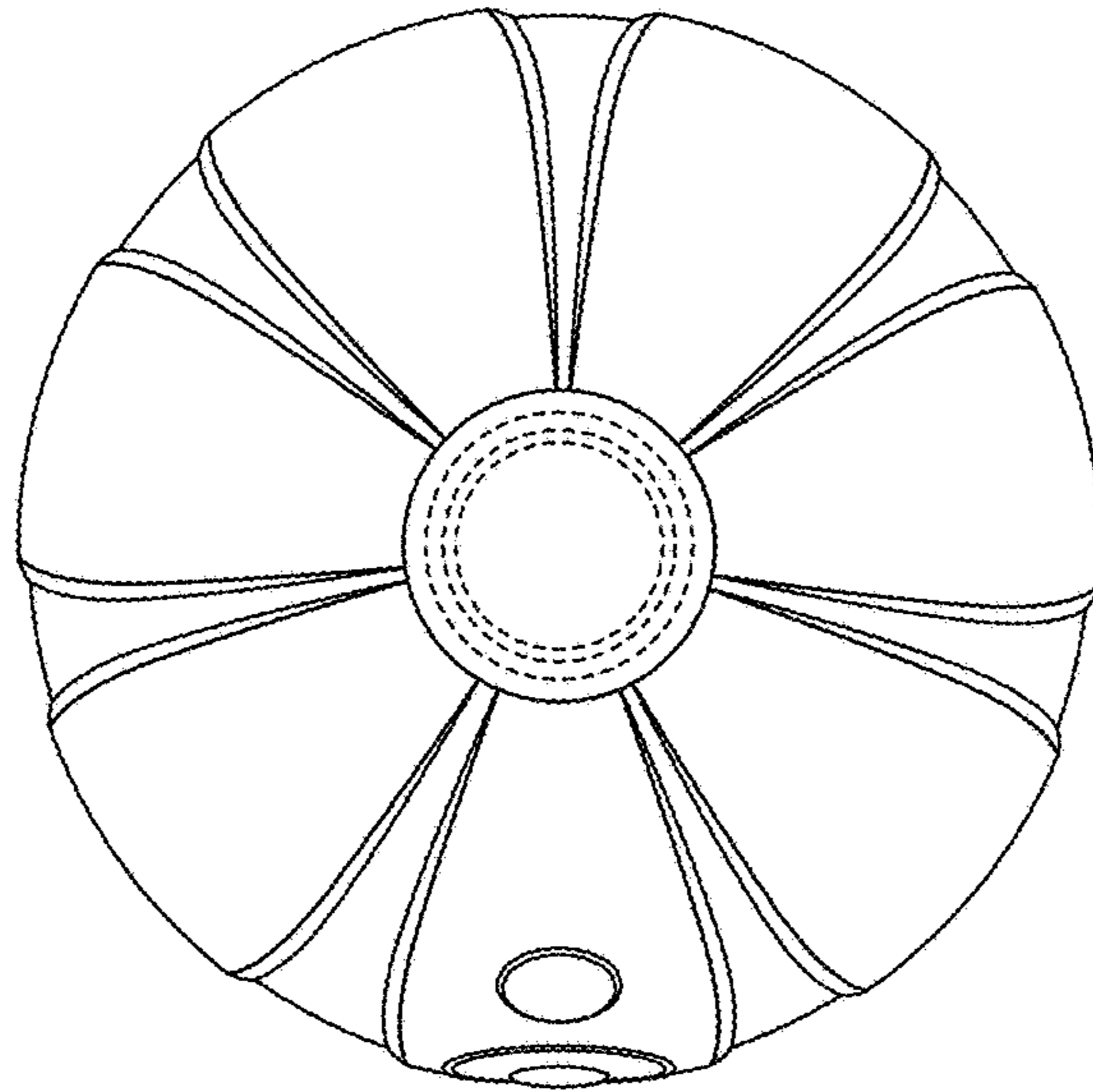


FIG. 16

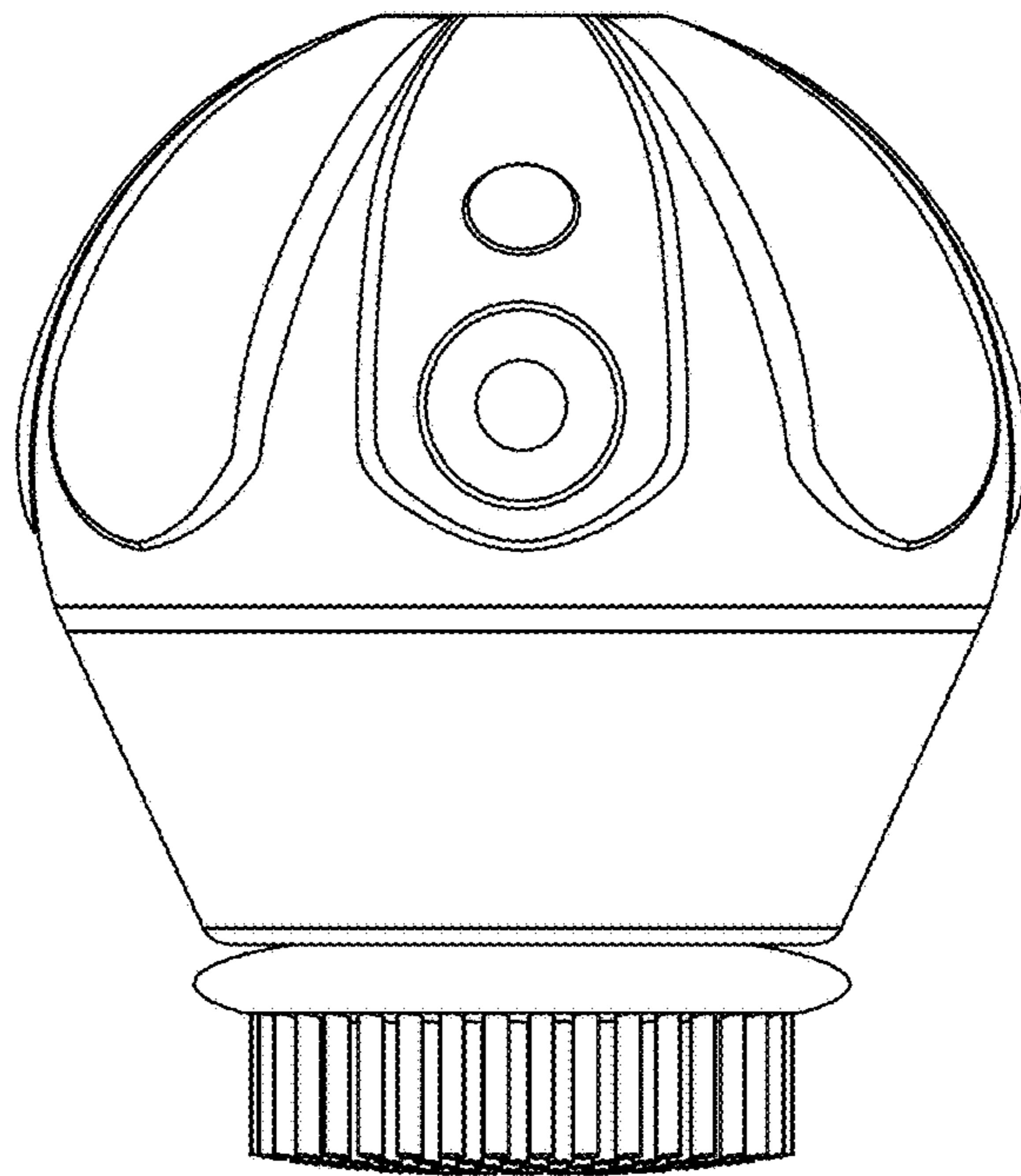


FIG. 17

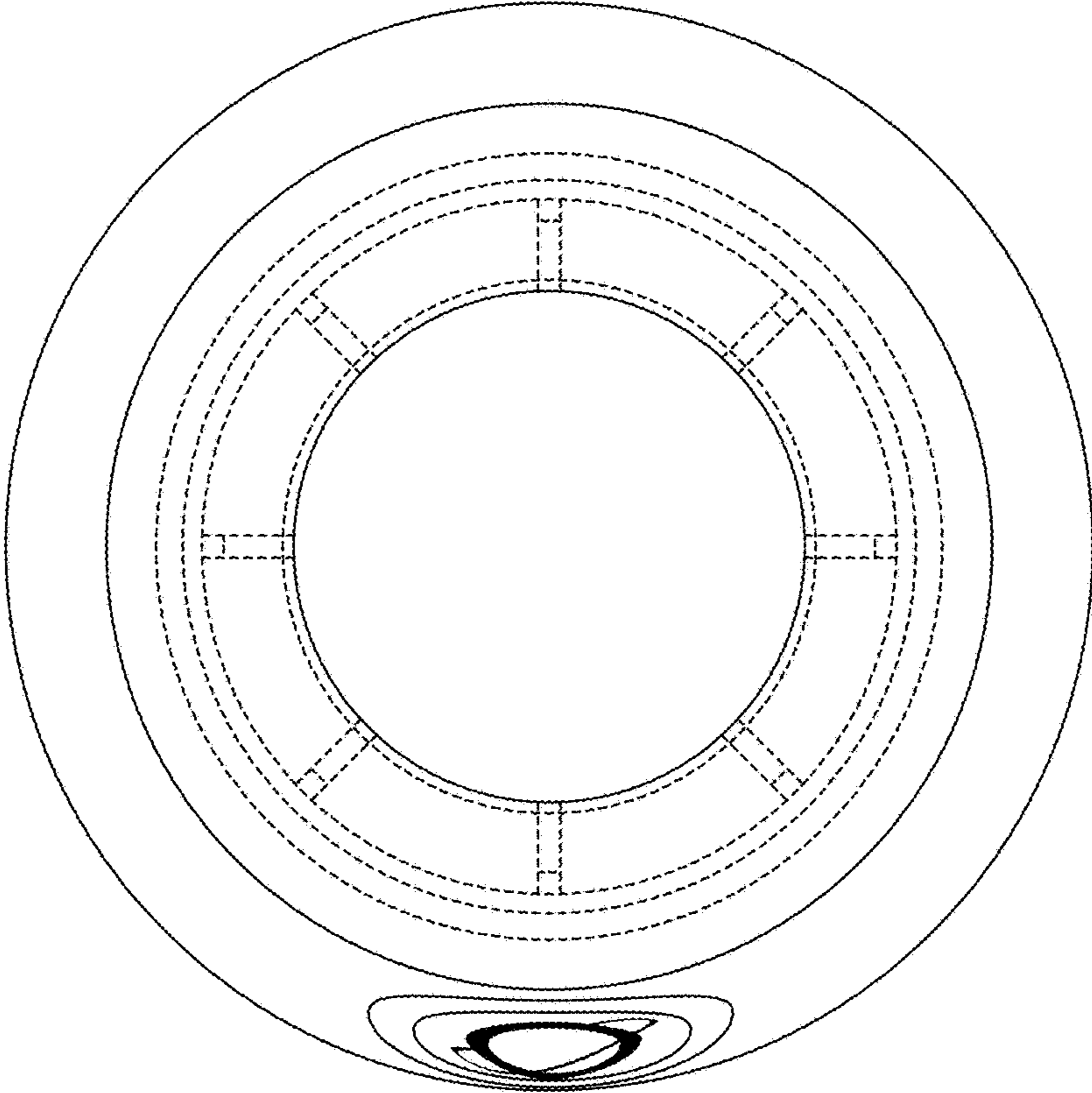


FIG. 18