



US00D850110S

(12) **United States Design Patent** (10) **Patent No.:** **US D850,110 S**
Heyman (45) **Date of Patent:** **** *Jun. 4, 2019**

(54) **CLOSURE DEVICE FOR A HANDBAG**
(71) Applicant: **Edie Parker LLC**, New York, NY (US)
(72) Inventor: **Brett Heyman**, New York, NY (US)
(73) Assignee: **Edie Parker LLC**, New York, NY (US)
(*) Notice: This patent is subject to a terminal disclaimer.
(**) Term: **15 Years**
(21) Appl. No.: **29/578,859**
(22) Filed: **Sep. 26, 2016**
(51) **LOC (11) Cl.** **03-01**
(52) **U.S. Cl.**
USPC **D3/324**
(58) **Field of Classification Search**
USPC D3/232, 233, 237, 318, 322, 324, 325,
D3/327; D8/356; D11/86, 87, 93, 218,
D11/220, 238, 241
CPC .. A44C 5/18; A44C 5/20; A44C 5/185; A44C
5/2009; A44C 5/2014; A45C 13/10
See application file for complete search history.

4,893,381 A * 1/1990 Frankel A44B 18/00
24/16 R
D355,767 S * 2/1995 Cobb D3/324
D476,809 S * 7/2003 Ko D3/232
D521,233 S * 5/2006 Gonzalez D3/232
D628,803 S * 12/2010 Gonzalez D3/318

OTHER PUBLICATIONS

Very Cool, Oh, my Bag!, Cristalli e geometrie, dated Nov. 28, 2008
<http://www.verycool.it/ohmybag/2008/11/28/cristalli-e-geometrie/>.

* cited by examiner

Primary Examiner — Susan E Krakower
Assistant Examiner — L. A. Grabenstetter
(74) *Attorney, Agent, or Firm* — Springut Law PC;
Milton Springut

(57) **CLAIM**

The ornamental design for a closure device for a handbag, as shown and described.

DESCRIPTION

FIG. 1 is a perspective view of a closure device for a handbag showing my new design.
FIG. 2 is a front view thereof.
FIG. 3 is a rear view thereof.
FIG. 4 is a left side view thereof.
FIG. 5 is a right side view thereof.
FIG. 6 is a top view thereof; and,
FIG. 7 is a bottom view thereof.
The broken lines depicting a handbag represents unclaimed environment.

1 Claim, 4 Drawing Sheets

(56) **References Cited**
U.S. PATENT DOCUMENTS
D73,333 S * 8/1927 Poeter D3/324
D76,901 S * 11/1928 Sherman D3/324
D80,007 S * 11/1929 McCabe et al. D3/324
D101,161 S * 9/1936 Carlin D3/324
D105,375 S * 7/1937 Ferrara D3/324
D106,134 S * 9/1937 Ferrara D3/324
D116,658 S * 9/1939 Goldsmith D3/246
D120,595 S * 5/1940 Reilly D3/324
D138,986 S * 10/1944 De Pasquale et al. D3/324
D144,060 S * 3/1946 Leifer et al. D3/324

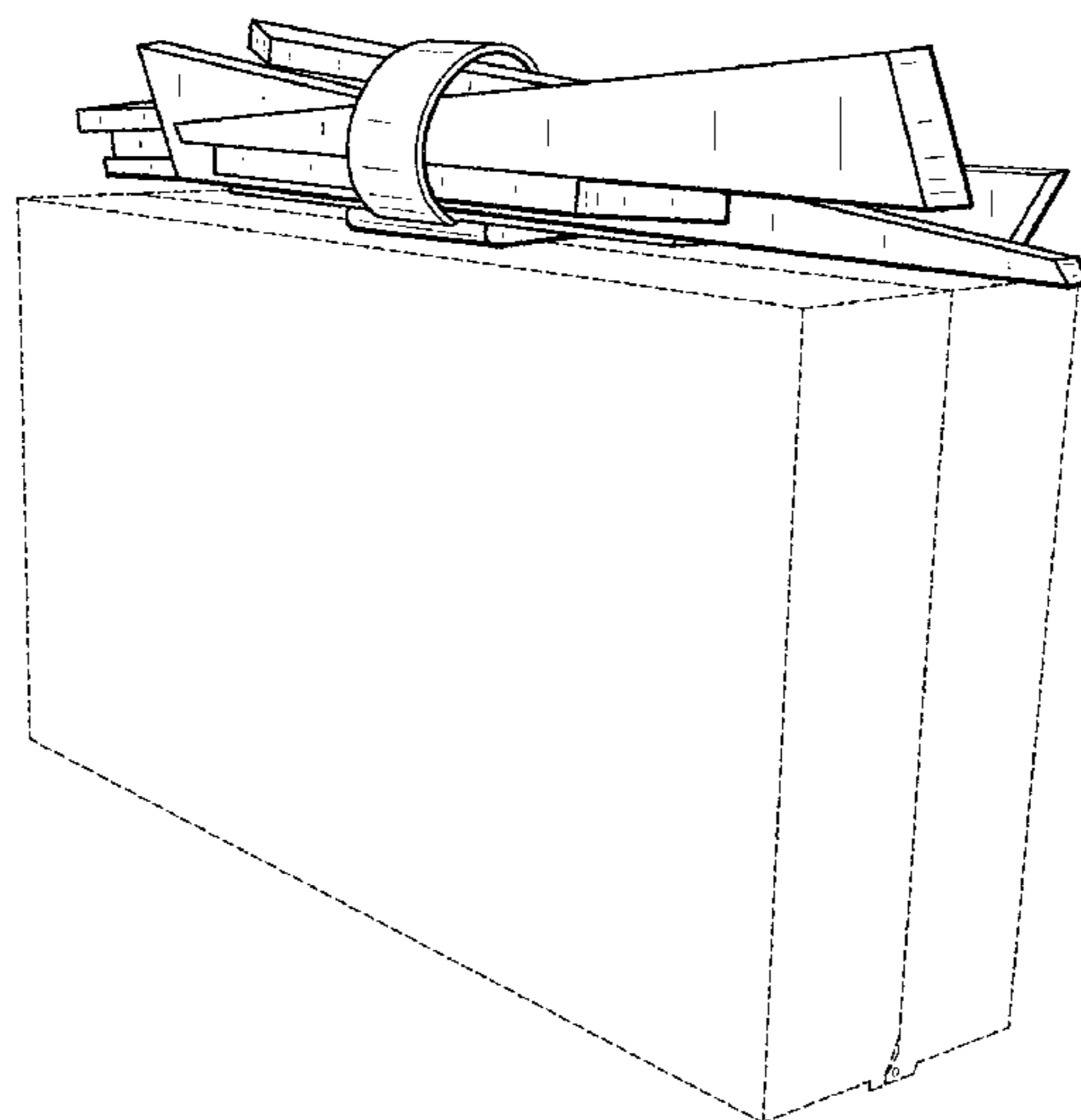


FIG. 1

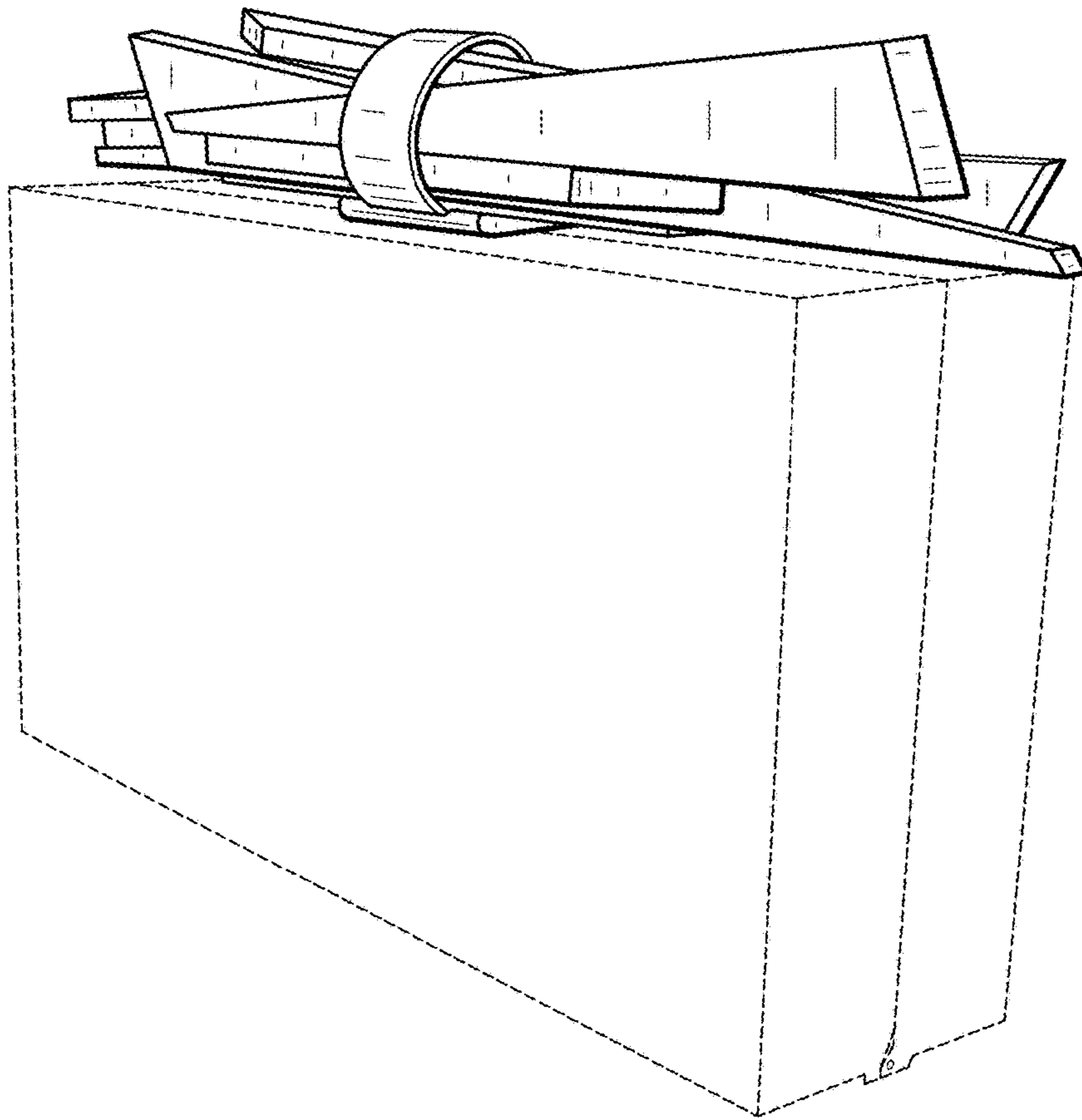


FIG. 2

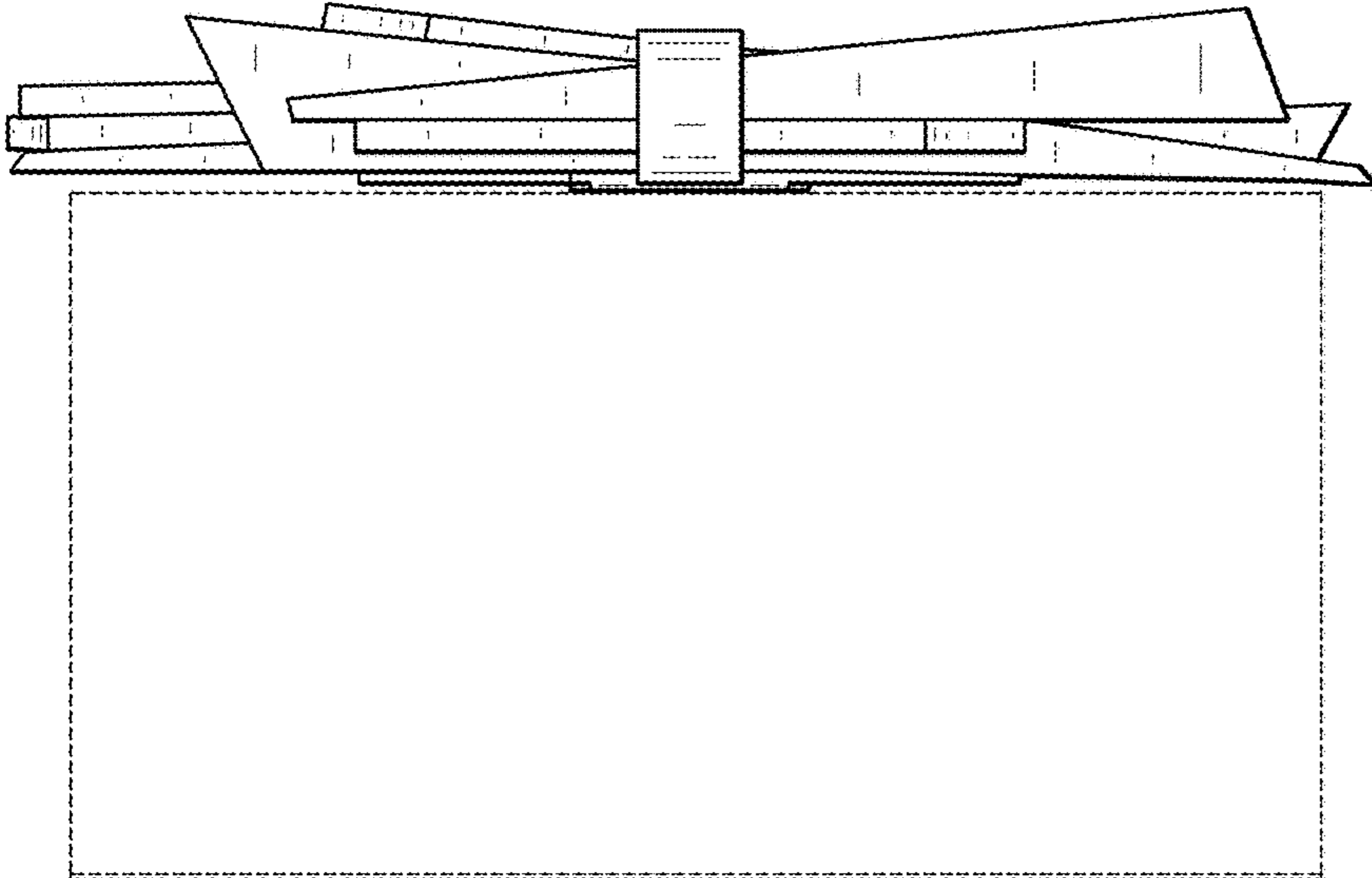


FIG. 3

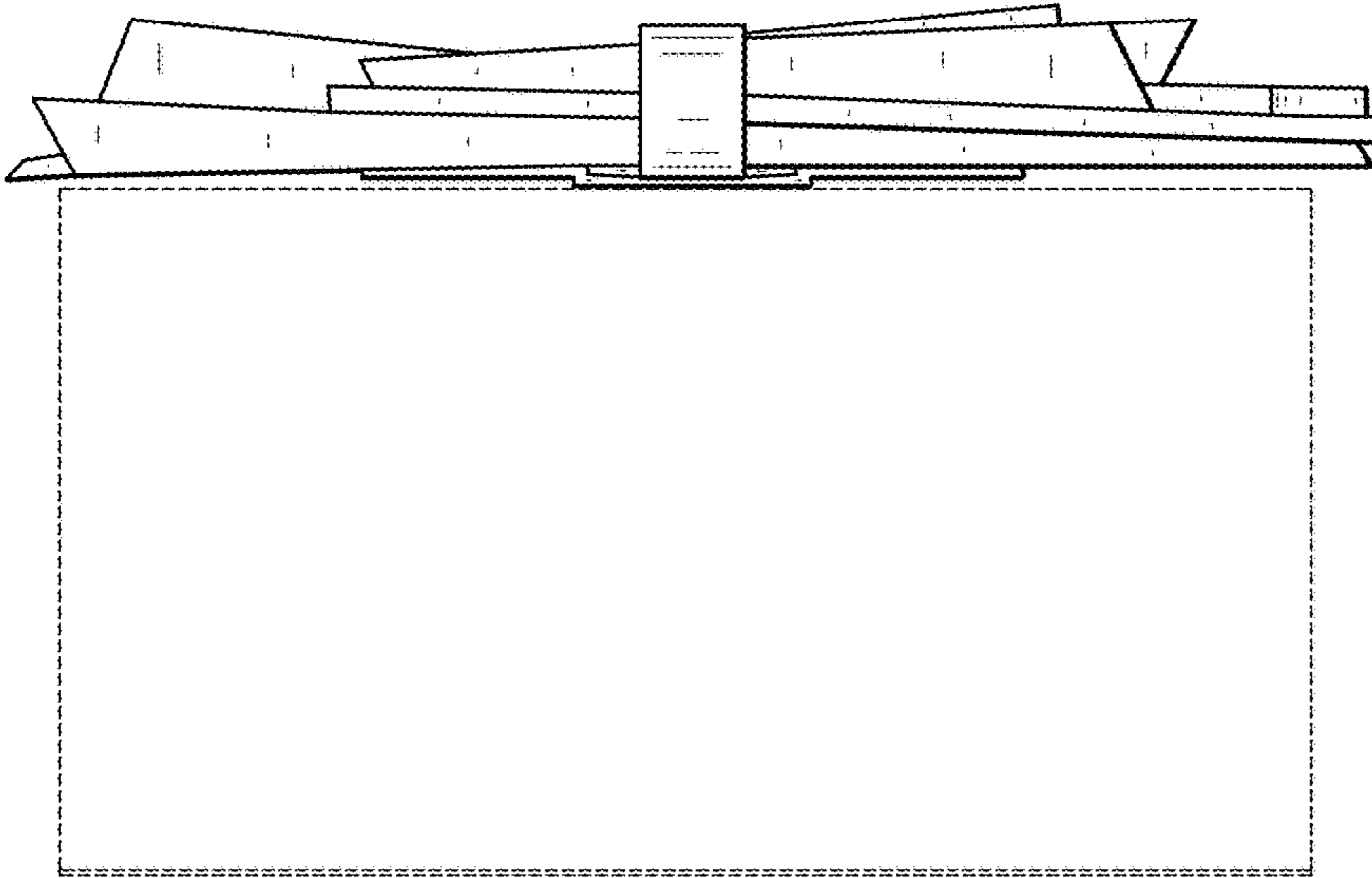


FIG. 4

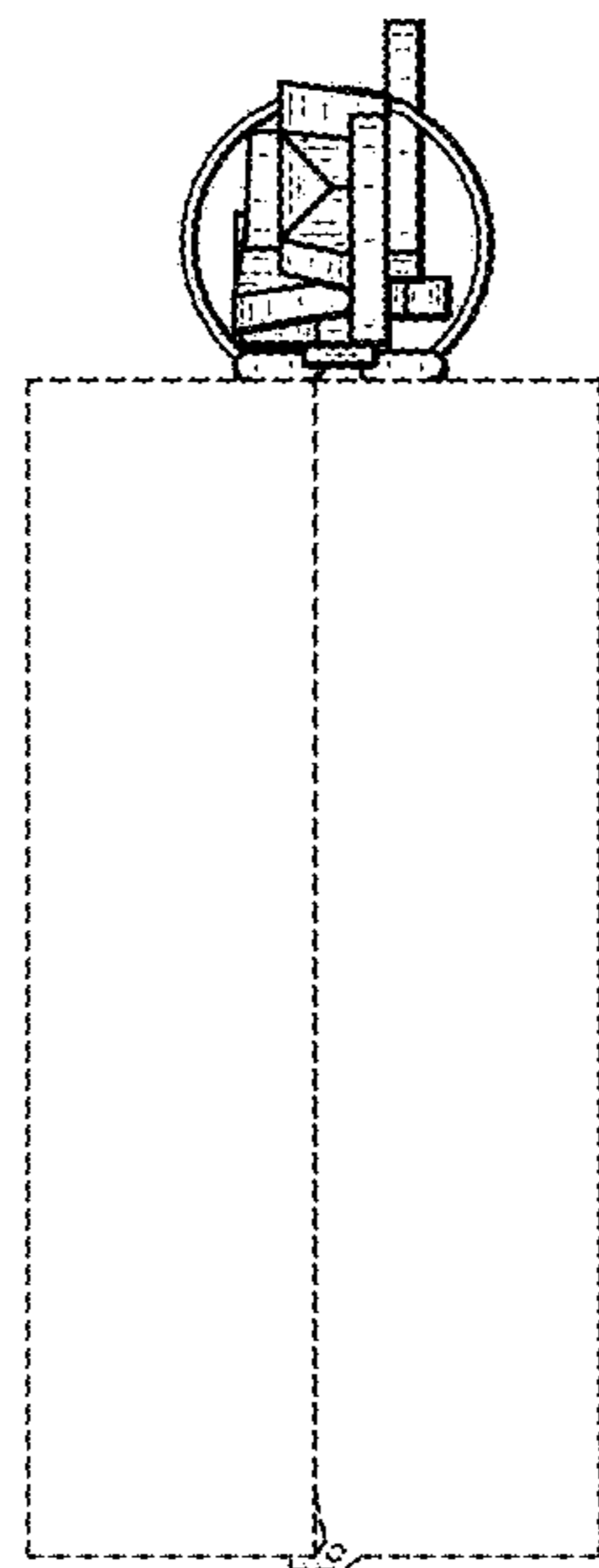


FIG. 5

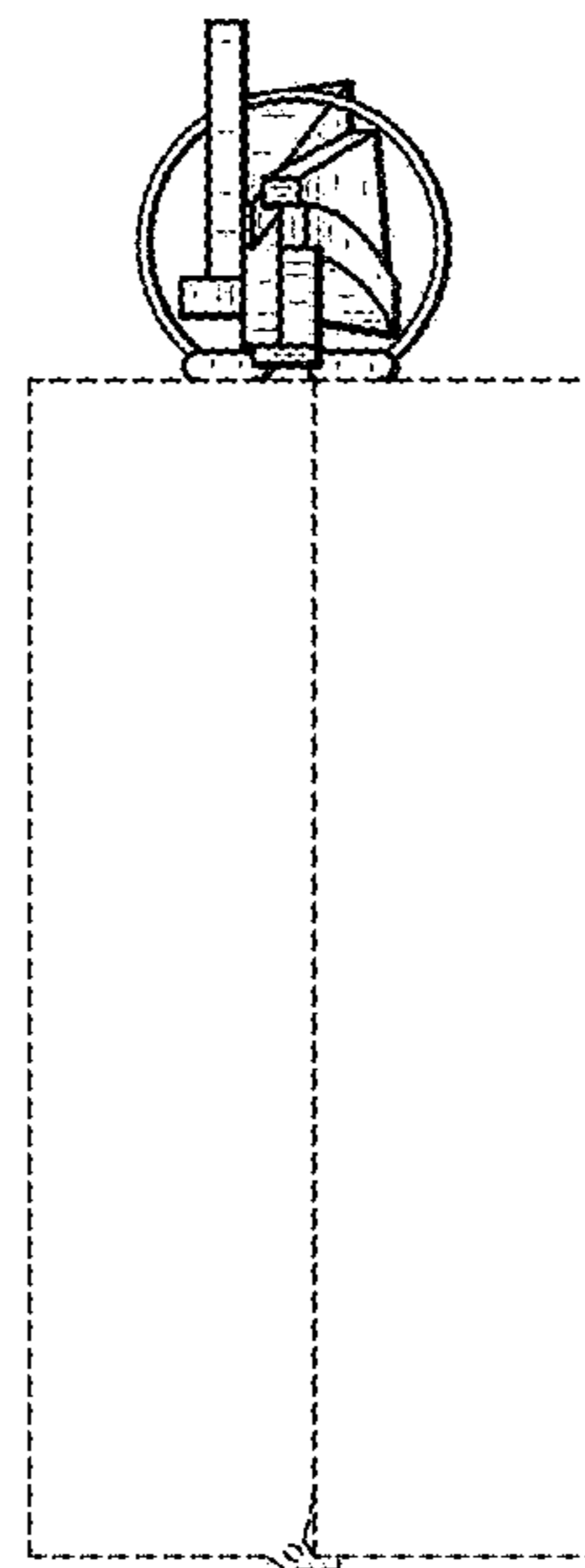


FIG. 6

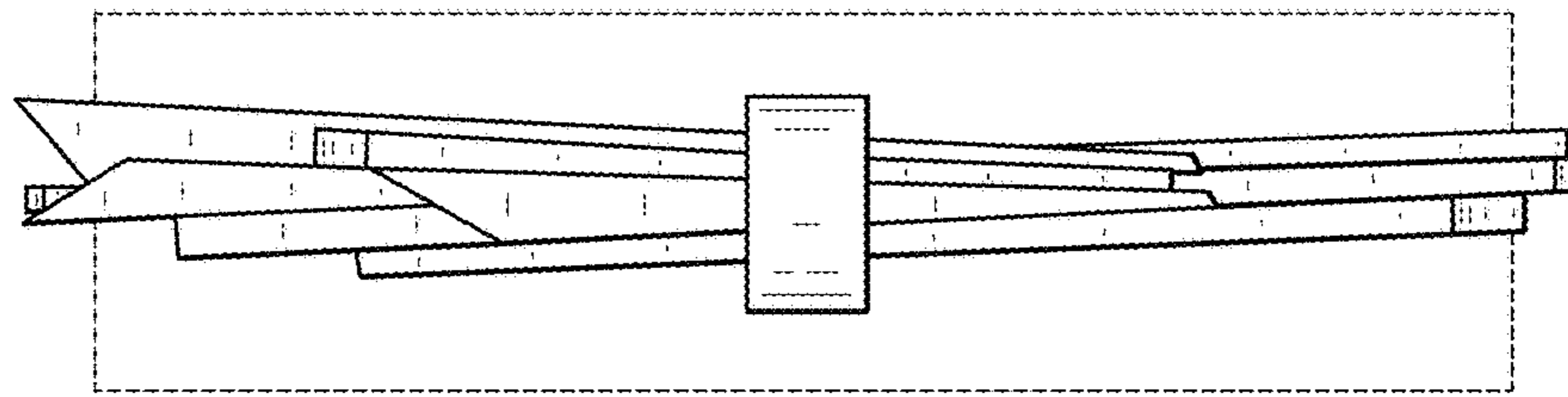


FIG. 7

