



US00D850107S

(12) **United States Design Patent** (10) **Patent No.:** **US D850,107 S**
Dehmoubed et al. (45) **Date of Patent:** **** Jun. 4, 2019**

- (54) **TROLLEY BAG**
- (71) Applicant: **Golden Eye Media USA Inc.,**
Carlsbad, CA (US)
- (72) Inventors: **Farzan Dehmoubed,** Carlsbad, CA
(US); **Jennifer Duvall,** Carlsbad, CA
(US)
- (73) Assignee: **Golden Eye Media USA, Inc.,**
Carlsbad, CA (US)
- (**) Term: **15 Years**
- (21) Appl. No.: **29/640,365**
- (22) Filed: **Mar. 14, 2018**
- (51) **LOC (11) Cl.** **03-01**
- (52) **U.S. Cl.**
USPC **D3/307**
- (58) **Field of Classification Search**
USPC D3/20, 26, 304, 305, 307-311, 315,
D3/318-319, 321-322
CPC .. A45C 3/00; A45C 3/001; A45C 3/04; A45C
7/00; A45C 7/0018; A45C 7/0059; B65D
37/00
See application file for complete search history.

7,353,963	B1 *	4/2008	Sabounjian	D06F 95/002 220/754
D572,472	S *	7/2008	Saconay-Duhart	D3/246
D587,010	S *	2/2009	Deck	D3/246
D603,606	S *	11/2009	Wang	D3/232
D622,960	S *	9/2010	Sabounjian	D3/305
D630,013	S *	1/2011	Yu	D3/232
D630,844	S *	1/2011	Wang	D3/232
D711,096	S *	8/2014	Hanna	D3/232
D720,131	S *	12/2014	Siegel	D3/233
D732,294	S *	6/2015	Hu	D3/319
D758,731	S *	6/2016	Noh	D3/304
D759,370	S *	6/2016	Godzich	D3/216
D763,575	S *	8/2016	Tiscareno-Rippe	D3/290
D767,278	S *	9/2016	Szucs	D3/305
D768,378	S *	10/2016	Schilp	D3/232
D775,057	S *	12/2016	Meckler	D12/407
D776,929	S *	1/2017	Noh	D3/315
D779,828	S *	2/2017	Cronkshaw	D3/315
D792,100	S *	7/2017	Wood	D3/307
D801,043	S *	10/2017	Lucas	D3/246

(Continued)

Primary Examiner — Kelley A Donnelly
(74) Attorney, Agent, or Firm — Maschoff Brennan

(57) **CLAIM**

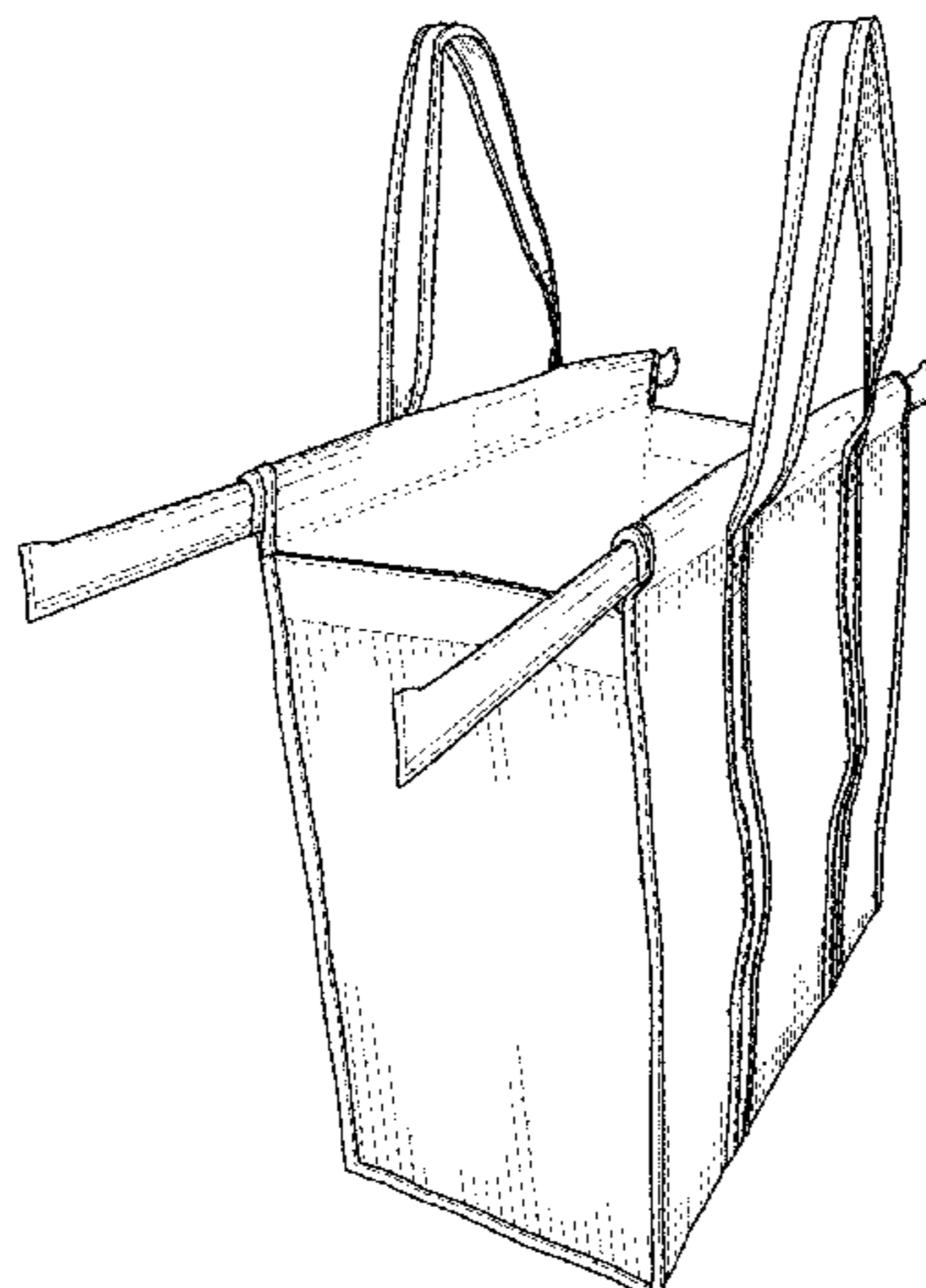
The ornamental design for a trolley bag, as shown and described.

DESCRIPTION

FIG. 1 is a perspective view of a trolley bag;
FIG. 2 is a front view of the trolley bag;
FIG. 3 is a back view of the trolley bag;
FIG. 4 is a left side view of the trolley bag;
FIG. 5 is a right side view of the trolley bag;
FIG. 6 is a top view of the trolley bag;
FIG. 7 is a bottom view of the trolley bag; and,
FIG. 8 is another perspective view of the trolley bag.
The broken lines shown in the figures are for illustrative purposes only and form no part of the claimed design.

1 Claim, 6 Drawing Sheets

- (56) **References Cited**
U.S. PATENT DOCUMENTS
- D328,522 S * 8/1992 Buck D3/303
- 5,971,188 A * 10/1999 Kellogg D06F 95/004
190/126
- D431,361 S * 10/2000 Kellogg D3/304
- D444,297 S * 7/2001 Starck D3/276
- D489,179 S * 5/2004 Ho D3/303
- D497,050 S * 10/2004 Grambush D3/246
- D508,320 S * 8/2005 Holland D3/303
- D524,542 S * 7/2006 Hardy D3/309
- D548,459 S * 8/2007 Harvey D3/246
- D562,555 S * 2/2008 Shapiro D3/303



(56)

References Cited

U.S. PATENT DOCUMENTS

D809,798	S *	2/2018	Hernandez	D3/309
D816,338	S *	5/2018	Stowe	D3/307
D831,959	S *	10/2018	Hollinger	D3/246
D832,579	S *	11/2018	Monroe	D3/307
D835,912	S *	12/2018	Dehmoubed	D3/315
2001/0020618	A1 *	9/2001	Kellogg	D06F 95/004 220/9.2
2005/0117817	A1 *	6/2005	Mogil	A45C 7/0077 383/110
2010/0014785	A1 *	1/2010	Deck	A45C 3/04 383/12
2010/0084443	A1 *	4/2010	Adelman	A45C 7/0059 224/153
2010/0086237	A1 *	4/2010	Diepen	A45C 3/04 383/12
2010/0200450	A1 *	8/2010	Weed	A45C 3/04 206/459.5
2011/0167863	A1 *	7/2011	Herrbold	A45C 13/02 62/457.1
2014/0248004	A1 *	9/2014	Weinberg	A45C 7/0077 383/6
2014/0369629	A1 *	12/2014	De La Fuente Lara	A45C 3/001 383/17
2015/0351507	A1 *	12/2015	Morrow	A45C 3/04 220/495.06
2016/0309864	A1 *	10/2016	Mogil	A45C 3/001
2017/0158377	A9 *	6/2017	Zivan	A45C 3/04

* cited by examiner

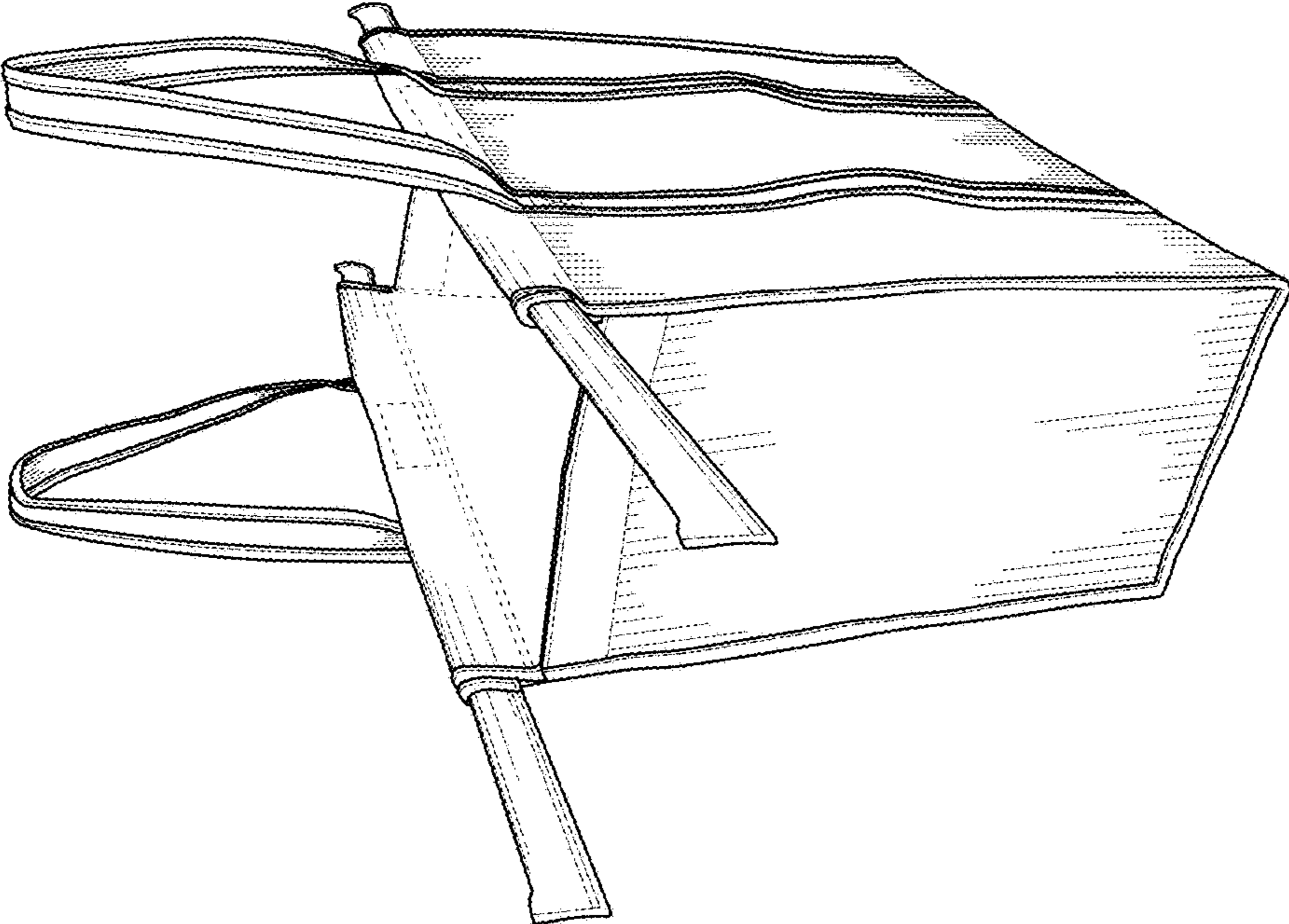


FIG. 1

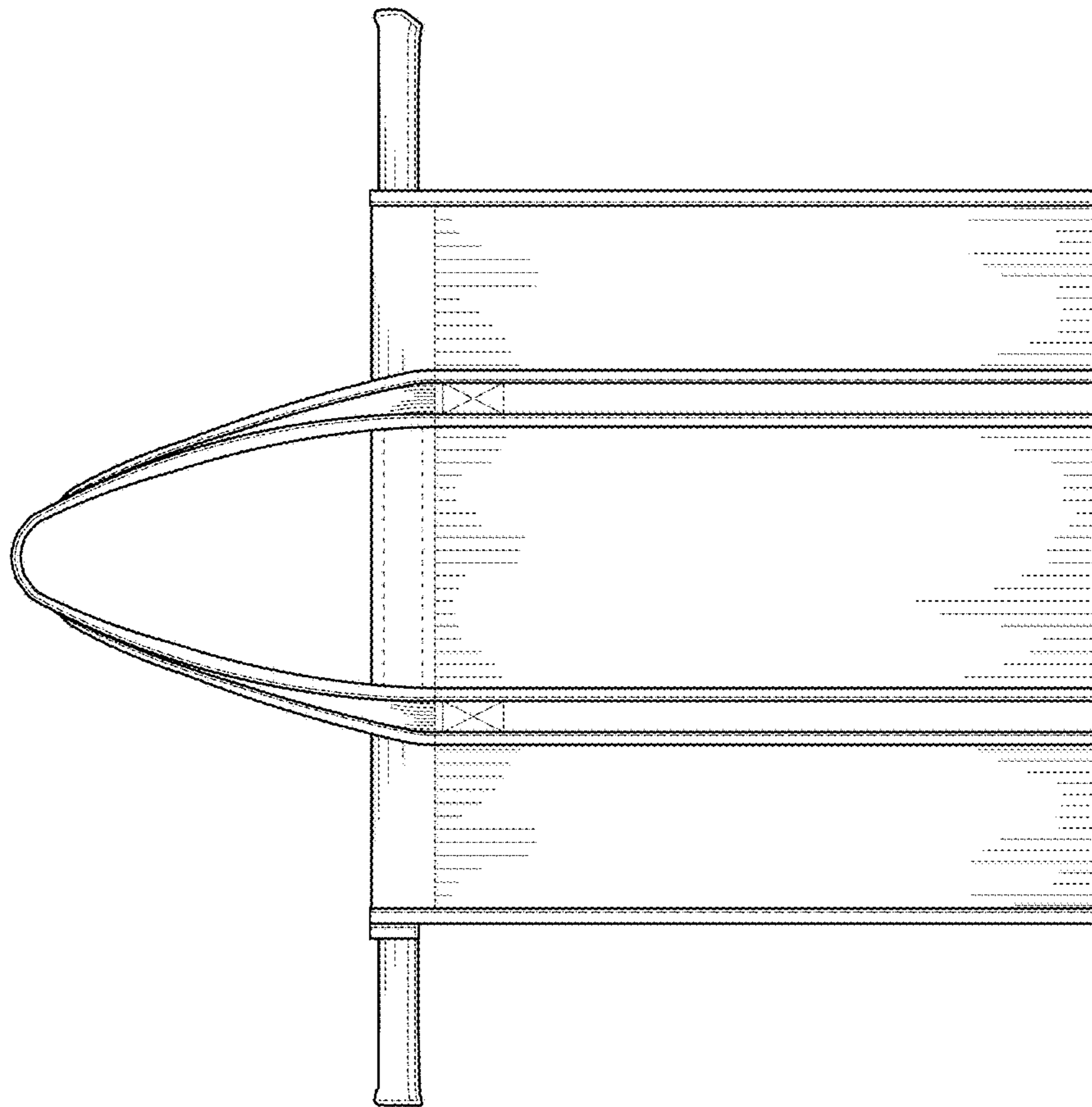


FIG. 2

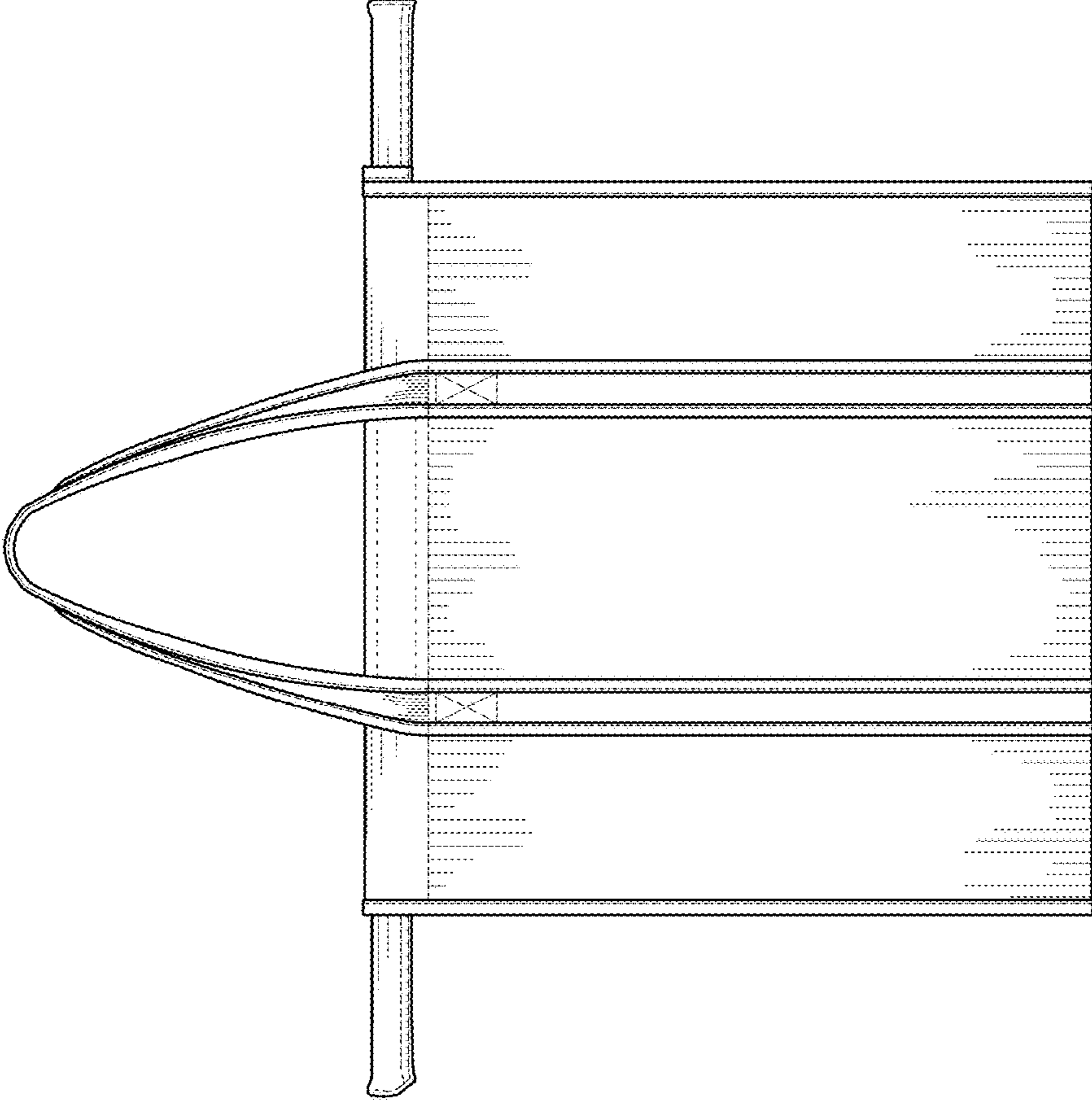


FIG. 3

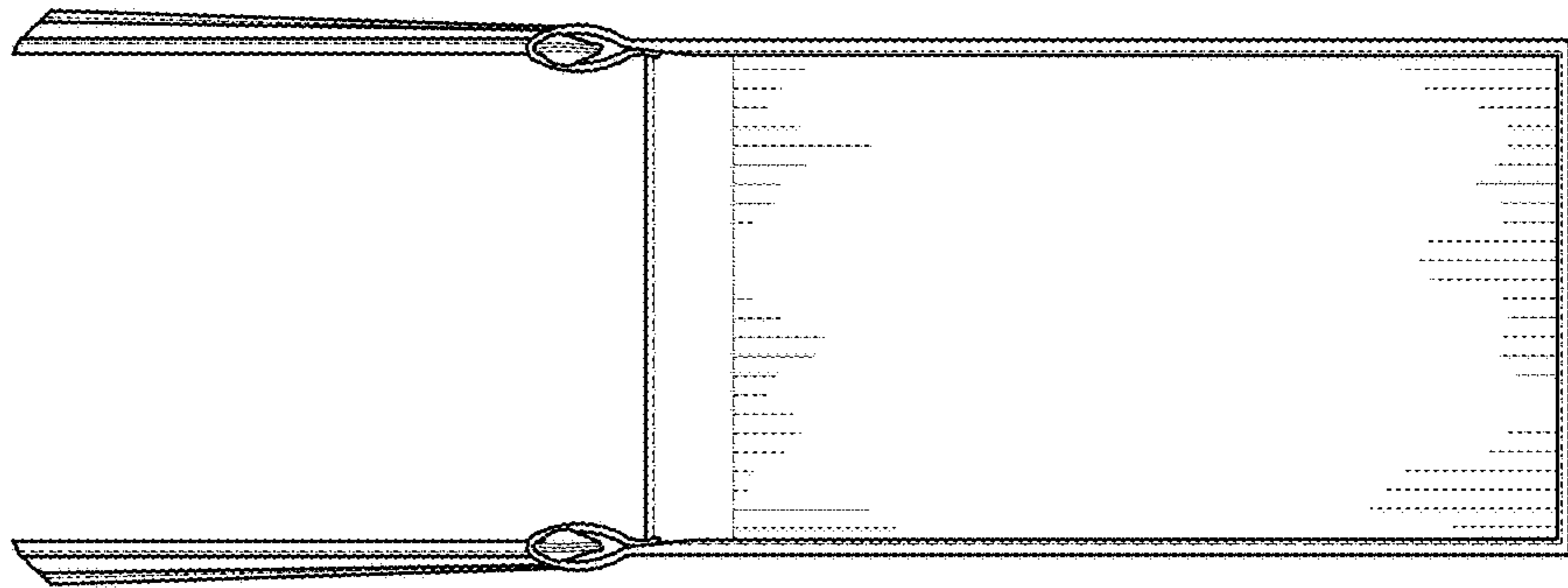


FIG. 5

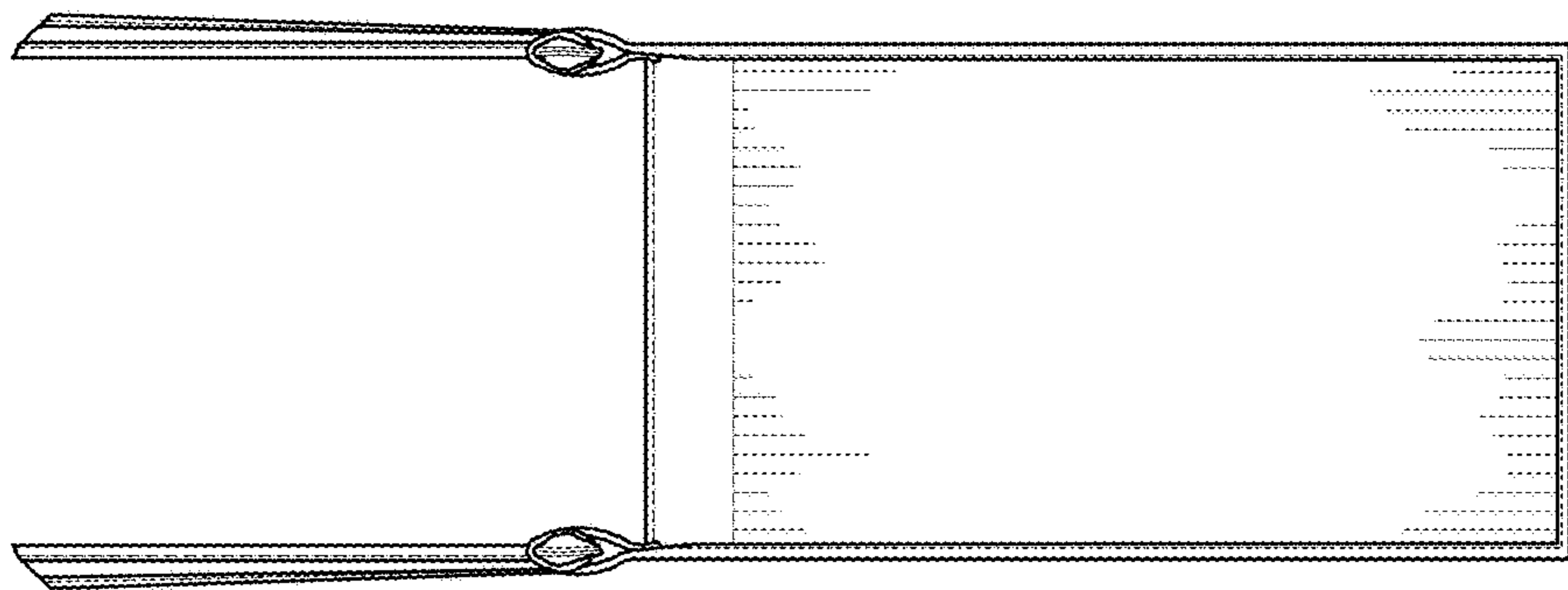


FIG. 4

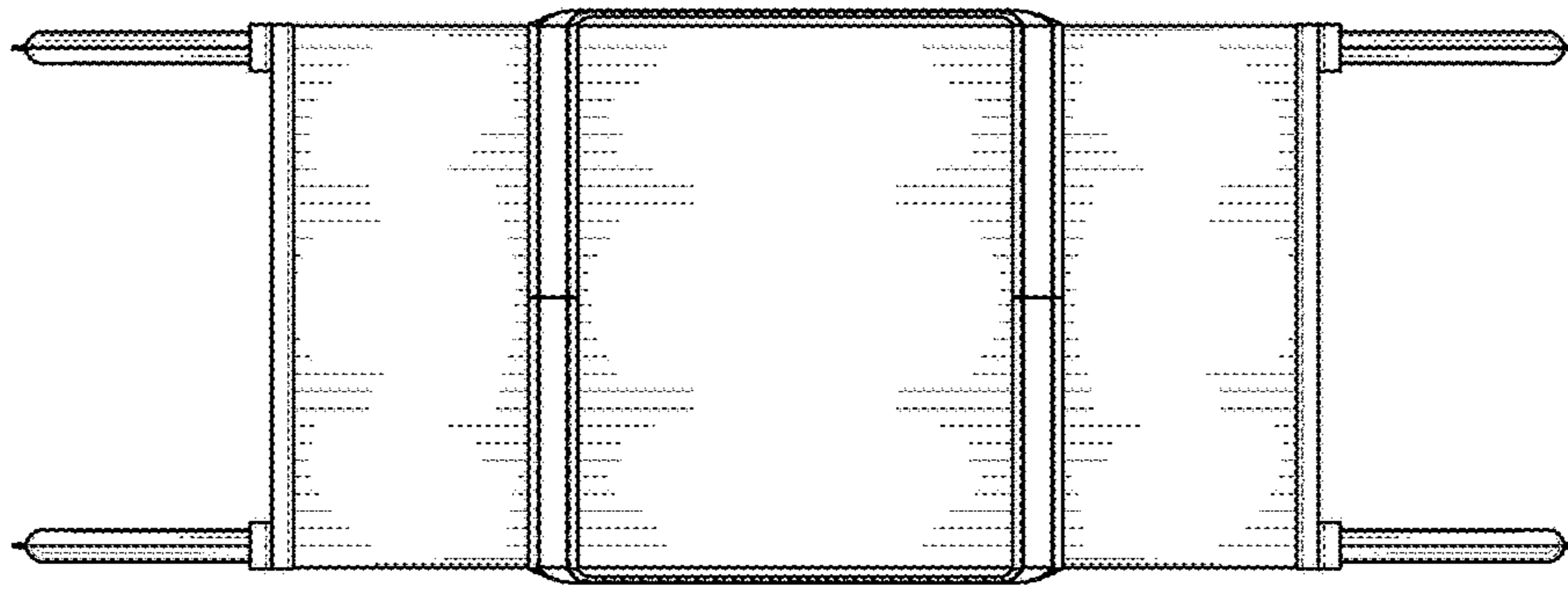


FIG. 7

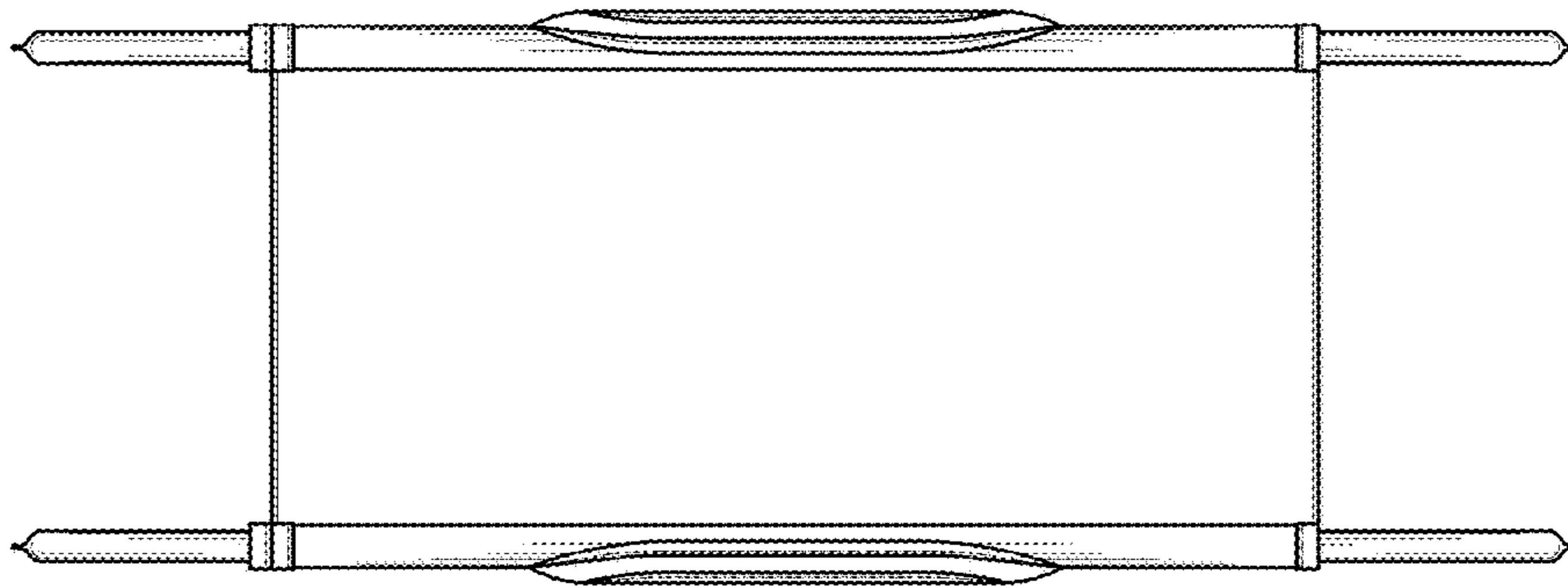


FIG. 6

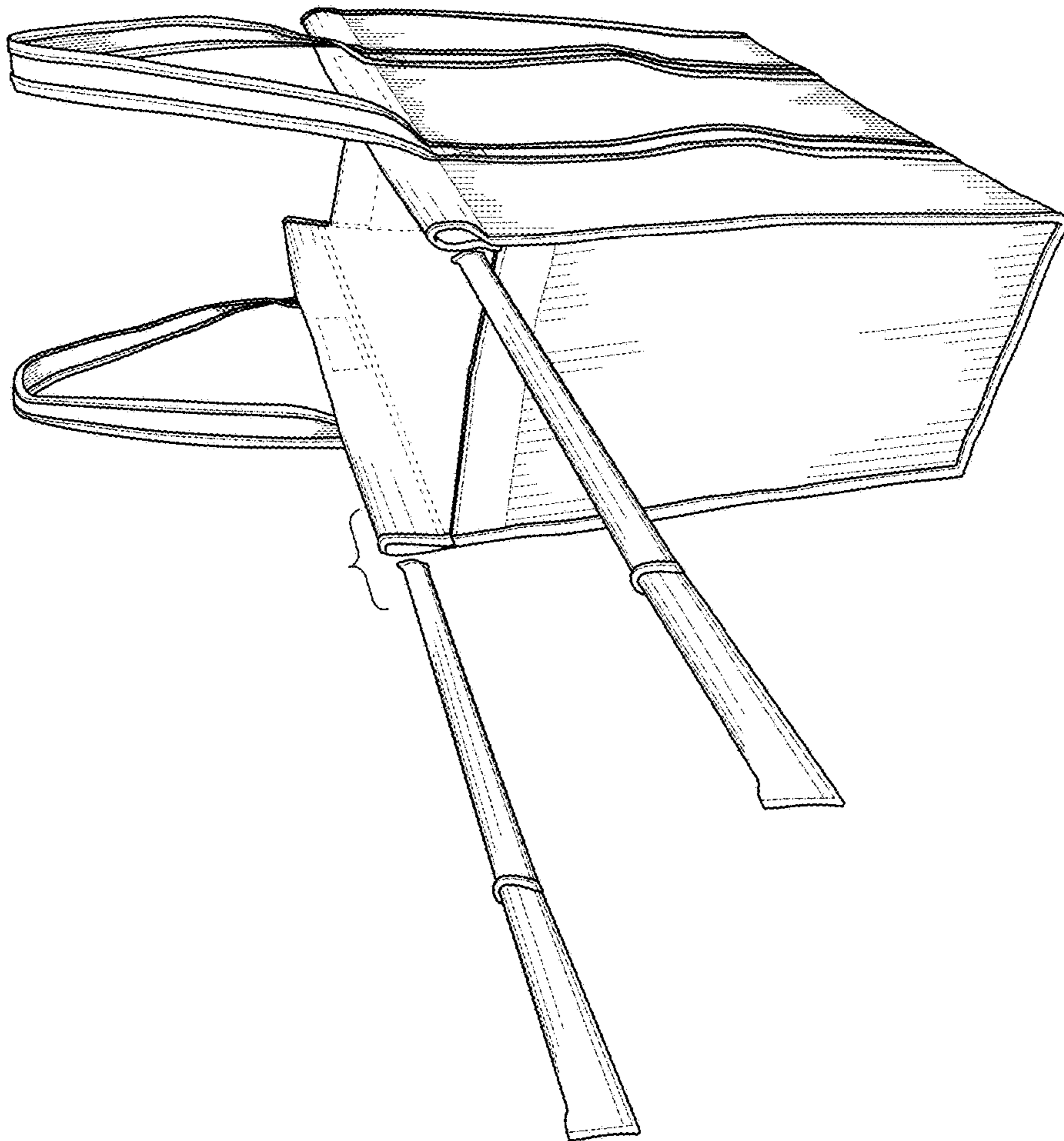


FIG. 8



US00D850107C1

(12) **EX PARTE REEXAMINATION CERTIFICATE** (12026th)
United States Patent
Dehmoubed et al.

(10) **Number:** **US D850,107 C1**
(45) **Certificate Issued:** **Apr. 1, 2022**

(54) **TROLLEY BAG**

(71) Applicant: **Golden Eye Media USA Inc.**,
Carlsbad, CA (US)

(72) Inventors: **Farzan Dehmoubed**, Carlsbad, CA
(US); **Jennifer Duvall**, Carlsbad, CA
(US)

(73) Assignee: **GOLDEN EYE MEDIA USA INC.**,
Carlsbad, CA (US)

(51) **LOC (13) Cl.** 03-01

(52) **U.S. Cl.**
USPC **D3/307**

(58) **Field of Classification Search**
USPC D3/20, 26, 304, 305, 307-311, 315,
D3/318-319, 321-322
CPC .. A45C 3/00; A45C 3/001; A45C 3/04; A45C
7/00; A45C 7/0018; A45C 7/0059; B65D
37/00

See application file for complete search history.

Reexamination Request:

No. 90/014,513, May 19, 2020

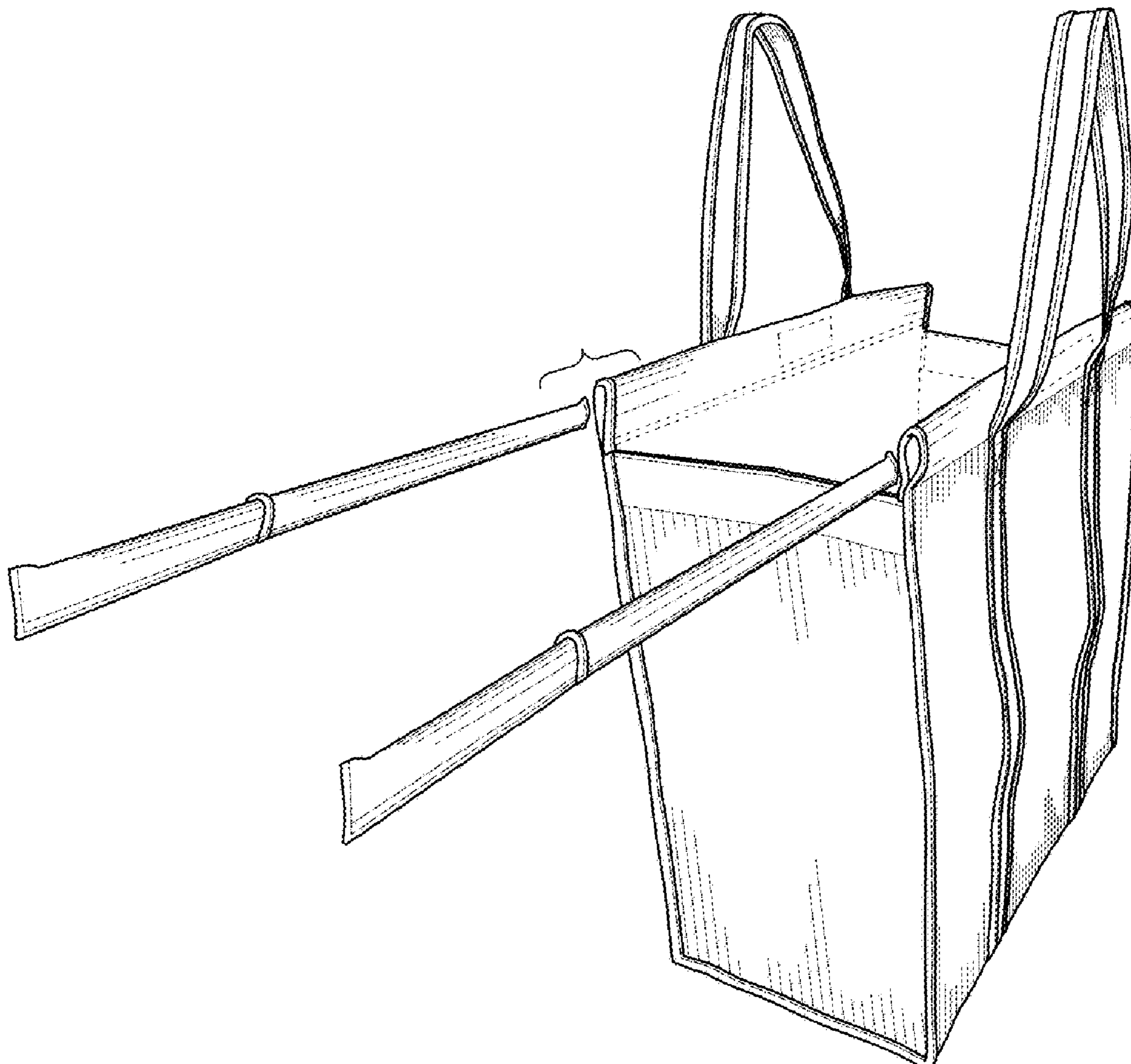
Reexamination Certificate for:

Patent No.: **Des. 850,107**
Issued: **Jun. 4, 2019**
Appl. No.: **29/640,365**
Filed: **Mar. 14, 2018**

(56) **References Cited**

To view the complete listing of prior art documents cited during the proceeding for Reexamination Control Number 90/014,513, please refer to the USPTO's public Patent Application Information Retrieval (PAIR) system under the Display References tab.

Primary Examiner — Ian Simmons



1
EX PARTE
REEXAMINATION CERTIFICATE

NO AMENDMENTS HAVE BEEN MADE TO 5
THE PATENT

AS A RESULT OF REEXAMINATION, IT HAS BEEN
DETERMINED THAT:

The patentability of claim 1 is confirmed. 10

* * * * *