



US00D850106S

(12) **United States Design Patent**
Yamamoto

(10) **Patent No.:** **US D850,106 S**
(45) **Date of Patent:** **** Jun. 4, 2019**

(54) **STORAGE CASE**

(71) Applicant: **Shinwa Co., Ltd.**, Niigata-Pref. (JP)

(72) Inventor: **Kazunobu Yamamoto**, Niigata-Pref. (JP)

(**) Term: **15 Years**

(21) Appl. No.: **29/609,814**

(22) Filed: **Jul. 6, 2017**

(30) **Foreign Application Priority Data**

Jan. 10, 2017 (JP) 2017-000225

(51) **LOC (11) Cl.** **03-01**

(52) **U.S. Cl.**
USPC **D3/297**

(58) **Field of Classification Search**
USPC D3/273, 274, 275, 276, 280, 281, 284,
D3/292, 294, 295, 296, 297, 298, 302,
D3/905, 901, 903, 205, 203.1, 279, 282;
D27/172, 186, 187, 189, 191; D6/336,
D6/705, 663, 671, 671.1; D9/414;
D19/72, 86, 92; D34/20
CPC B65D 11/1893; B65D 21/0213; A47B
87/0284; A47B 43/00
See application file for complete search history.

(56) **References Cited**

U.S. PATENT DOCUMENTS

D241,293 S * 9/1976 Introini D6/671.1
5,718,491 A * 2/1998 Li A47B 67/04
312/107
D493,303 S * 7/2004 Perella D6/671.1
D518,708 S * 4/2006 Ohayon D3/298
D580,172 S * 11/2008 Perez D3/297
D675,908 S * 2/2013 Neuhaus D9/414

D708,875 S * 7/2014 McNamara D6/705
D740,027 S * 10/2015 Yamamoto D3/297
D740,563 S * 10/2015 Yamamoto D3/297
D785,326 S * 5/2017 Yamamoto D3/297
D785,328 S * 5/2017 Yamamoto D3/297
D785,329 S * 5/2017 Yamamoto D3/297
2018/0194513 A1 * 7/2018 Yamamoto B65D 11/1893

OTHER PUBLICATIONS

Shinwa and Japan Import drawer storage box plastic storage box wardrobe drawer cabinet clothes finishing Box, posted at yoycart.com, no posting date available, online, URL: <https://www.yoycart.com/Product/38988603184/> (Year: 2018).*

* cited by examiner

Primary Examiner — Anhdao Doan
Assistant Examiner — Mary Shannon Malley
(74) *Attorney, Agent, or Firm* — Prakash Nama; Global IP Services, PLLC

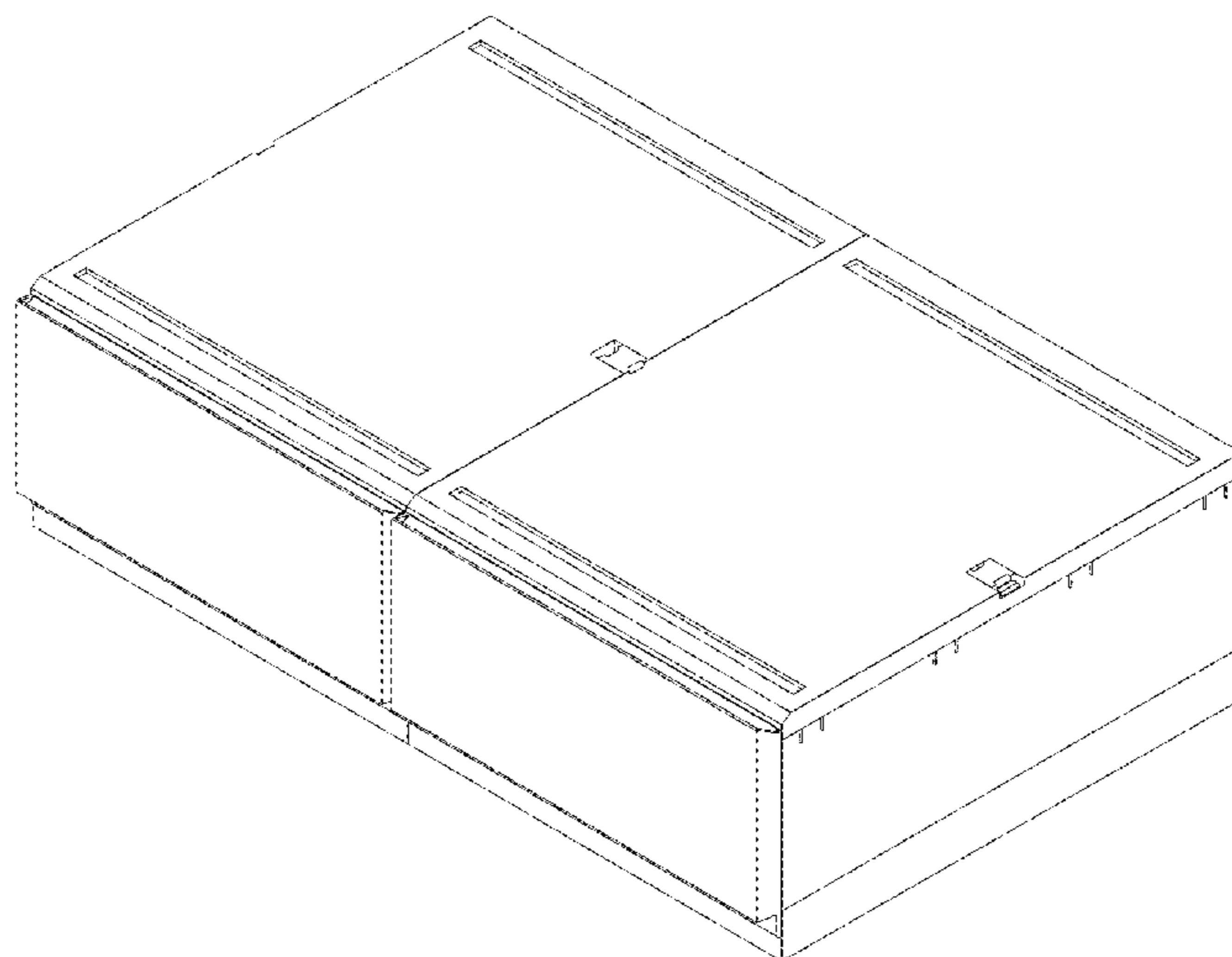
(57) **CLAIM**

The ornamental design for a storage case, as shown and described.

DESCRIPTION

FIG. 1 is a front elevational view of a storage case showing my new design;
FIG. 2 is a rear elevational view thereof;
FIG. 3 is a left side view thereof;
FIG. 4 is a right side view thereof;
FIG. 5 is a top plan view thereof;
FIG. 6 is a bottom plan view thereof; and,
FIG. 7 is a perspective view thereof.
The broken lines shown illustrate portions of the storage case that form no part of the claimed design.

1 Claim, 7 Drawing Sheets



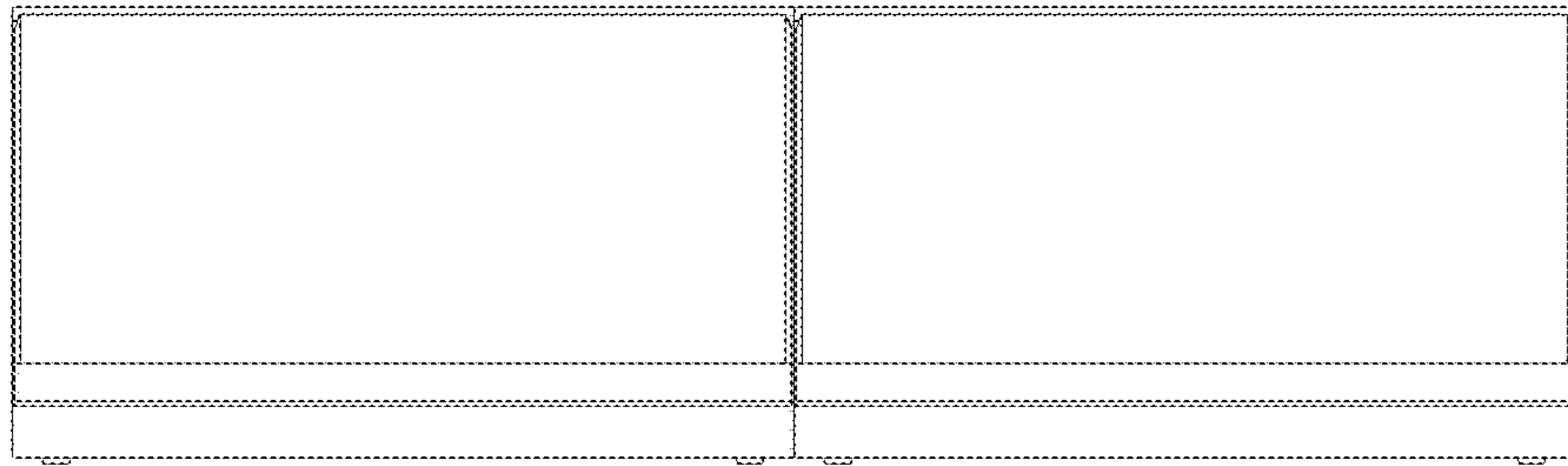


Fig.1

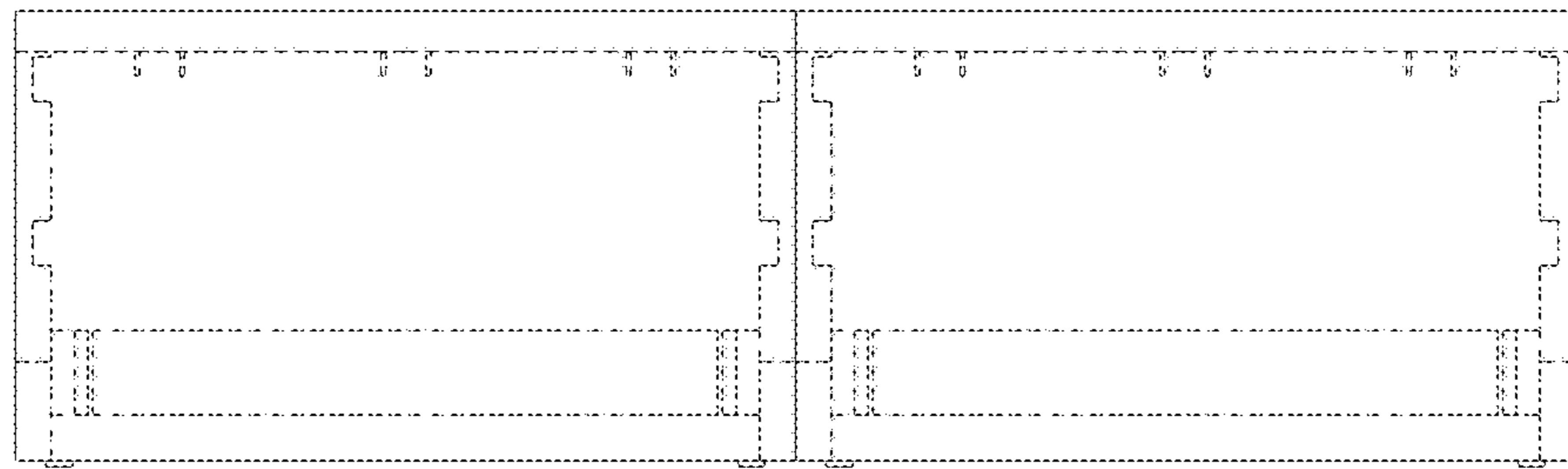


Fig.2

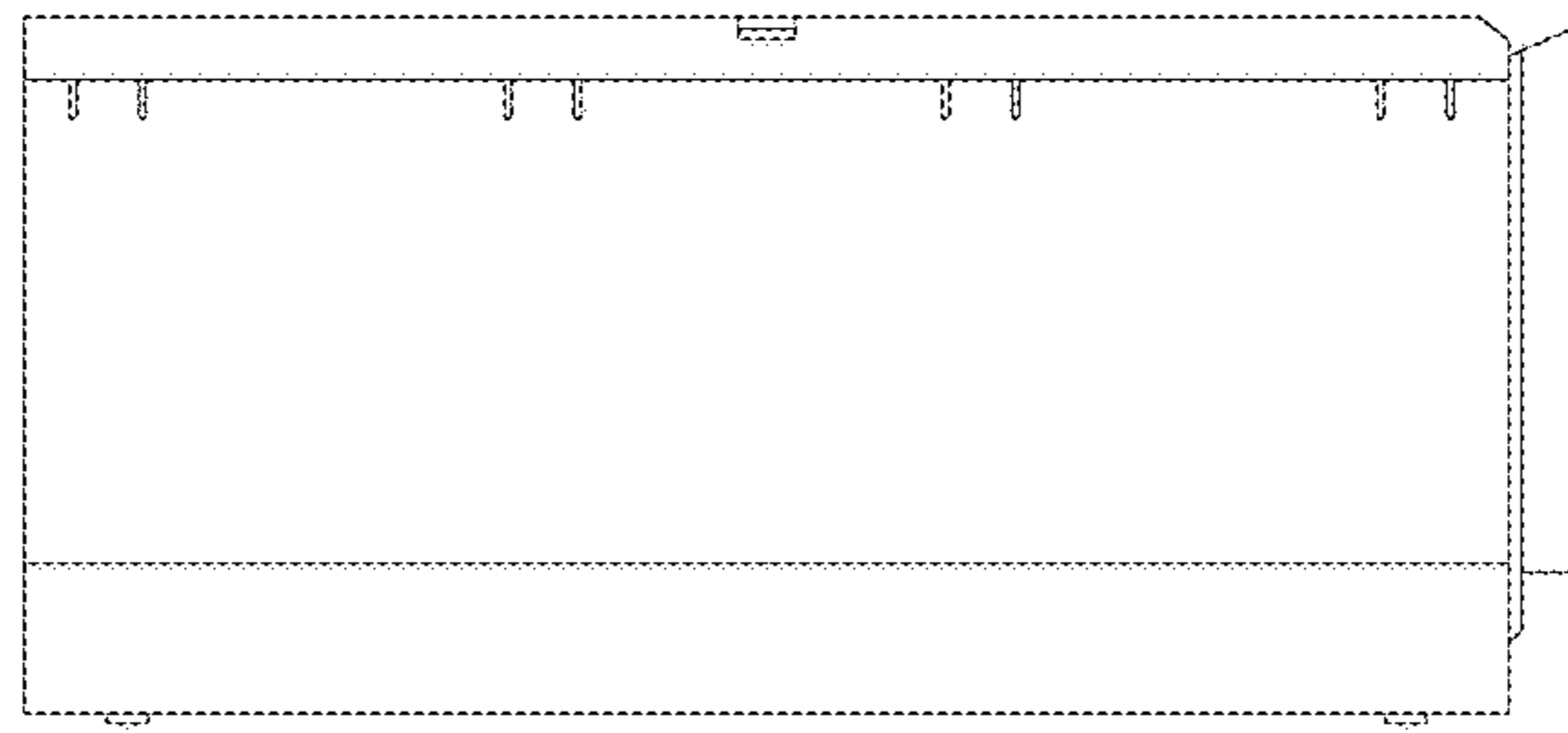


Fig.3

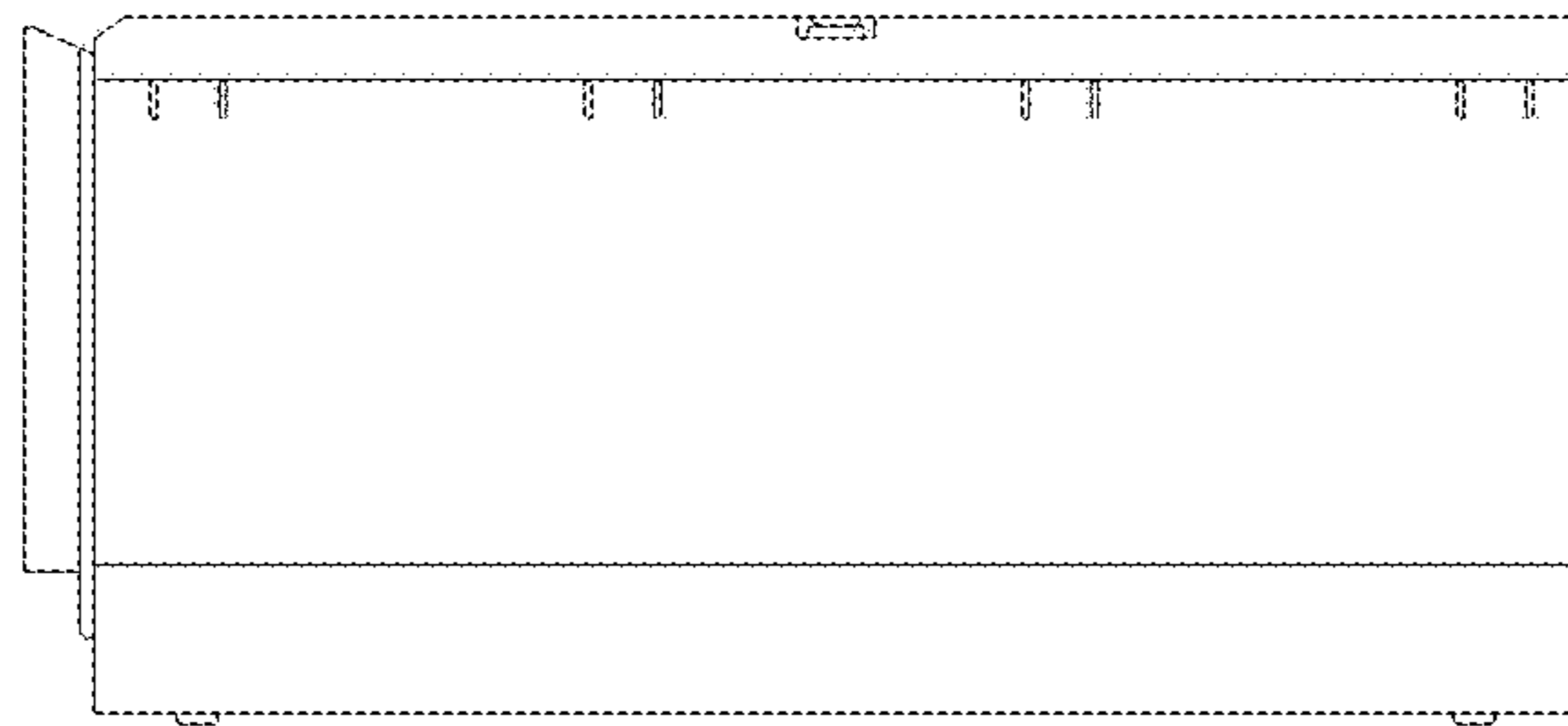


Fig.4

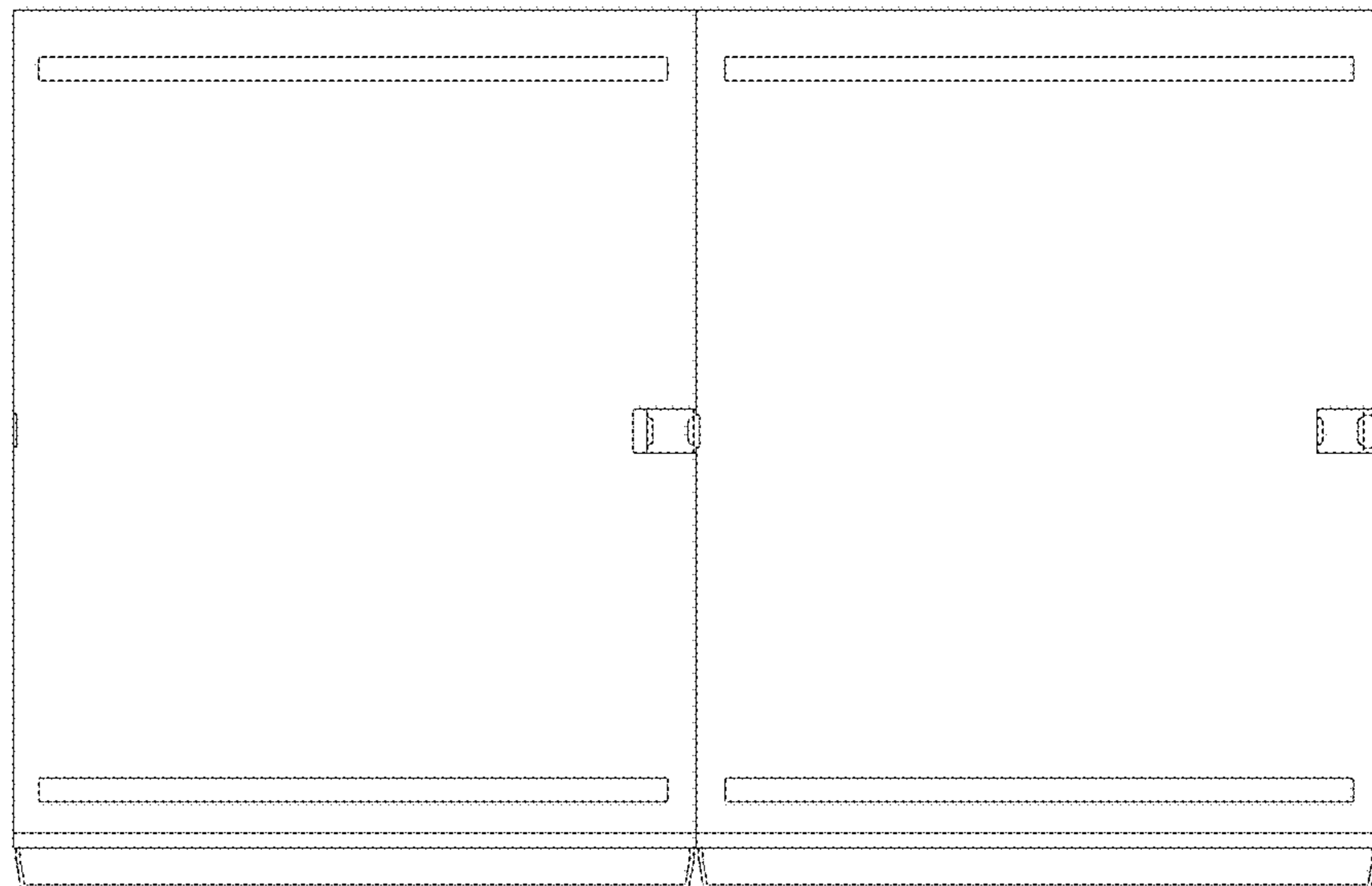


Fig.5

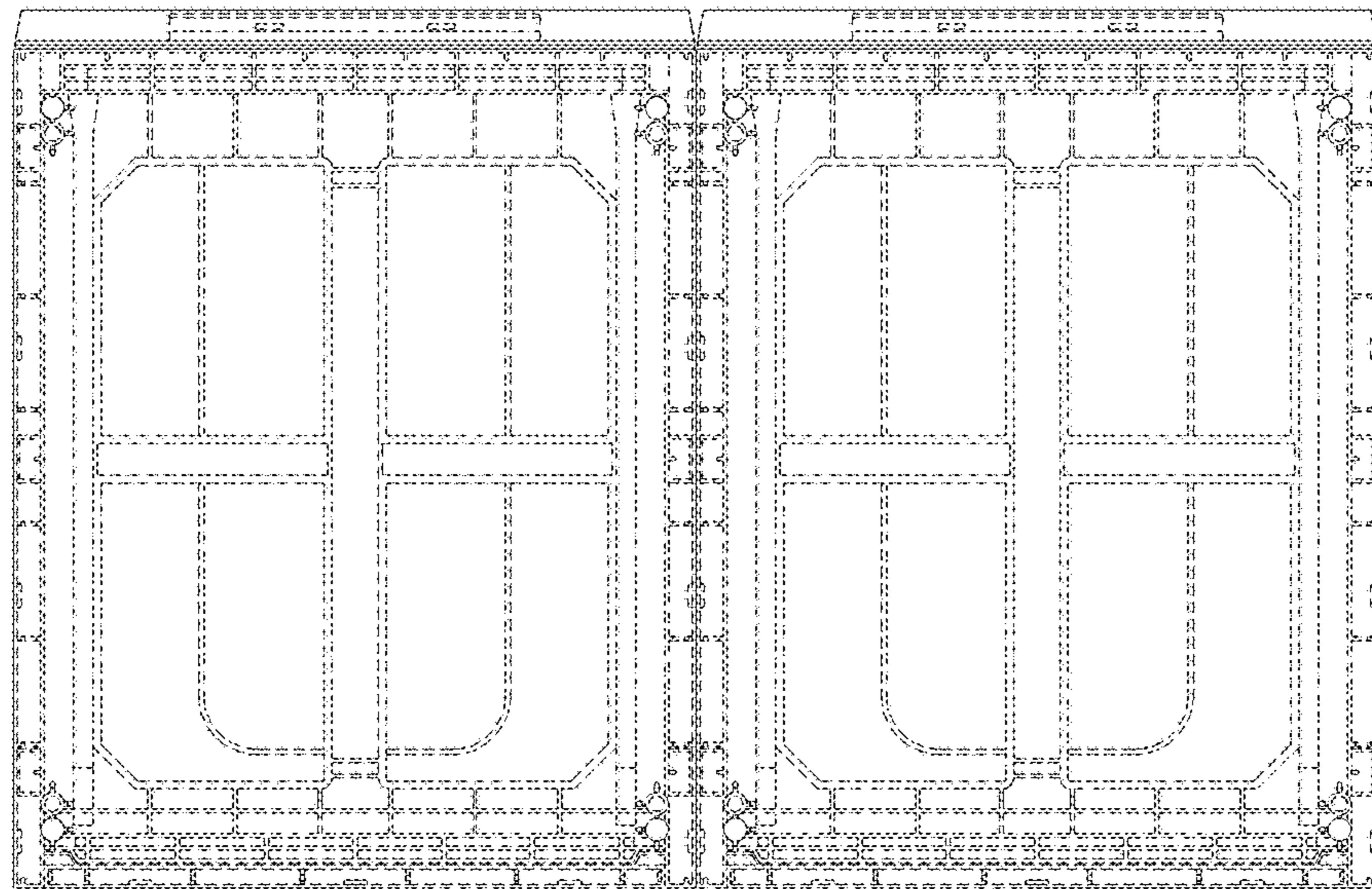


Fig.6

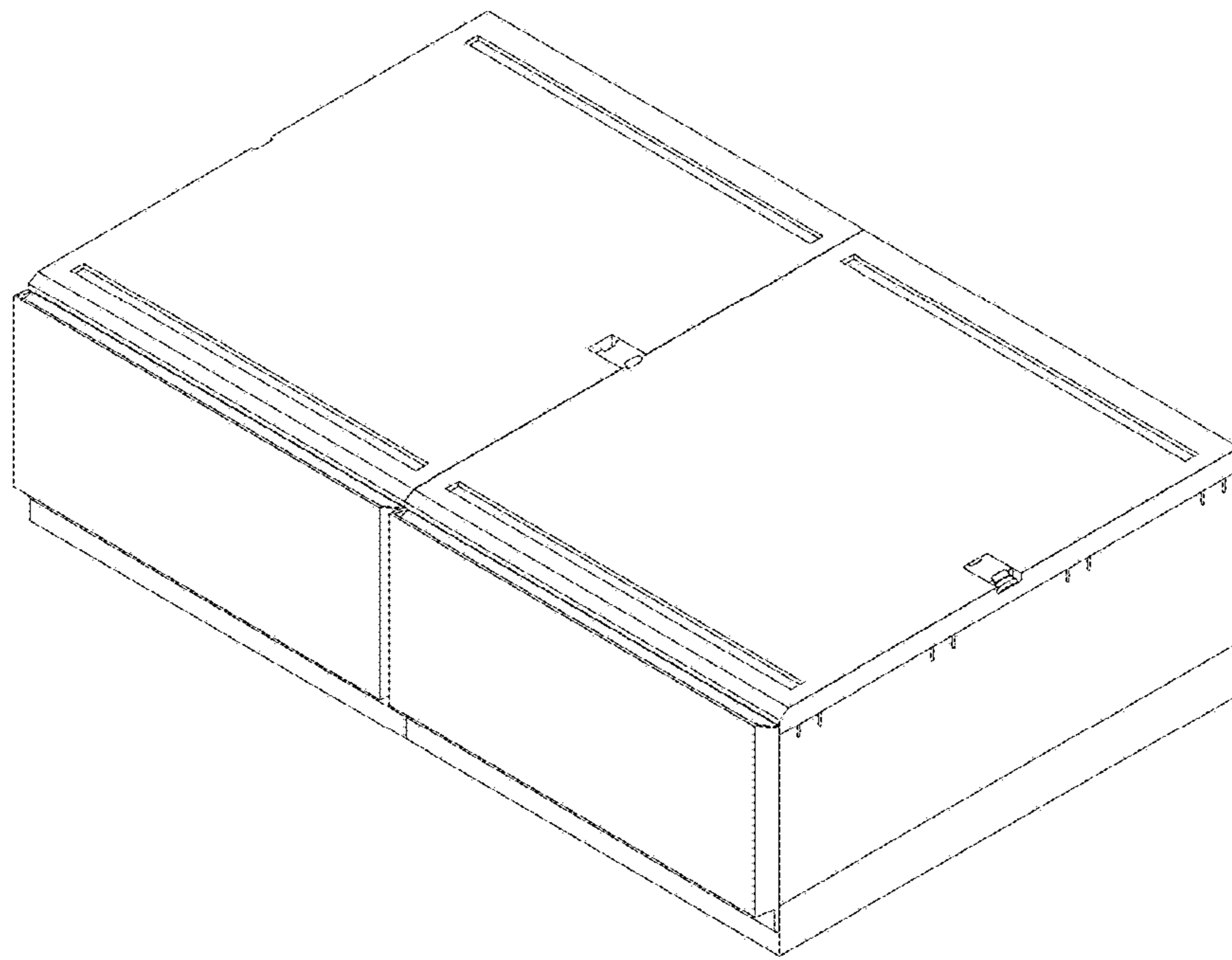


Fig.7