



US00D850105S

(12) **United States Design Patent**
Case et al.

(10) **Patent No.: US D850,105 S**
(45) **Date of Patent: ** Jun. 4, 2019**

- (54) **WATERPROOF PACKING CUBE**
- (71) Applicant: **Nitz Ize, Inc.**, Boulder, CO (US)
- (72) Inventors: **Rick Case**, Boulder, CO (US); **Michael C. Boyd**, Boulder, CO (US); **Bowden Ormsbee**, Longmont, CO (US); **Dale Karacostas**, Boulder, CO (US); **Clint Todd**, Boulder, CO (US); **Carley Mulder**, Boulder, CO (US)
- (73) Assignee: **Nite Ize, Inc.**, Boulder, CO (US)
- (**) Term: **15 Years**
- (21) Appl. No.: **29/672,452**
- (22) Filed: **Dec. 5, 2018**
- (51) **LOC (11) Cl. 03-01**
- (52) **U.S. Cl.**
USPC **D3/289**
- (58) **Field of Classification Search**
USPC D3/205, 245, 273, 274, 285, 287, 291,
D3/294, 296, 901, 900, 903
CPC A45C 1/02; A45C 2003/008; A45C 3/02;
A45C 5/005; A45C 2011/007; A45C
13/008; A45D 29/20; A45D 33/008
See application file for complete search history.

(56) **References Cited**

U.S. PATENT DOCUMENTS

- D280,864 S * 10/1985 Allen D3/283
- D494,360 S * 8/2004 Ostermann D3/205
- D801,681 S * 11/2017 Smilovic D3/245
- D804,171 S * 12/2017 Judah D3/245
- D816,984 S * 5/2018 Jusic D3/205
- D819,956 S * 6/2018 Woodard D3/203.6
- D839,586 S * 2/2019 Li D3/205

- D839,587 S * 2/2019 Beilman D3/205
- D840,676 S * 2/2019 Woodard D3/203.6
- 2008/0040837 A1* 2/2008 King A41D 13/012
2/227

OTHER PUBLICATIONS

Rei, "Nite Ize RunOff Packing Cube—Medium", Accessed Feb. 28, 2019. (<https://www.rei.com/product/158951/nite-ize-runoff-packing-cube-medium>) (Year: 2019).*

* cited by examiner

Primary Examiner — Jennifer Rivard

Assistant Examiner — April Rivas

(74) *Attorney, Agent, or Firm* — Haynes and Boone, LLP

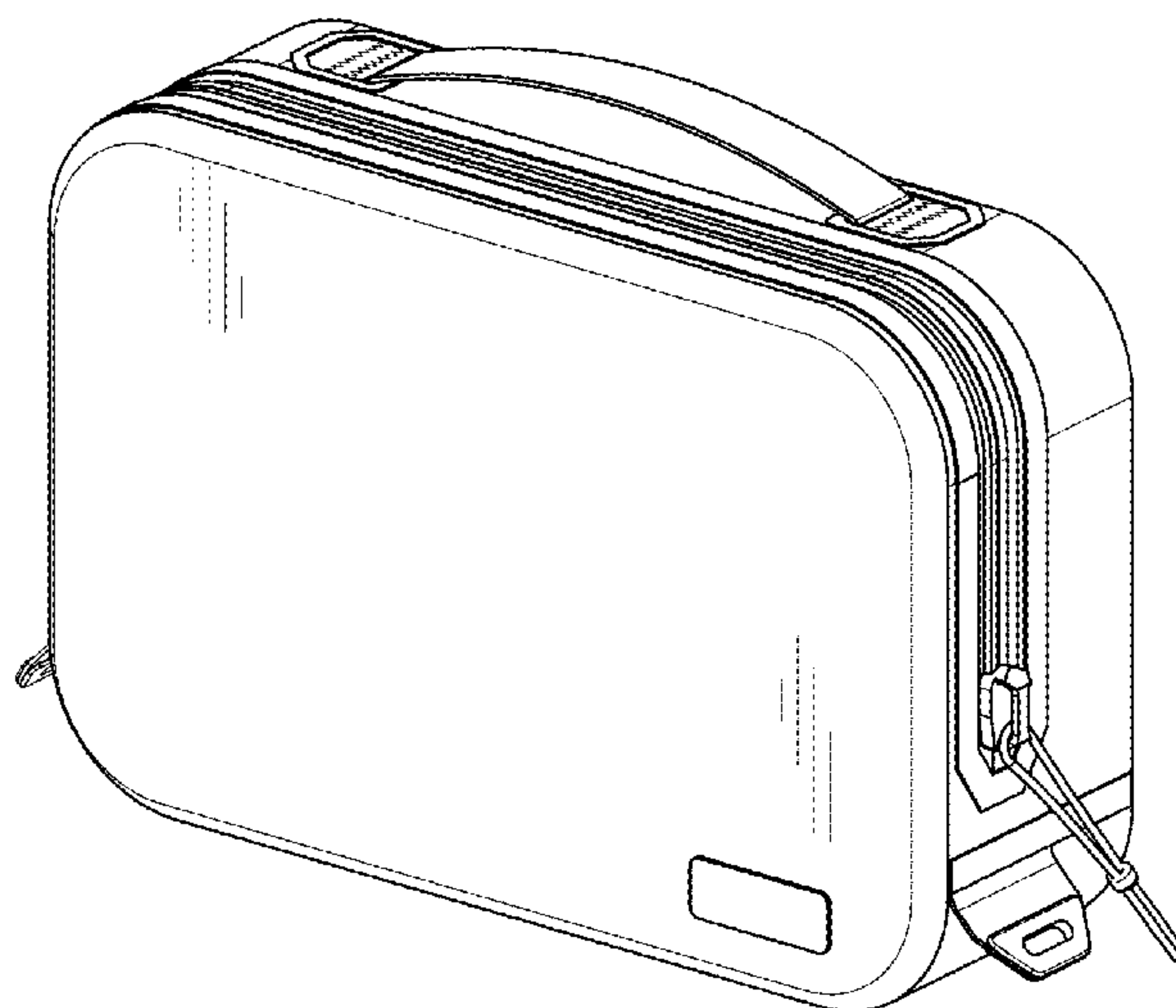
(57) **CLAIM**

The ornamental design for the waterproof packing cube, as shown and described.

DESCRIPTION

FIG. 1 shows a front perspective view of a waterproof packing cube;
 FIG. 2 shows a rear perspective view of the waterproof packing cube of FIG. 1;
 FIG. 3 shows a front view of the waterproof packing cube of FIG. 1; and
 FIG. 4 shows a rear view of the waterproof packing cube of FIG. 1;
 FIG. 5 shows a left-side view of the waterproof packing cube of FIG. 1;
 FIG. 6 shows a right-side view of the waterproof packing cube of FIG. 1;
 FIG. 7 shows a top view of the waterproof packing cube of FIG. 1; and,
 FIG. 8 shows a bottom view of the waterproof packing cube of FIG. 1.

1 Claim, 3 Drawing Sheets



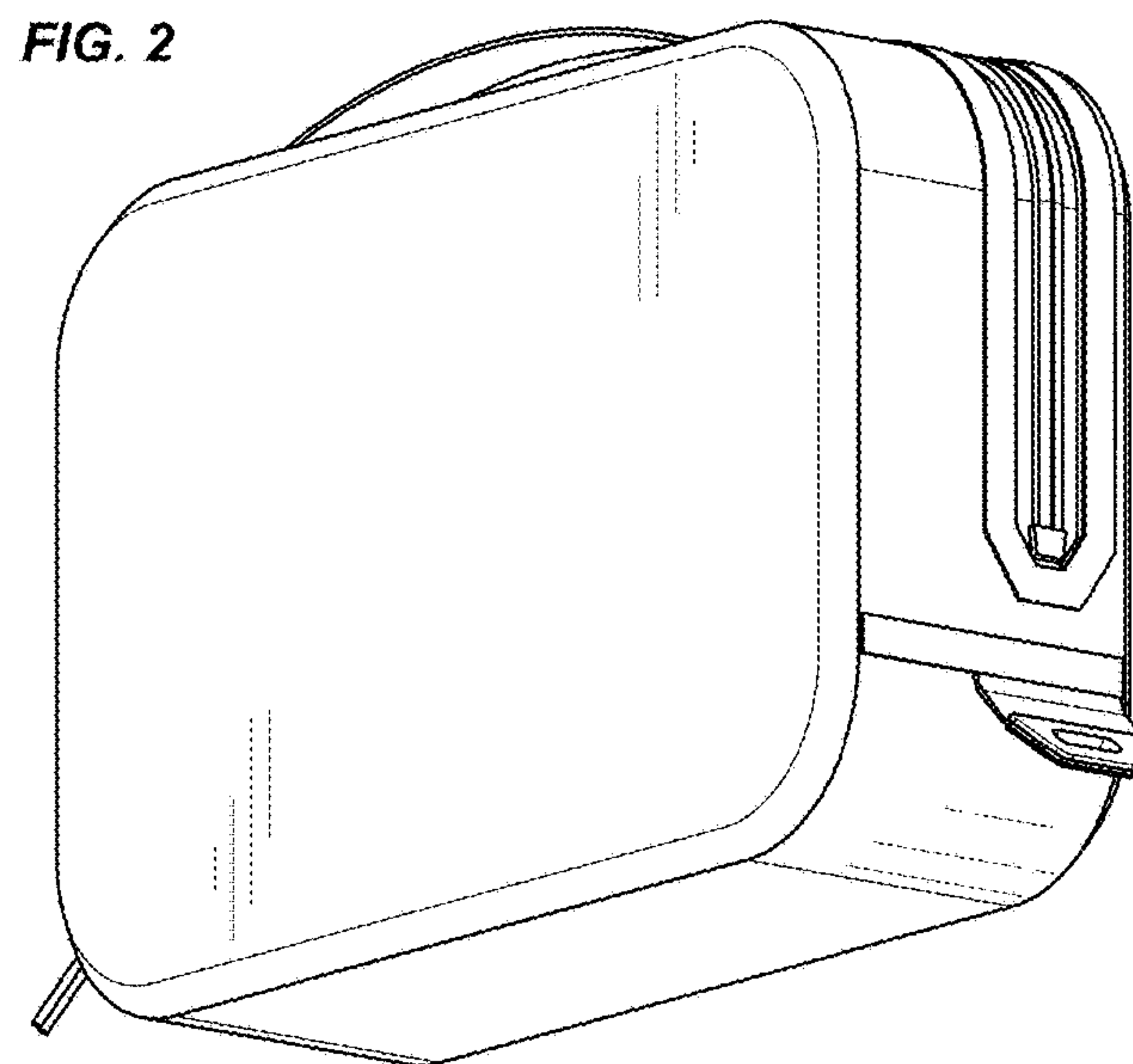
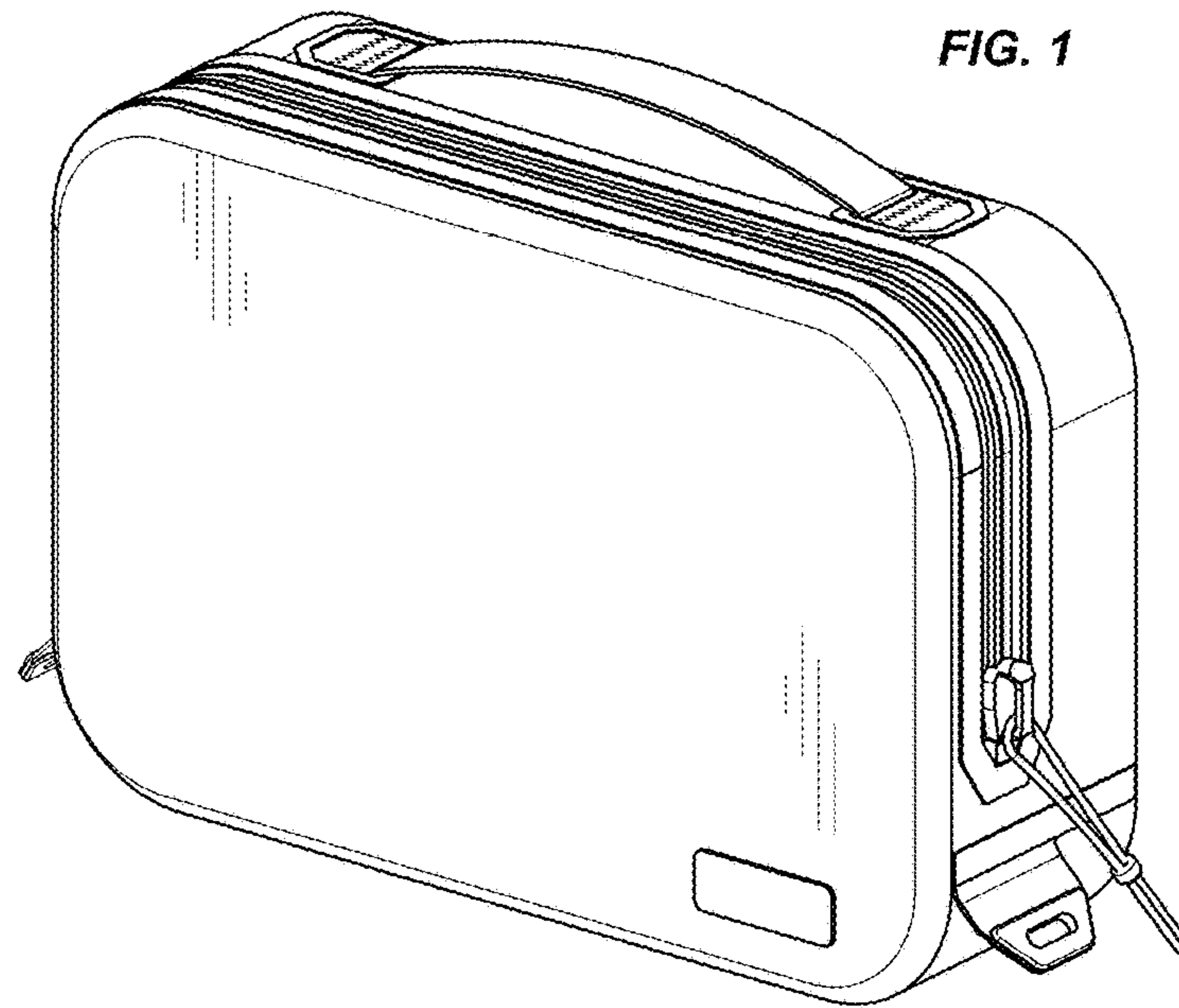


FIG. 3

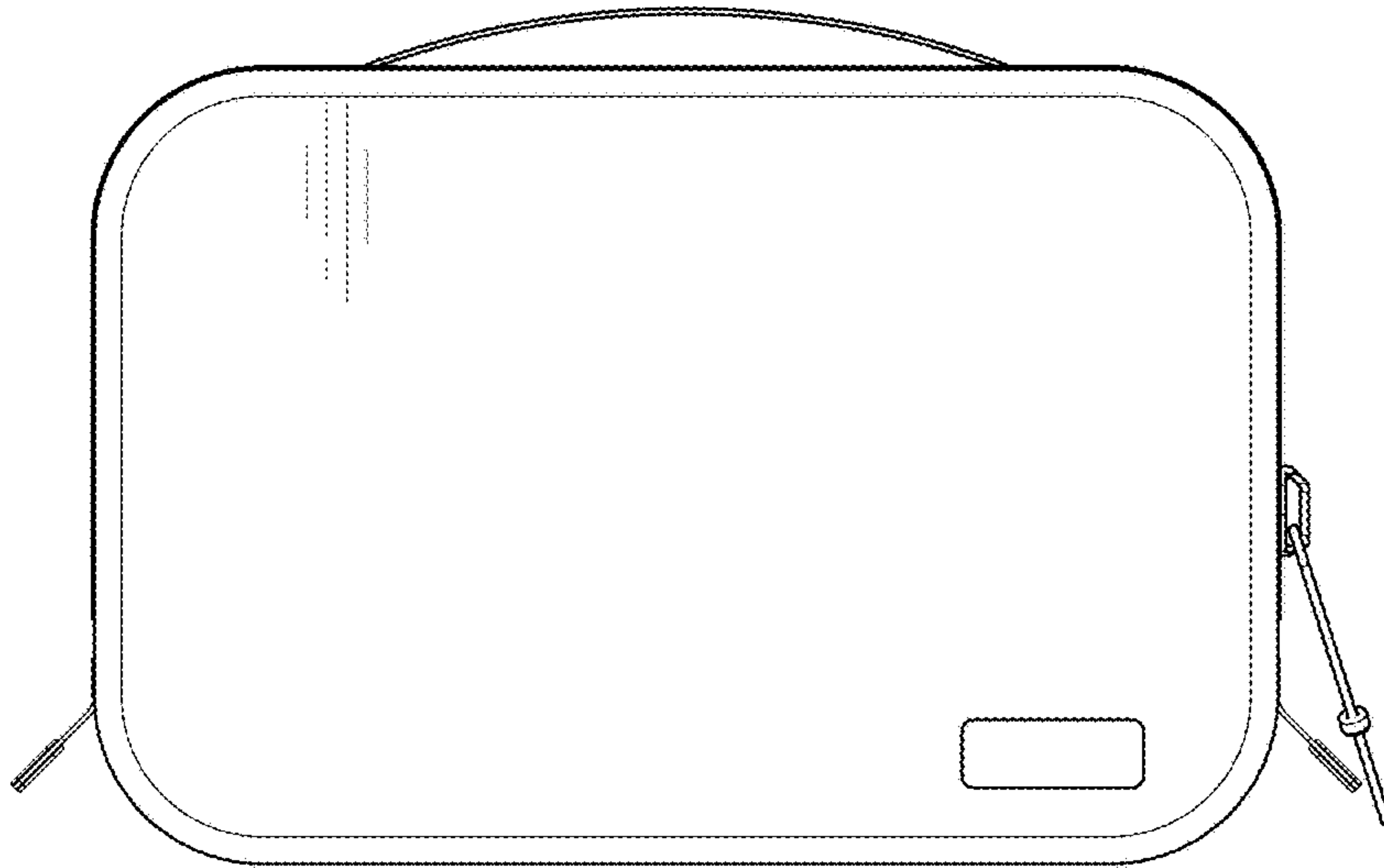


FIG. 4

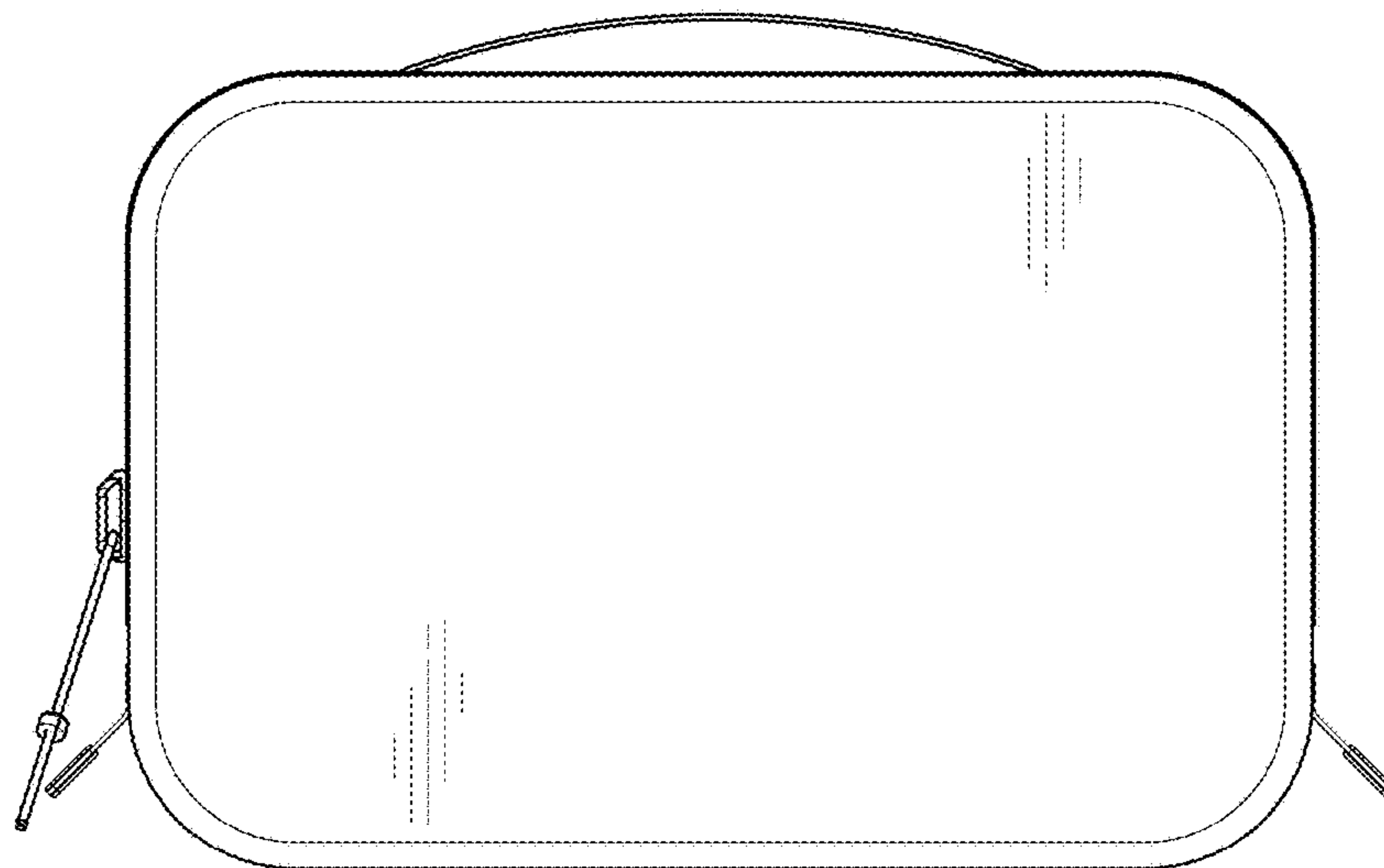


FIG. 5

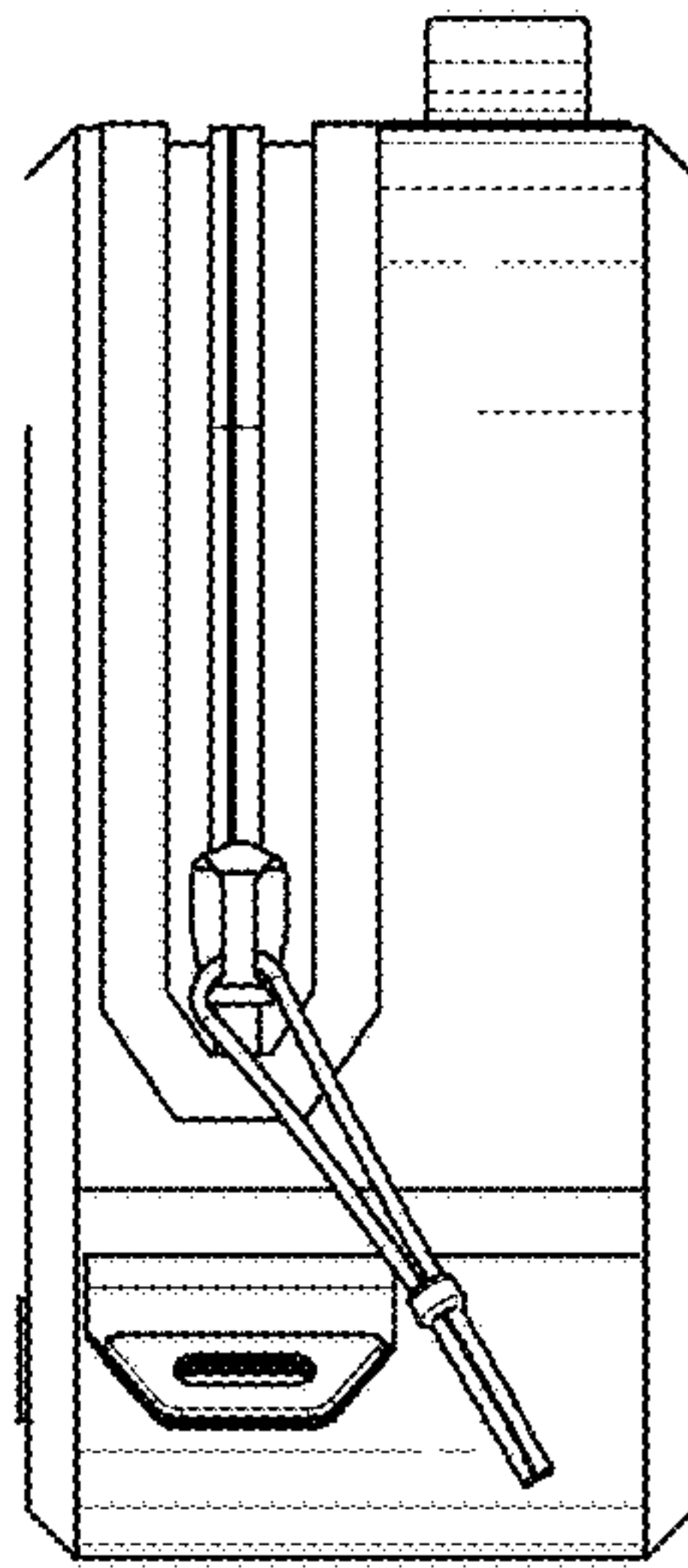


FIG. 6

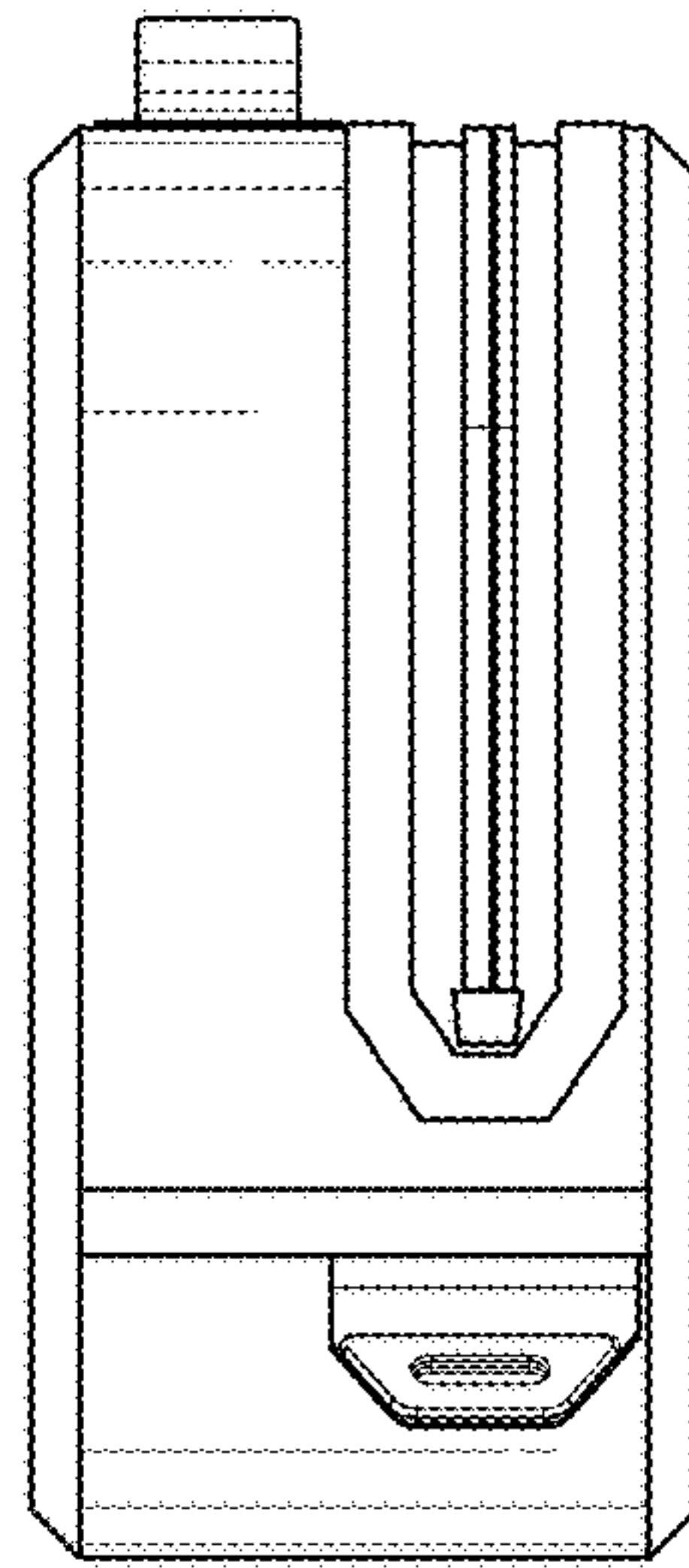


FIG. 7

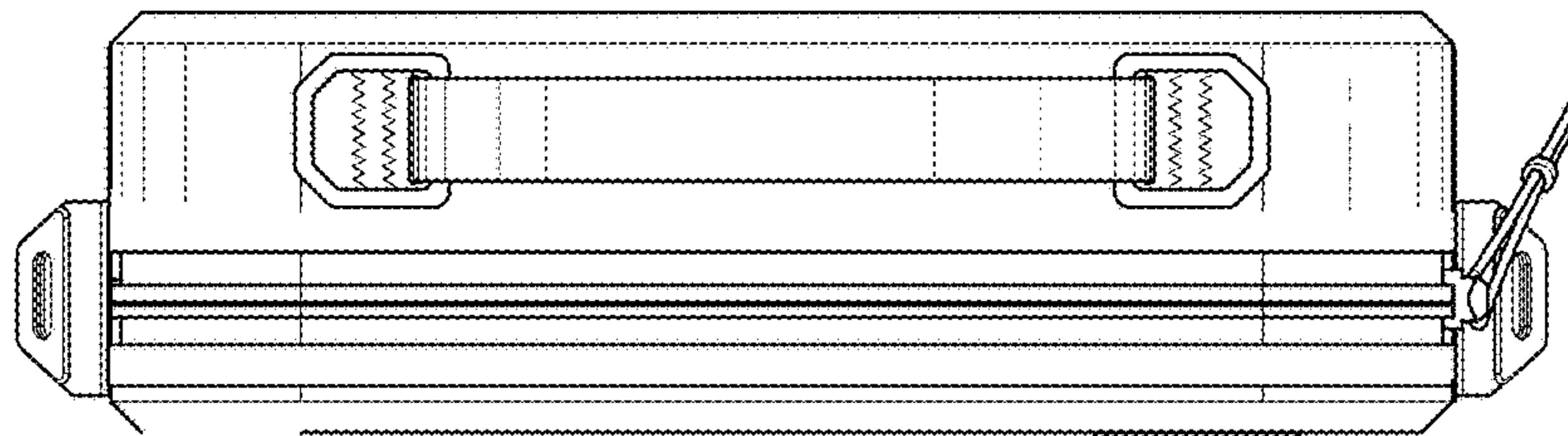


FIG. 8

