



US00D850102S

(12) **United States Design Patent** (10) **Patent No.:** **US D850,102 S**
Denny et al. (45) **Date of Patent:** **** Jun. 4, 2019**

(54) **ACCESSORY POCKET**

(71) Applicants: **Zina Ann Denny**, Meridian, ID (US);
Jetta Leann Denny, Meridian, ID (US)

(72) Inventors: **Zina Ann Denny**, Meridian, ID (US);
Jetta Leann Denny, Meridian, ID (US)

(**) Term: **15 Years**

(21) Appl. No.: **29/638,266**

(22) Filed: **Feb. 26, 2018**

(51) **LOC (11) Cl.** **03-01**

(52) **U.S. Cl.**
USPC **D3/230**

(58) **Field of Classification Search**
USPC D3/201, 205, 226, 247, 250, 273, 274,
D3/276, 278, 283, 284, 285, 289, 290,
D3/299, 301, 905, 243
CPC A45C 3/00; A45C 3/004; A45C 2003/008;
A45C 5/06; A45C 3/04; A45C 13/00
See application file for complete search history.

(56) **References Cited**

U.S. PATENT DOCUMENTS

D273,535 S	*	4/1984	Weinreb	150/113
D287,428 S	*	12/1986	Knoepke	D3/299
D338,338 S	*	8/1993	Zaglin	D3/299
D351,062 S	*	10/1994	Shapland	D3/233
D396,554 S	*	8/1998	Roeder	D3/232
D411,352 S	*	6/1999	Golenz	D3/283

(Continued)

OTHER PUBLICATIONS

Amazon, "Sugeryy Car Seat Back Rear Travel Storage Organizer Holder Interior Bag Hanger Pouch", First on sale Mar. 1, 2017. (<https://www.amazon.com/Sugeryy-Travel-Storage-Organizer-Interior/dp/B06XCK52GQ>) (Year: 2017).*

(Continued)

Primary Examiner — Jennifer Rivard

Assistant Examiner — April Rivas

(74) *Attorney, Agent, or Firm* — Your Intellectual Property Matters, LLC; Robert A. Frohwerk

(57) **CLAIM**

The ornamental design for an accessory pocket, as shown and described.

DESCRIPTION

FIG. 1 is an isometric view of the front of the accessory pocket in a closed condition;

FIG. 2 is an isometric view of the back of the accessory pocket in a closed condition;

FIG. 3 is a front elevation view of the accessory pocket in a closed condition;

FIG. 4 is a side view of the accessory pocket in a closed condition, the opposite side is not shown since it is a mirror image of this view;

FIG. 5 is a rear elevation view of the accessory pocket in a closed condition, showing the rear pocket and belt loop above it;

FIG. 6 is a top view of the accessory pocket;

FIG. 7 is a bottom view of the accessory pocket;

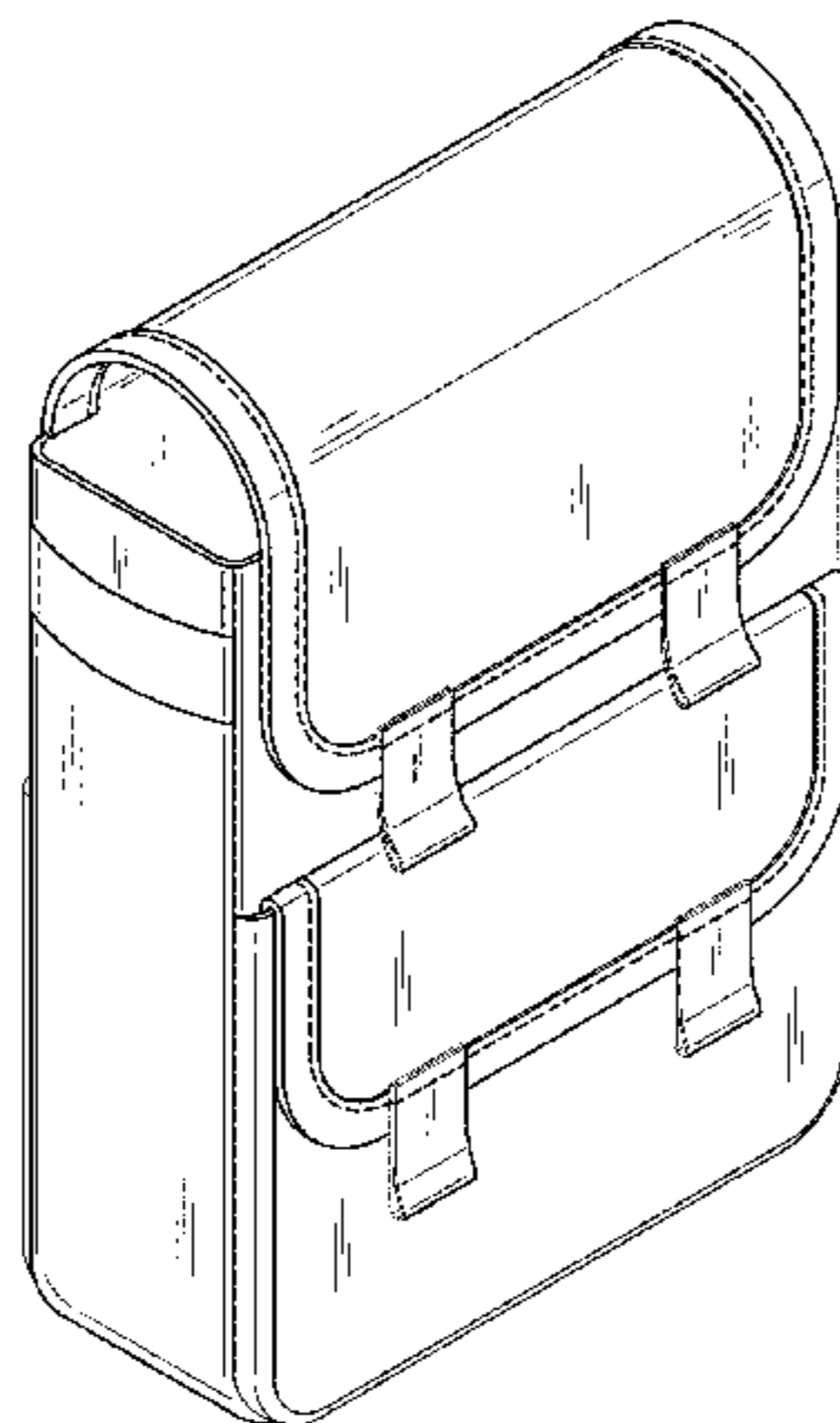
FIG. 8 is a front elevation view of the accessory pocket with both upper and front lower pocket flaps in an open condition; FIG. 9 is a side view of the accessory pocket with both upper and front lower pocket flaps in an open condition, the opposite side view is not shown as it is a mirror image of this view; and,

FIG. 10 is a rear elevation view of the accessory pocket with the upper pocket flap in an open condition, showing the rear pocket and belt loop above it.

Dashed lines appearing in any of FIGS. 1-10 illustrate stitching as part of the claimed ornamental design, especially in FIGS. 1-3, 5-6, 8 and 10.

Broken lines of the form dash-dot in FIG. 6 indicate portions of the accessory pocket which form no part of the claimed design.

1 Claim, 6 Drawing Sheets



(56)

References Cited

U.S. PATENT DOCUMENTS

D429,883	S	*	8/2000	Roonan	D3/273
D458,024	S	*	6/2002	Tyler	D3/219
D483,563	S	*	12/2003	Dwight	D3/243
D494,757	S	*	8/2004	Hinds	D3/287
D548,967	S	*	8/2007	Bell	D3/287
D607,205	S	*	1/2010	Sabbah	D3/243
D677,891	S	*	3/2013	Janus	D3/289
D714,551	S	*	10/2014	Sanchez	D3/282
D716,717	S	*	11/2014	Swartzel	D12/416
D740,560	S	*	10/2015	Pupecki	D3/283
D750,891	S	*	3/2016	Lank	D3/290
D782,186	S	*	3/2017	Gellert	D3/226

OTHER PUBLICATIONS

Sandman, "Cell & Cordless Phone Pouches", Accessed Jan. 5, 2019.
(<http://www.sandman.com/pouches.html>) (Year: 2019).*

Amazon, "Pofomede Vertical Smartphone Belt Pouch Shoulder Strap . . .", First reviewed Sep. 17, 2018. (<https://www.amazon.com/Pofomede-Vertical-Smartphone-Shoulder-Compatible/dp/B07GW5FNZZ>) (Year: 2018).*

* cited by examiner

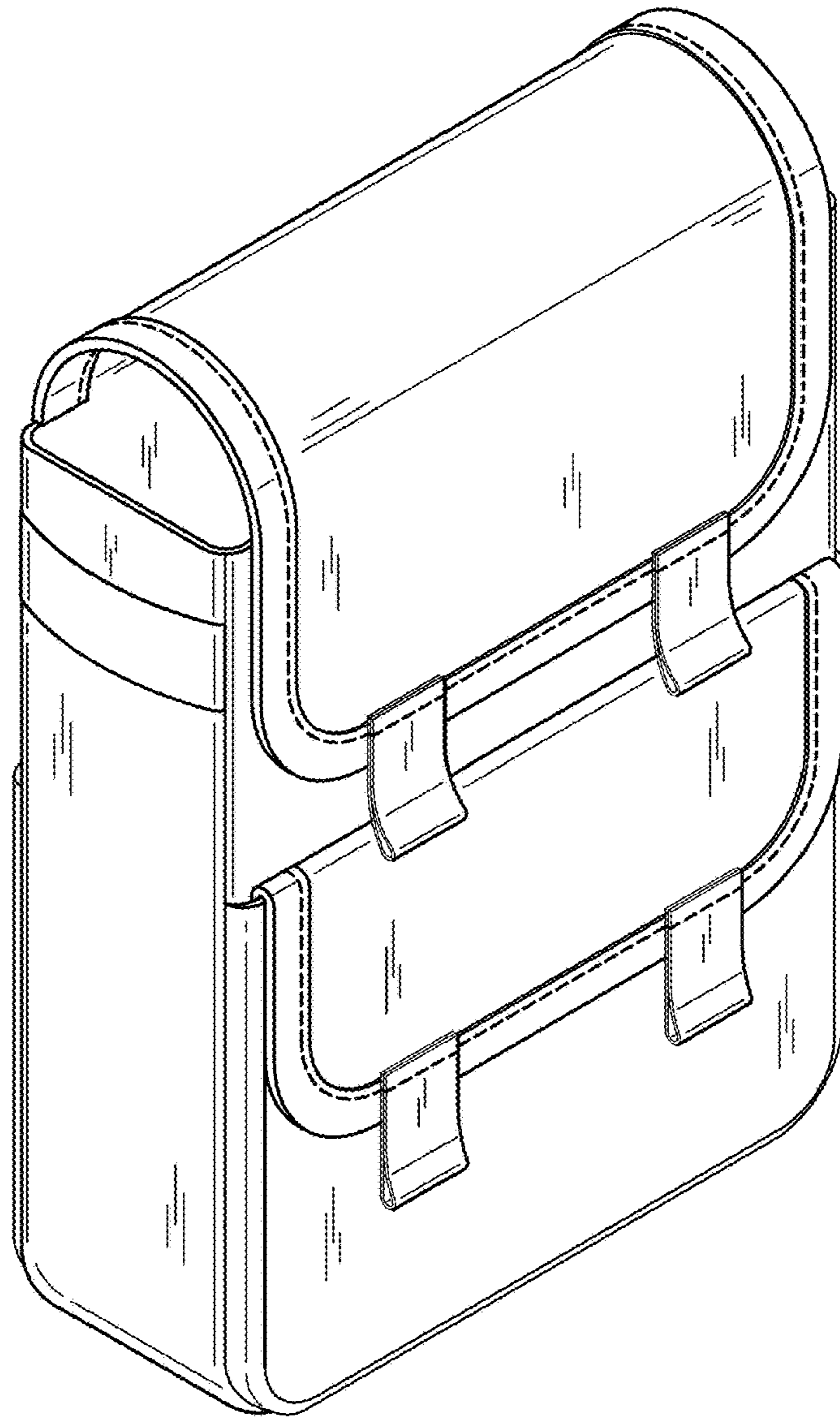


FIG. 1

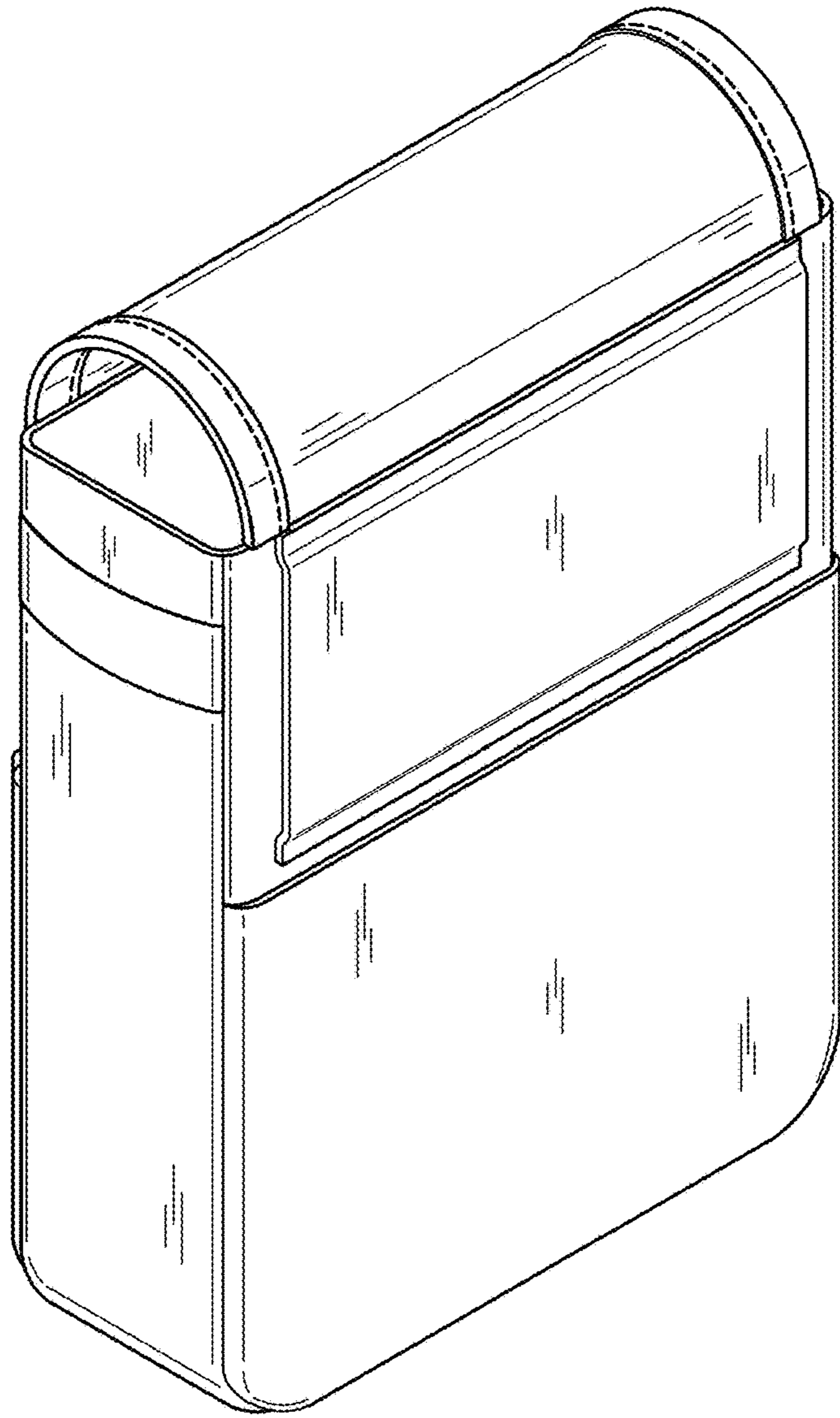


FIG. 2

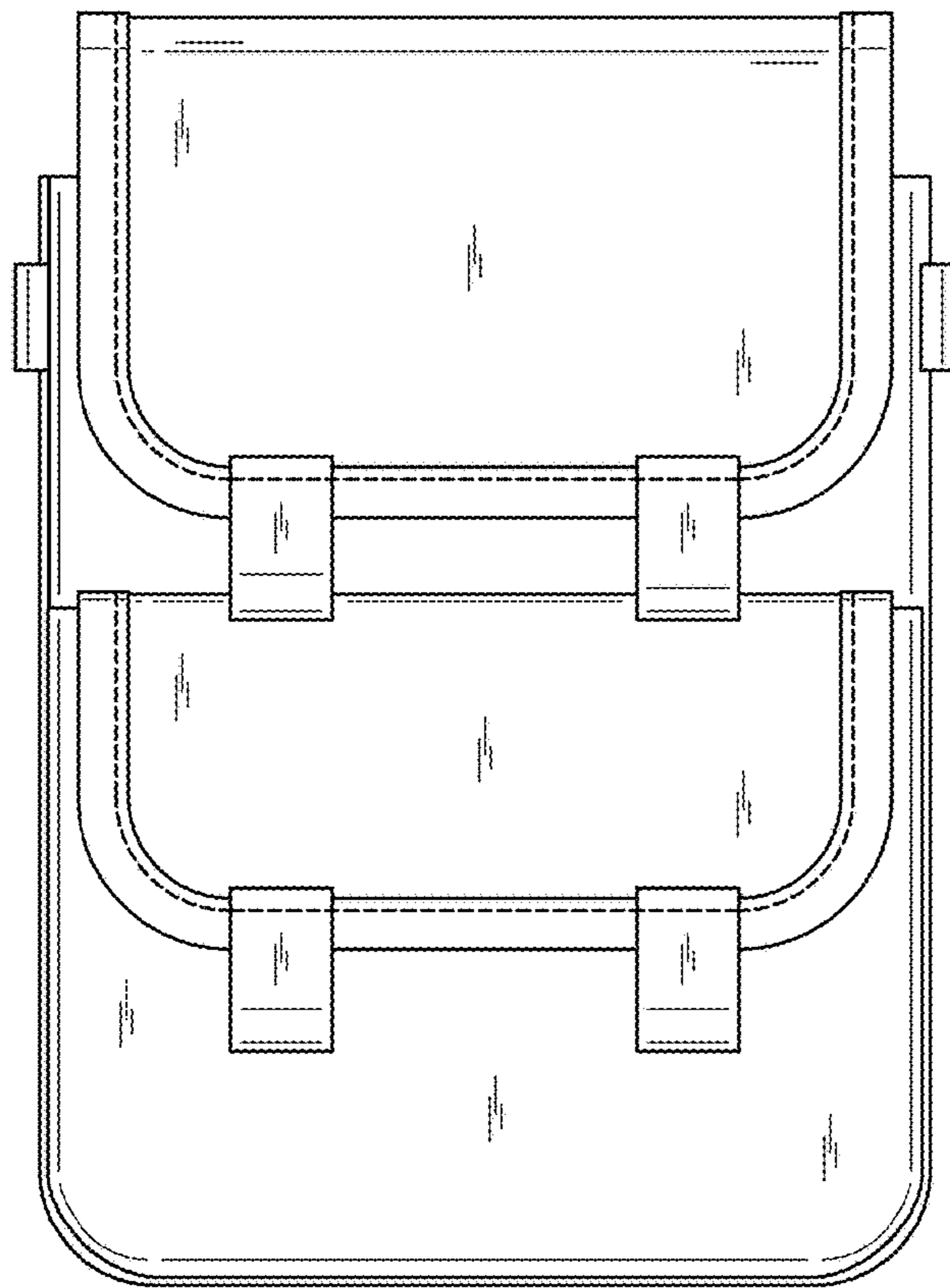


FIG. 3

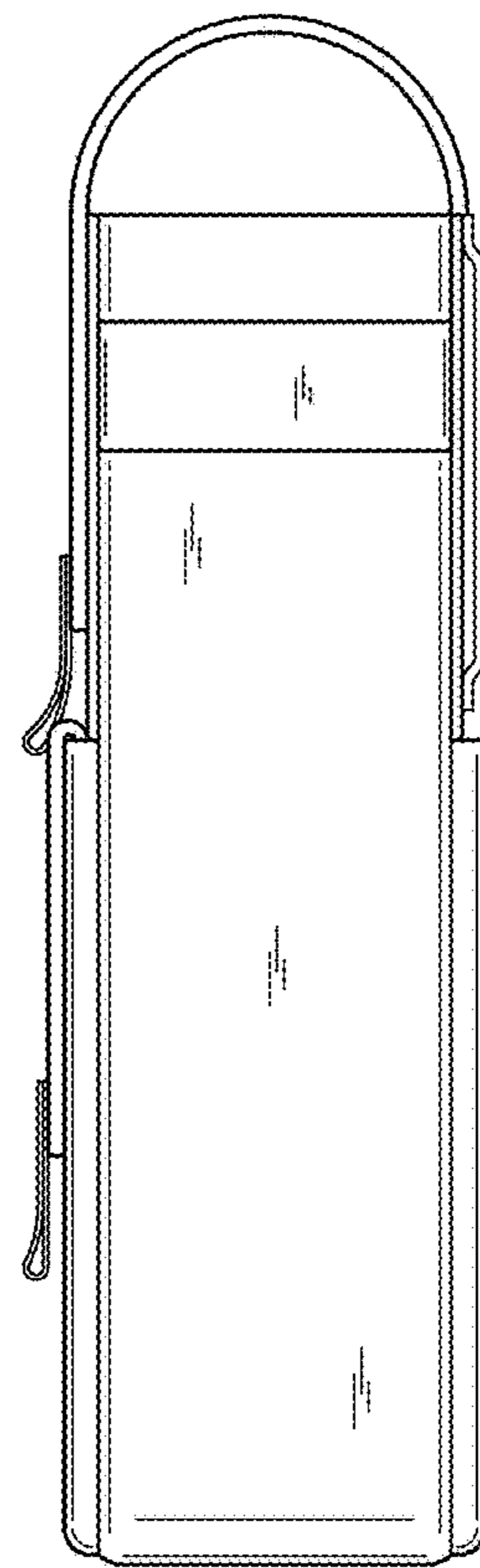


FIG. 4

FIG. 6

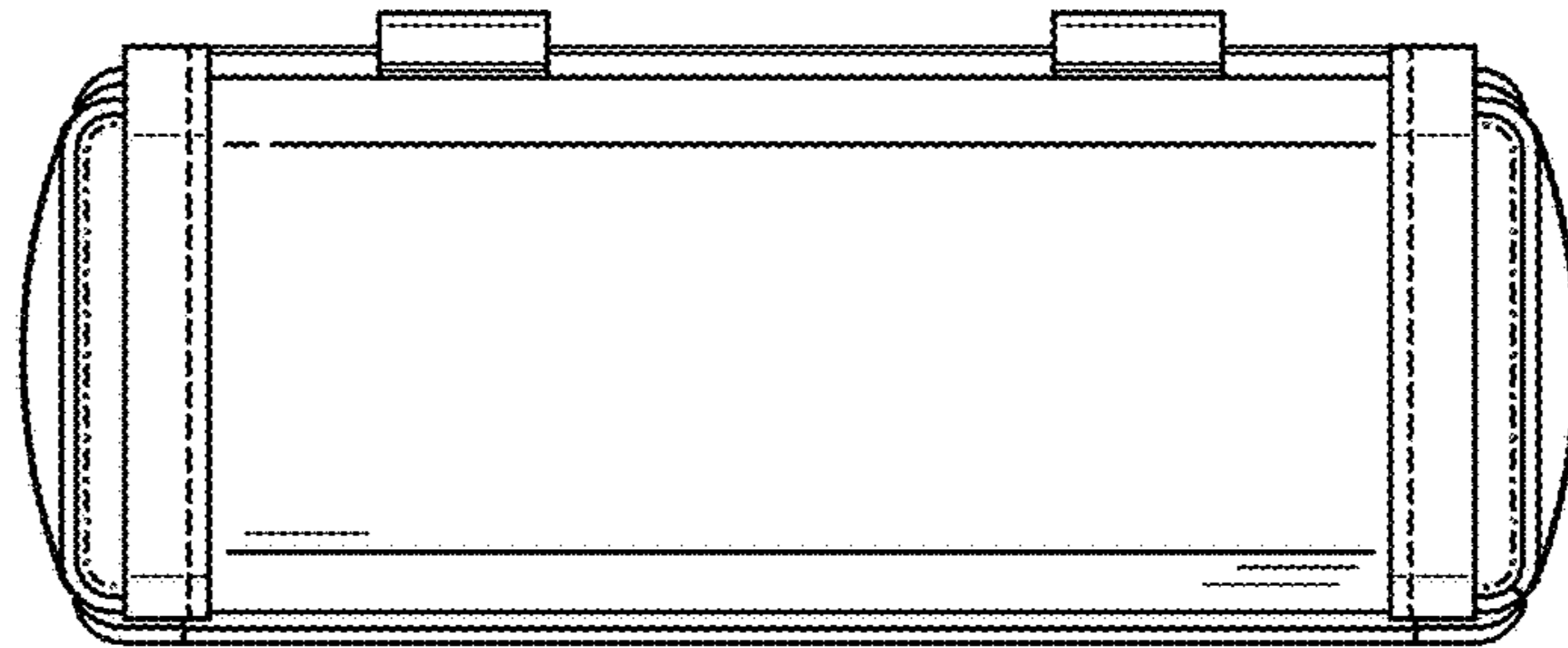


FIG. 5

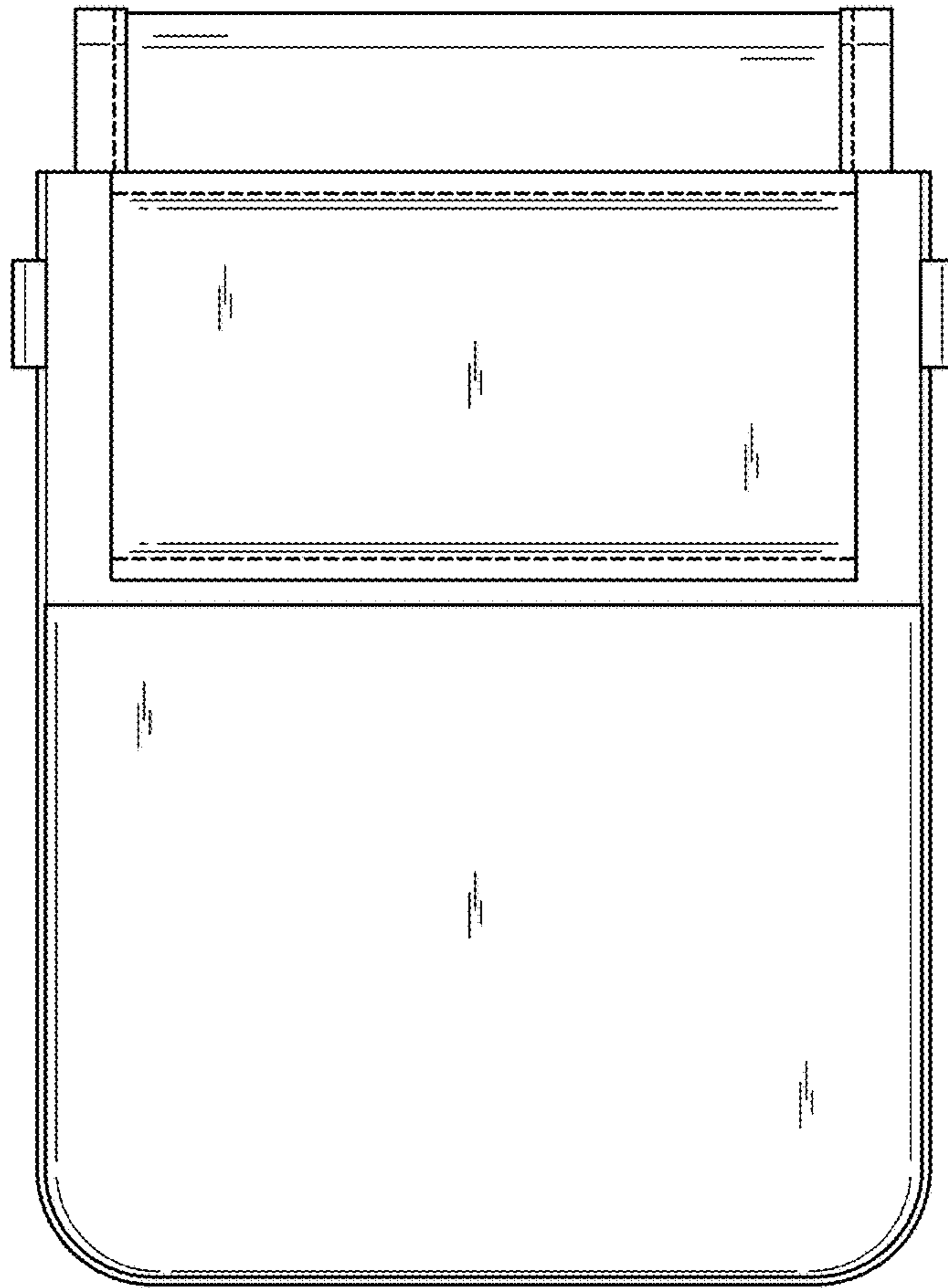
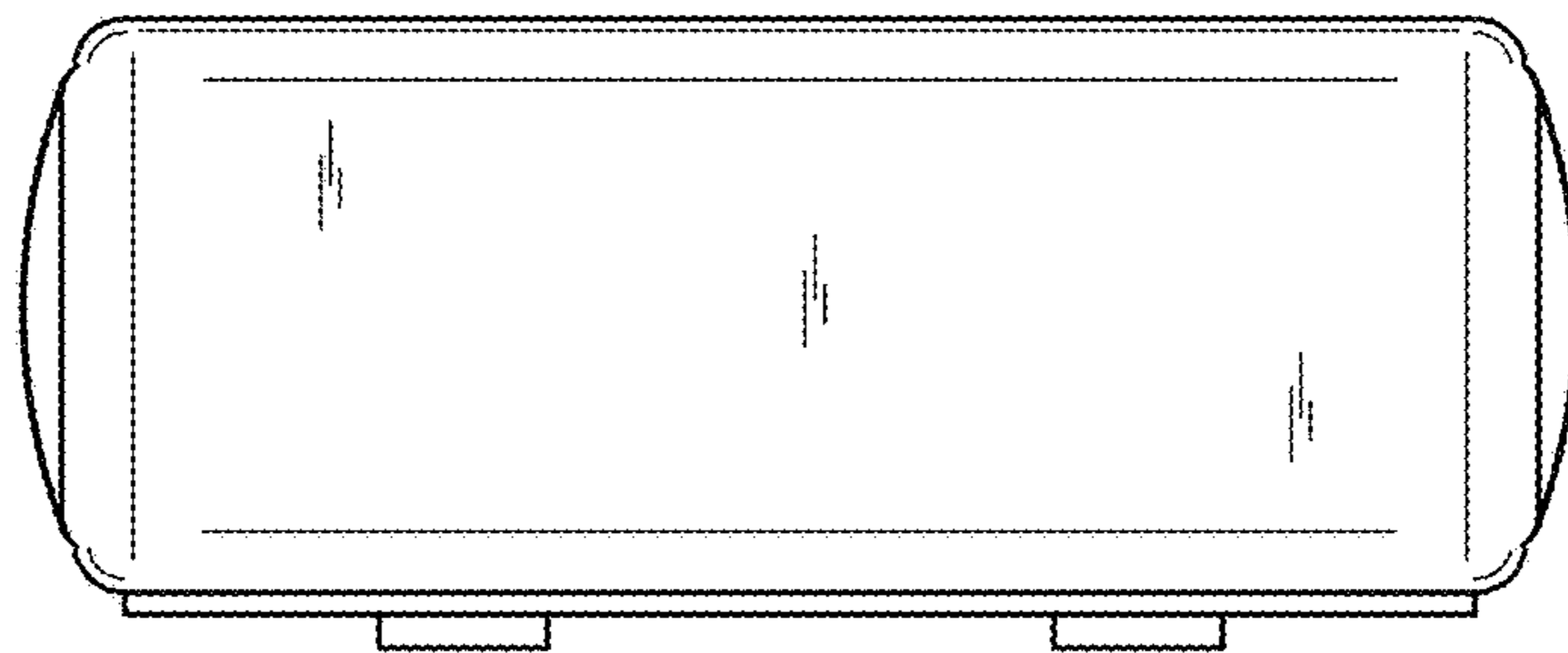


FIG. 7



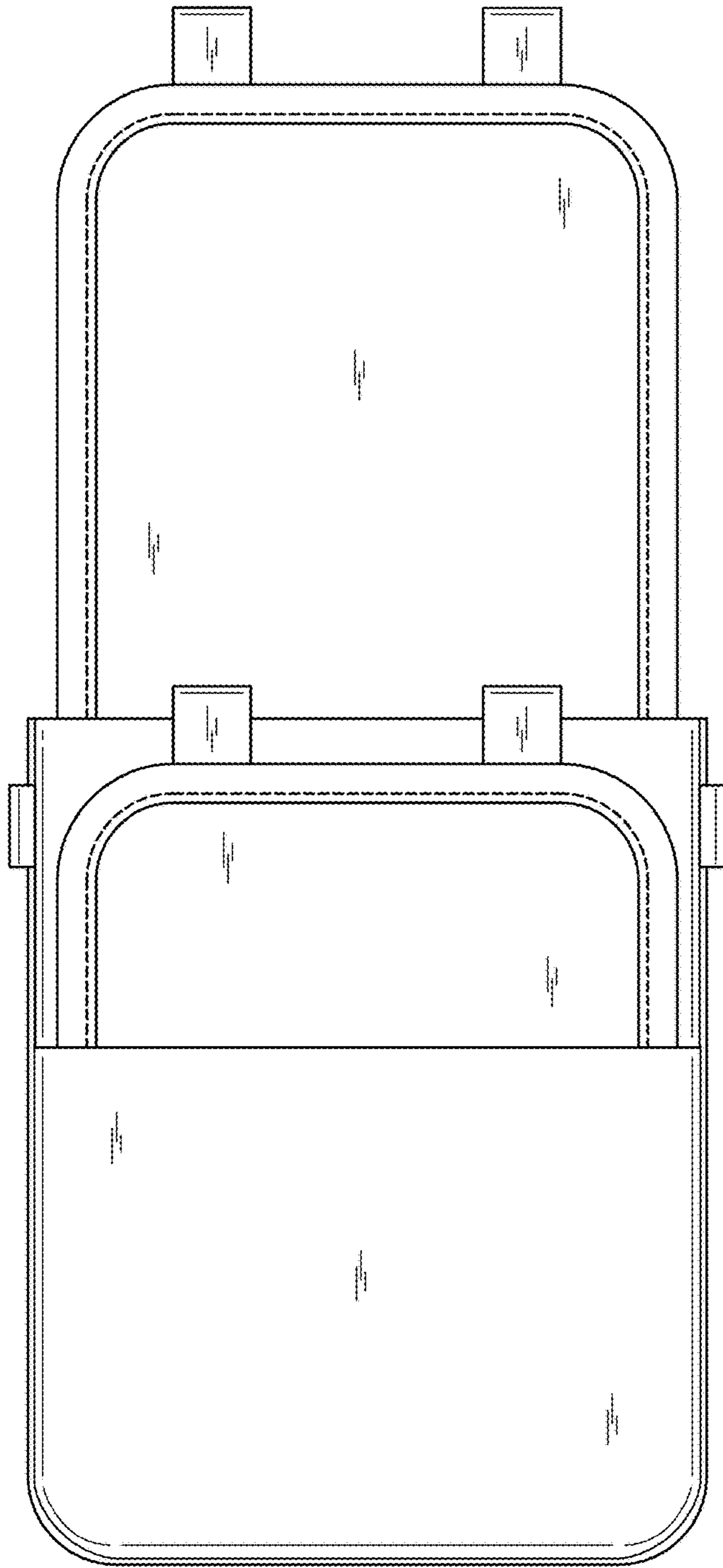


FIG. 8

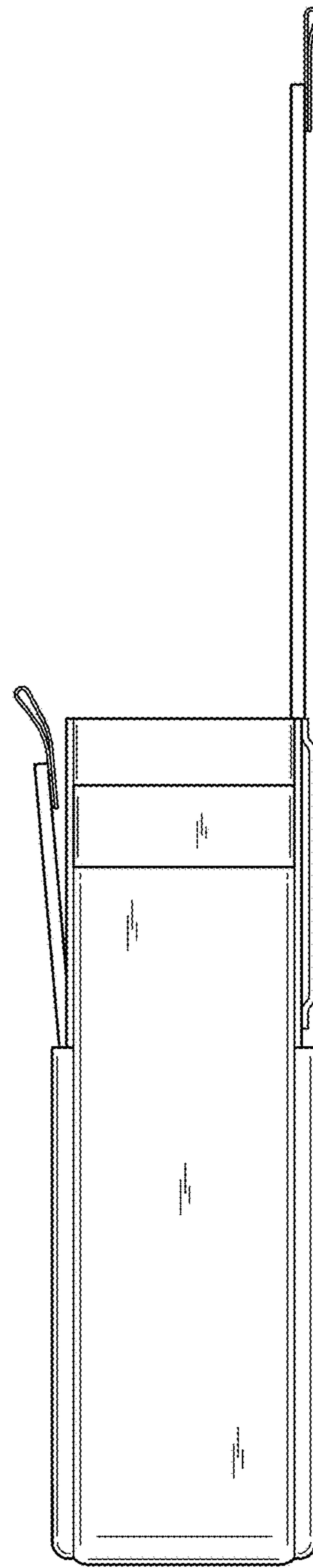


FIG. 9

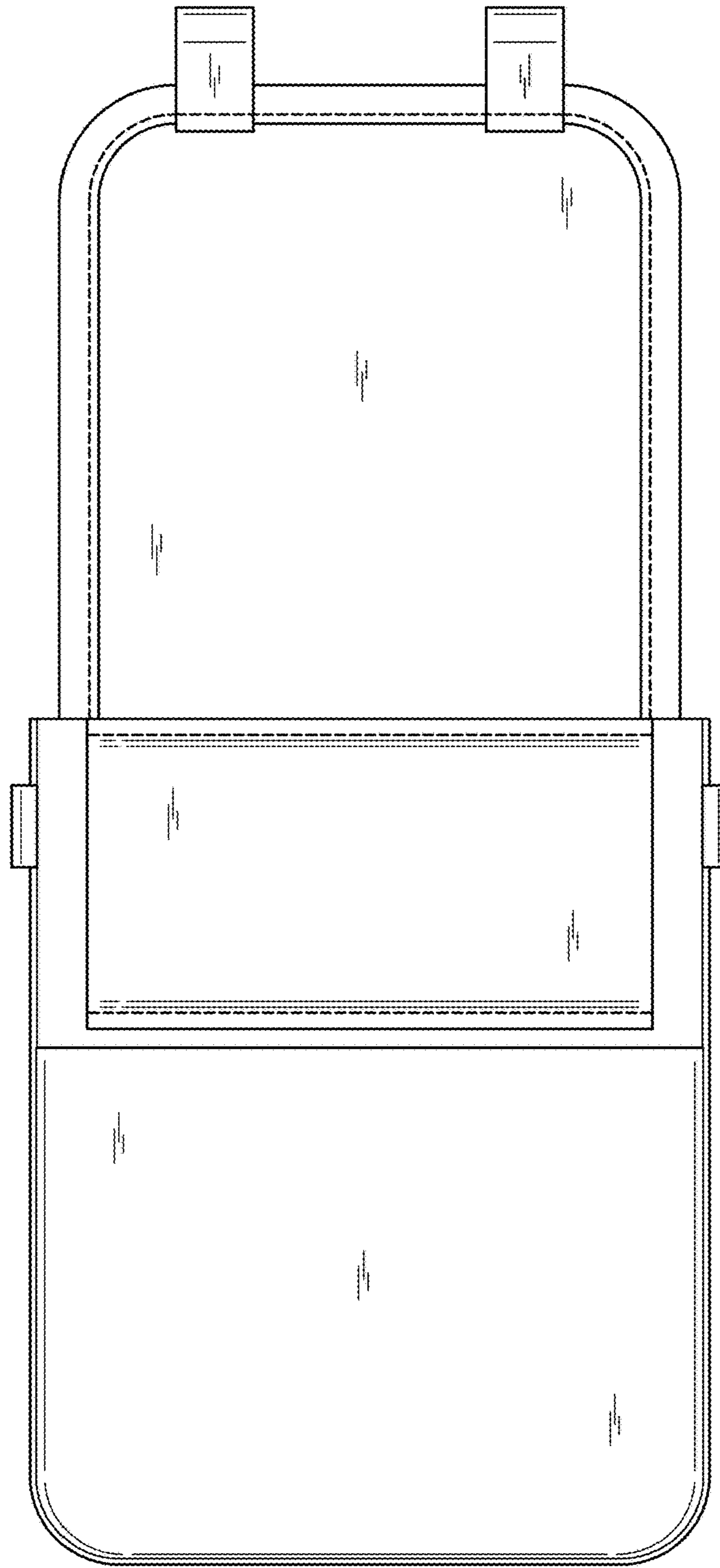


FIG. 10