



US00D850098S

(12) **United States Design Patent**  
**Haarburger**

(10) **Patent No.:** **US D850,098 S**

(45) **Date of Patent:** **\*\* Jun. 4, 2019**

(54) **KEY ORGANIZER**

(71) Applicant: **NITE IZE, INC.**, Boulder, CO (US)

(72) Inventor: **Daniel Haarburger**, Boulder, CO (US)

(73) Assignee: **Nite Ize, Inc.**, Boulder, CO (US)

(\*\*) Term: **15 Years**

(21) Appl. No.: **29/589,808**

(22) Filed: **Jan. 4, 2017**

(51) **LOC (11) Cl.** ..... **03-01**

(52) **U.S. Cl.**

USPC ..... **D3/207**

(58) **Field of Classification Search**

USPC ..... D3/207-212; D8/43, 99, 100, 105, 107;  
D11/1-2, 14, 26-29, 89-92, 44, 48, 81,  
D11/99; 63/26-28, 32; 70/456 B, 408,  
70/457, 458, 456 R; 206/37.1; D10/64,  
D10/104; D19/121, 135, 157, 81, 83, 84,  
D19/98, 123; 24/3.6; D14/496

CPC .... B26B 1/00; B26B 1/02; B26B 1/04; B26B  
1/08; B26B 11/00; B26B 11/001; B26B  
11/005; B26B 11/006; H04B 1/034; F04B  
15/00; A44B 15/00; A46B 5/02; G06F  
3/033; G06F 3/041; G08C 21/00

See application file for complete search history.

(56) **References Cited**

**U.S. PATENT DOCUMENTS**

- 1,412,602 A \* 4/1922 Berman ..... A45C 11/323  
206/37.6
- 1,553,445 A \* 9/1925 Holmes ..... A45C 11/323  
206/37.6
- 1,573,723 A \* 2/1926 Long ..... A45F 5/02  
211/85.9

- 1,740,048 A \* 12/1929 Thayer ..... A47G 29/10  
40/657
- 1,764,451 A \* 6/1930 Holmes ..... A45C 11/323  
206/37.5
- 1,849,080 A \* 3/1932 Embree ..... A45C 11/323  
206/37

(Continued)

**OTHER PUBLICATIONS**

Identikay Card Storage + ID System, NiteIze.com, [online], [site visited May 2, 2018]. <URL:https://www.niteize.com/product/Identikay-Card-Storage-ID.asp> (Year: 2018).\*

(Continued)

*Primary Examiner* — T Chase Nelson

*Assistant Examiner* — Jonathan J. Han

(74) *Attorney, Agent, or Firm* — Haynes and Boone, LLP

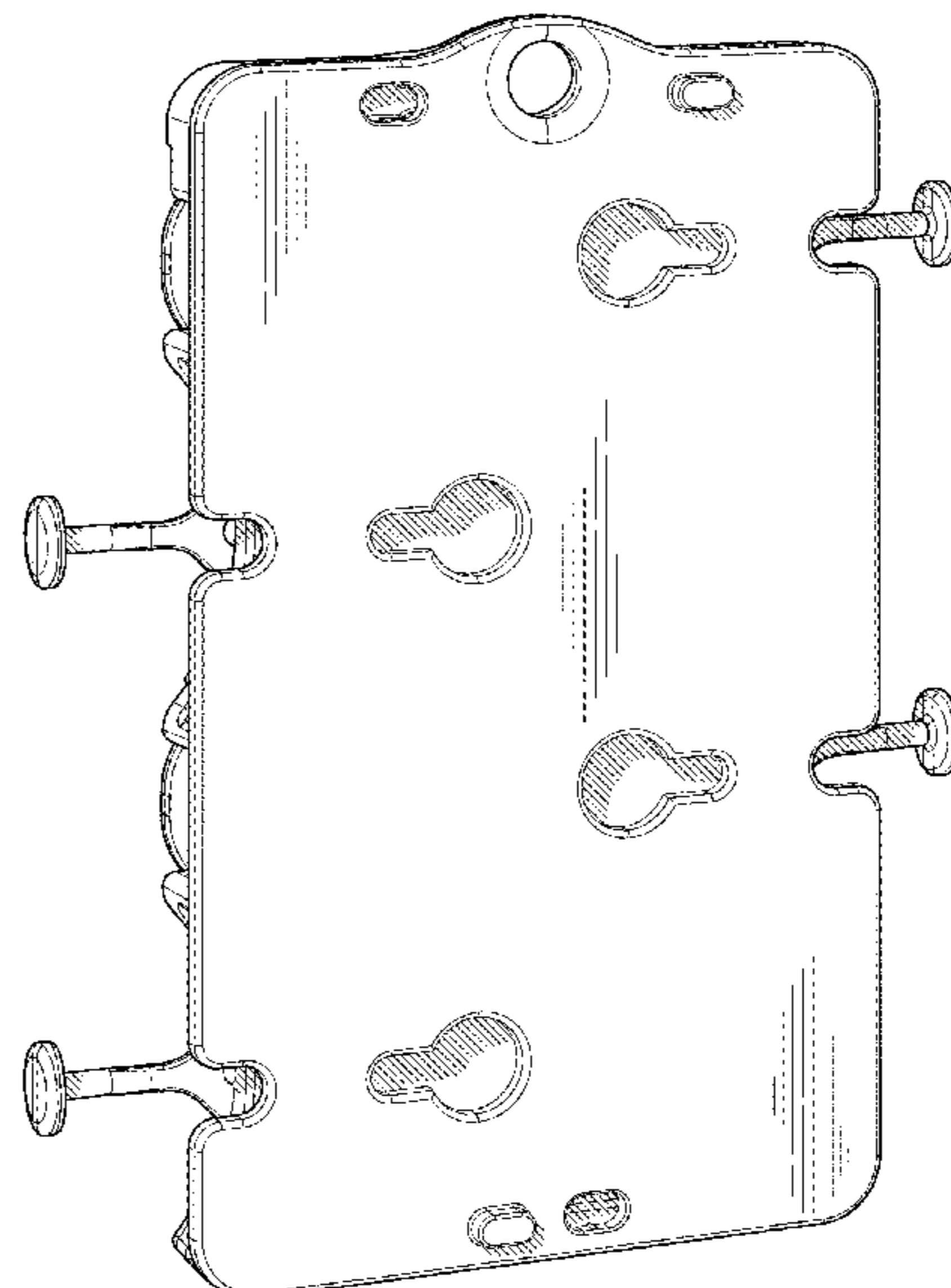
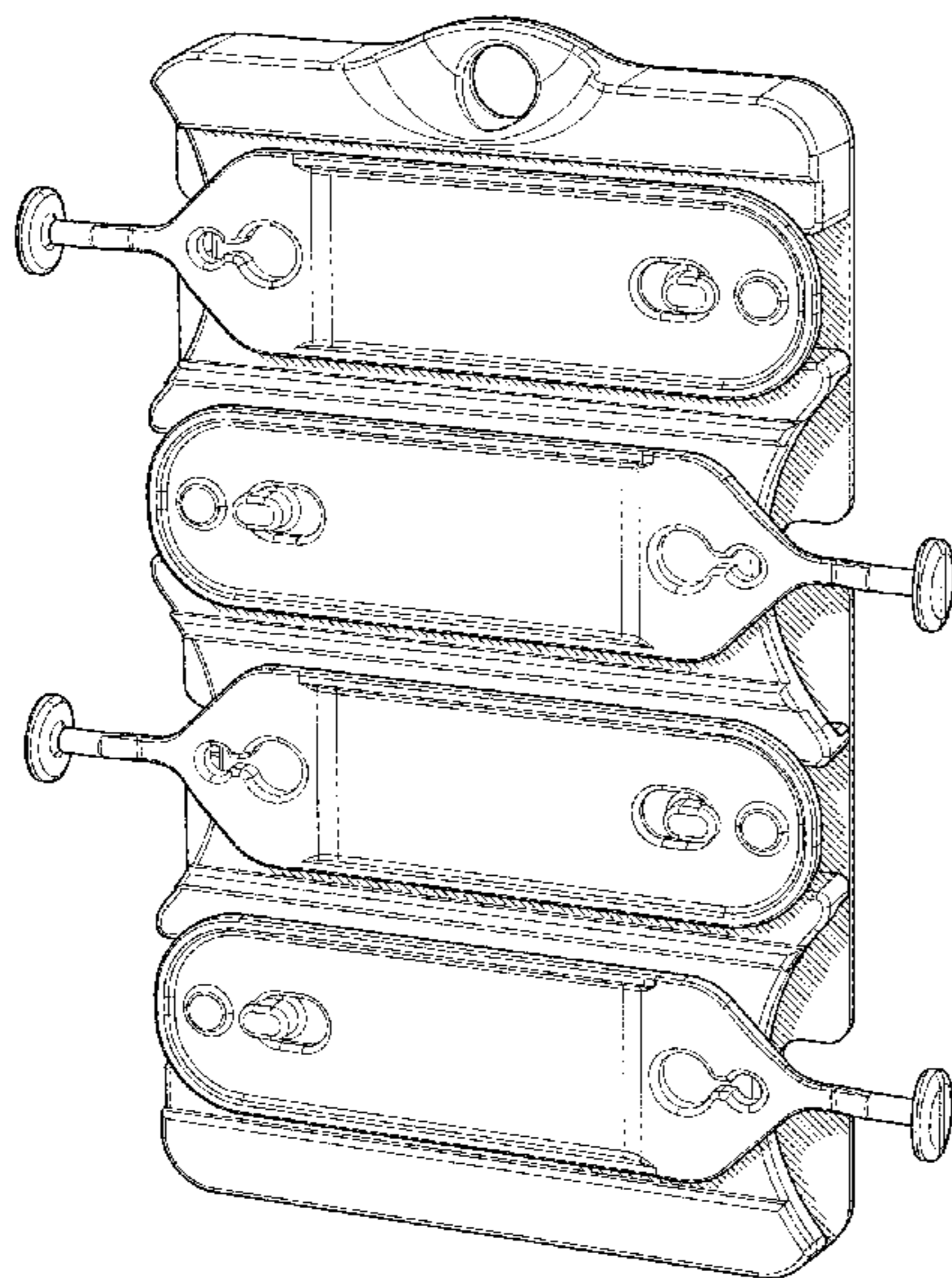
(57) **CLAIM**

The ornamental design for a key organizer, as shown and described.

**DESCRIPTION**

FIG. 1 shows a front right perspective view of a key organizer;  
 FIG. 2 shows a rear right perspective view of the key organizer of FIG. 1;  
 FIG. 3 shows a front left perspective view of the key organizer of FIG. 1;  
 FIG. 4 shows a front view of the key organizer of FIG. 1;  
 FIG. 5 shows a rear view of the key organizer of FIG. 1;  
 FIG. 6 shows a left side view of the key organizer of FIG. 1;  
 FIG. 7 shows a right-side view of the key organizer of FIG. 1;  
 FIG. 8 shows a top view of the key organizer of FIG. 1; and,  
 FIG. 9 shows a bottom view of the key organizer of FIG. 1.  
 The broken lines illustrate portions of the key organizer that form no part of the claimed design.

**1 Claim, 7 Drawing Sheets**



(56)

References Cited

U.S. PATENT DOCUMENTS

1,877,910 A \* 9/1932 Enfant ..... A45C 11/32  
206/37.4  
1,966,937 A \* 7/1934 Segal ..... A45C 11/323  
206/37  
2,271,090 A \* 1/1942 Newman ..... A45C 11/323  
70/456 B  
2,344,581 A \* 3/1944 Ziegeweid ..... A45C 11/328  
40/634  
2,401,753 A \* 6/1946 Geller ..... A45C 11/323  
70/456 B  
2,414,041 A \* 1/1947 Hawes ..... A45C 11/323  
70/456 B  
2,488,661 A \* 11/1949 Eisenman ..... A45C 11/323  
206/37.6  
2,624,139 A \* 1/1953 Kottke ..... G09F 3/18  
40/634  
2,648,216 A \* 8/1953 Hanna ..... A45C 11/323  
70/456 B  
2,680,369 A \* 6/1954 Koelling ..... A45C 11/323  
70/456 R  
2,889,050 A \* 6/1959 Modrey ..... A47G 29/10  
211/4  
2,969,823 A \* 1/1961 Sherwood ..... A45C 11/323  
206/37.6  
2,972,880 A \* 2/1961 Robinson ..... A45C 11/323  
70/456 B  
2,978,897 A \* 4/1961 Capitani ..... A45C 11/323  
206/37.5  
3,279,513 A \* 10/1966 Henderson ..... A45C 11/323  
206/37.4  
3,349,590 A \* 10/1967 Elsenheimer ..... A45C 11/323  
24/601.5  
3,379,041 A \* 4/1968 Hanna ..... A45C 11/323  
206/37.7  
3,442,103 A \* 5/1969 Page ..... A45C 11/323  
70/456 B

3,703,822 A \* 11/1972 Elsenheimer ..... A45C 11/323  
70/456 B  
3,933,017 A \* 1/1976 Shee ..... A47G 29/10  
312/234.1  
4,102,165 A \* 7/1978 Dziura ..... A45C 11/323  
70/456 B  
D260,829 S \* 9/1981 Creamer ..... D6/563  
4,458,511 A \* 7/1984 Amelang ..... A45C 11/323  
70/456 B  
4,571,967 A \* 2/1986 Jacobsen ..... A45C 11/323  
70/456 R  
4,976,124 A \* 12/1990 Sanders ..... A44B 15/00  
224/269  
D331,855 S \* 12/1992 Kaplan ..... D6/512  
D468,949 S \* 1/2003 Howard ..... A47G 29/10  
D6/569  
D469,647 S \* 2/2003 Howard ..... A47G 29/10  
D6/569  
D478,450 S \* 8/2003 Howard ..... A47G 29/10  
D6/569  
D587,936 S \* 3/2009 Johnson ..... D6/563  
2005/0016233 A1 \* 1/2005 Howard ..... A45F 5/02  
70/456 R

OTHER PUBLICATIONS

Identikey—Card Storage + ID System, Amazon.com, Date First Available: Dec. 22, 2016, [online], [site visited May 2, 2018]. <URL: <https://www.amazon.com/IdentiKey-Storage-System-X3-88-colors/dp/B01N1UY7CX>> (Year: 2016).\*

Key Racks, IKGGoodwin.com, [online], [site visited May 2, 2018]. <URL: [https://www.lkgoodwin.com/more\\_info/key\\_racks/key\\_racks.shtml](https://www.lkgoodwin.com/more_info/key_racks/key_racks.shtml)> (Year: 2018).\*

Key Rack 24, Durable-North America.com, [online], [site visited May 2, 2018]. <URL: <https://www.durable-north-america.com/office-and-facility-equipment/key-storage/key-boxes/key-rack-24.html>> (Year: 2018).\*

\* cited by examiner

FIG. 1

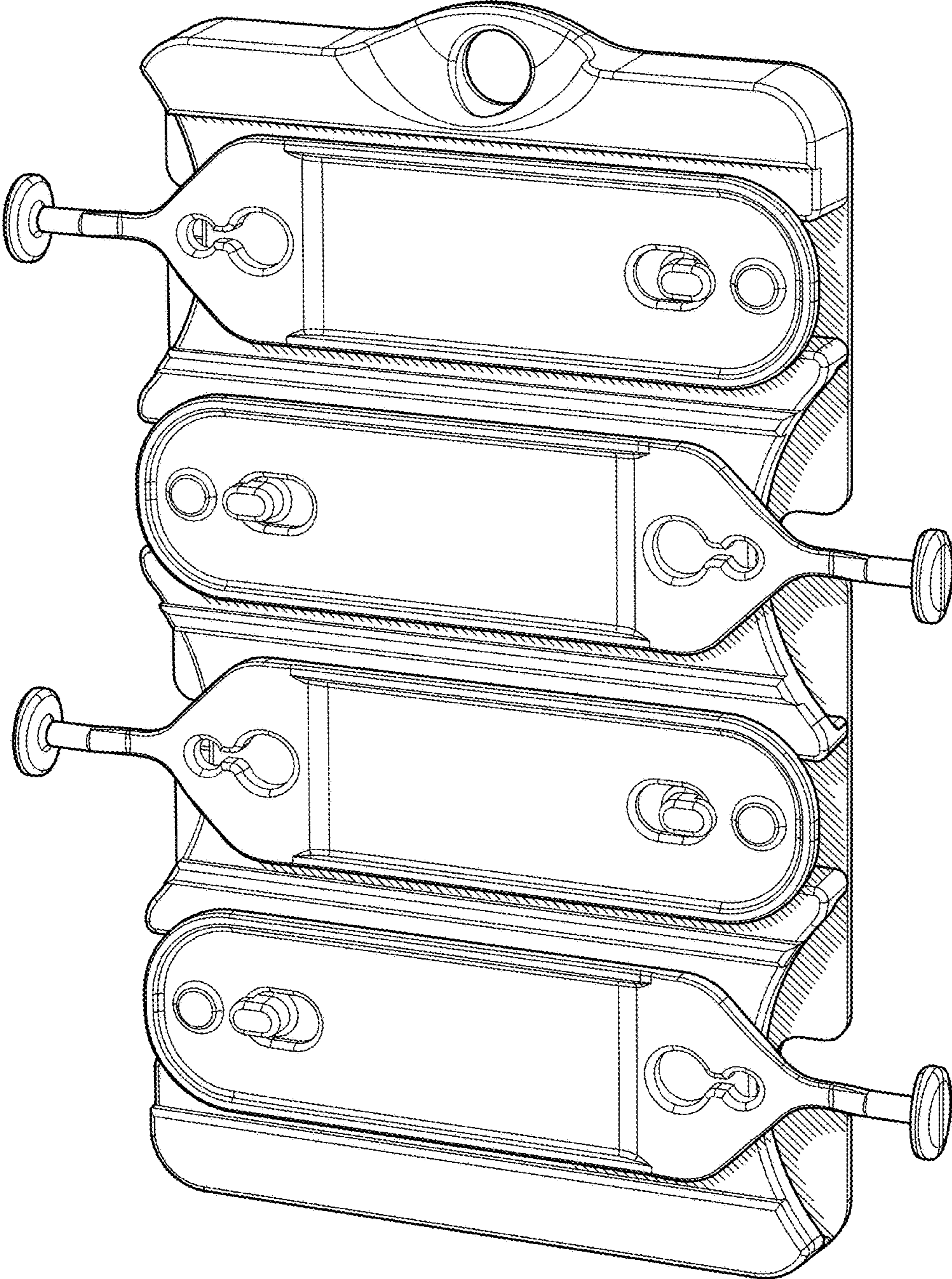


FIG. 2

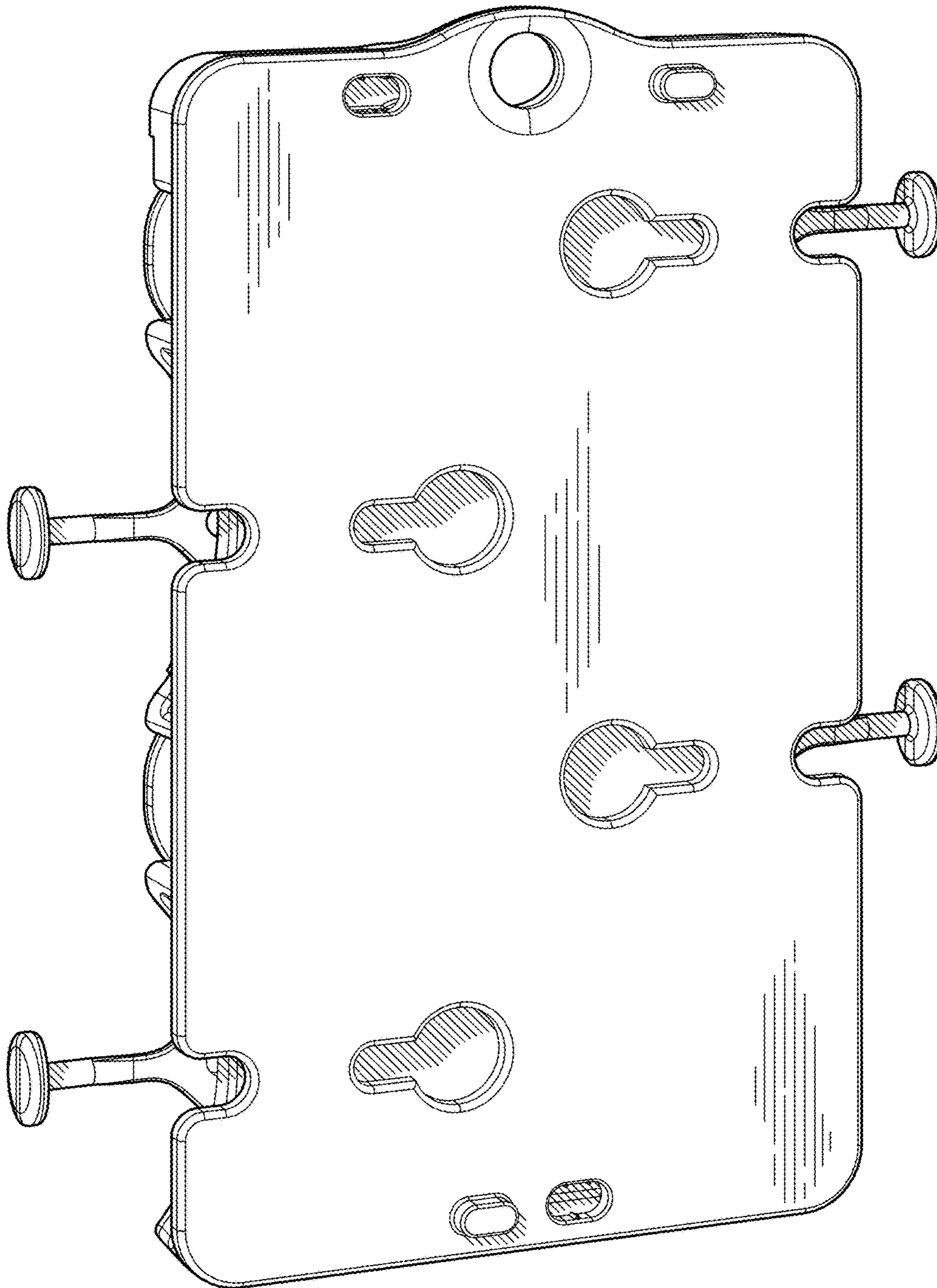


FIG. 3

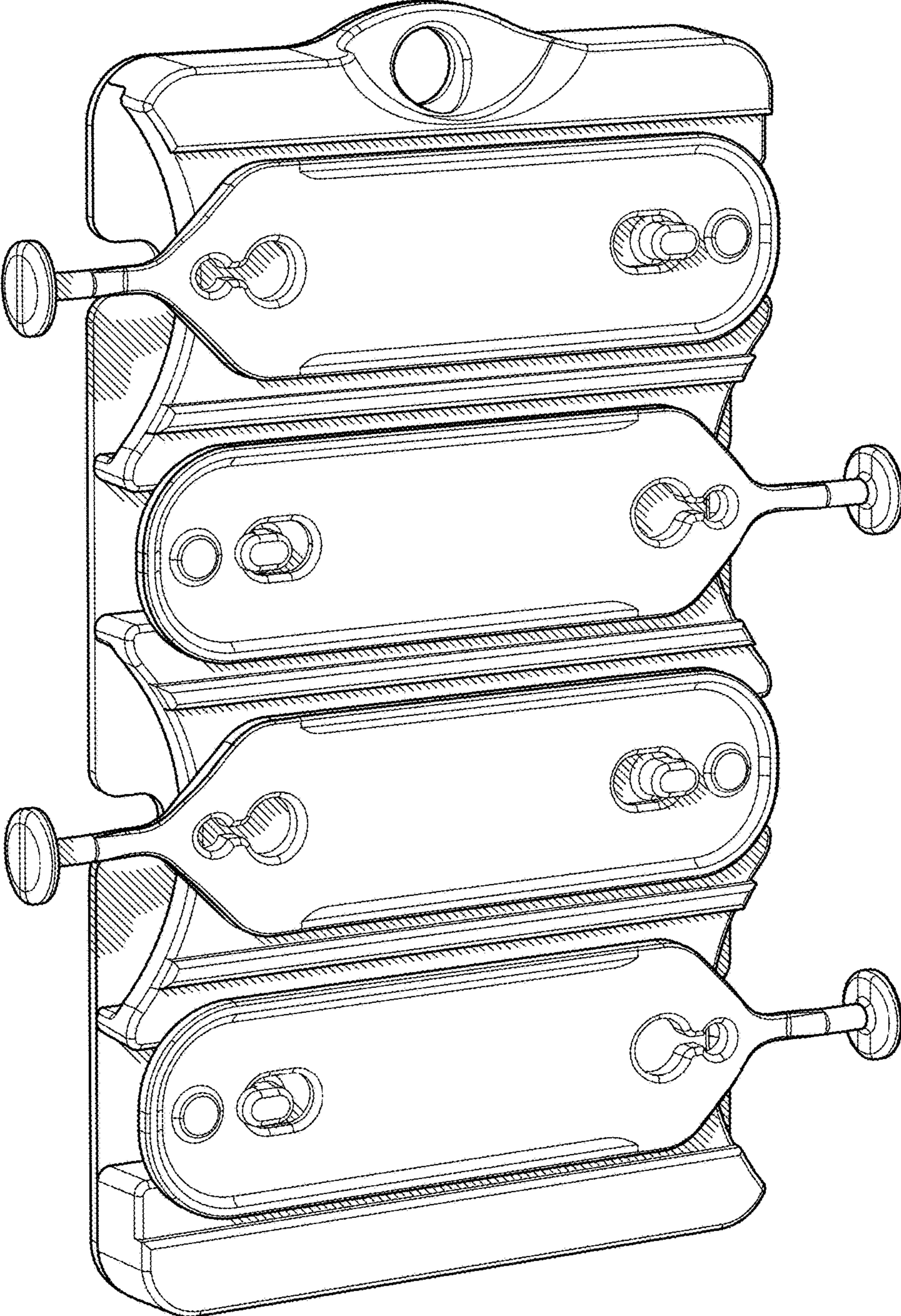


FIG. 4

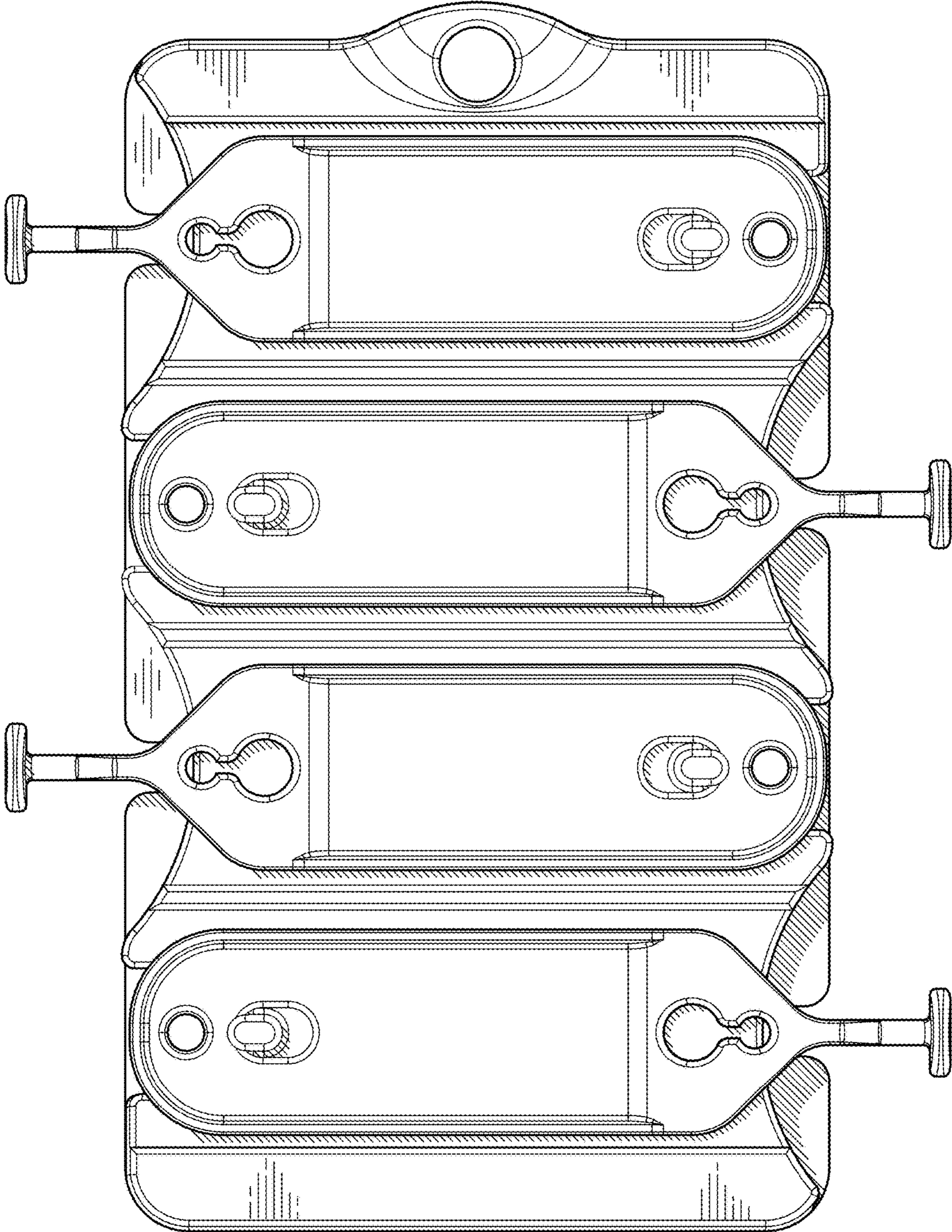
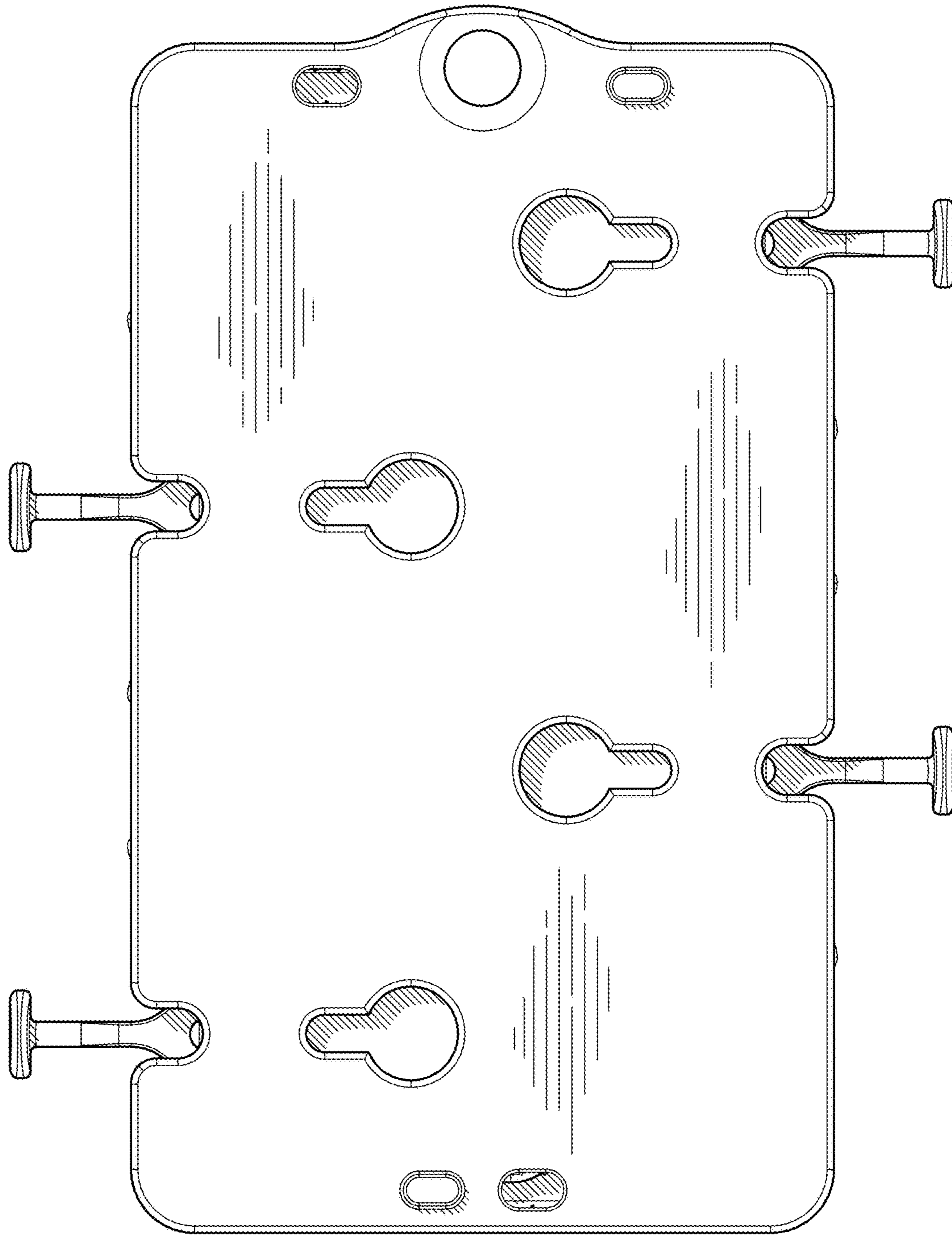
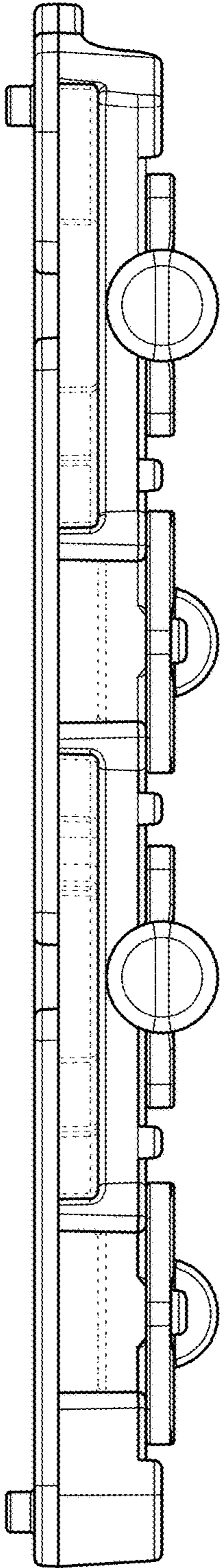


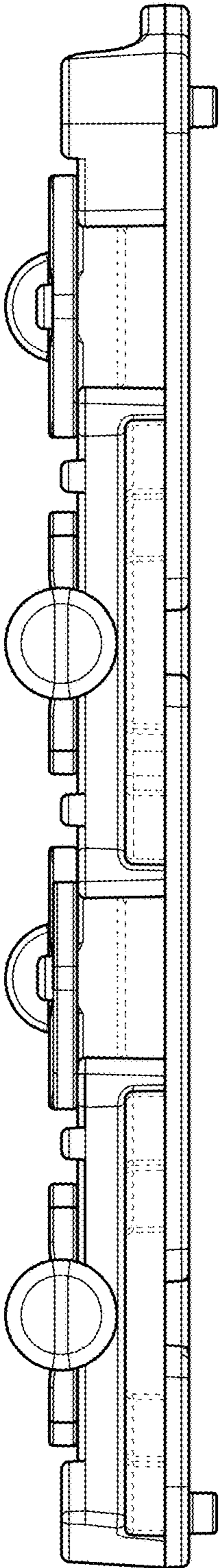
FIG. 5



**FIG. 6**

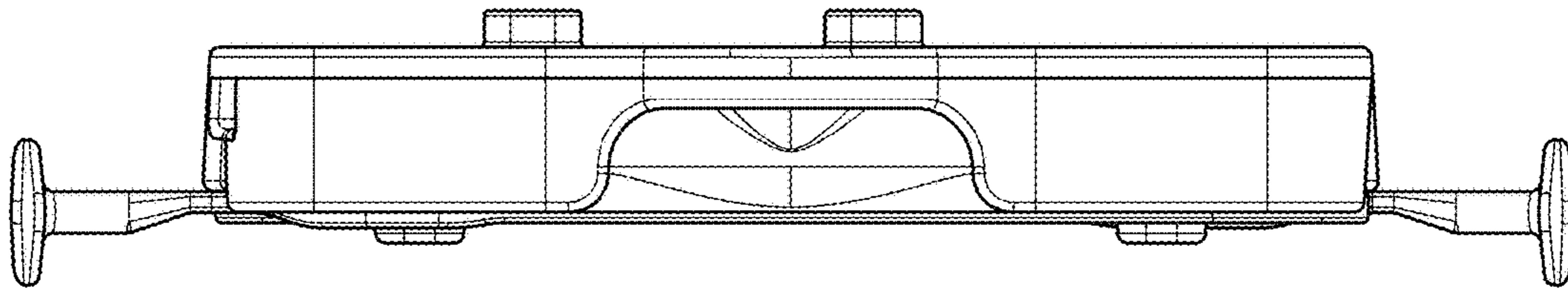


**FIG. 7**





**FIG. 8**



**FIG. 9**

