



US00D850093S

(12) **United States Design Patent** (10) **Patent No.:** **US D850,093 S**
Akin et al. (45) **Date of Patent:** **** *Jun. 4, 2019**

(54) **UMBRELLA WITH SOLAR PANELS**

(71) Applicant: **ZON**, Manhattan Beach, CA (US)

(72) Inventors: **Sarah Akin**, Manhattan Beach, CA (US); **David Johnson**, San Francisco, CA (US)

(73) Assignee: **ZON**, Manhattan Beach, CA (US)

(*) Notice: This patent is subject to a terminal disclaimer.

(**) Term: **15 Years**

(21) Appl. No.: **29/554,661**

(22) Filed: **Feb. 12, 2016**

D248,042 S 5/1978 Ouelette
4,193,389 A 3/1980 Ku
4,527,721 A 7/1985 Goldstein
D306,093 S * 2/1990 Lerch D3/5
D330,031 S 10/1992 Bohanon
D336,982 S 7/1993 Johnson
D345,645 S 4/1994 Good
D349,397 S 8/1994 Peng
D372,156 S 7/1996 Botsford
D373,465 S 9/1996 Chipman
D373,467 S 9/1996 Chipman
D373,468 S 9/1996 Dubinsky
D396,741 S 8/1998 Vitali et al.

(Continued)

FOREIGN PATENT DOCUMENTS

CN 302500131 7/2013
JP D1442286 6/2012
JP 1469397 5/2013

Related U.S. Application Data

(62) Division of application No. 29/467,889, filed on Sep. 24, 2013, now Pat. No. Des. 749,313.

(51) **LOC (11) Cl.** **03-03**

(52) **U.S. Cl.**
USPC **D3/5**

(58) **Field of Classification Search**
USPC D3/5, 6, 10; D21/839; D13/102, 118, D13/199
CPC A45B 11/00; A45B 15/00; A45B 17/00; A45B 23/00; A45B 25/00; A45B 25/18; A45B 25/30; A45B 2200/1009; A45B 2200/1018; A45B 2200/1027
See application file for complete search history.

OTHER PUBLICATIONS

Solar Powered Umbrella with USB Ports Product Reference, Apr. 5, 2013, 17 pages.

(Continued)

Primary Examiner — John Windmuller
Assistant Examiner — Steven J Czyz

(74) *Attorney, Agent, or Firm* — Aka Chan LLP

(57) **CLAIM**

The ornamental design for an umbrella with solar panels, as shown and described.

DESCRIPTION

FIG. 1 is a perspective view of an umbrella with solar panels.

FIG. 2 is a top view thereof; and,

FIG. 3 is a side view thereof.

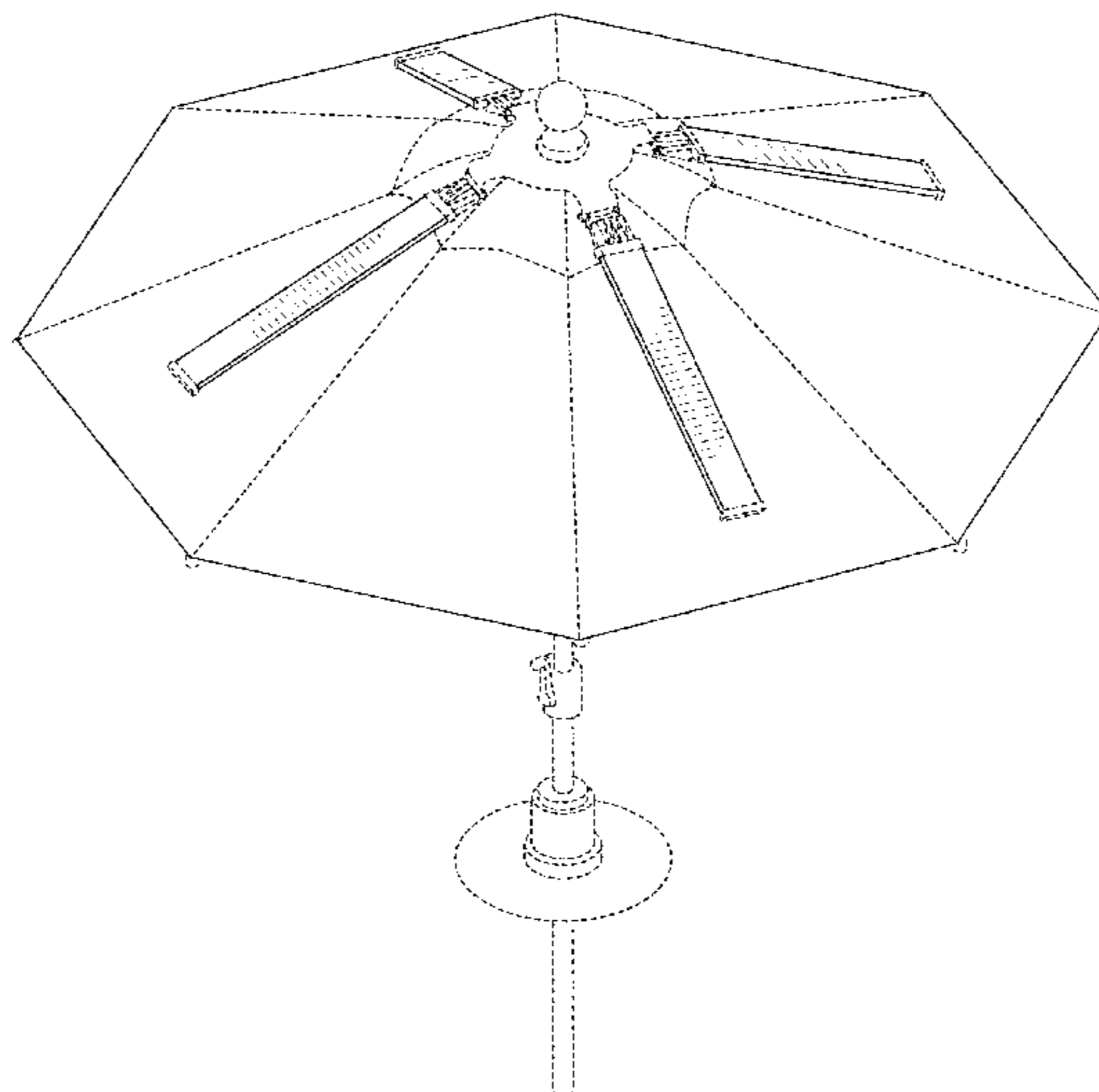
The broken lines depict portions of the article that form no part of the claimed design.

1 Claim, 3 Drawing Sheets

(56) **References Cited**

U.S. PATENT DOCUMENTS

127,702 A 6/1872 Nash
1,241,166 A 9/1917 Swenson
1,397,789 A 11/1921 Stonestreet
2,031,466 A 2/1936 Criqui
D151,655 S 11/1948 Preaus



(56)

References Cited

U.S. PATENT DOCUMENTS

D418,671 S 1/2000 Tsai
 D443,409 S 6/2001 Pilz et al.
 D460,549 S 7/2002 Sonneman
 D485,347 S 1/2004 Bucher
 6,830,058 B2 12/2004 Li
 6,923,058 B2 8/2005 Nieman et al.
 D510,624 S 10/2005 Graham
 7,000,624 B2* 2/2006 Chang A45B 3/04
 135/16
 7,013,903 B2 3/2006 Li
 D530,269 S 10/2006 Fowler et al.
 D561,460 S 2/2008 Peterson
 7,562,667 B2 7/2009 Li
 D600,200 S* 9/2009 Dimov D13/102
 D668,443 S* 10/2012 Sims, II D3/5
 8,360,079 B2 1/2013 Li
 D680,949 S 4/2013 Swatek
 D681,548 S 5/2013 Zhang et al.
 D688,621 S* 8/2013 Mozzardi D13/102
 D693,561 S* 11/2013 Akin D13/102
 D693,562 S* 11/2013 Akin D13/102
 D693,563 S* 11/2013 Akin D13/102
 D701,828 S 4/2014 Garrett-Schesch
 D701,829 S 4/2014 Garrett-Schesch
 D702,037 S* 4/2014 Akin D13/102
 8,695,614 B2 4/2014 Chaimovski et al.
 D703,939 S* 5/2014 Akin D13/102
 D706,026 S* 6/2014 Akin D13/102
 D724,524 S 3/2015 Garrett-Schesch
 D727,253 S* 4/2015 Presley D13/102
 D728,466 S* 5/2015 Ehram D13/102
 D748,905 S* 2/2016 Akin D13/102
 D749,313 S* 2/2016 Akin D13/102
 D758,062 S* 6/2016 Akin D13/102
 D758,298 S* 6/2016 Akin D13/102
 D763,787 S* 8/2016 Parilla D13/102
 D769,808 S* 10/2016 Derkacs D13/102
 D770,756 S* 11/2016 Akin D3/5
 D770,757 S* 11/2016 Akin D3/10
 D772,802 S* 11/2016 Haas D13/102

D772,803 S* 11/2016 Haas D13/102
 2003/0000559 A1* 1/2003 Wu A45B 3/04
 135/16
 2004/0228118 A1* 11/2004 Peterson A45B 3/04
 362/102
 2005/0121063 A1* 6/2005 Chang A45B 3/04
 135/15.1
 2005/0161067 A1* 7/2005 Hollins A45B 23/00
 135/16
 2007/0283987 A1* 12/2007 Reyes A45B 3/04
 135/16
 2009/0058354 A1* 3/2009 Harrison A45B 3/00
 320/101
 2010/0154786 A1* 6/2010 Li A45B 23/00
 126/624
 2010/0180922 A1* 7/2010 McKenna A45B 25/18
 135/96
 2011/0265694 A1* 11/2011 Portis A45B 3/00
 108/50.12
 2014/0009103 A1* 1/2014 Nita H02J 7/355
 320/101
 2014/0028242 A1* 1/2014 Akin H02J 7/35
 320/101
 2014/0144490 A1* 5/2014 Richardson E04H 6/025
 136/251
 2015/0216273 A1* 8/2015 Akin A45B 25/00
 135/16

OTHER PUBLICATIONS

U.S. Appl. No. 29/499,274, filed Aug. 13, 2014.
 SolProX Solar Powered Umbrella, Announced Feb. 28, 2013 (site visited Sep. 16, 2013); <http://www.solprox.com>.
 Solar Paneled Umbrella Will Charge Your Gadget While You Hang in The Sun, Announced May 28, 2009, (site visited Sep. 16, 2015); <http://www.engadget.com/2009/05/28/solar-paneled-umbrella-will-charge-your-gadgets-while-you-hang-i/>.
 Wind Energy: Wind Turbines with Solar Panel, Announced Apr. 30, 2013, (site visited Sep. 16, 2015); <http://easywindenergy.blogspot.com/2013/04/wind-turbines-with-solar-panel.html>.

* cited by examiner

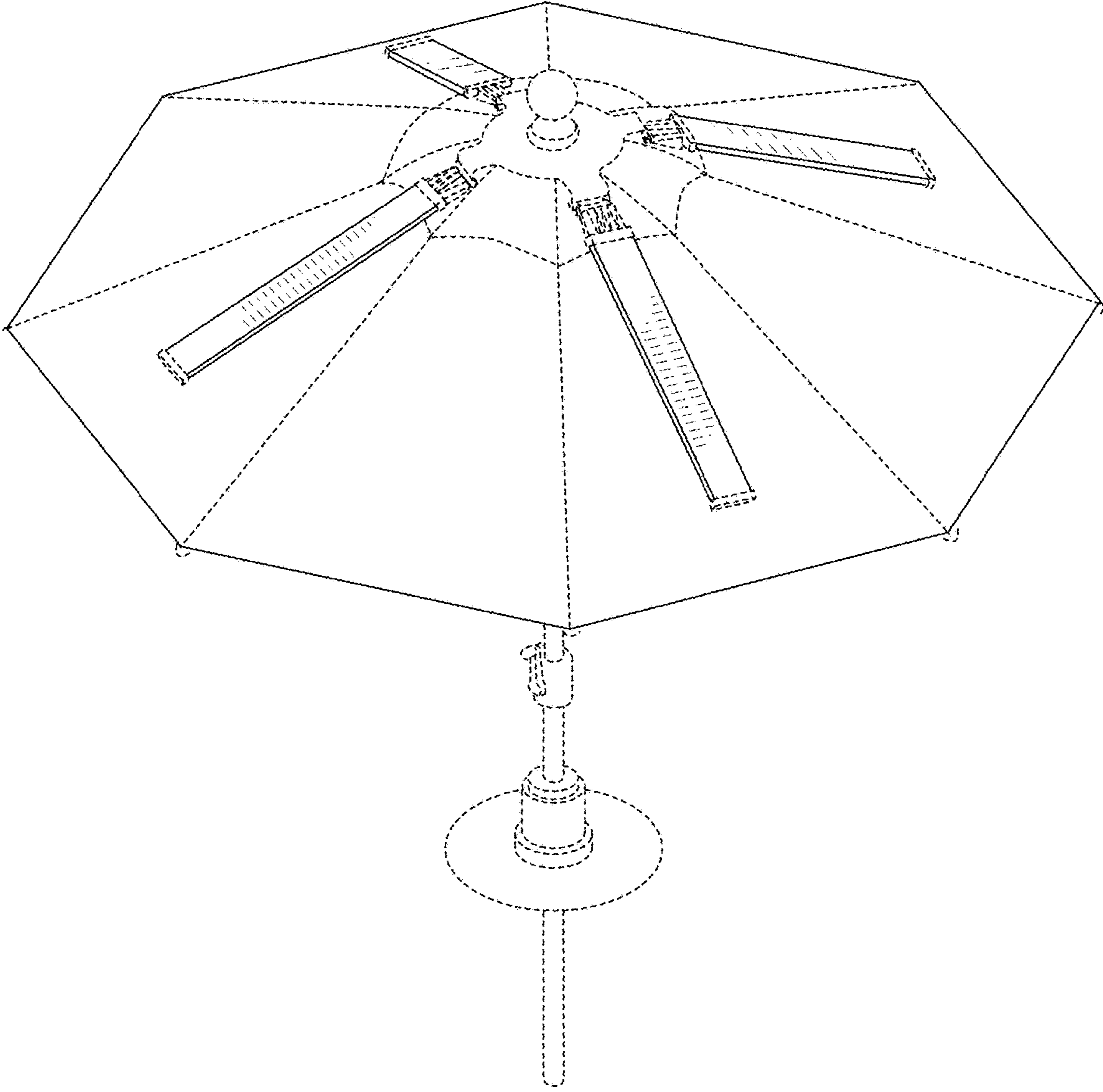


FIG. 1

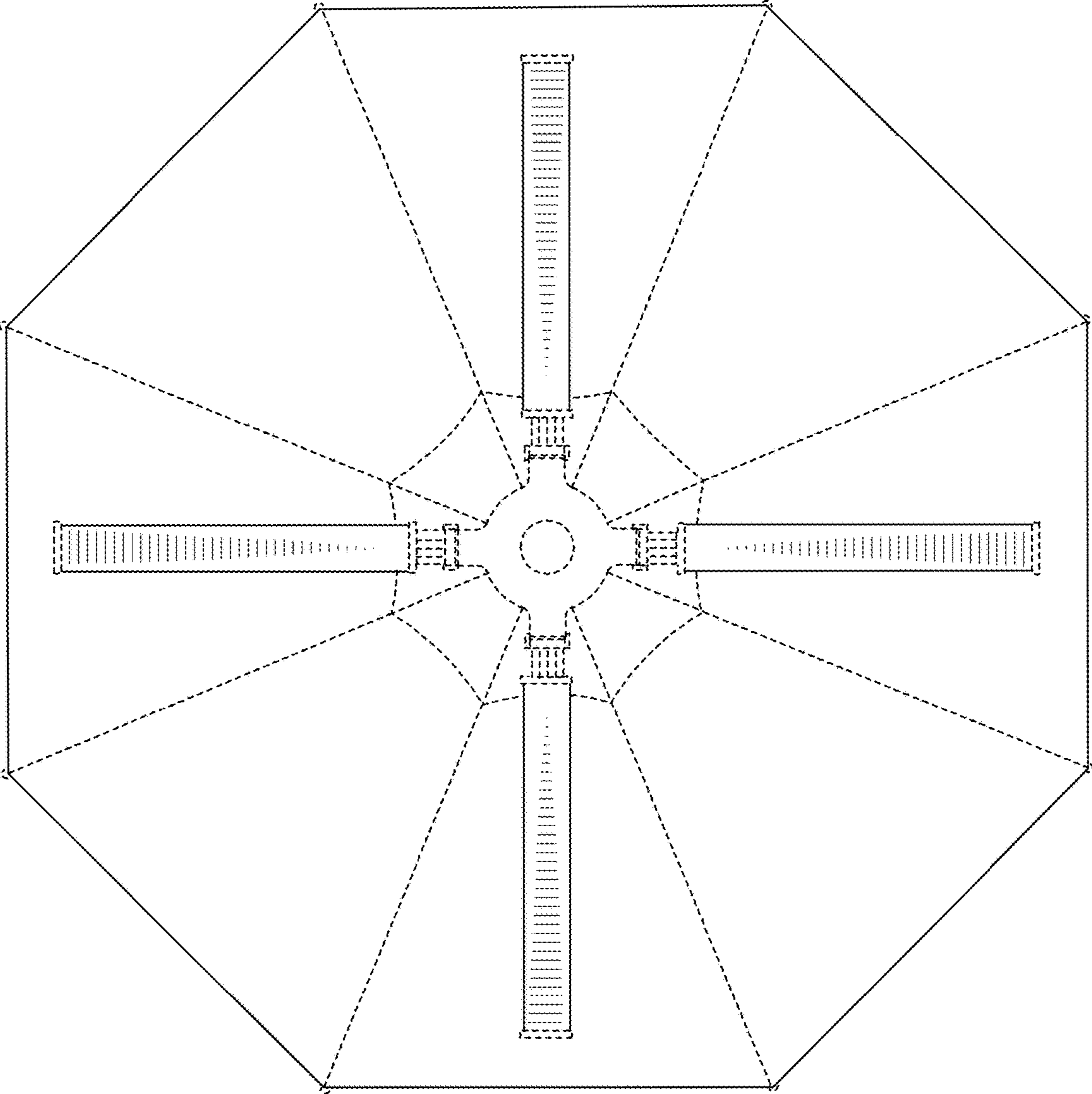


FIG. 2

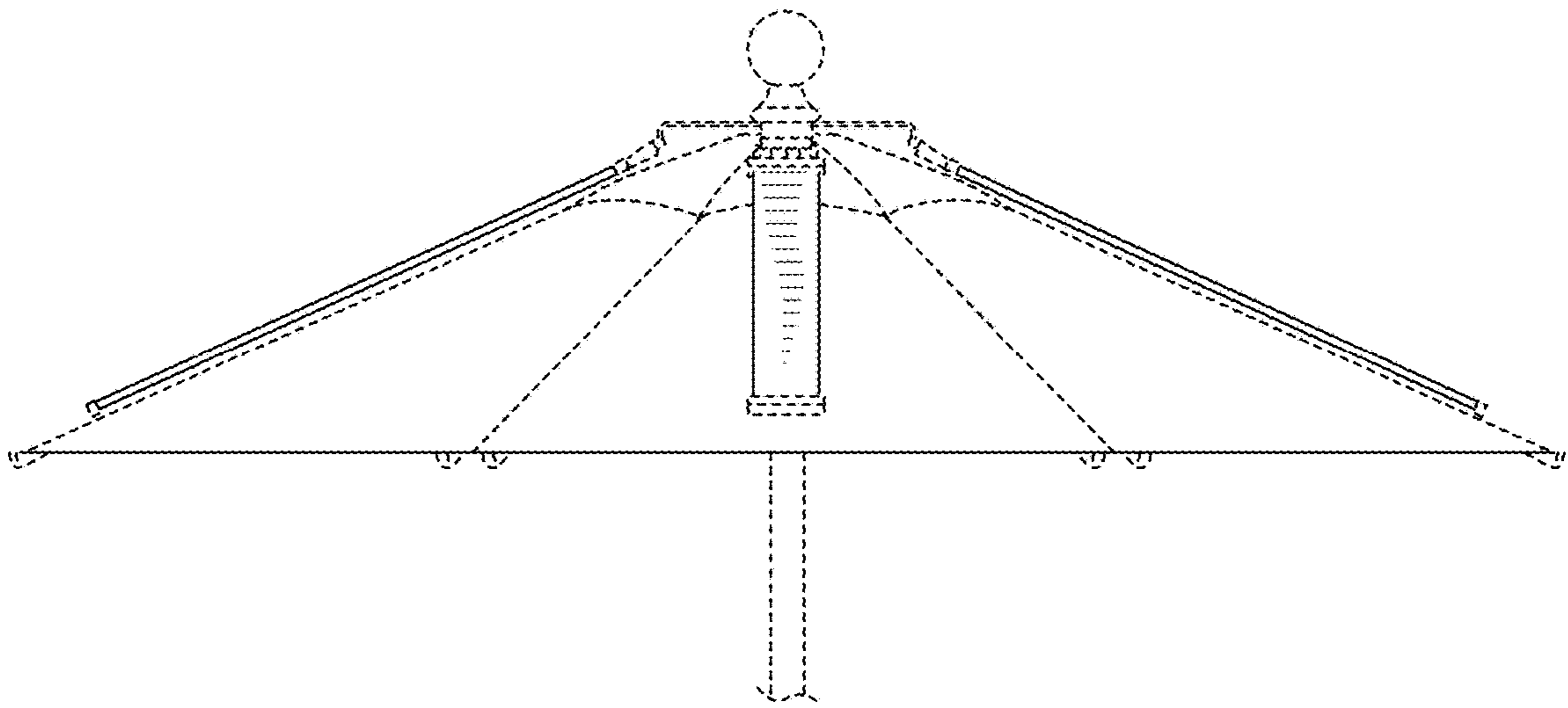


FIG. 3