



US00D850066S

(12) **United States Design Patent** (10) **Patent No.:** **US D850,066 S**
Isaack (45) **Date of Patent:** **** Jun. 4, 2019**

(54) **BOOT COVER**
(71) Applicant: **Matthew Isaack**, Monument, CO (US)
(72) Inventor: **Matthew Isaack**, Monument, CO (US)
(73) Assignee: **BOOT QUARTERS, LLC**,
Mooreville, NC (US)
(**) Term: **15 Years**
(21) Appl. No.: **29/616,018**
(22) Filed: **Sep. 1, 2017**
(51) **LOC (11) Cl.** **02-04**
(52) **U.S. Cl.**
USPC **D2/946; D2/909**
(58) **Field of Classification Search**
USPC D2/901, 902, 907-909, 912, 943-946,
D2/962, 969, 972-974, 976, 978
CPC A41D 17/00
See application file for complete search history.

1,607,256 A * 11/1926 Friedenthal A41D 17/00
36/2 R
1,708,144 A * 4/1929 Martin A41D 17/00
2/61
1,783,832 A * 12/1930 Ellis A41D 17/02
36/2 R
2,262,564 A * 11/1941 Strother A41D 17/00
36/2 R
2,344,415 A * 3/1944 Neva A41D 17/00
36/2 R
2,426,668 A * 9/1947 Carrozza A41D 17/00
36/2 R

(Continued)

Primary Examiner — Kevin K Rudzinski
Assistant Examiner — Clare Ann Gannon
(74) *Attorney, Agent, or Firm* — Martensen IP

(57) **CLAIM**

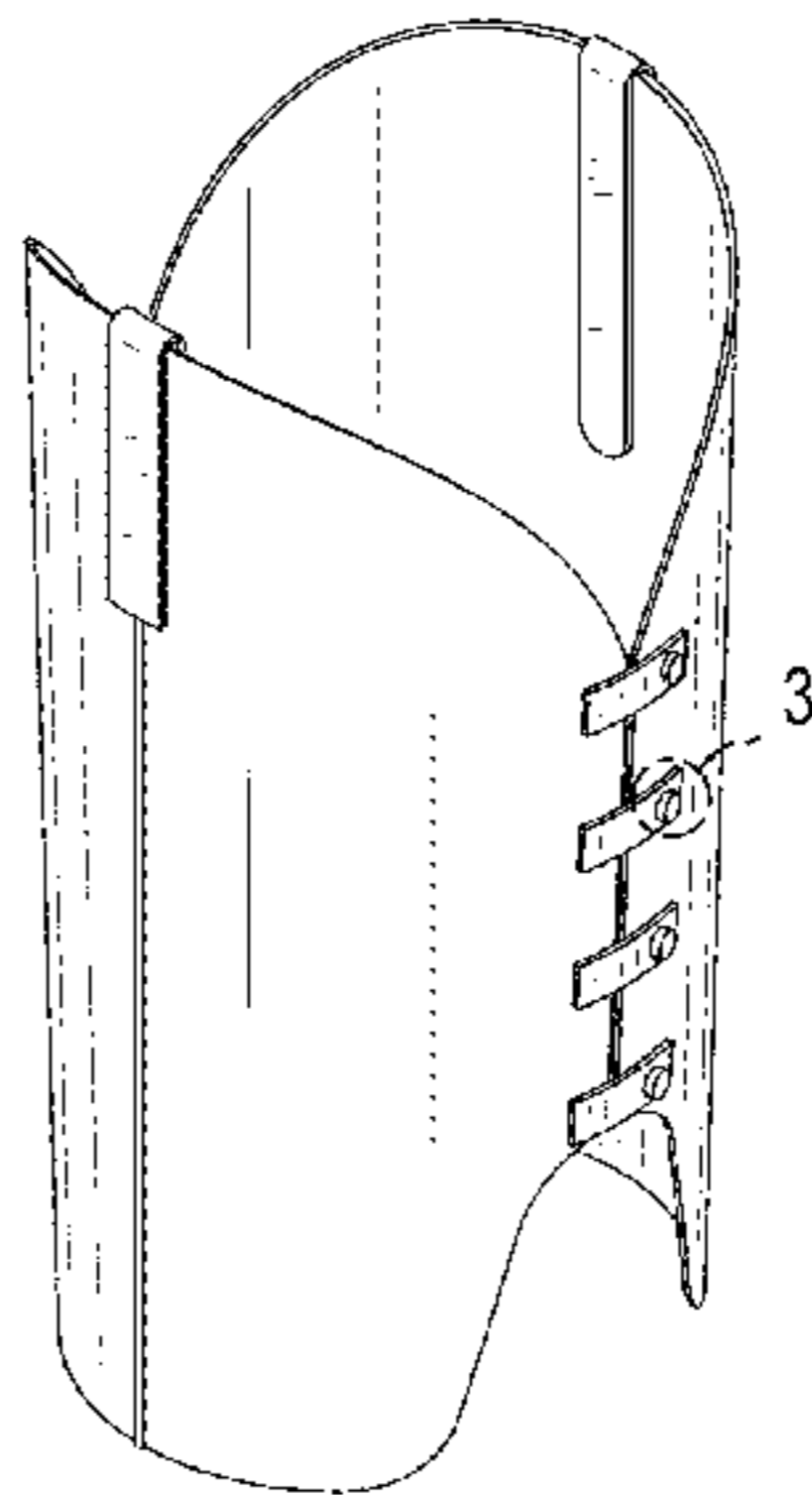
The ornamental design for a boot cover, as shown and described.

DESCRIPTION

The present application is related to commonly assigned U.S. patent applications Ser. Nos. 29/616,009, 29/616,011, 29/616,023 and 29/616,027, all filed Sep. 1, 2017. FIG. 1 is a front right perspective view of a boot cover, showing my new design; FIG. 2 is a rear left perspective view thereof; FIG. 3 is an enlarged detail view thereof taken from the area 3 in FIG. 2; FIG. 4 is a front elevation view thereof; FIG. 5 is a rear elevation view thereof; FIG. 6 is a right elevation view thereof; FIG. 7 is a left elevation view thereof; FIG. 8 is a top plan view thereof; and, FIG. 9 is a bottom plan view thereof. The broken lines depicting a boot represent environment that forms no part of the claimed design.

1 Claim, 5 Drawing Sheets

(56) **References Cited**
U.S. PATENT DOCUMENTS
42,157 A * 4/1864 Bedford A41D 17/00
36/2 R
562,784 A * 6/1896 Fisher A41D 17/00
36/2 R
1,159,648 A * 11/1915 Champ A43C 3/00
24/714.4
D49,604 S * 9/1916 Gentile 36/50.1
1,258,052 A * 3/1918 Stall A61F 13/08
473/214
1,272,386 A * 7/1918 Cutler A41D 17/00
36/2 R
1,273,586 A * 7/1918 Cook A41D 17/00
36/2 R
1,286,198 A * 12/1918 Ascheim A41D 17/00
36/2 R
1,472,519 A * 10/1923 Gingrich A43C 11/20
24/712.7



(56)

References Cited

U.S. PATENT DOCUMENTS

2,532,024 A * 11/1950 Hoffman A41D 17/00
36/2 R
D164,667 S * 10/1951 Bingham D2/912
2,704,898 A * 3/1955 Sleyman A41D 3/06
36/2 R
D190,718 S * 6/1961 Cohn D2/897
3,083,373 A * 4/1963 Rizzotto A41D 17/00
2/227
3,955,063 A * 5/1976 Berger A41D 17/00
219/211
D240,972 S * 8/1976 Adams D2/912
D268,625 S 4/1983 Vise
D268,709 S 4/1983 Vise
D278,850 S * 5/1985 Michaeli D2/969
D282,501 S * 2/1986 Lama D2/912
4,586,272 A * 5/1986 Forster A41D 17/00
36/2 A
RE32,506 E * 9/1987 Hightower, Jr. A41D 17/00
2/2.5
4,896,437 A * 1/1990 Johnson A41D 17/00
2/22
4,964,176 A * 10/1990 Previdi A41D 17/00
2/22
5,031,247 A * 7/1991 Carter A41D 13/0543
2/22
5,170,503 A * 12/1992 Hightower, Jr. A41D 17/02
2/22
D348,139 S 6/1994 Mohr
D366,560 S * 1/1996 Reedy D2/910
D377,114 S * 1/1997 Crowley A41D 17/00
D2/912
5,642,573 A * 7/1997 Brown A41D 17/00
36/132
D396,740 S * 8/1998 Magliulo A43B 3/16
D2/901
D447,861 S * 9/2001 Chaigne D2/978
D450,176 S * 11/2001 Hall D2/909
6,477,788 B1 * 11/2002 Chen A43B 3/166
36/1.5

D468,522 S * 1/2003 Wilson D2/972
D503,034 S * 3/2005 Choi D2/946
D505,777 S * 6/2005 Dunlap A41D 17/00
D2/901
D546,529 S 7/2007 Myskiw
D598,642 S * 8/2009 Plumert A41D 17/00
D2/946
D643,598 S * 8/2011 Ringholz A41D 17/00
D2/901
D651,380 S * 1/2012 Wilcots D2/901
D667,209 S * 9/2012 Castellon D2/912
8,683,715 B1 * 4/2014 Cantrell A41D 17/00
36/136
D707,938 S * 7/2014 Spring D2/969
D718,022 S * 11/2014 Shelton D2/901
D734,595 S * 7/2015 Brown A41D 17/02
D2/901
D740,524 S * 10/2015 Brown D2/901
9,210,959 B1 * 12/2015 Jankowski A43B 3/16
9,254,015 B2 * 2/2016 Nugent A43B 3/20
D778,550 S * 2/2017 Knutson A43B 5/1691
D2/909
D790,208 S * 6/2017 Taylor D2/909
D802,893 S * 11/2017 Matfus D2/909
D805,274 S * 12/2017 Maxie D2/909
2003/0097765 A1 * 5/2003 Chen A43B 3/166
36/2 R
2012/0153582 A1 * 6/2012 Feddersen, Jr. A43B 5/1691
280/11.221
2013/0133228 A1 5/2013 Nugent
2013/0340294 A1 * 12/2013 Manning A41D 17/02
36/2 R
2014/0041260 A1 2/2014 Jewell et al.
2015/0250236 A1 * 9/2015 Garcia A41D 13/0543
2/22
2016/0316851 A1 11/2016 Markin
2018/0084850 A1 * 3/2018 Smith A41D 17/00
D2/909
2018/0116313 A1 * 5/2018 James A41D 17/00
D2/897

* cited by examiner

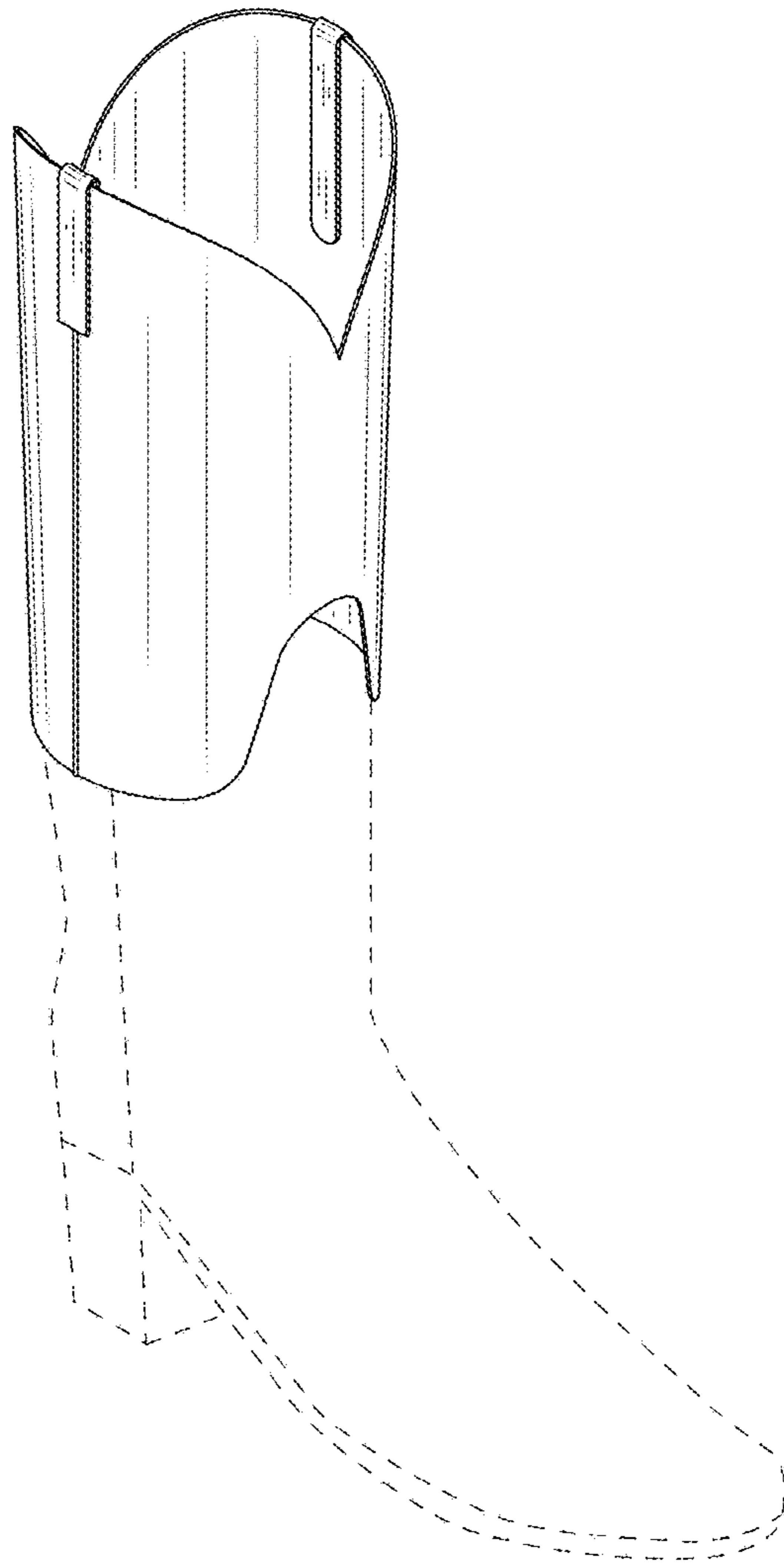


FIG.1

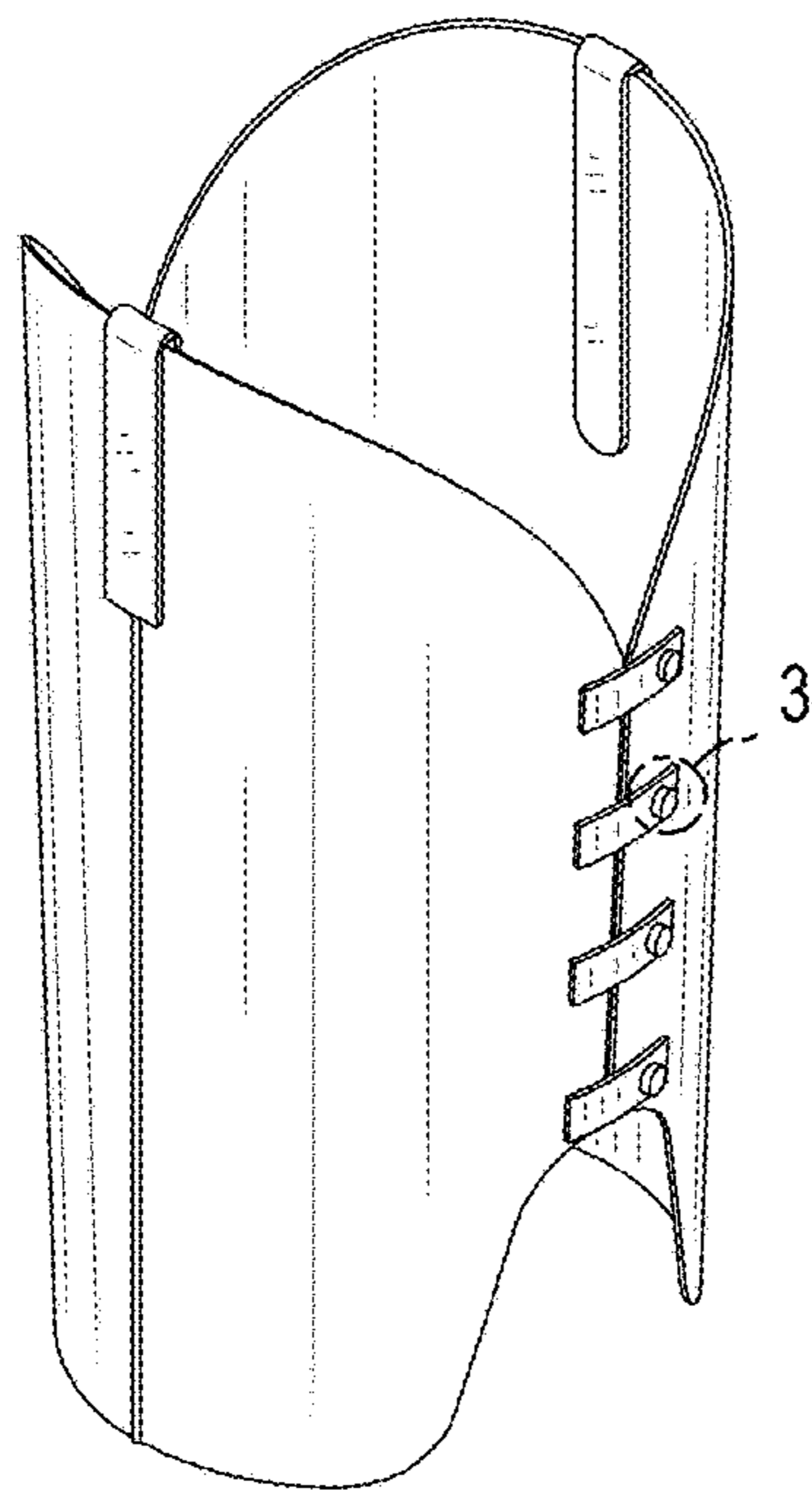


FIG. 2

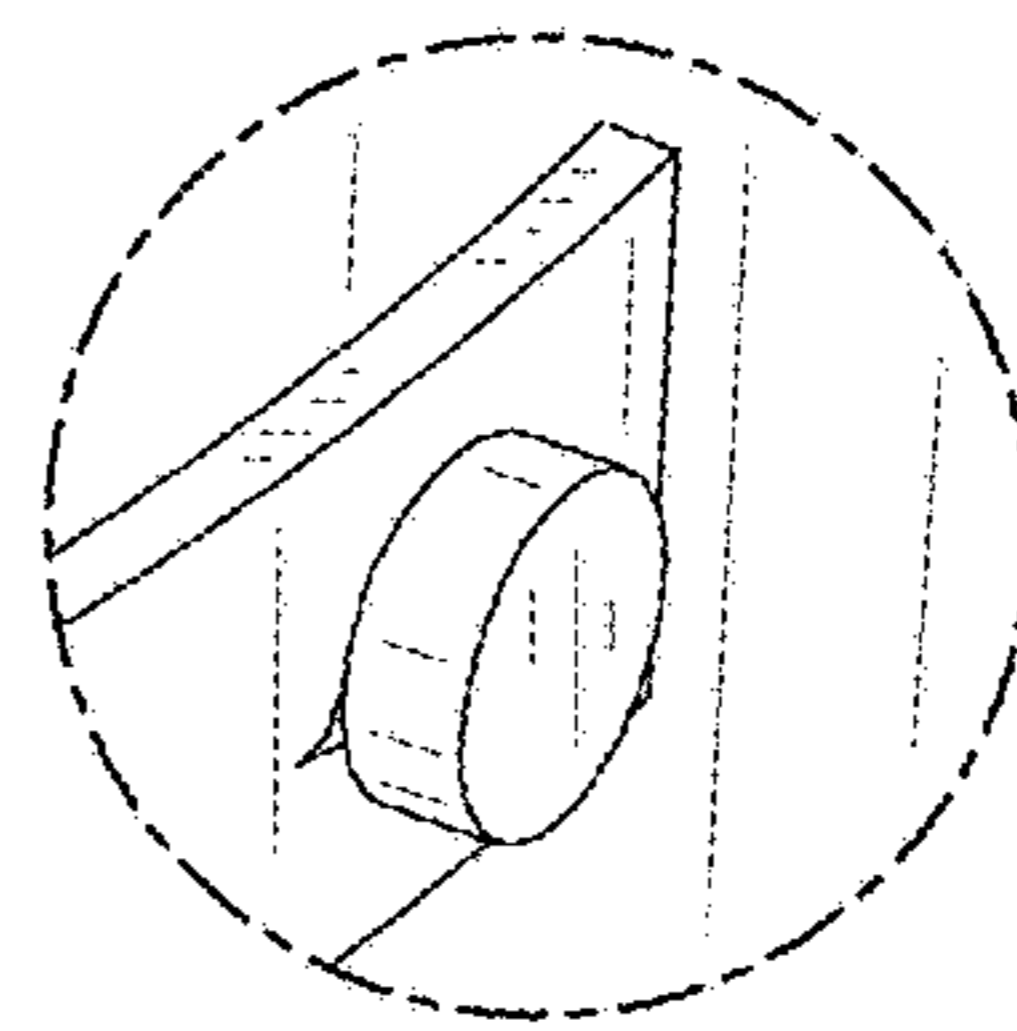


FIG. 3

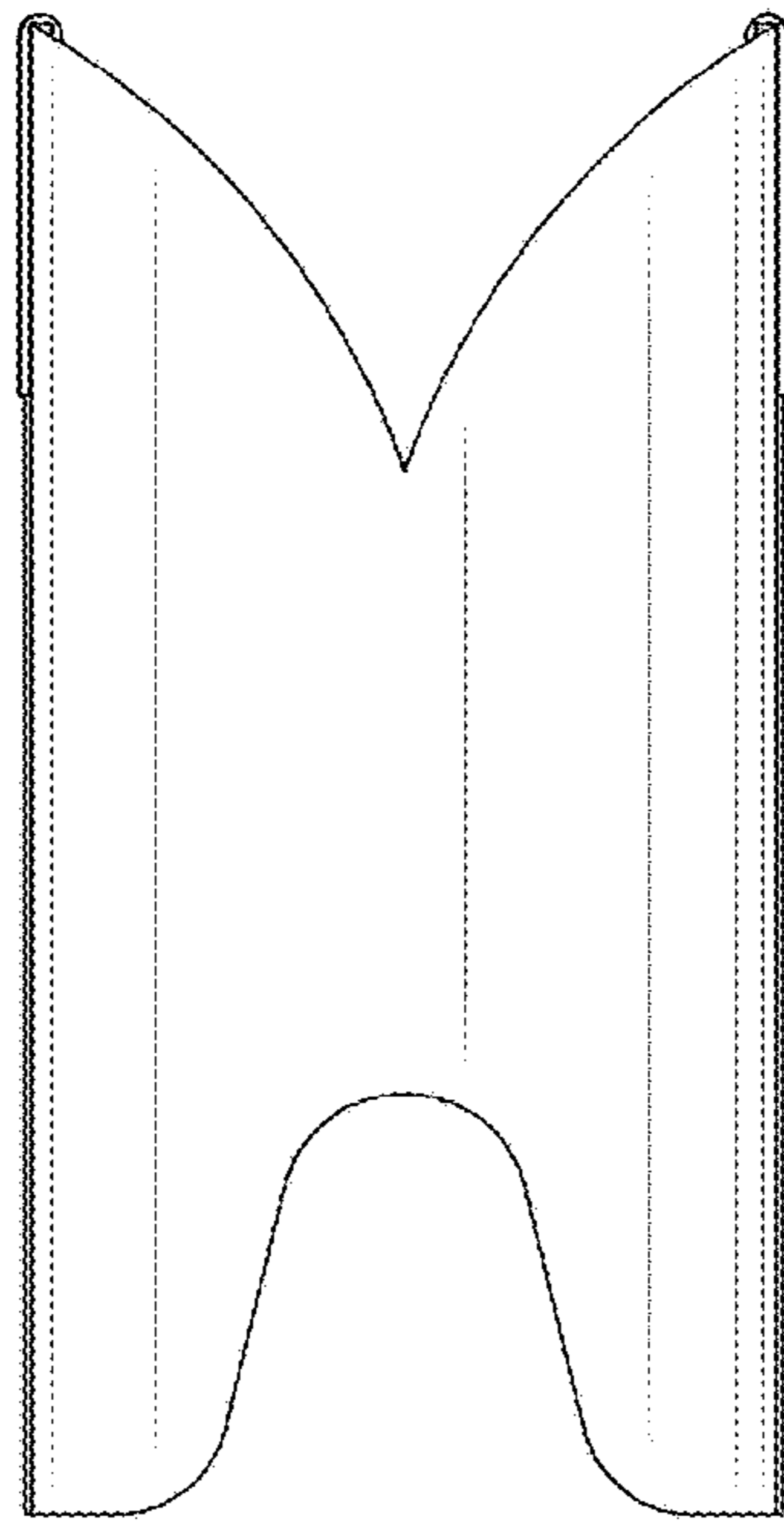


FIG. 4

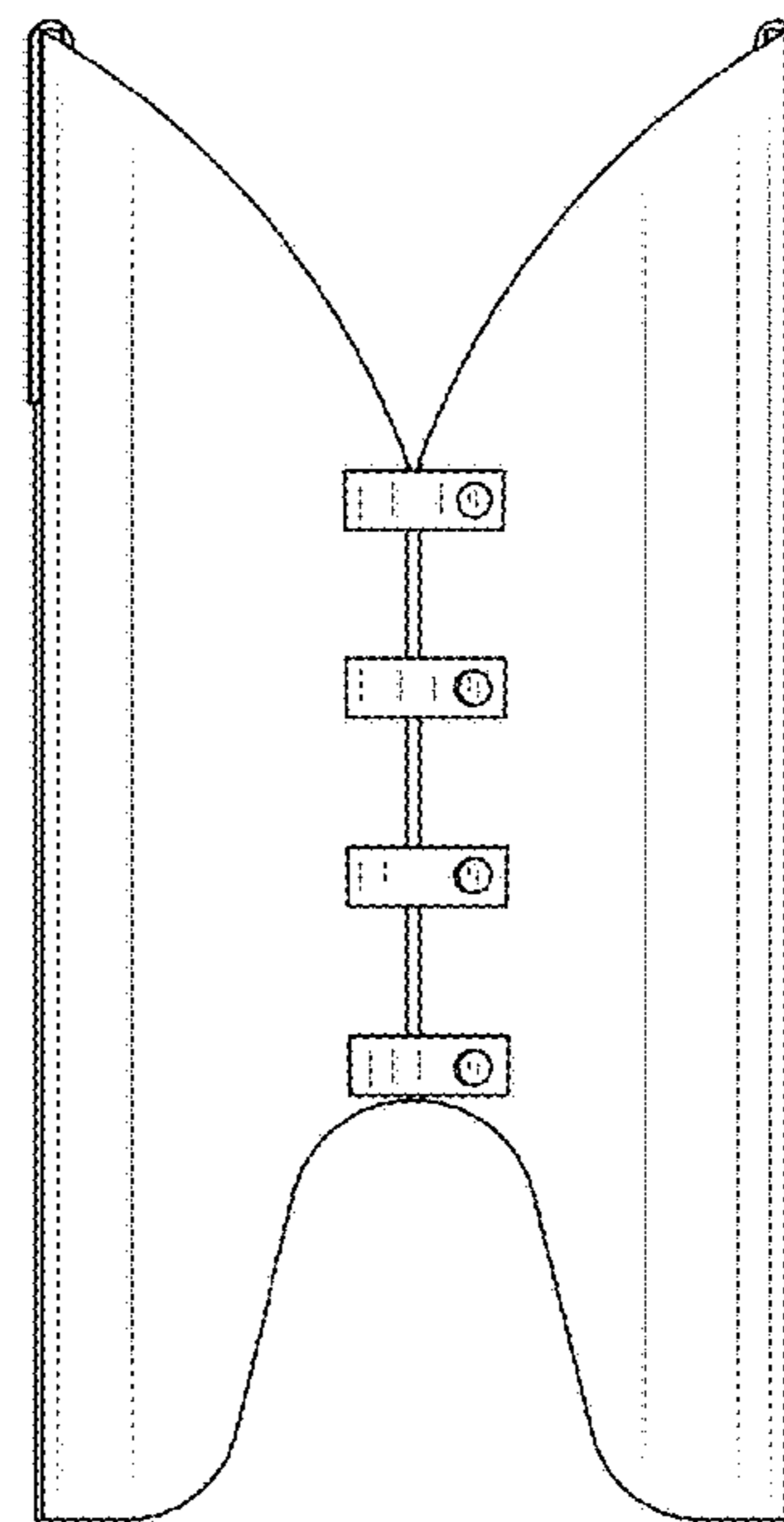


FIG. 5

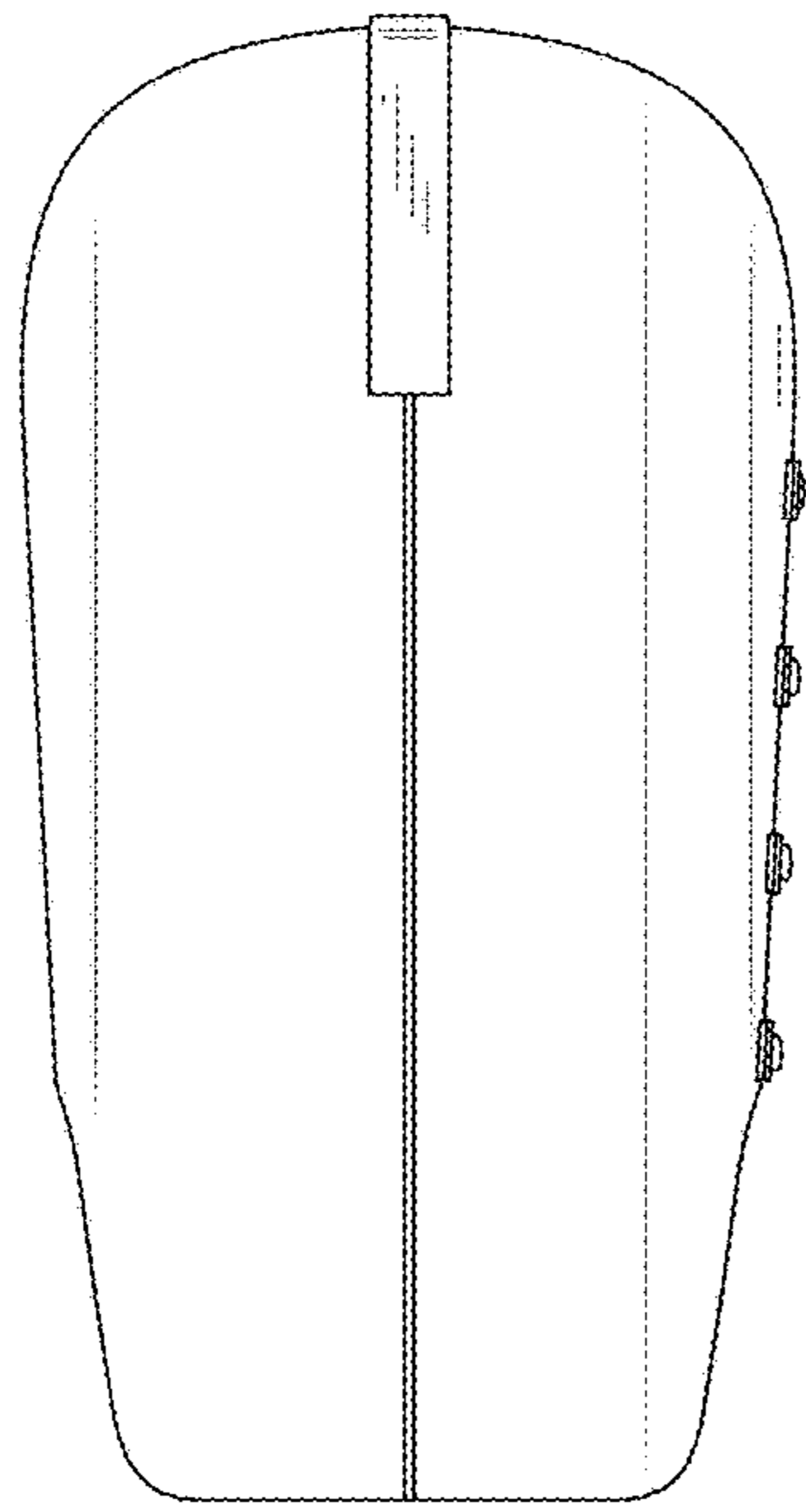


FIG. 6

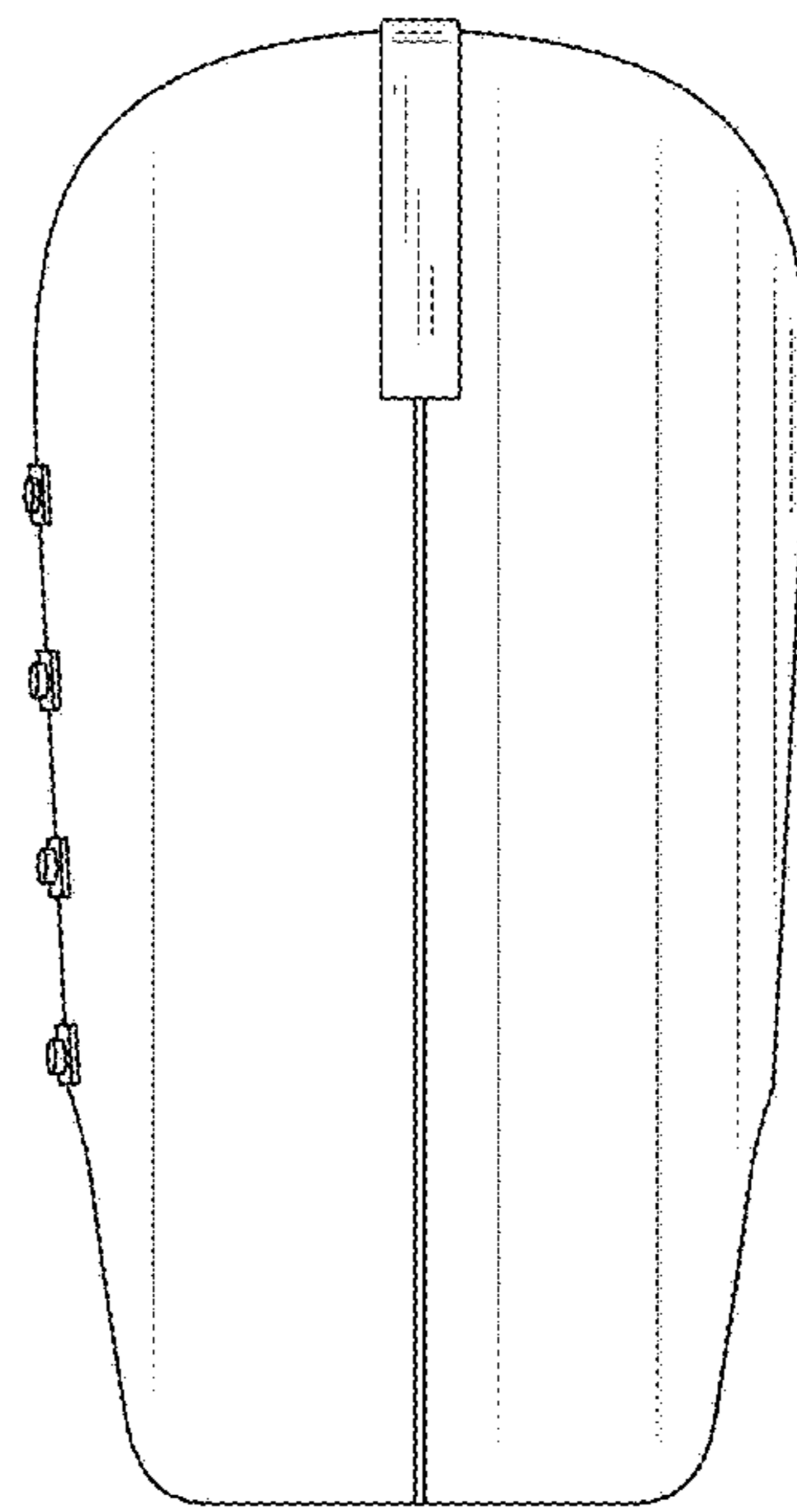


FIG. 7

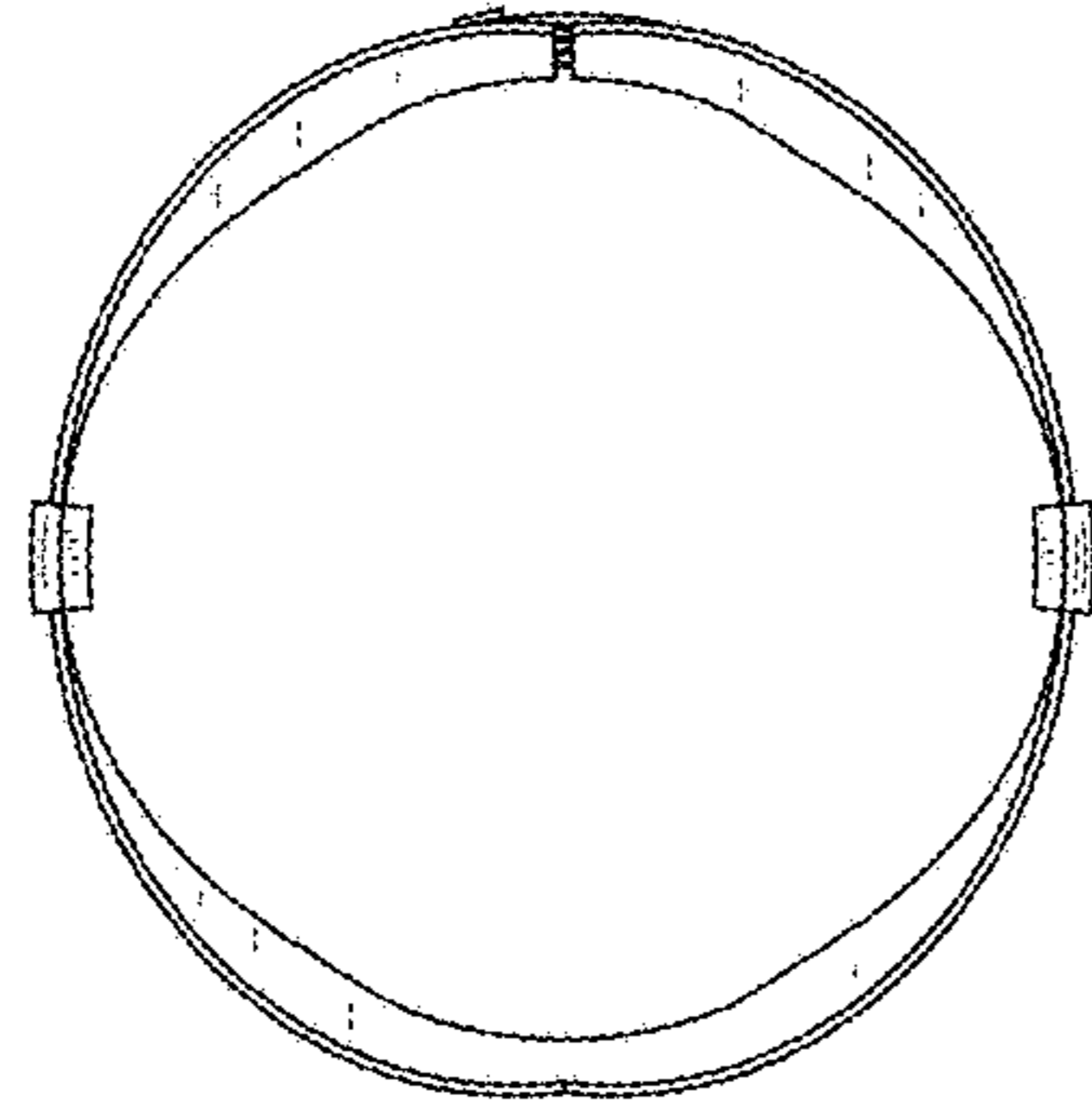


FIG. 8

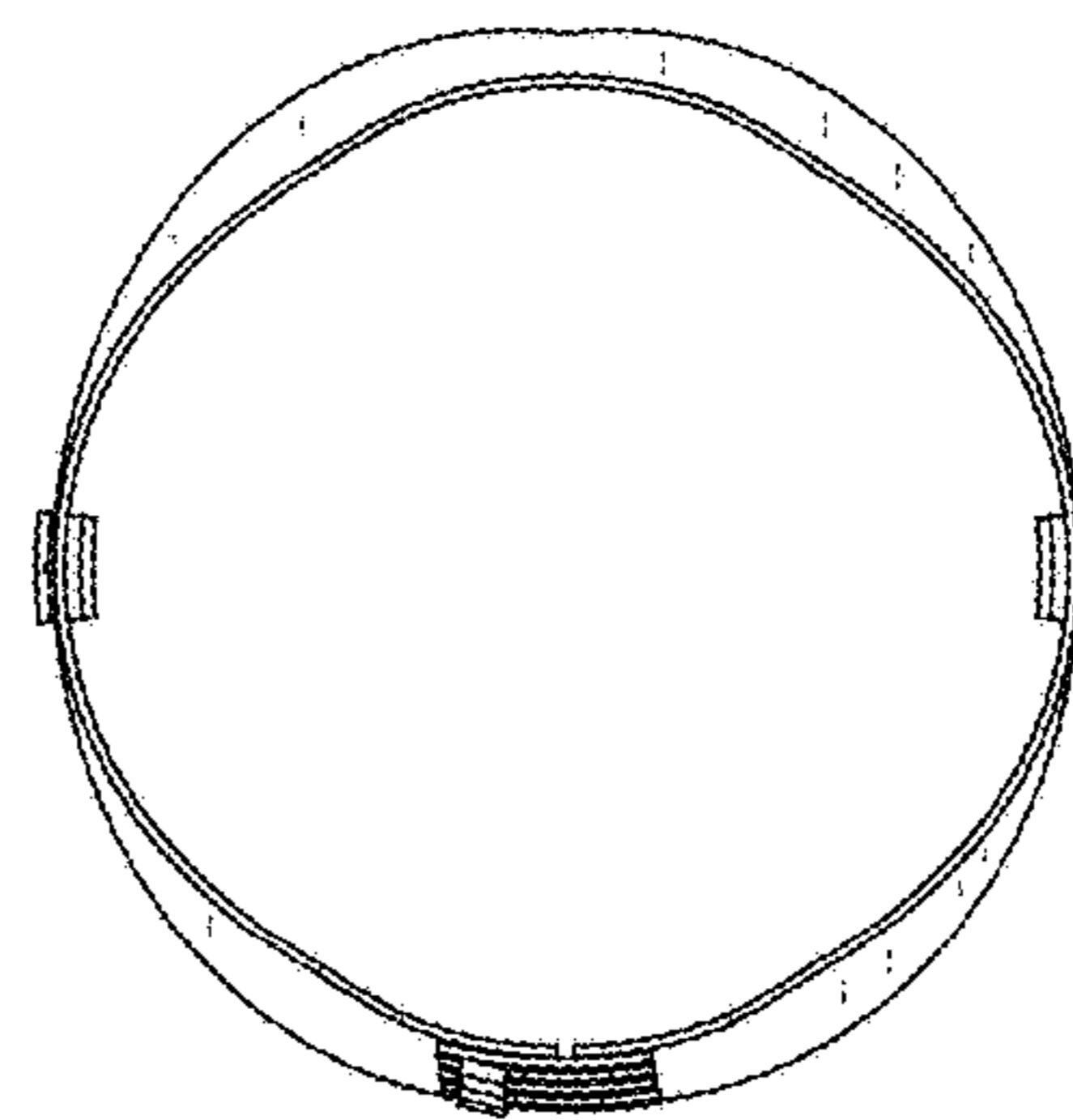


FIG. 9