



US00D850065S

(12) **United States Design Patent**
Isaack

(10) **Patent No.:** **US D850,065 S**

(45) **Date of Patent:** **** Jun. 4, 2019**

(54) **BOOT COVER**

(71) Applicant: **Matthew Isaack**, Monument, CO (US)

(72) Inventor: **Matthew Isaack**, Monument, CO (US)

(73) Assignee: **BOOT QUARTERS, LLC**,
Mooreville, NC (US)

(**) Term: **15 Years**

(21) Appl. No.: **29/616,011**

(22) Filed: **Sep. 1, 2017**

(51) **LOC (11) Cl.** **02-02**

(52) **U.S. Cl.**
USPC **D2/946; D2/909**

(58) **Field of Classification Search**
USPC D2/896, 901, 902, 907-909, 912,
D2/943-946, 962, 969, 970, 972-974,
D2/976, 978
CPC .. A41D 17/00; A43B 5/10; A43B 5/06; A43C
1/00; A43C 11/00; A43C 19/00
See application file for complete search history.

1,472,519 A * 10/1923 Gingrich A43C 11/20
24/712.7

1,607,256 A * 11/1926 Friedenthal A41D 17/00
36/2 R

1,708,144 A * 4/1929 Martin A41D 17/00
2/61

1,783,832 A * 12/1930 Ellis A41D 17/02
36/2 R

2,262,564 A * 11/1941 Strother A41D 17/00
36/2 R

2,344,415 A * 3/1944 Ryan A41D 17/00
36/2 R

2,426,668 A * 9/1947 Carrozza A41D 17/00
36/2 R

2,532,024 A * 11/1950 Hoffman A41D 17/00
36/2 R

(Continued)

Primary Examiner — Kevin K Rudzinski

Assistant Examiner — Clare Ann Gannon

(74) *Attorney, Agent, or Firm* — Martensen IP

(57) **CLAIM**

The ornamental design for a boot cover, as shown and described.

DESCRIPTION

The present application is related to commonly assigned U.S. patent applications Ser. Nos. 29/616,009, 29/616,018, 29/616,023 and 29/616,027, all filed Sep. 1, 2017.

FIG. 1 is a front right perspective view of a boot cover showing my new design, with an environmental boot;

FIG. 2 is a front elevational view thereof.

FIG. 3 is a rear elevational view thereof.

FIG. 4 is a right elevational view thereof.

FIG. 5 is a left elevational view thereof.

FIG. 6 is a top plan view thereof; and,

FIG. 7 is a bottom plan view thereof.

The broken lines depicting a boot represent environment that forms no part of the claimed design.

1 Claim, 4 Drawing Sheets

(56) **References Cited**

U.S. PATENT DOCUMENTS

42,157 A * 4/1864 Bedford A41D 17/00
36/2 R

562,784 A * 6/1896 Fisher A41D 17/00
36/2 R

1,159,648 A * 11/1915 Champ A43C 3/00
24/714.4

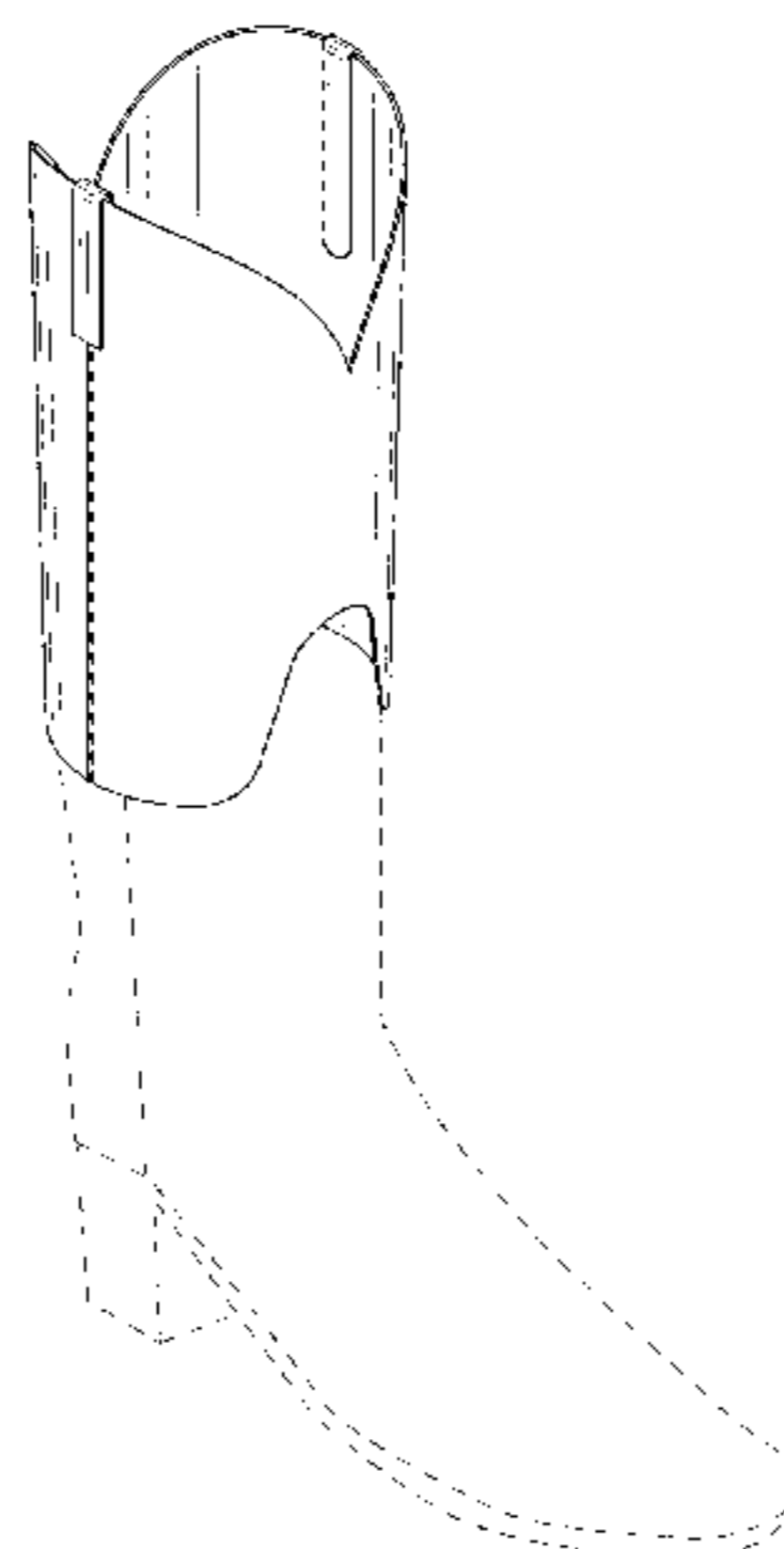
D49,604 S * 9/1916 Gentile 36/50.1

1,258,052 A * 3/1918 Stall A61F 13/08
473/214

1,272,386 A * 7/1918 Cutler A41D 17/00
36/2 R

1,273,586 A * 7/1918 Cook A41D 17/00
36/2 R

1,286,198 A * 12/1918 Ascheim A41D 17/00
36/2 R



(56)

References Cited

U.S. PATENT DOCUMENTS

D164,667 S *	10/1951	Bingham	D2/912	D503,034 S *	3/2005	Choi	D2/946
2,704,898 A *	3/1955	Sleyman	A41D 3/06	D505,777 S *	6/2005	Dunlap	A41D 17/00
				36/2 R					D2/901
D190,718 S *	6/1961	Cohn	D2/897	D546,529 S	7/2007	Myskiw		
3,083,373 A *	4/1963	Rizzotto	A41D 17/00	D598,642 S *	8/2009	Plumert	A41D 17/00
				2/227					D2/946
3,955,063 A *	5/1976	Berger	A41D 17/00	D643,598 S *	8/2011	Ringholz	A41D 17/00
				219/211					D2/901
D240,972 S *	8/1976	Adams	D2/912	D651,380 S *	1/2012	Wilcots	D2/901
D268,625 S	4/1983	Vise			D667,209 S *	9/2012	Castellon	D2/912
D268,709 S	4/1983	Vise			8,683,715 B1 *	4/2014	Cantrell	A41D 17/00
D278,850 S *	5/1985	Michaeli	D2/969					36/136
D282,501 S *	2/1986	Lama	D2/912	D707,938 S *	7/2014	Spring	D2/969
4,586,272 A *	5/1986	Forster	A41D 17/00	D718,022 S *	11/2014	Shelton	D2/901
				36/2 A	D734,595 S *	7/2015	Brown	A41D 17/02
RE32,506 E *	9/1987	Hightower, Jr.	A41D 17/00					D2/901
				2/2.5	D740,524 S *	10/2015	Brown	D2/901
4,896,437 A *	1/1990	Johnson	A41D 17/00	9,210,959 B1 *	12/2015	Jankowski	A43B 3/16
				2/22	9,254,015 B2 *	2/2016	Nugent	A43B 3/20
4,964,176 A *	10/1990	Previdi	A41D 17/00	D778,550 S *	2/2017	Knutson	A43B 5/1691
				2/22					D2/909
5,031,247 A *	7/1991	Carter	A41D 13/0543	D790,208 S *	6/2017	Taylor	D2/909
				2/22	D802,893 S *	11/2017	Matfus	D2/909
5,170,503 A *	12/1992	Hightower, Jr.	A41D 17/02	D805,274 S *	12/2017	Maxie	D2/909
				2/22	2003/0097765 A1 *	5/2003	Chen	A43B 3/166
D348,139 S	6/1994	Mohr							36/2 R
D366,560 S *	1/1996	Reedy	D2/910	2012/0153582 A1 *	6/2012	Feddersen, Jr.	A43B 5/1691
D377,114 S *	1/1997	Crowley	A41D 17/00					280/11.221
				D2/912	2013/0133228 A1	5/2013	Nugent		
5,642,573 A *	7/1997	Brown	A41D 17/00	2013/0340294 A1 *	12/2013	Manning	A41D 17/02
				36/132					36/2 R
D396,740 S *	8/1998	Magliulo	A43B 3/16	2014/0041260 A1	2/2014	Jewell et al.		
				D2/901	2015/0250236 A1 *	9/2015	Garcia	A41D 13/0543
D447,861 S *	9/2001	Chaigne	D2/978					2/22
D450,176 S *	11/2001	Hall	D2/909	2016/0316851 A1	11/2016	Markin		
6,477,788 B1 *	11/2002	Chen	A43B 3/166	2018/0084850 A1 *	3/2018	Smith	A41D 17/00
				36/1.5					D2/909
D468,522 S *	1/2003	Wilson	D2/972	2018/0116313 A1 *	5/2018	James	A41D 17/00
									D2/897

* cited by examiner

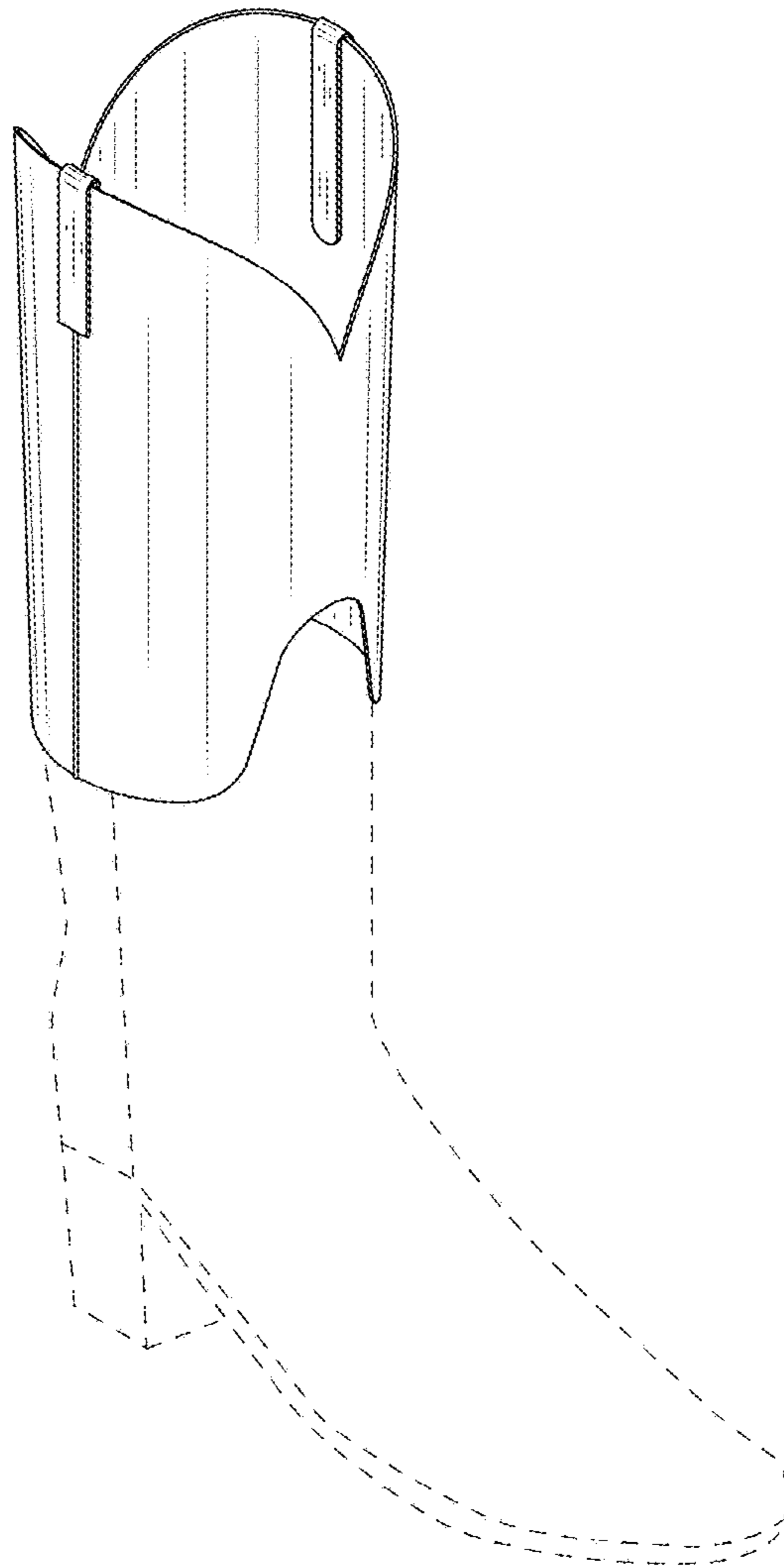


FIG.1

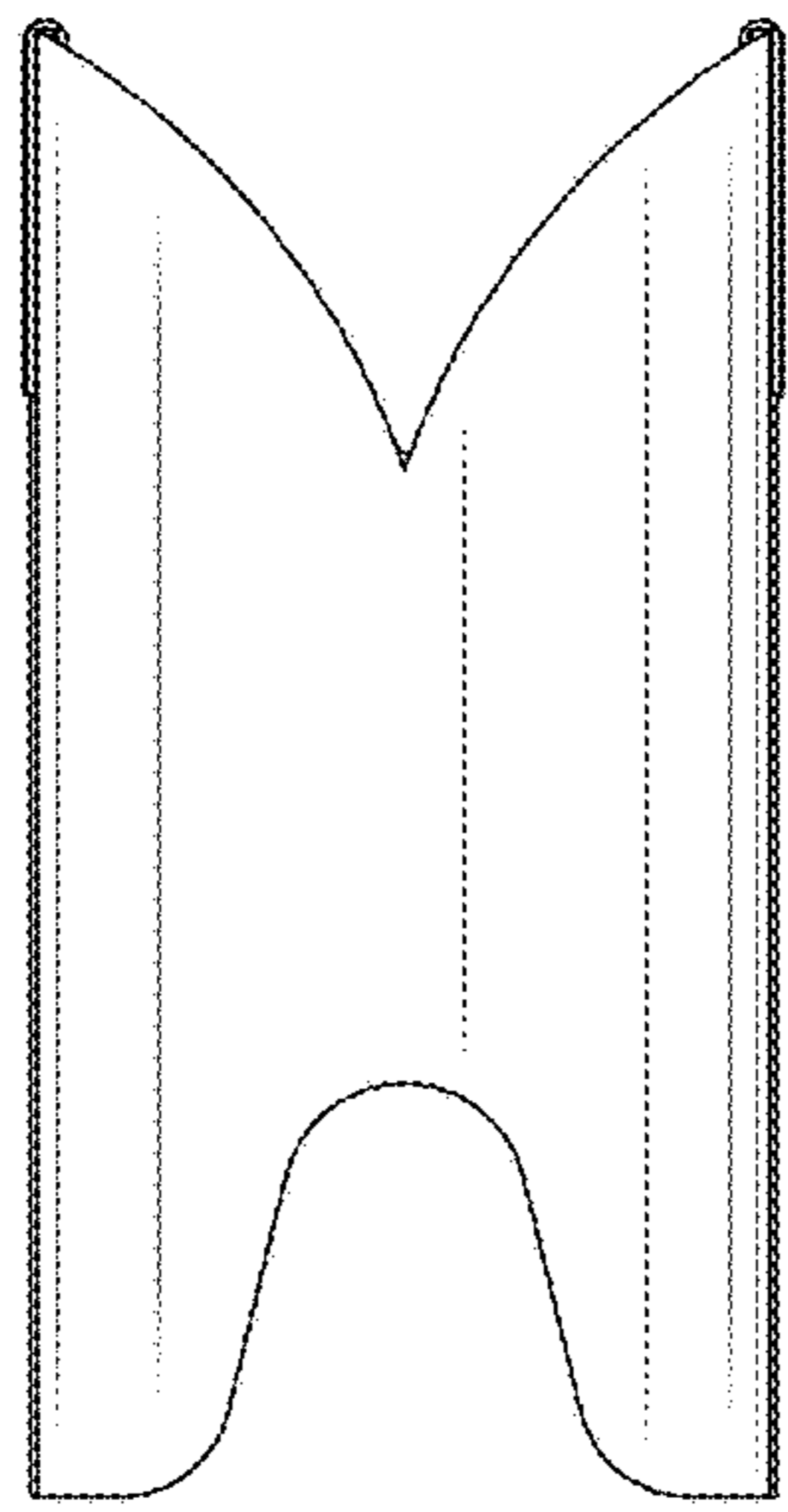


FIG. 2

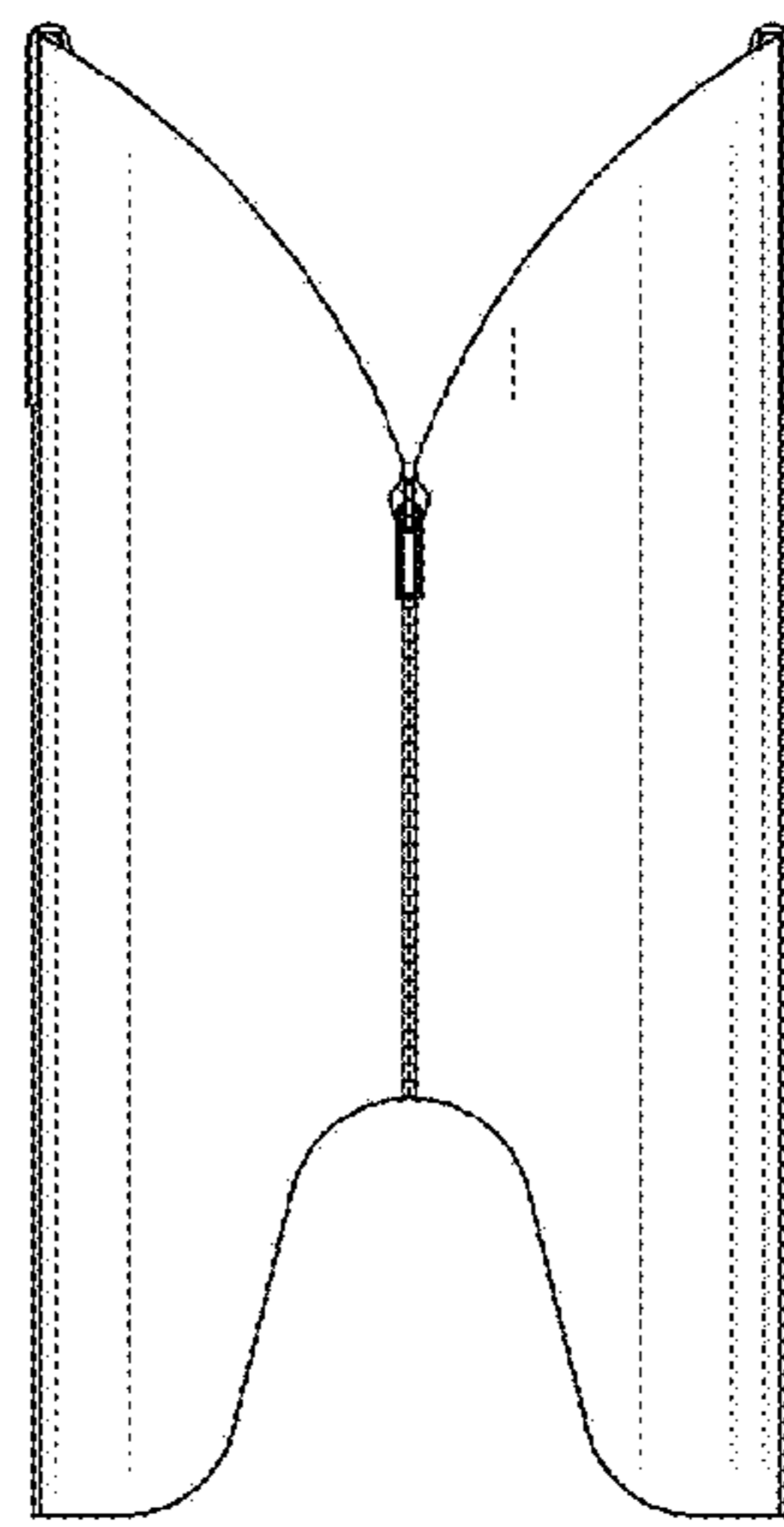


FIG. 3

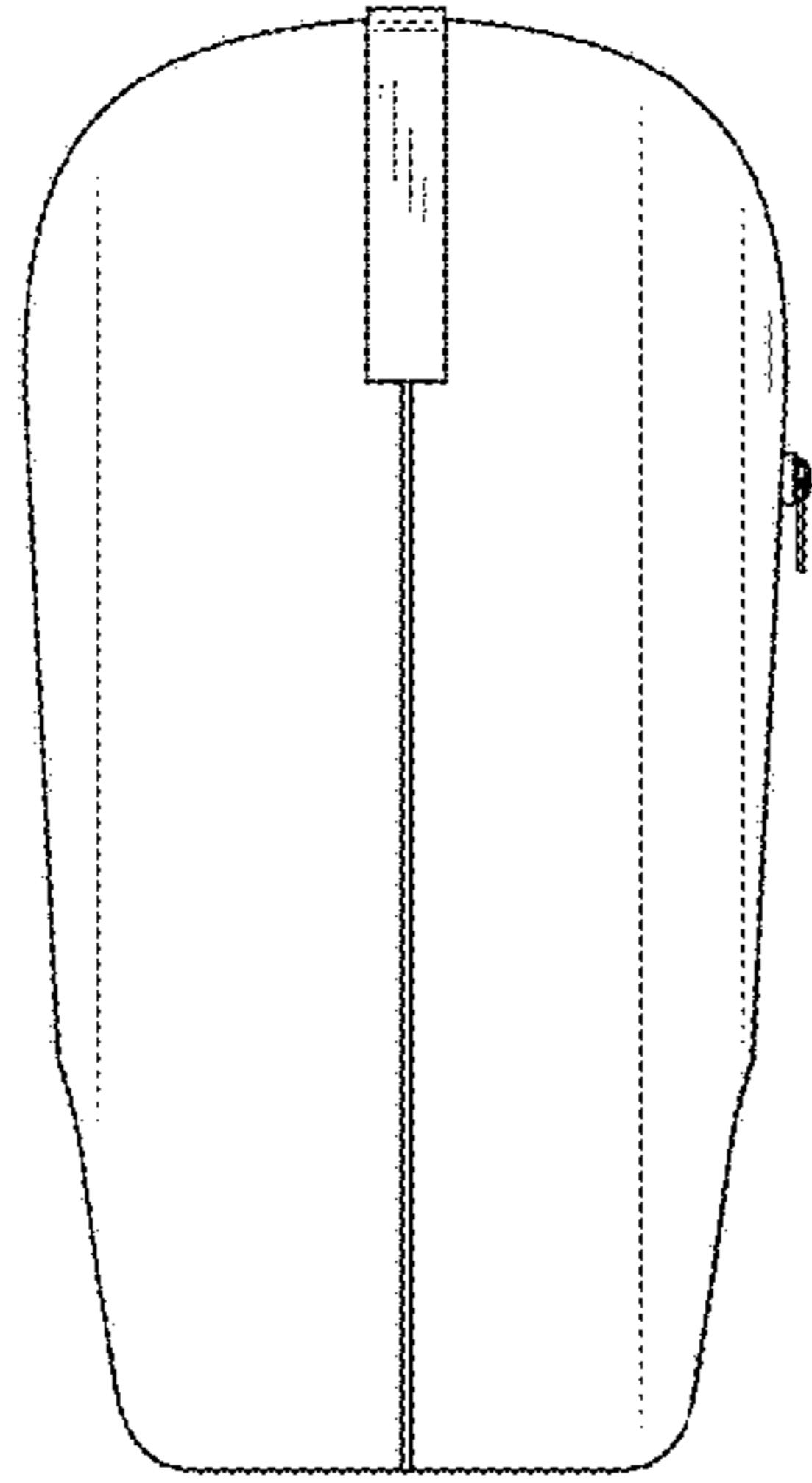


FIG.4

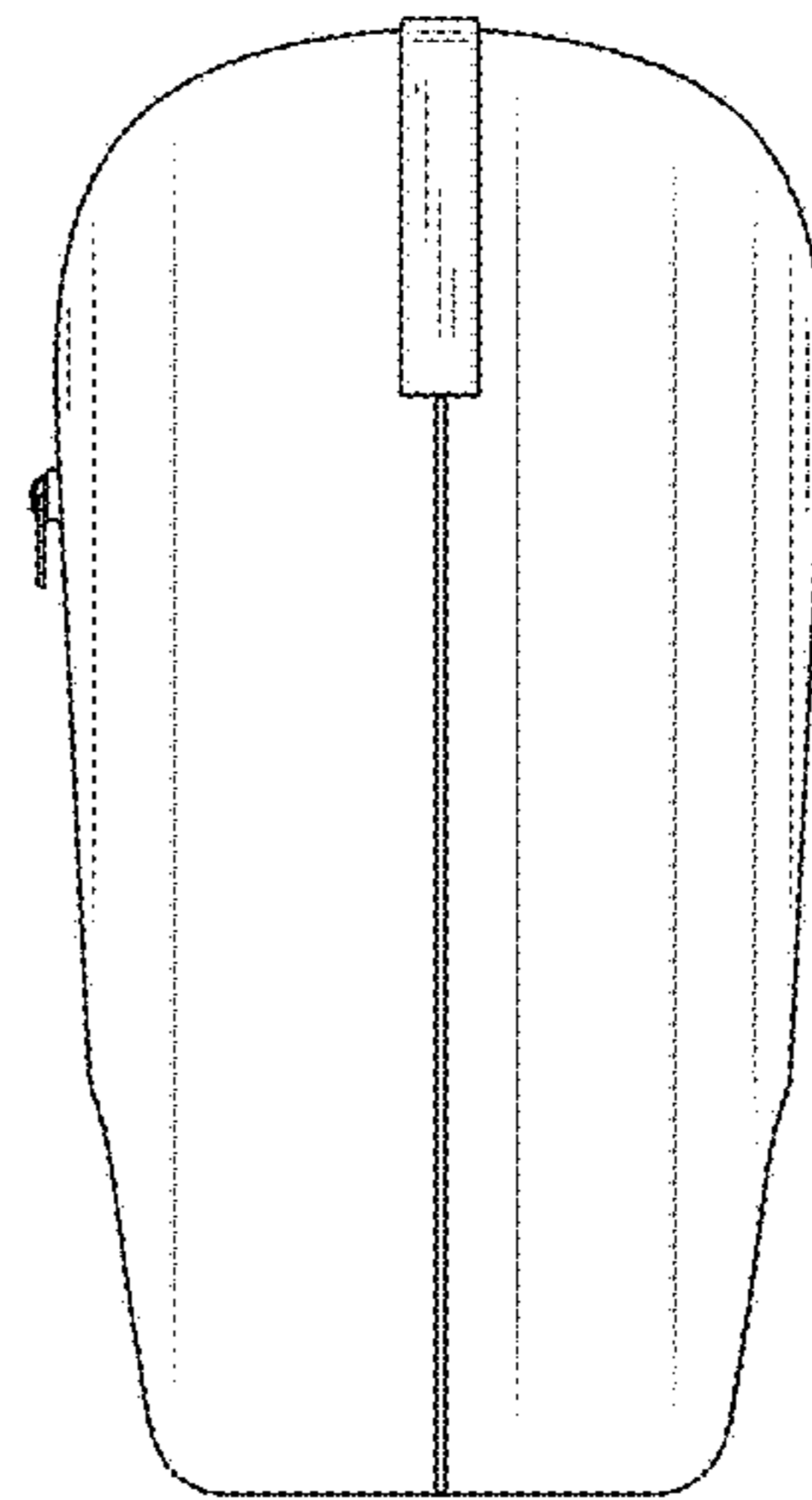


FIG.5

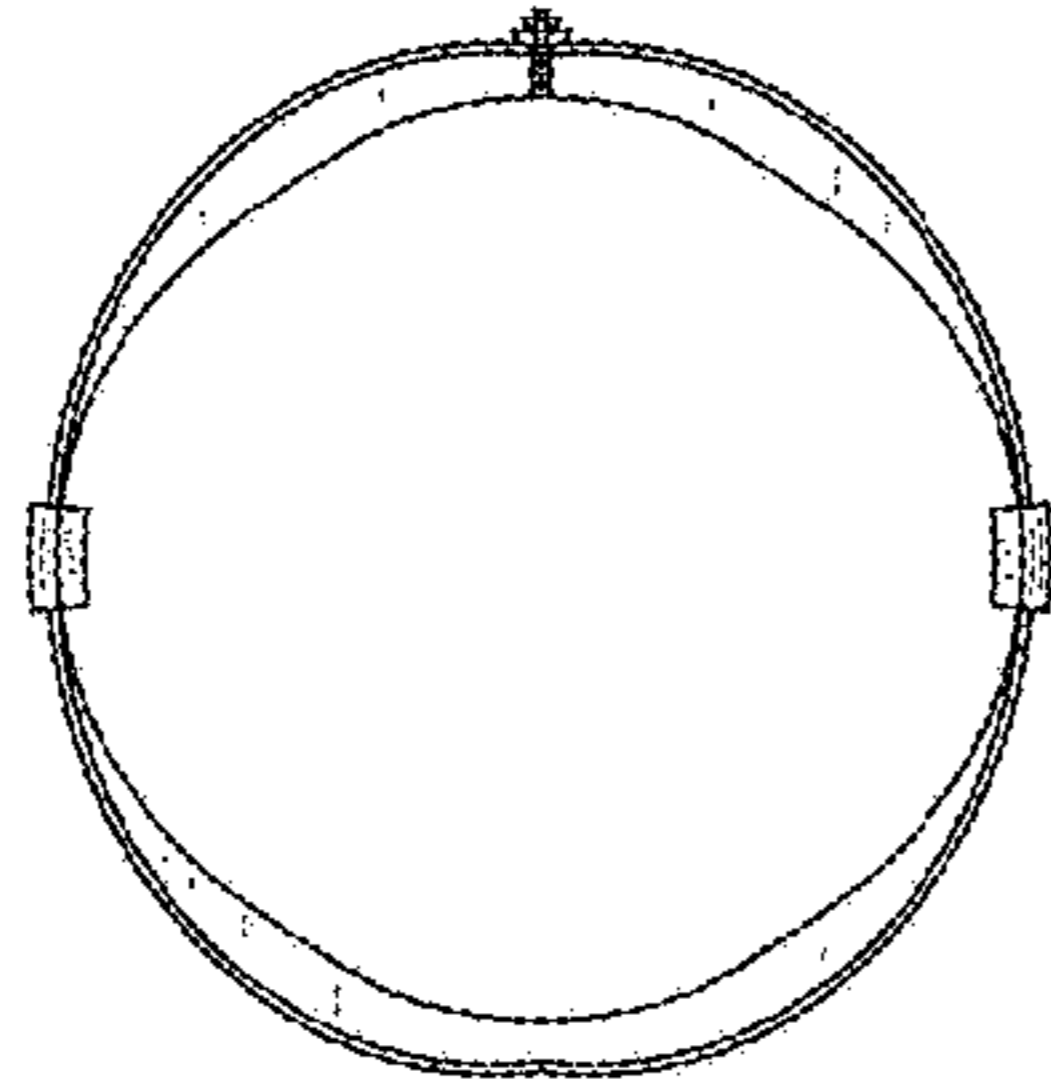


FIG. 6

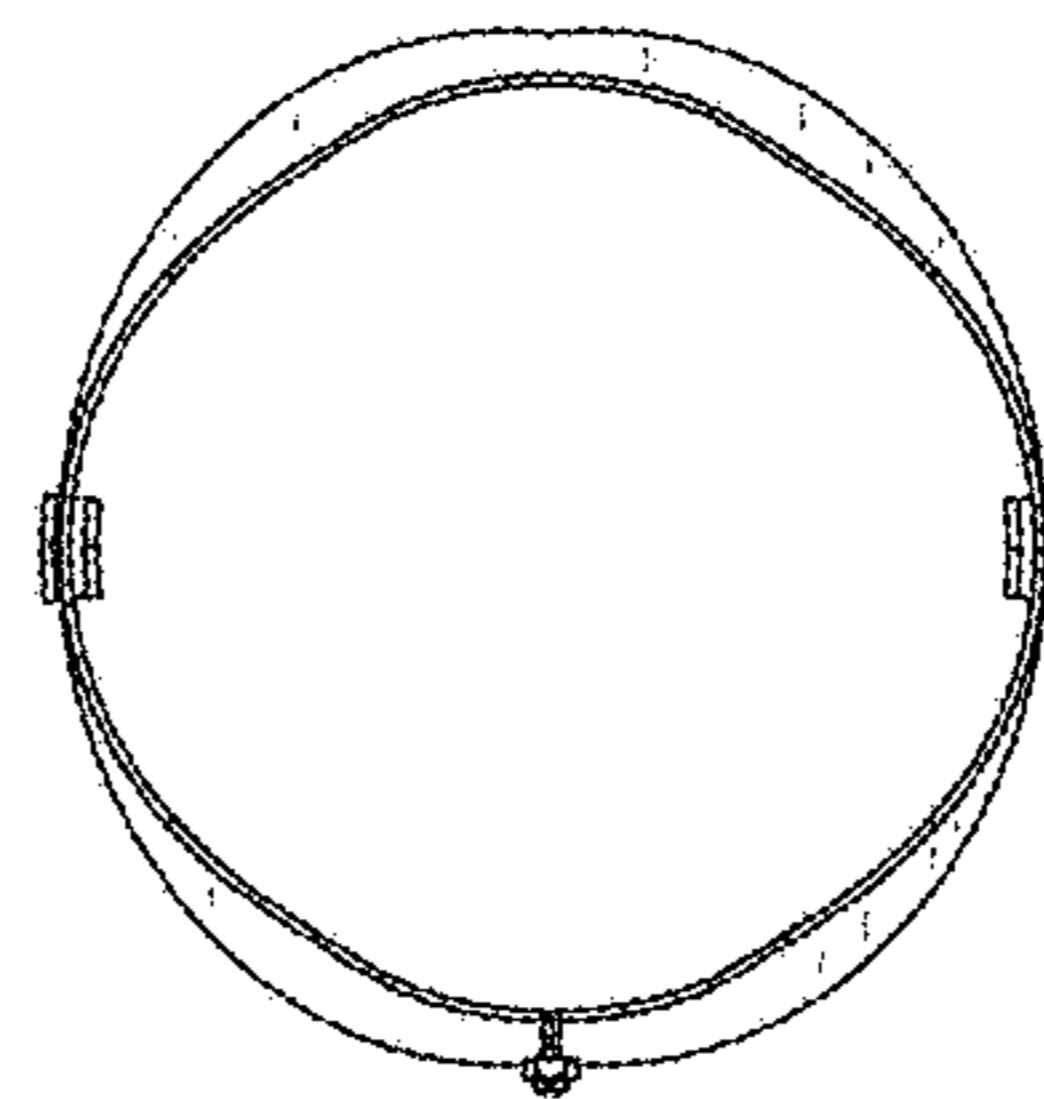


FIG. 7