



US00D850063S

(12) **United States Design Patent**  
**Holmes**

(10) **Patent No.:** **US D850,063 S**

(45) **Date of Patent:** **\*\* Jun. 4, 2019**

- (54) **WAISTBAND FOR A GARMENT**
- (71) Applicant: **LULULEMON ATHLETICA CANADA INC., Vancouver (CA)**
- (72) Inventor: **Brenda Holmes, Vancouver (CA)**
- (73) Assignee: **LULULEMON ATHLETICA CANADA INC., Vancouver (CA)**
- (\*\*) Term: **15 Years**
- (21) Appl. No.: **29/642,499**
- (22) Filed: **Mar. 29, 2018**
- (51) **LOC (11) Cl.** ..... **02-02**
- (52) **U.S. Cl.**  
USPC ..... **D2/853**
- (58) **Field of Classification Search**  
USPC ..... D2/742, 853, 731, 738, 835; 2/76, 220  
CPC ... A41D 1/06; A41D 1/12; A41D 1/14; A41D 1/067; A41D 1/086; A41D 1/082  
See application file for complete search history.

(56) **References Cited**

**U.S. PATENT DOCUMENTS**

D661,871 S *	6/2012	Savage	.....	D2/742
D687,214 S *	8/2013	Farina	.....	D2/742
D754,948 S *	5/2016	Cockram	.....	D2/853
RE46,331 E *	3/2017	Savage	.....	D2/742
D793,665 S *	8/2017	Perez	.....	D2/742
D812,348 S *	3/2018	McManus	.....	D2/742
D816,303 S *	5/2018	Diakonov	.....	D2/857
10,010,158 B2 *	7/2018	Do	.....	A45F 3/14
D825,144 S *	8/2018	Lorett	.....	D2/742
D835,885 S *	12/2018	Park	.....	D2/738

- 2013/0048687 A1\* 2/2013 Do ..... A45F 3/14  
224/222
- 2015/0007379 A1\* 1/2015 Cockram ..... A41D 1/06  
2/236
- 2018/0206567 A1\* 7/2018 Diakonov ..... A41D 27/205

\* cited by examiner

*Primary Examiner* — Robin V Webster

*Assistant Examiner* — J. Thorn, Sr.

(74) *Attorney, Agent, or Firm* — Conneely PC; Joseph Conneely

(57) **CLAIM**

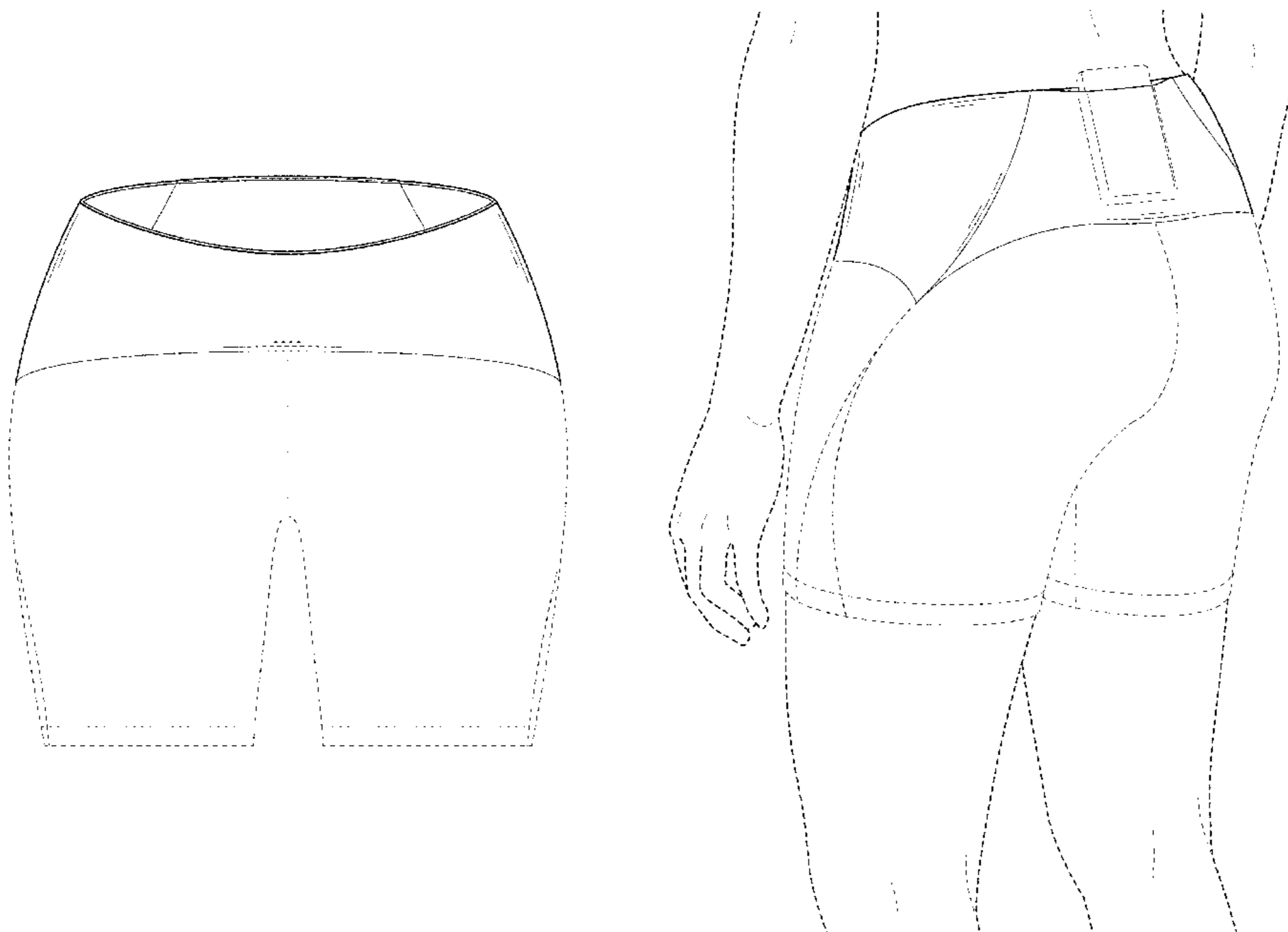
The ornamental design for a waistband for a garment, as shown and described.

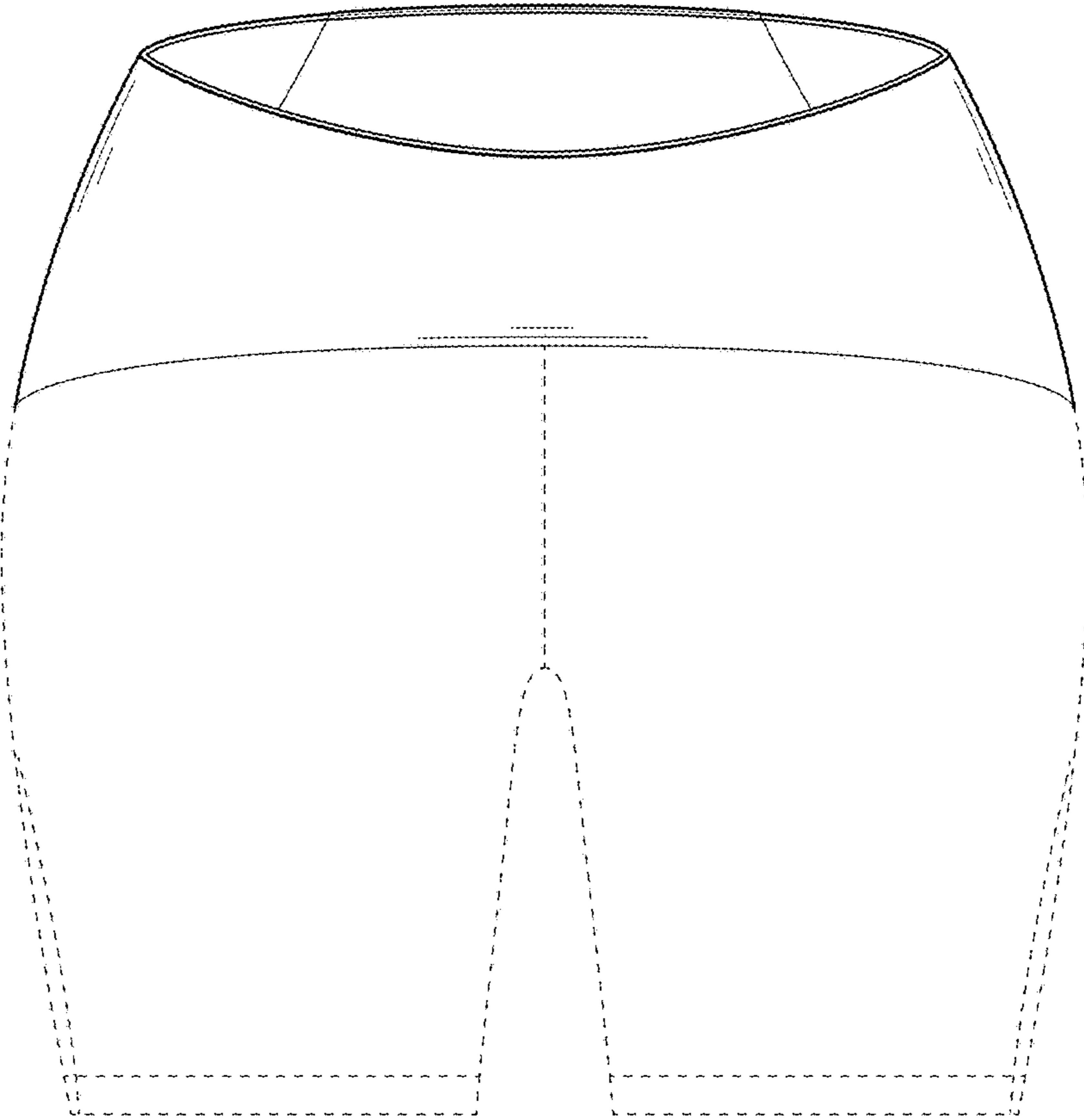
**DESCRIPTION**

FIG. 1 is a front view of a waistband for a garment according to the design;  
 FIG. 2 is a rear view thereof;  
 FIG. 3 is a left side view thereof;  
 FIG. 4 is a right side view thereof;  
 FIG. 5 is a front perspective view thereof;  
 FIG. 6 is a rear perspective view thereof;  
 FIG. 7 is a rear view thereof shown in an environment of use;  
 FIG. 8 is a top view thereof with the pocket thereof shown in a closed position; and,  
 FIG. 9 is a top view thereof with the pocket thereof shown in an opened position.

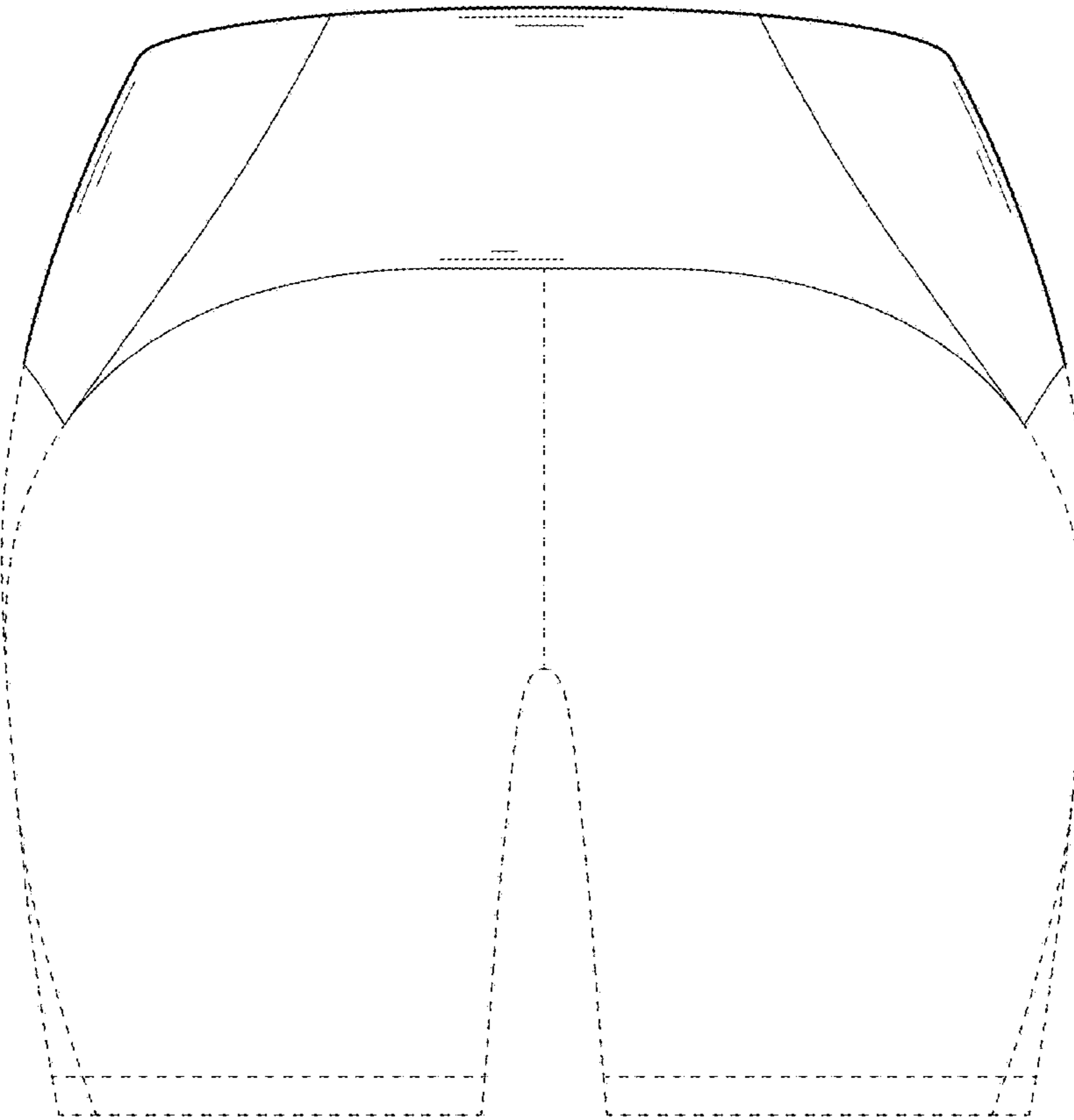
The portions of the garment shown in broken lines in FIGS. 1-9 do not form part of the claimed design. The broken line showing of the arms, torso, legs, and the item in the pocket of the waistband of the garment in FIG. 7 is for the purpose of illustrating portions of the environmental structure and forms no part of the claimed design.

**1 Claim, 9 Drawing Sheets**





**FIG. 1**



**FIG. 2**

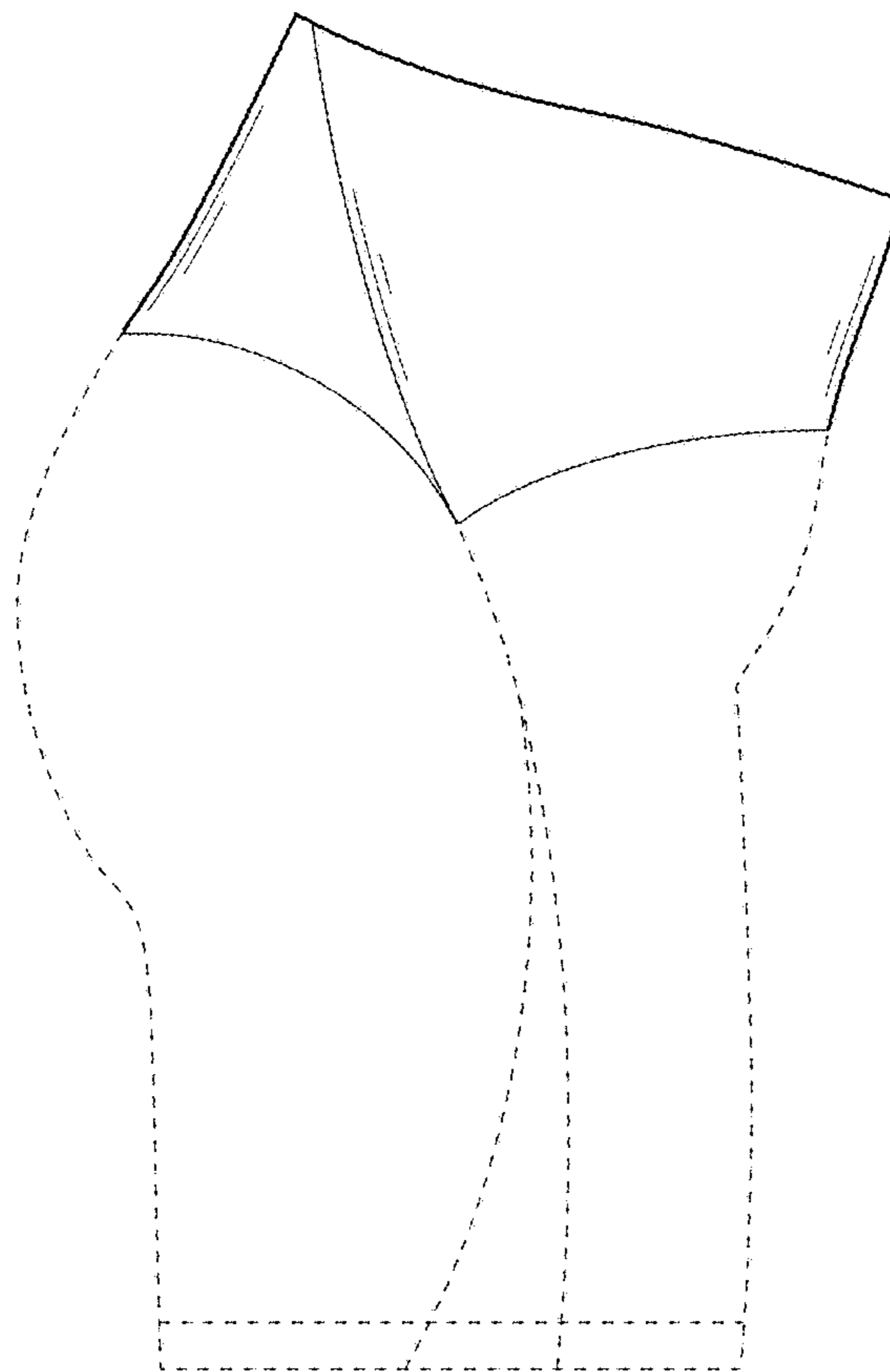
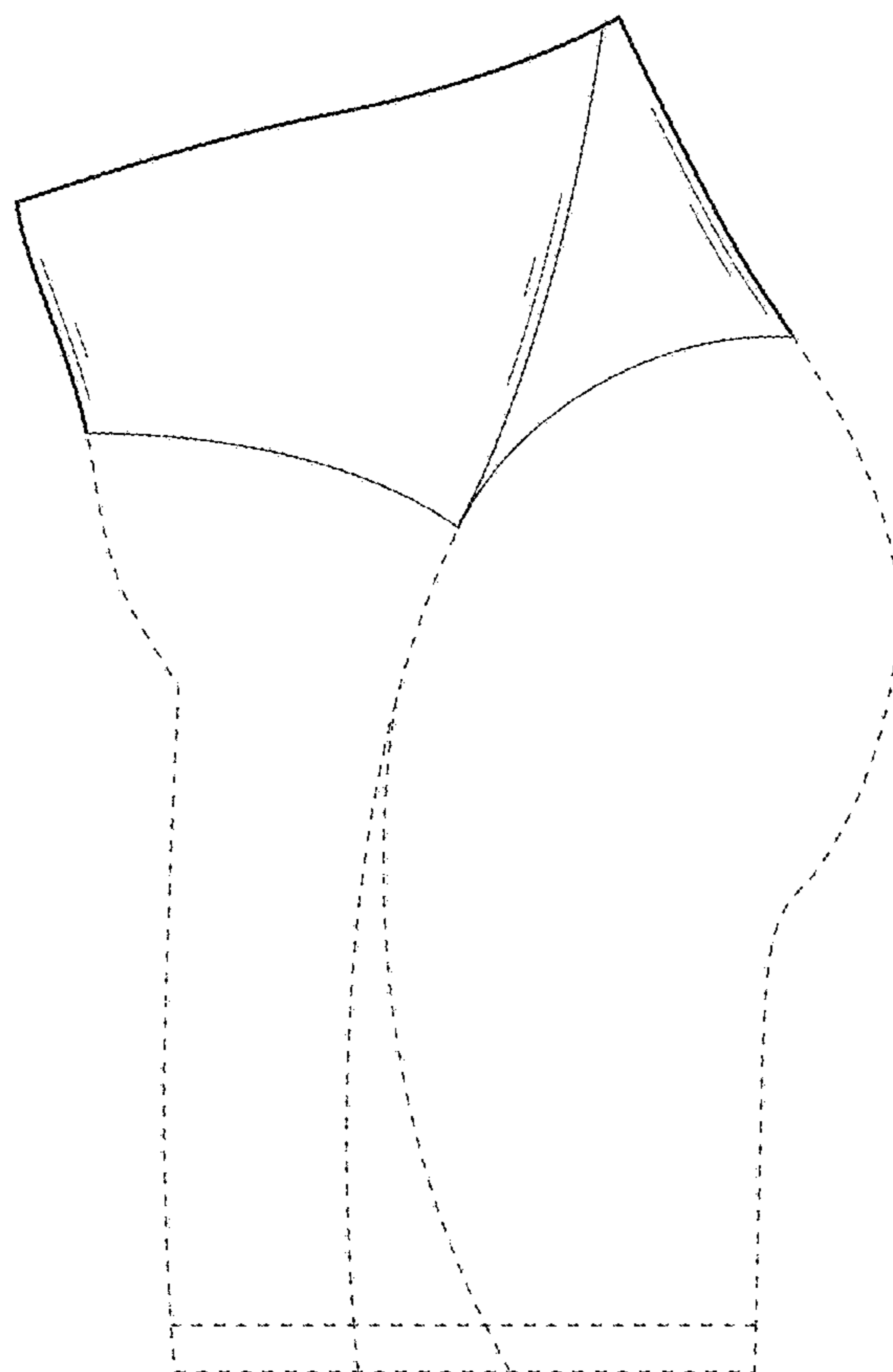
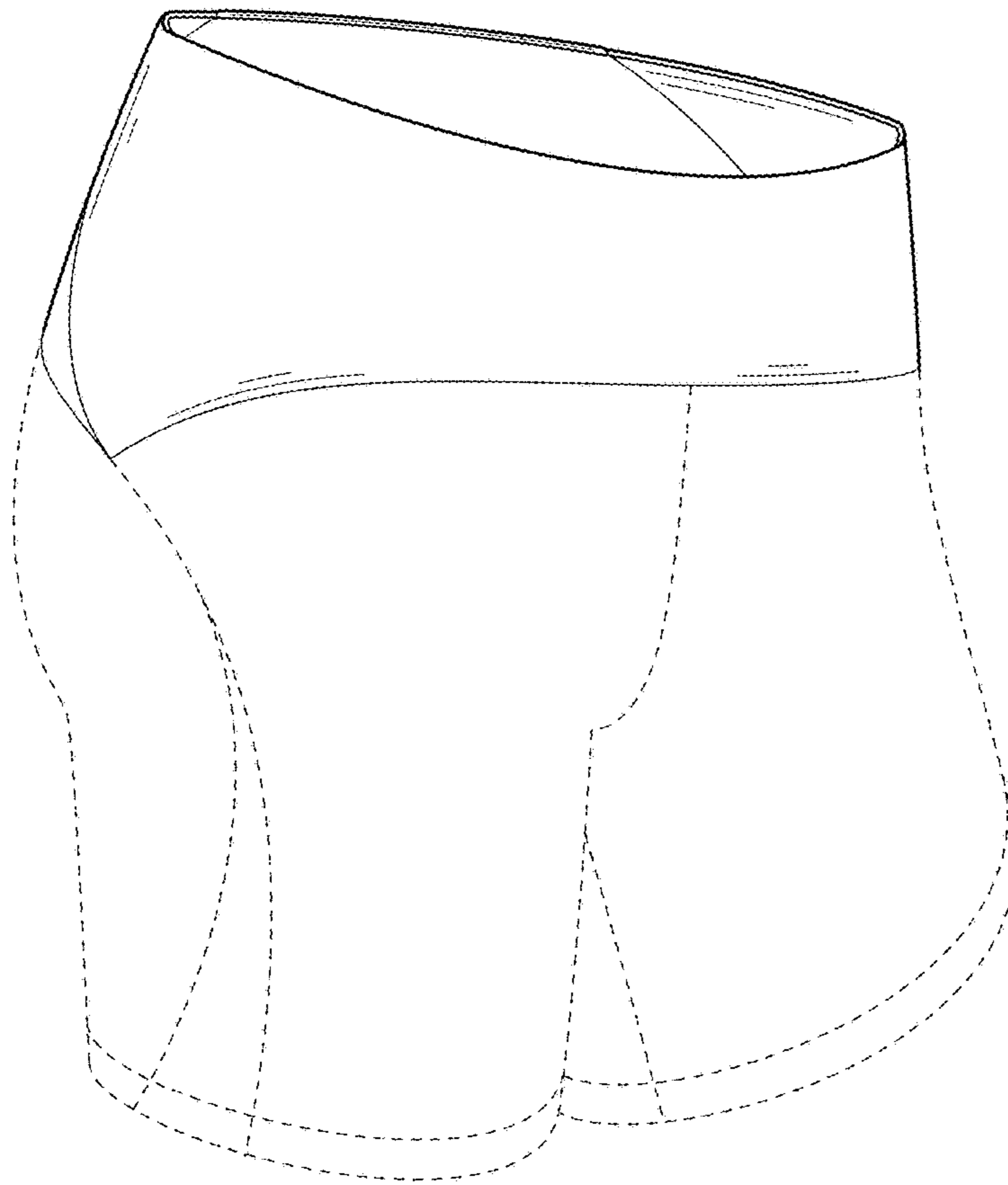


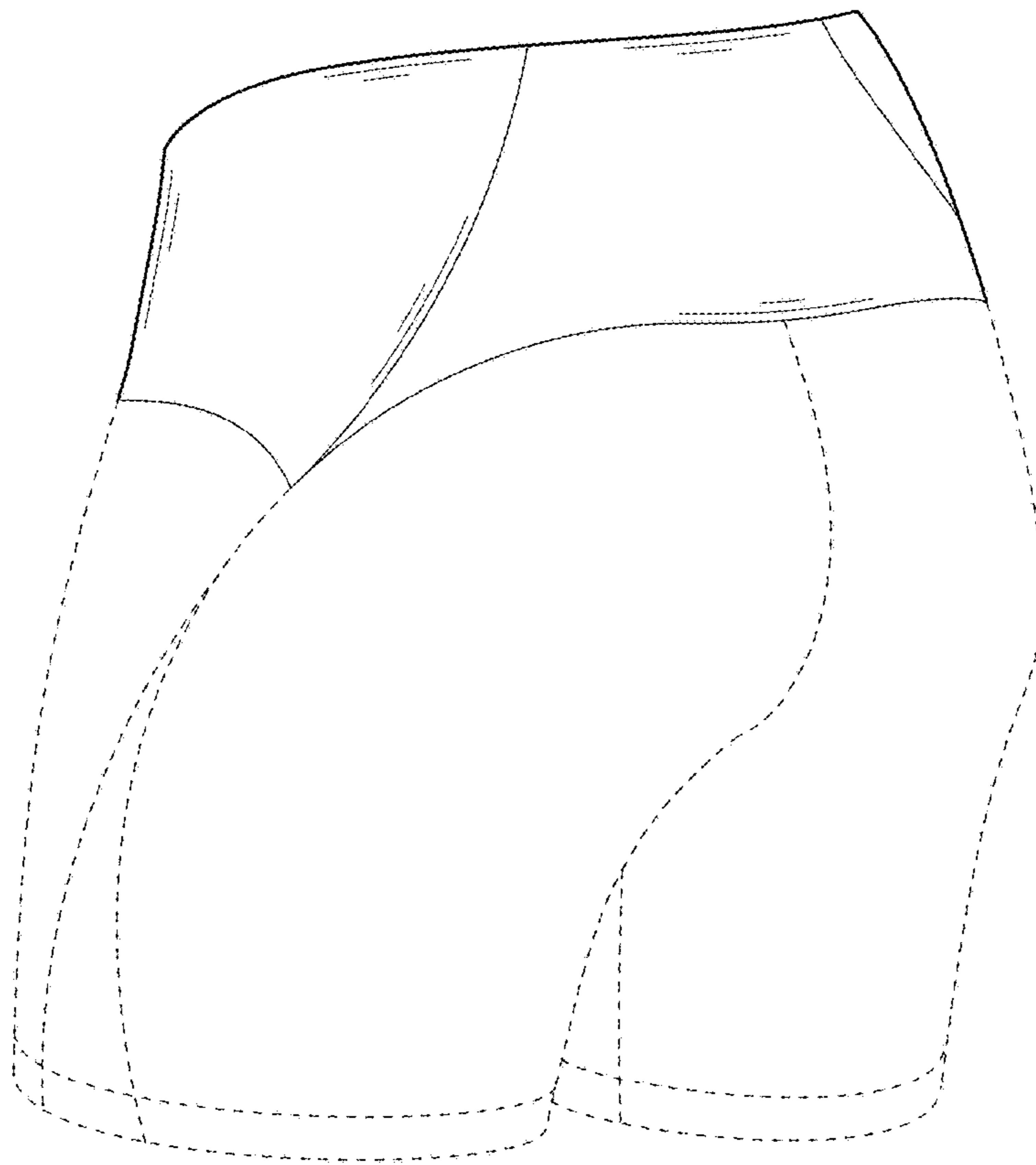
FIG. 3



**FIG. 4**



**FIG.5**



**FIG. 6**

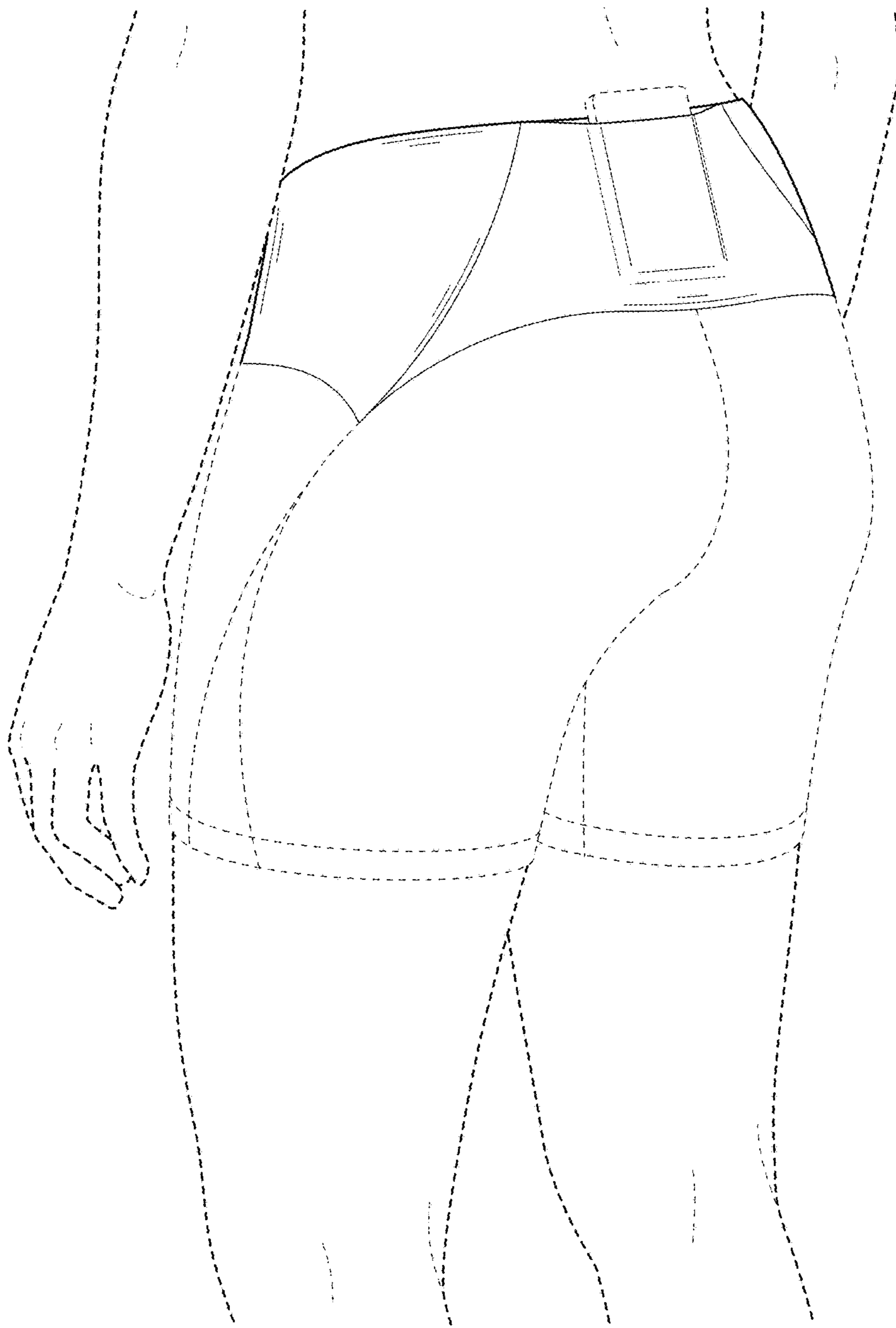
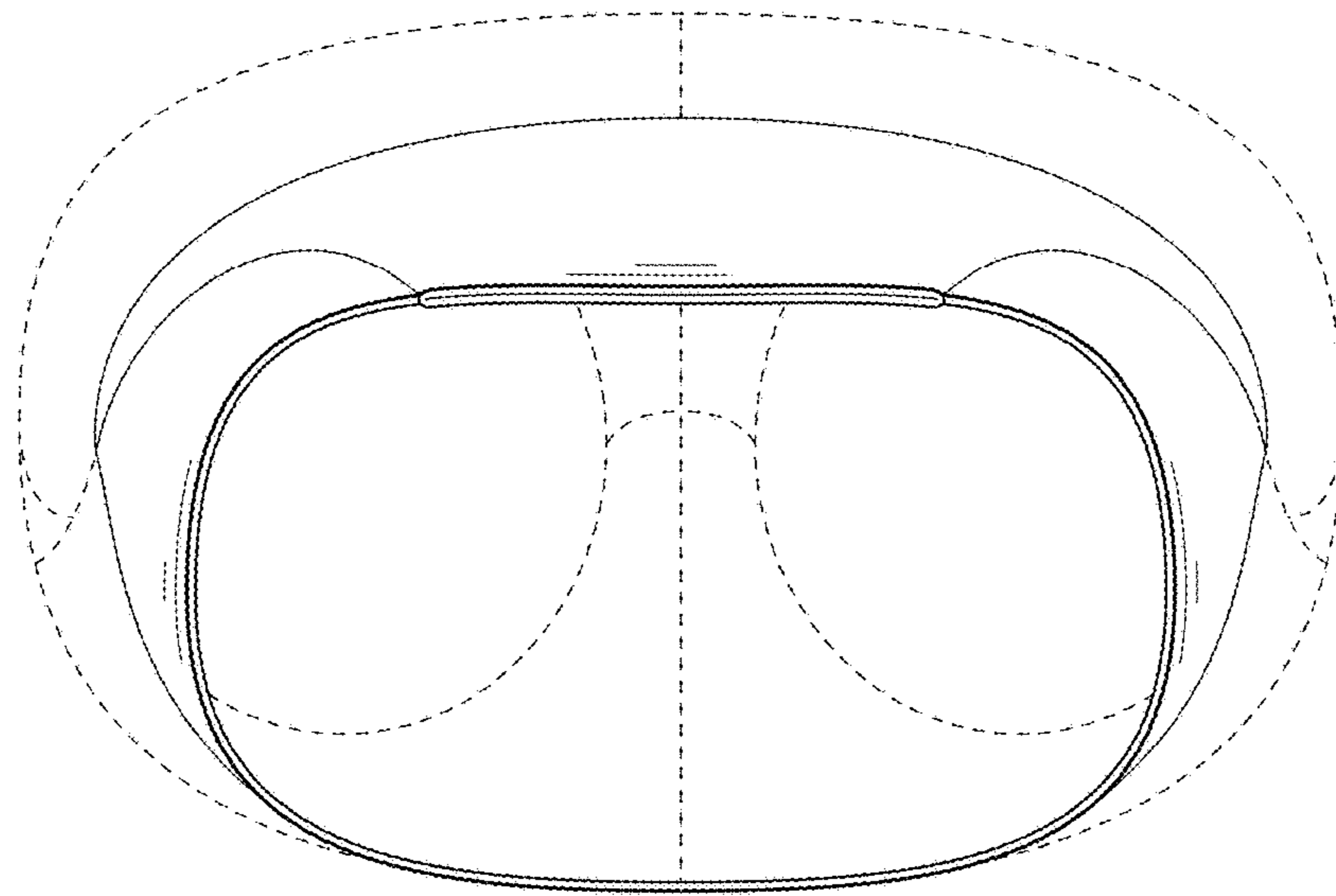
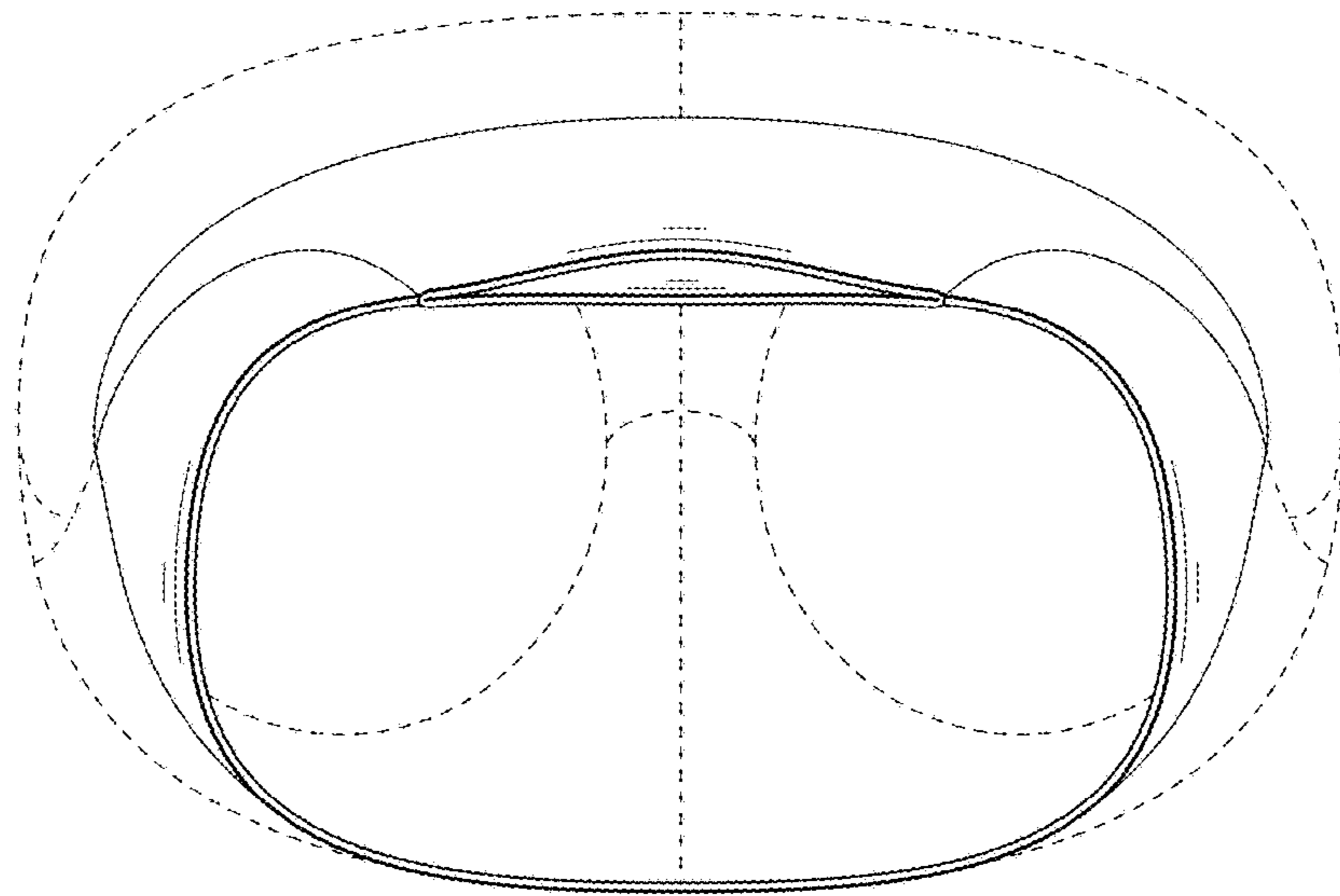


FIG. 7





**FIG. 8**



**FIG. 9**