

US00D850061S

(12) **United States Design Patent** (10) **Patent No.:** **US D850,061 S**  
**Kelly et al.** (45) **Date of Patent:** **\*\* Jun. 4, 2019**

(54) **WATER-PROOF GARMENT WITH ATTACHED SEAT**

D669,723 S \* 10/2012 Hindley ..... D6/601  
D722,421 S \* 2/2015 Jackson ..... D2/864  
D802,886 S \* 11/2017 Salce, Jr. .... D2/831

(71) Applicants: **James H. Kelly**, Cleveland, TX (US);  
**Aaron J. Pichon**, Houston, TX (US)

\* cited by examiner

(72) Inventors: **James H. Kelly**, Cleveland, TX (US);  
**Aaron J. Pichon**, Houston, TX (US)

*Primary Examiner* — Kevin K Rudzinski  
(74) *Attorney, Agent, or Firm* — D'Ambrosio & Menon,  
PLLC; Usha Menon

(73) Assignee: **KellyCraft Innovations, LLC**,  
Cleveland, TX (US)

(\*\*) Term: **15 Years**

(21) Appl. No.: **29/579,037**

(22) Filed: **Sep. 27, 2016**

(51) **LOC (11) Cl.** ..... **02-02**

(52) **U.S. Cl.**  
USPC ..... **D2/825**

(58) **Field of Classification Search**  
USPC ..... D2/826, 825, 861, 823  
CPC ..... A41D 3/08; A41D 13/05  
See application file for complete search history.

(56) **References Cited**

U.S. PATENT DOCUMENTS

4,060,852 A \* 12/1977 Meeks ..... A41D 15/04  
2/84  
4,370,755 A \* 2/1983 Crumby ..... A41D 3/08  
2/84  
5,664,258 A \* 9/1997 Harris ..... A41D 3/08  
2/69  
6,353,933 B1 \* 3/2002 Love ..... A41D 3/08  
2/84  
6,564,387 B1 \* 5/2003 Willoughby ..... A41D 13/0537  
2/69  
6,649,251 B1 \* 11/2003 Druecke ..... A41D 3/00  
428/198  
D541,011 S \* 4/2007 Day ..... D2/831  
D600,884 S \* 9/2009 Patton ..... D2/825

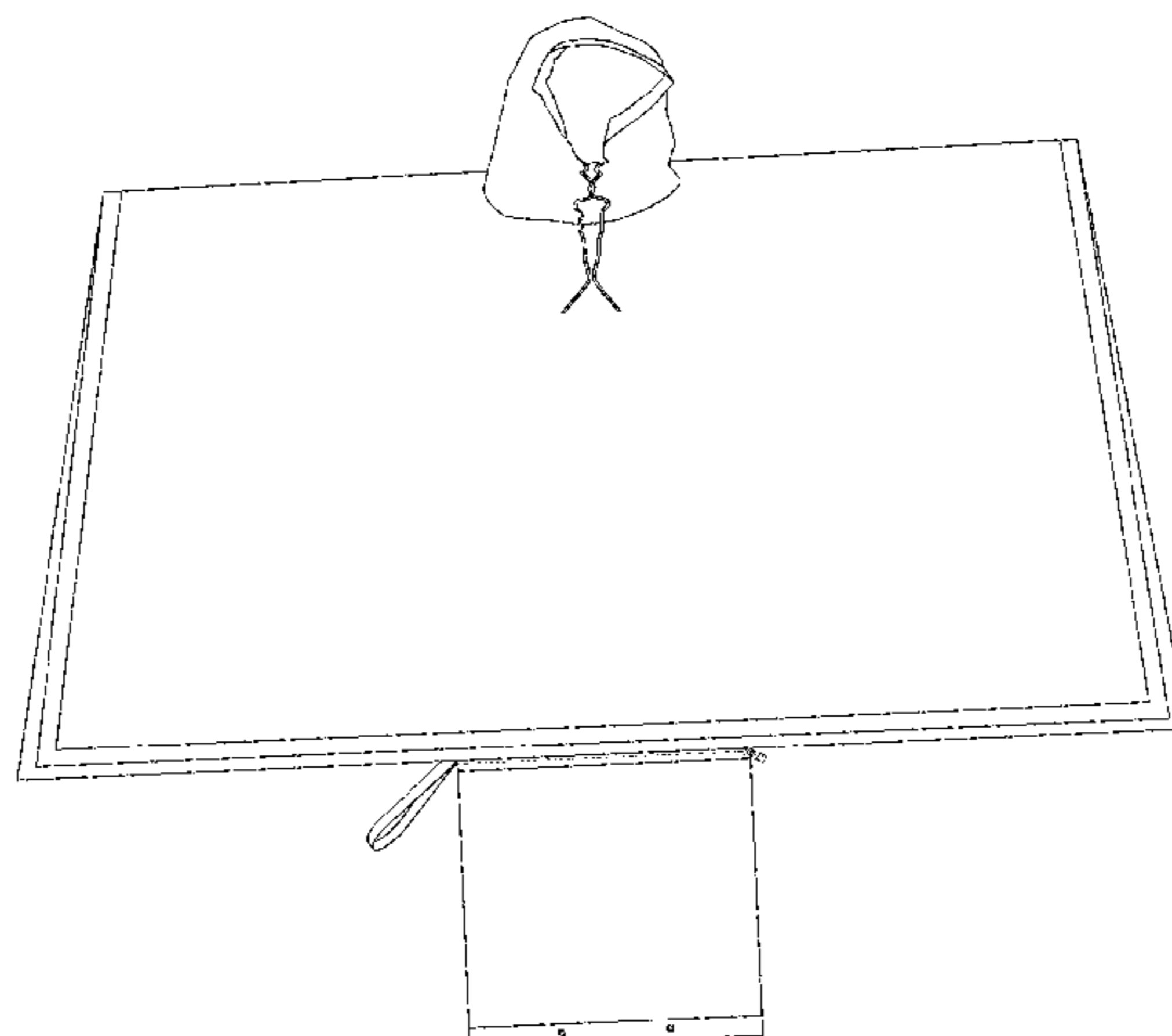
(57) **CLAIM**

The ornamental design for a water-proof garment with attached seat, as shown and described.

**DESCRIPTION**

FIG. 1 is a front elevation view of the water-proof garment with attached seat showing our new design;  
FIG. 2 is a top plan view thereof; with the garment lying flat;  
FIG. 3 is a bottom plan view thereof;  
FIG. 4 is a bottom plan view thereof, wherein the seat is snapped into the garment;  
FIG. 5 is a rear view thereof, with the garment shown in a position of use and with the seat is unsnapped from the garment;  
FIG. 6 is a rear elevation view thereof, wherein the seat is snapped into the garment;  
FIG. 7 is a top plan view thereof, wherein the garment is shown folded adjacent to the attached seat;  
FIG. 8 is a side elevation view thereof, wherein the folded garment is enclosed within the attached seat; and,  
FIG. 9 is a top plan view thereof, wherein the folded garment is enclosed within the attached seat.  
The broken lines shown in the figures merely indicate environmental matter. The broken lines do not form any part of the claimed design.

**1 Claim, 8 Drawing Sheets**



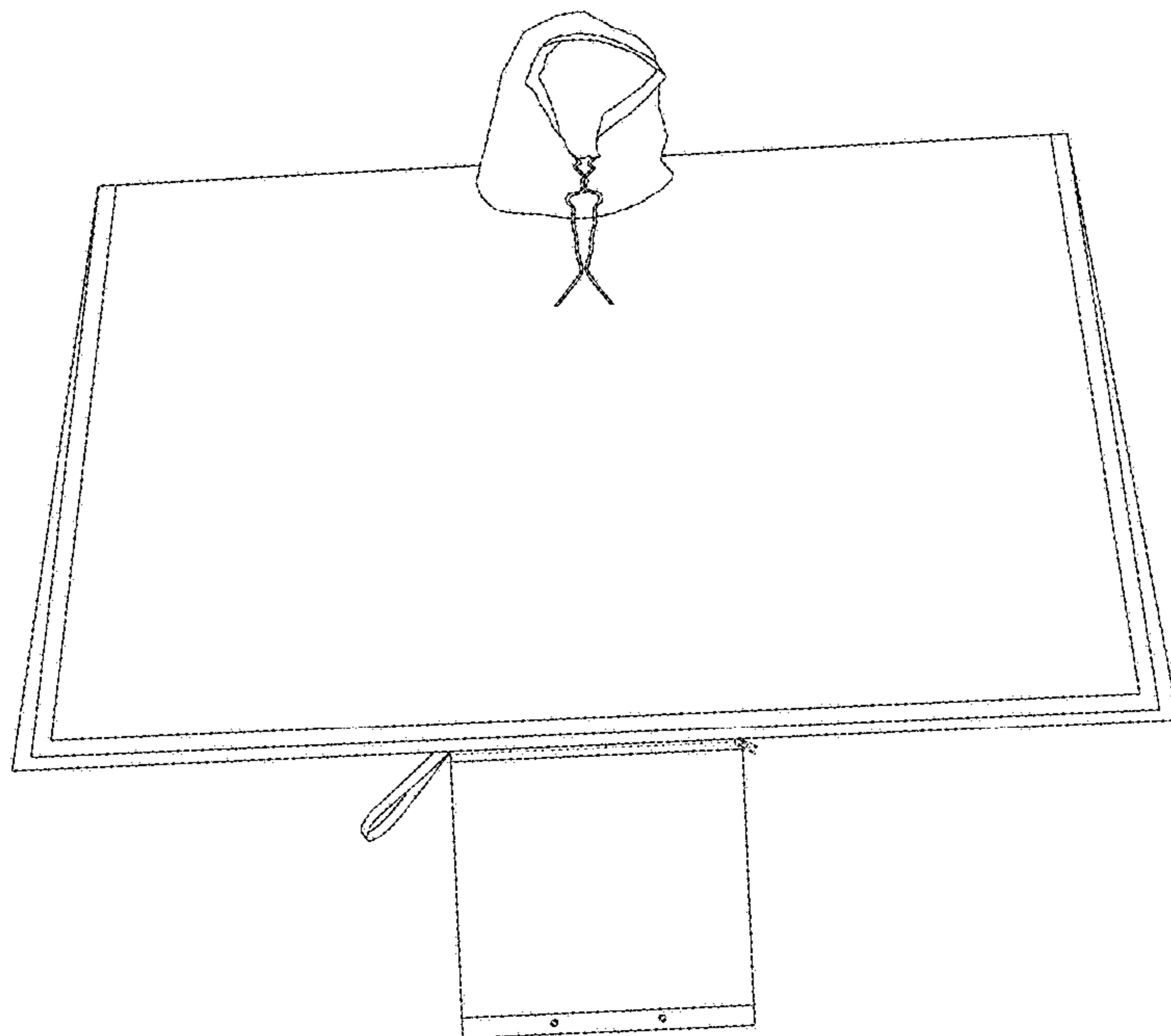


FIG. 1

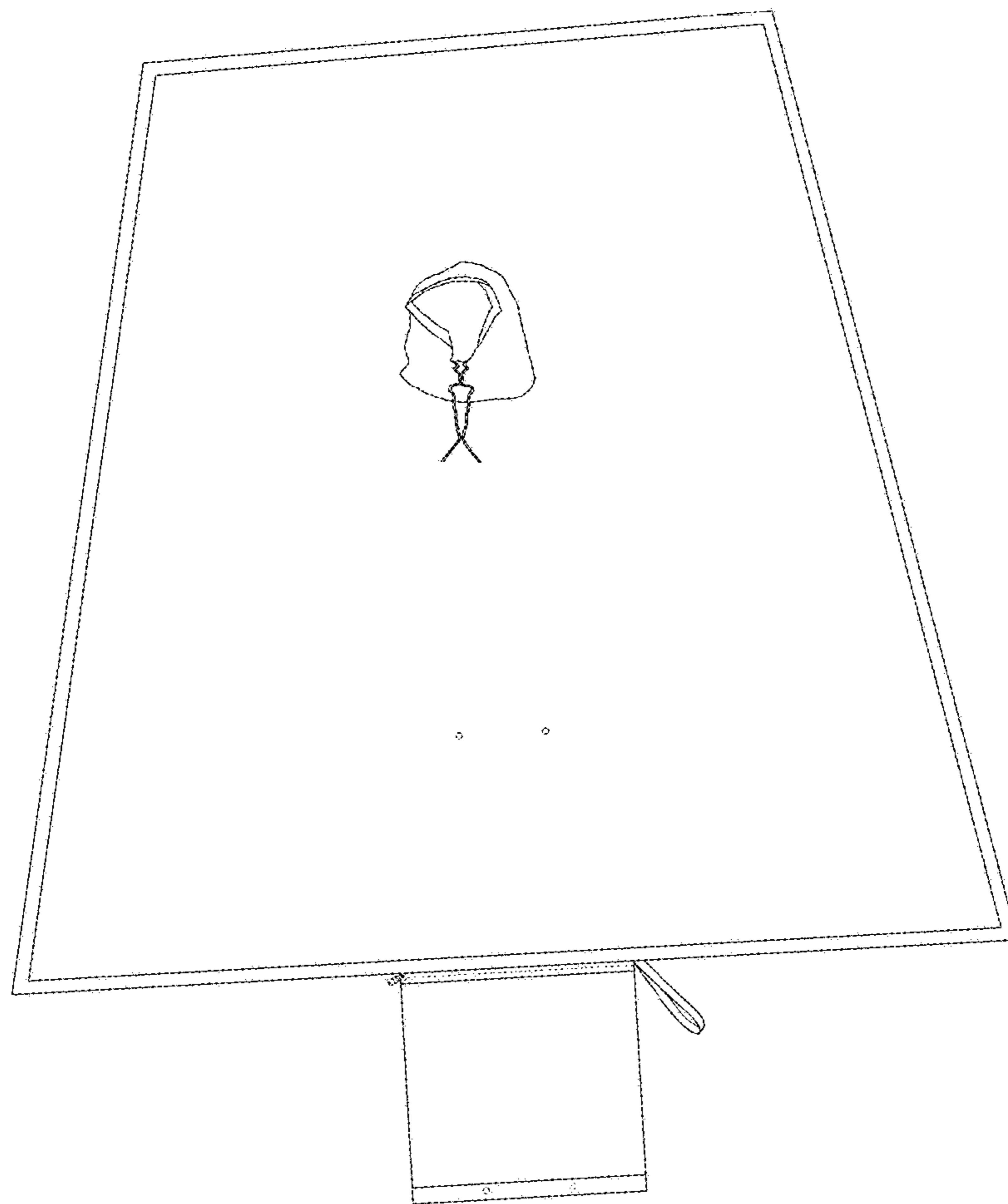


FIG. 2

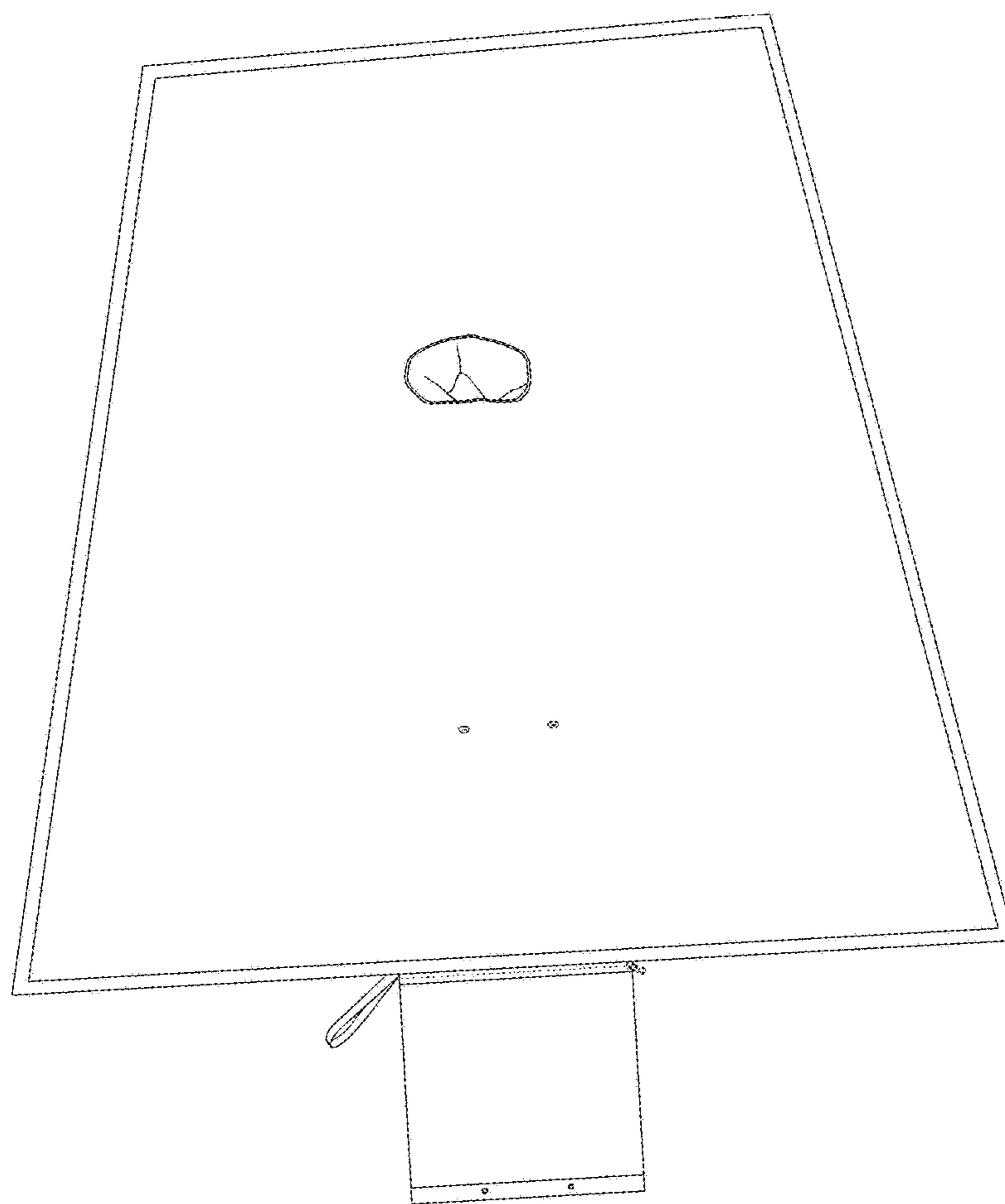


FIG. 3

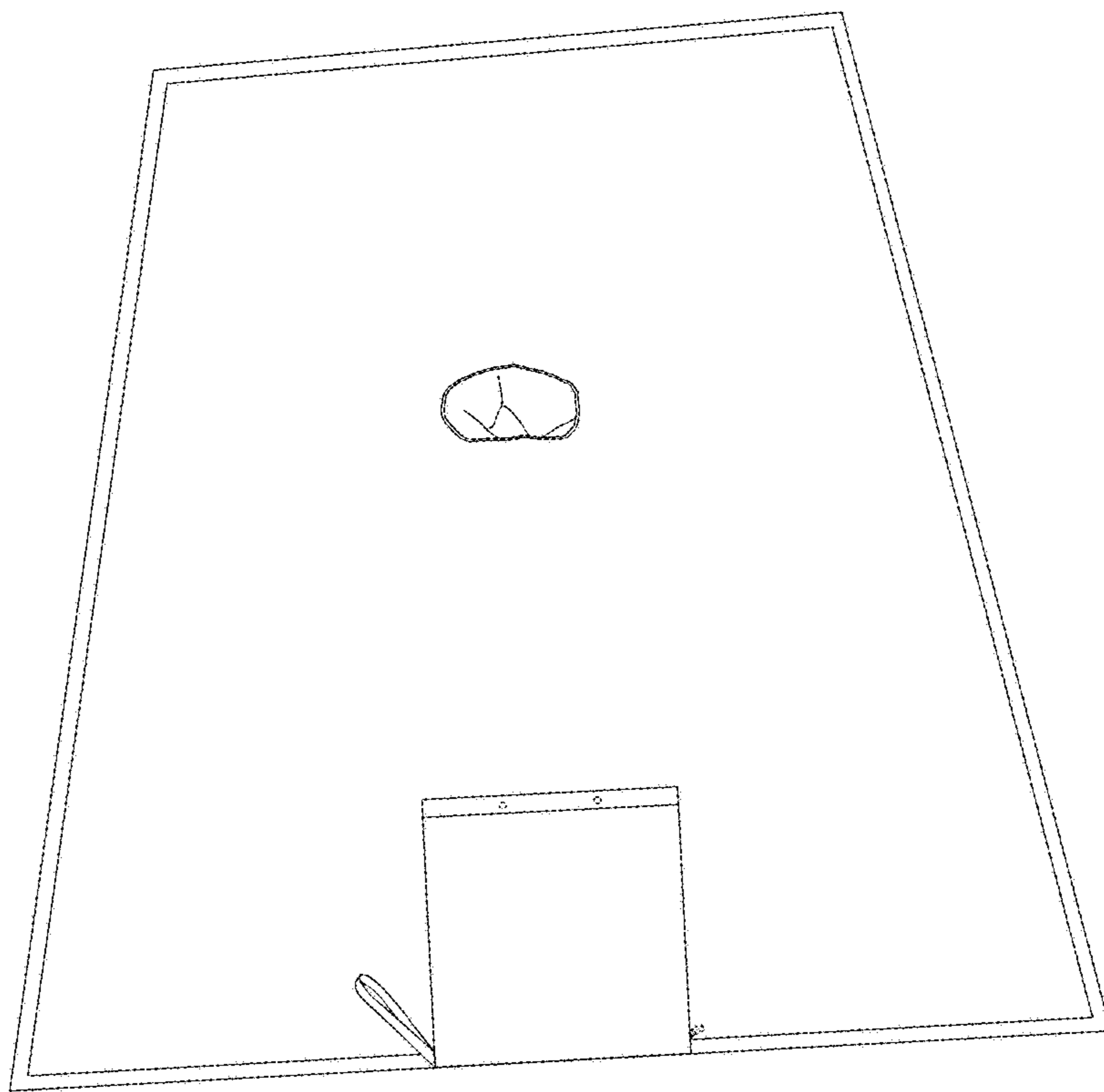


FIG. 4

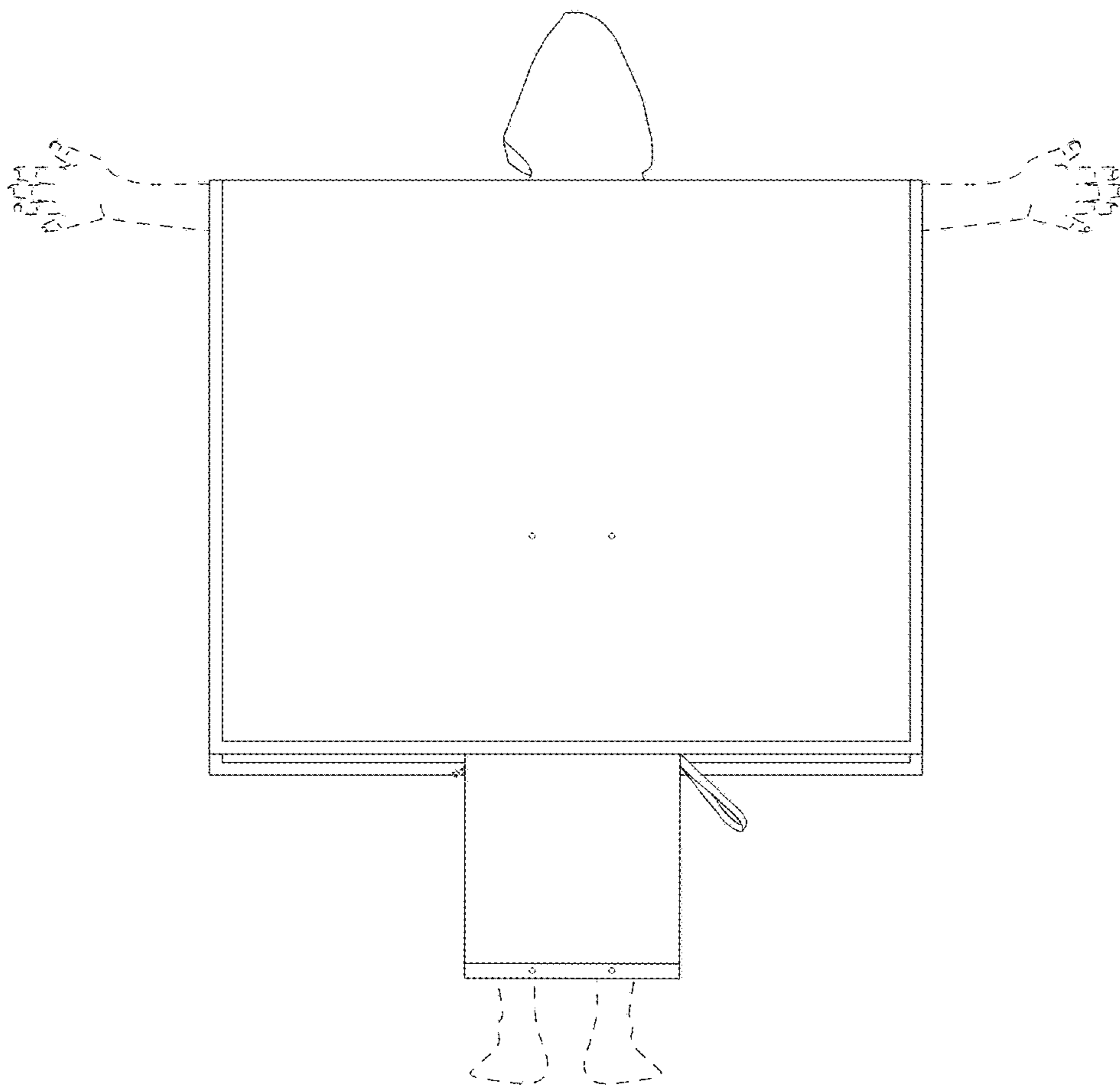


FIG. 5

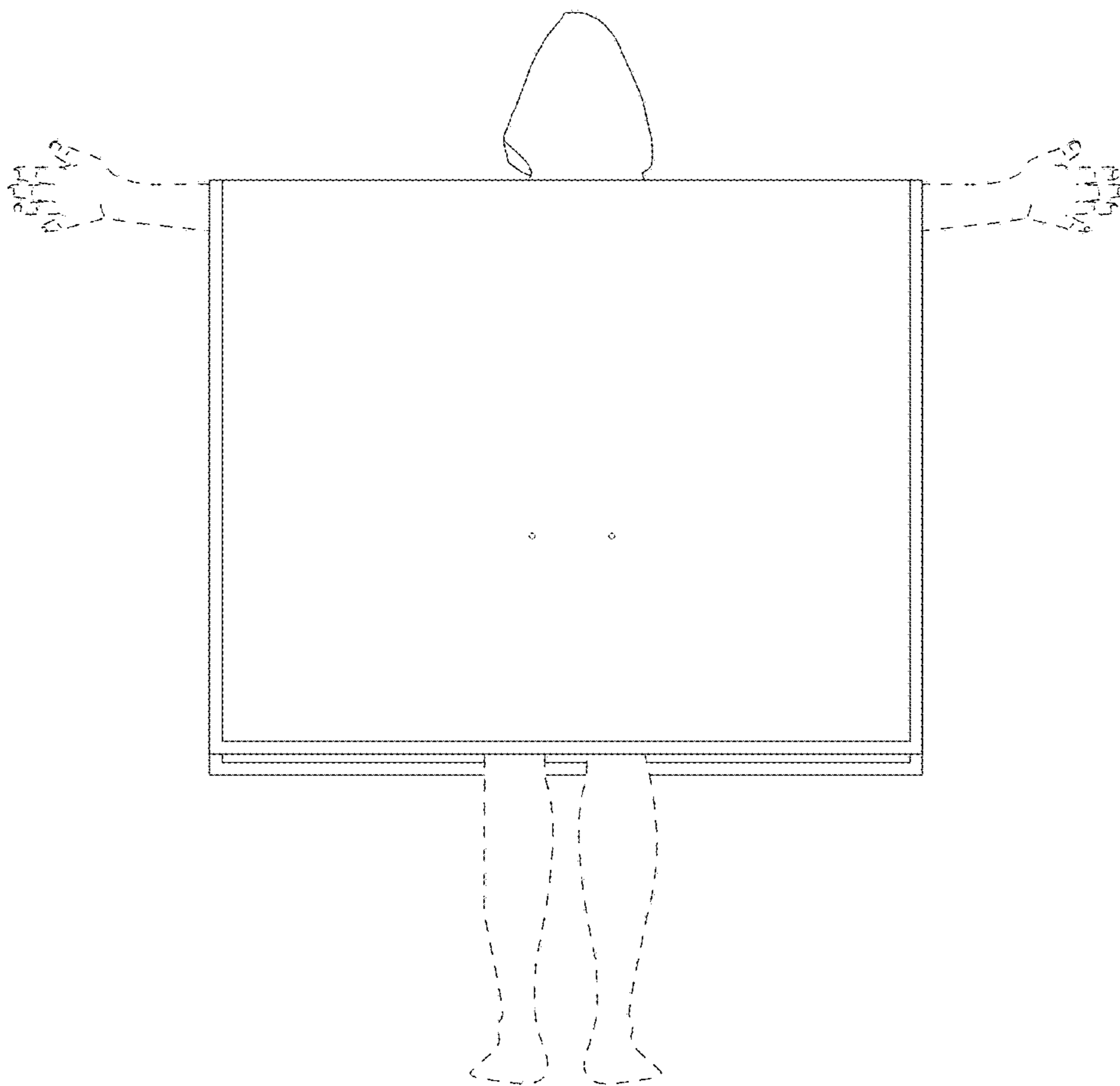


FIG. 6

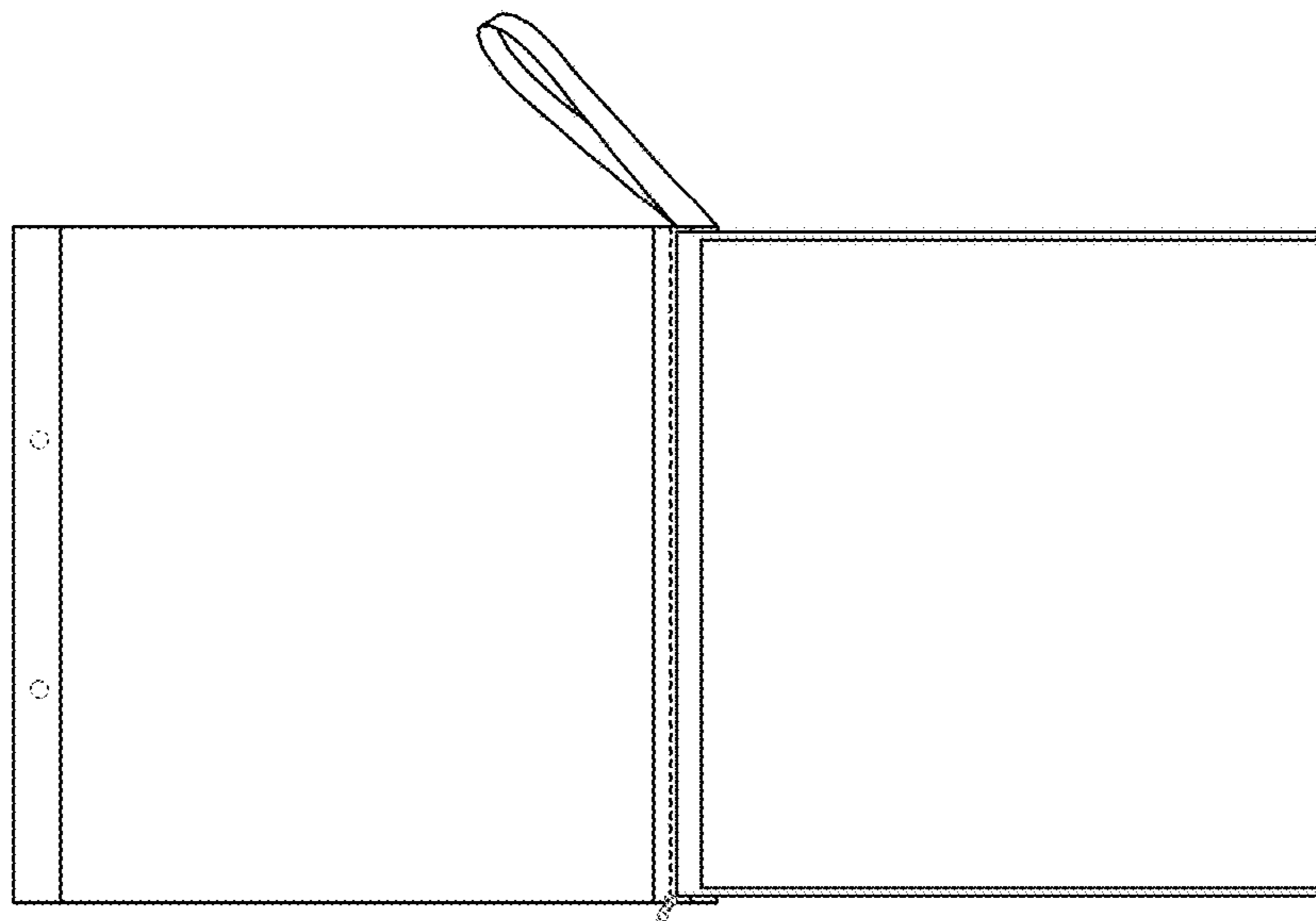


FIG. 7



FIG. 8



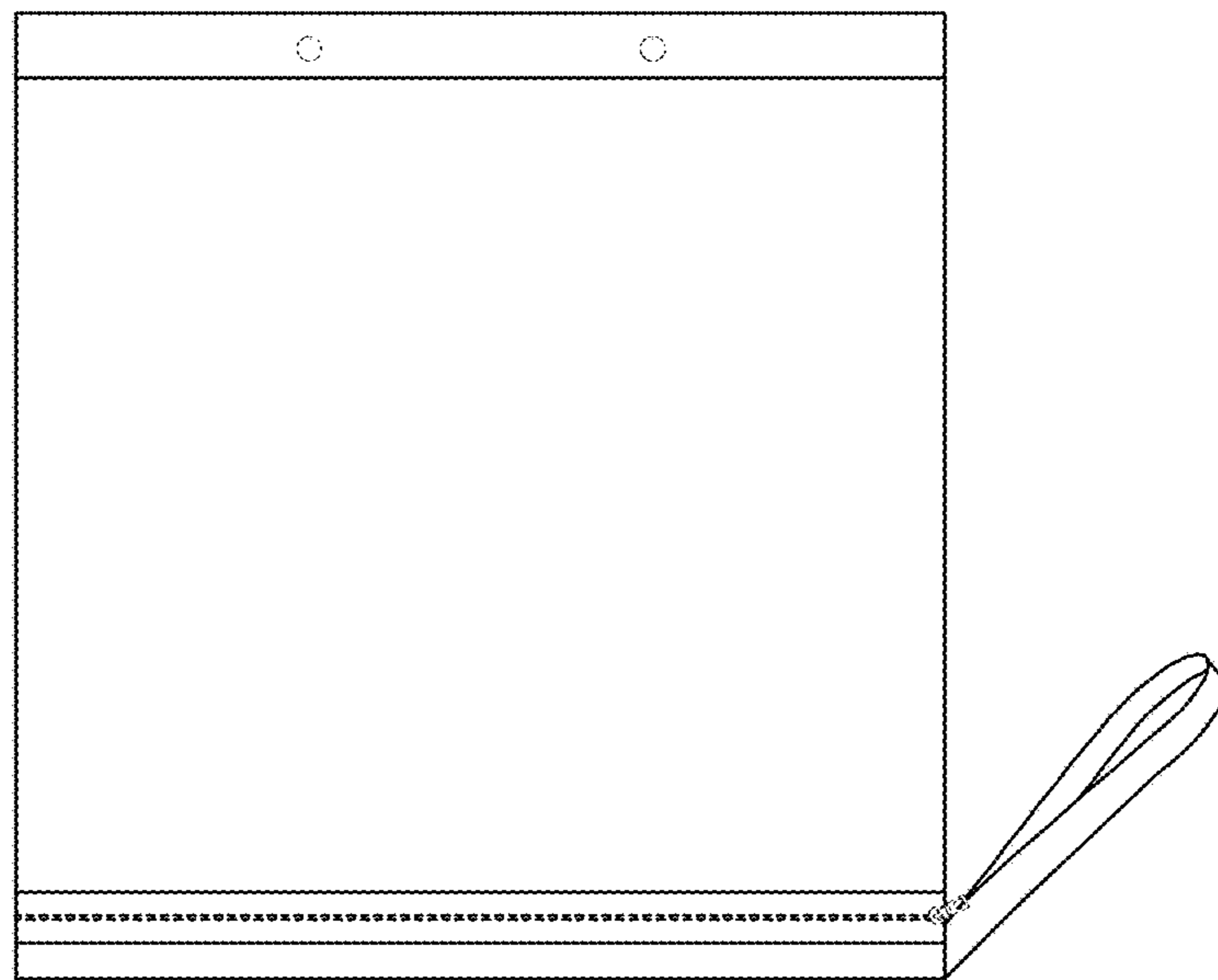


FIG. 9