



US00D850056S

(12) **United States Design Patent**
Crosby et al.

(10) **Patent No.:** **US D850,056 S**
(45) **Date of Patent:** **** Jun. 4, 2019**

- (54) **LOW WALL TACO**
- (71) Applicant: **General Mills, Inc.**, Minneapolis, MN (US)
- (72) Inventors: **Christopher Crosby**, Shakopee, MN (US); **John J Fenske**, Shoreview, MN (US); **Sean Igo**, Minnetonka, MN (US)
- (73) Assignee: **General Mills, Inc.**, Minneapolis, MN (US)

| | | | | |
|--------------|------|--------|-----------------|-------------|
| 4,938,515 | A * | 7/1990 | Fazio | A41D 13/082 |
| | | | | 2/21 |
| D334,111 | S * | 3/1993 | Yockey | D7/504 |
| D350,671 | S * | 9/1994 | Asner | D7/504 |
| D421,272 | S * | 2/2000 | Patel | D19/86 |
| D523,698 | S * | 6/2006 | David | D1/105 |
| D524,113 | S * | 7/2006 | Dodge | D1/105 |
| D590,126 | S * | 4/2009 | Kovich | D1/122 |
| D634,098 | S * | 3/2011 | Gillig | D1/122 |
| D655,886 | S * | 3/2012 | Kovich et al. | |
| D824,636 | S * | 8/2018 | Colquhoun | D1/122 |
| 2006/0147587 | A1 * | 7/2006 | Kovich | A21C 15/025 |
| | | | | 426/138 |

(**) Term: **15 Years**

(21) Appl. No.: **29/638,509**

(22) Filed: **Feb. 27, 2018**

(51) **LOC (11) Cl.** **01-01**

(52) **U.S. Cl.**
USPC **D1/122**

(58) **Field of Classification Search**
USPC D1/100-130, 199; D21/386; D7/504, D7/509, 510, 523, 524, 555, 566, 568, D7/584-587, 602, 672, 601, 629, 653, D7/654; D19/90, 91; 426/92, 94, 95, 99, 426/101, 138-139, 143, 279, 282, 283, 426/391, 514; D11/146, 151, 154; D14/480.5, 484.1
CPC A21D 13/0025; A21D 13/0029; A21D 13/0074; A21D 13/0022; A21D 13/0006; A23L 1/1641; A23L 1/005
See application file for complete search history.

(56) **References Cited**

U.S. PATENT DOCUMENTS

| | | | | |
|-----------|-----|---------|-----------------|-------------|
| 3,294,229 | A * | 12/1966 | McConnell | A47G 21/16 |
| | | | | 206/223 |
| 3,355,082 | A * | 11/1967 | Wood | A47G 21/001 |
| | | | | 206/815 |
| D263,786 | S * | 4/1982 | Kohan | D19/90 |

* cited by examiner

Primary Examiner — Katie Jane Stofko

(74) *Attorney, Agent, or Firm* — Diederiks & Whitelaw, PLC; John L. Crimmins

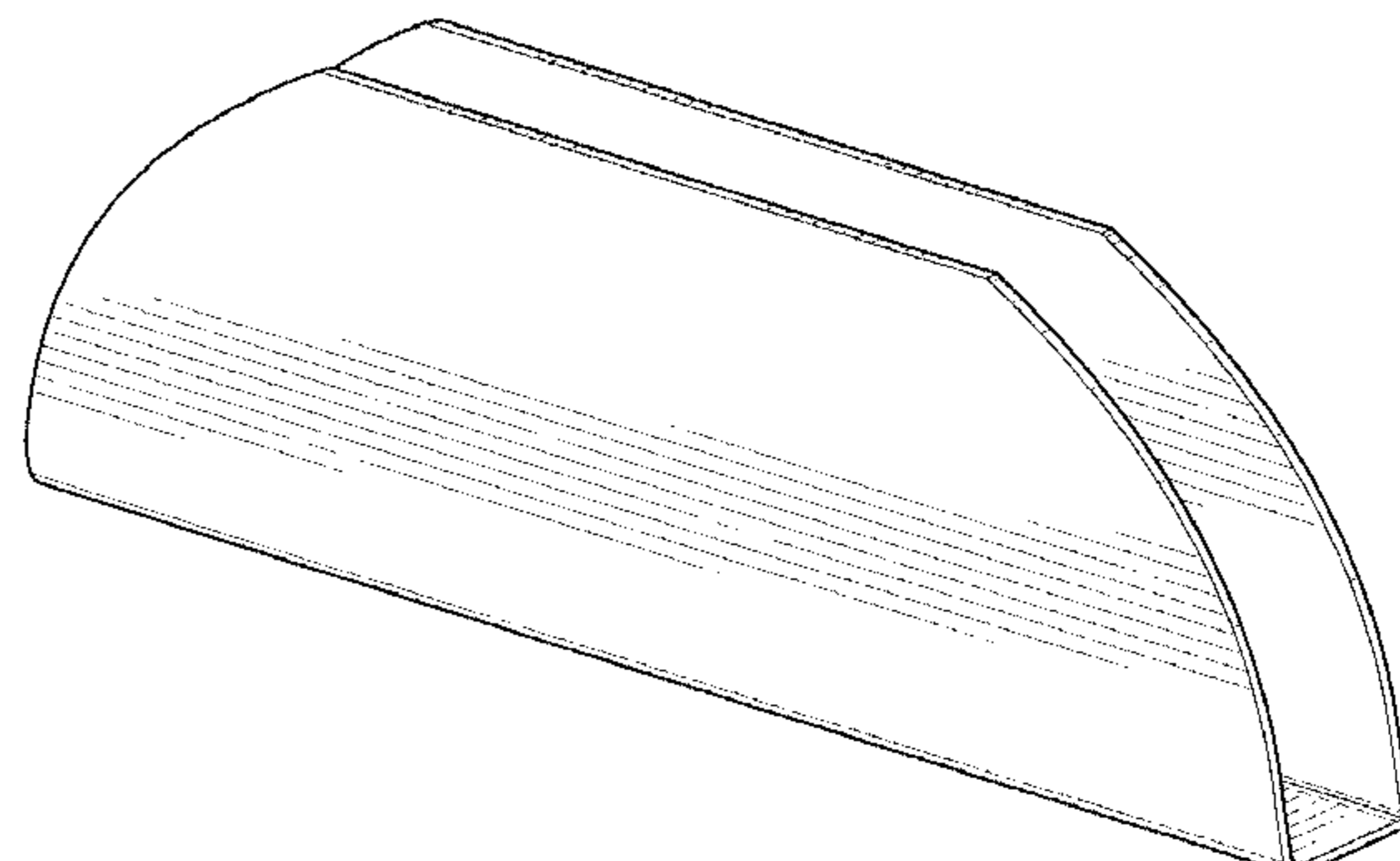
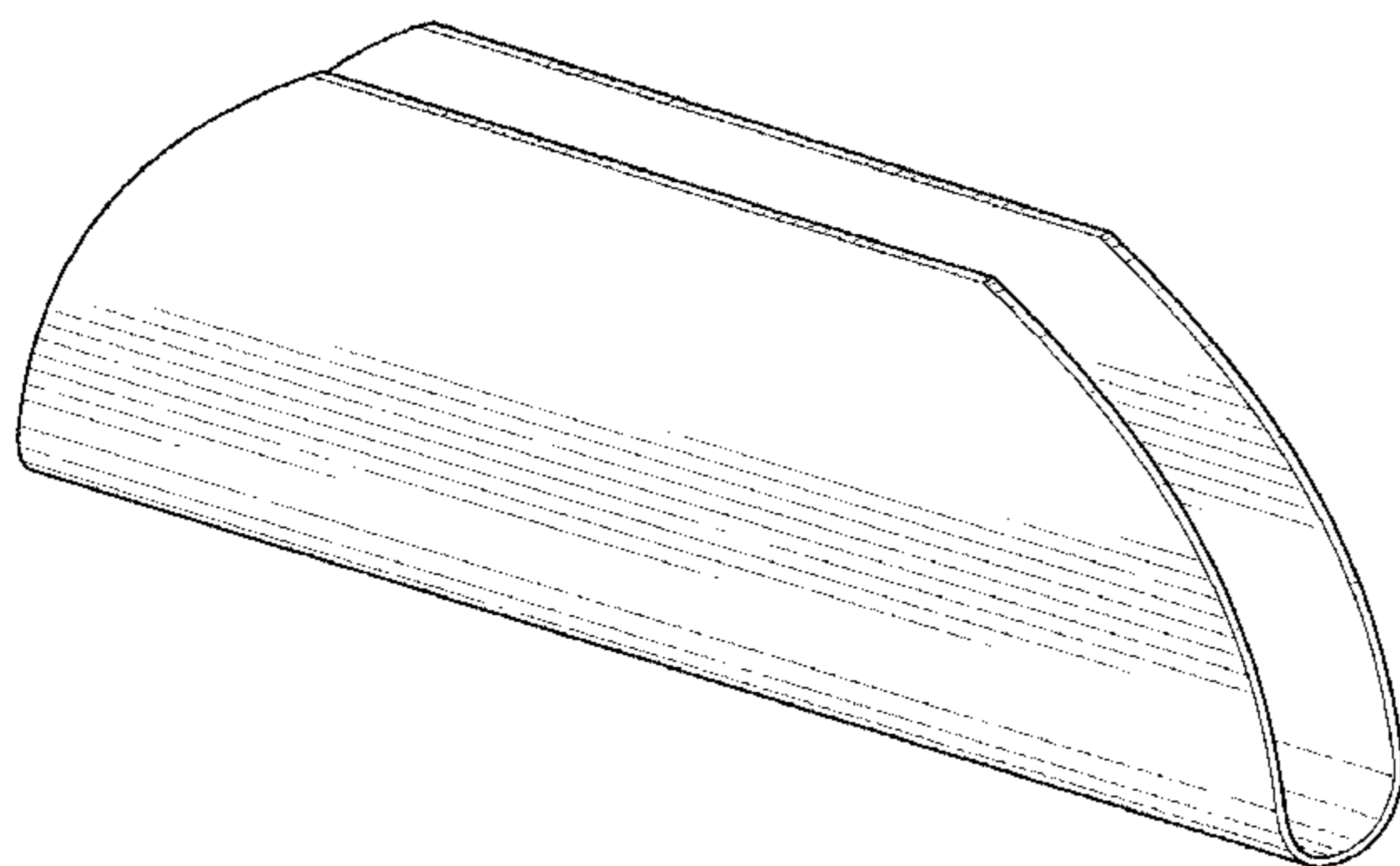
(57) **CLAIM**

The ornamental design for a low wall taco, as shown and described.

DESCRIPTION

FIG. 1 is a perspective view of a low wall taco according an embodiment of the present design;
FIG. 2 is a front elevational view of the low wall taco of FIG. 1, with the rear view being a mirror image thereof;
FIG. 3 is a top view of the low wall taco;
FIG. 4 is a bottom view of the low wall taco;
FIG. 5 is right side elevational view of the low wall taco, with the left side view being a mirror image thereof;
FIG. 6 is a perspective view of a low wall taco according another embodiment of the present design;
FIG. 7 is a front elevational view of the low wall taco of FIG. 6, with the rear view being a mirror image thereof;
FIG. 8 is a top view of the low wall taco;
FIG. 9 is a bottom view of the low wall taco; and,
FIG. 10 is right side elevational view of the low wall taco, with the left side view being a mirror image thereof.

1 Claim, 6 Drawing Sheets



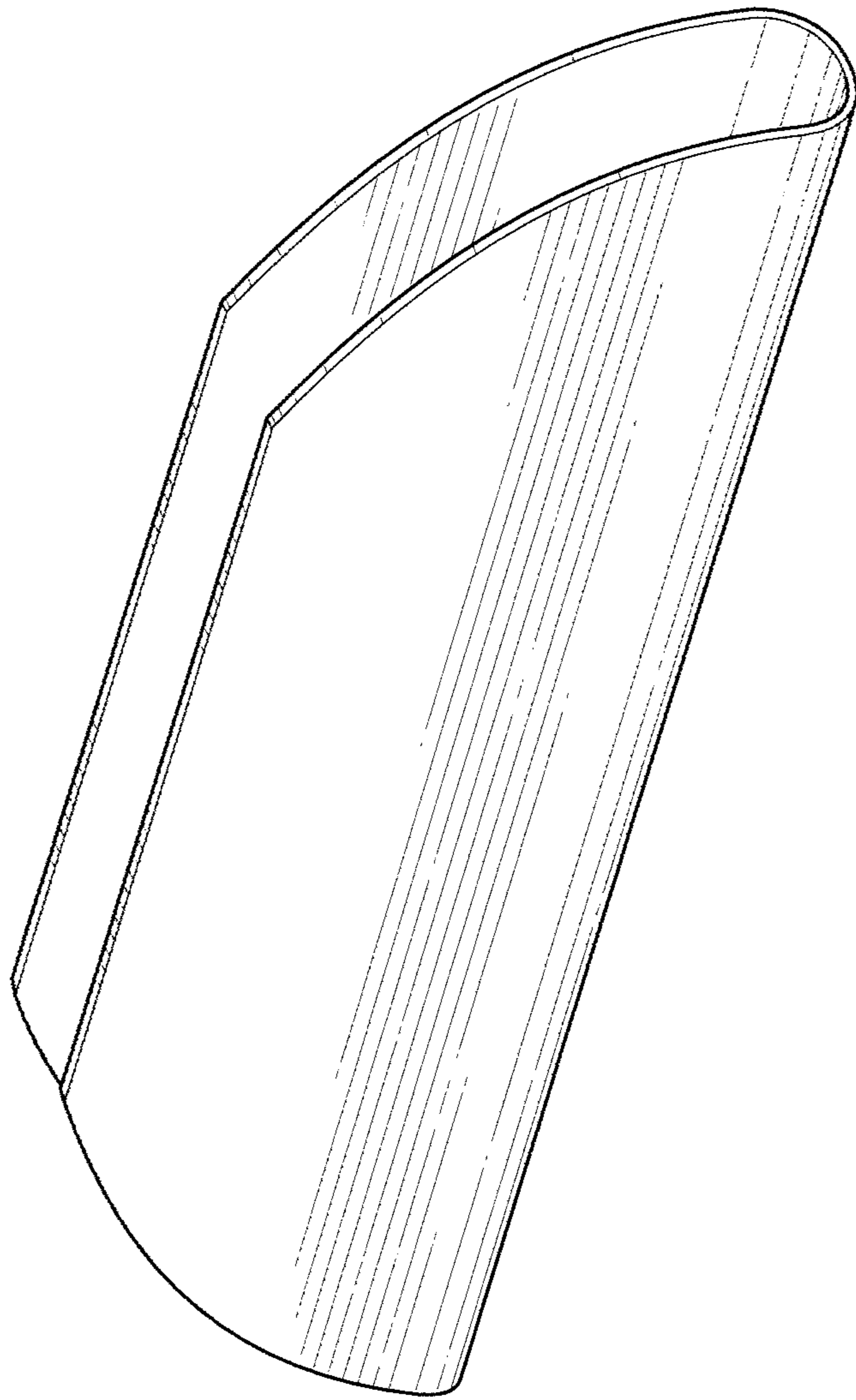


FIG. 1

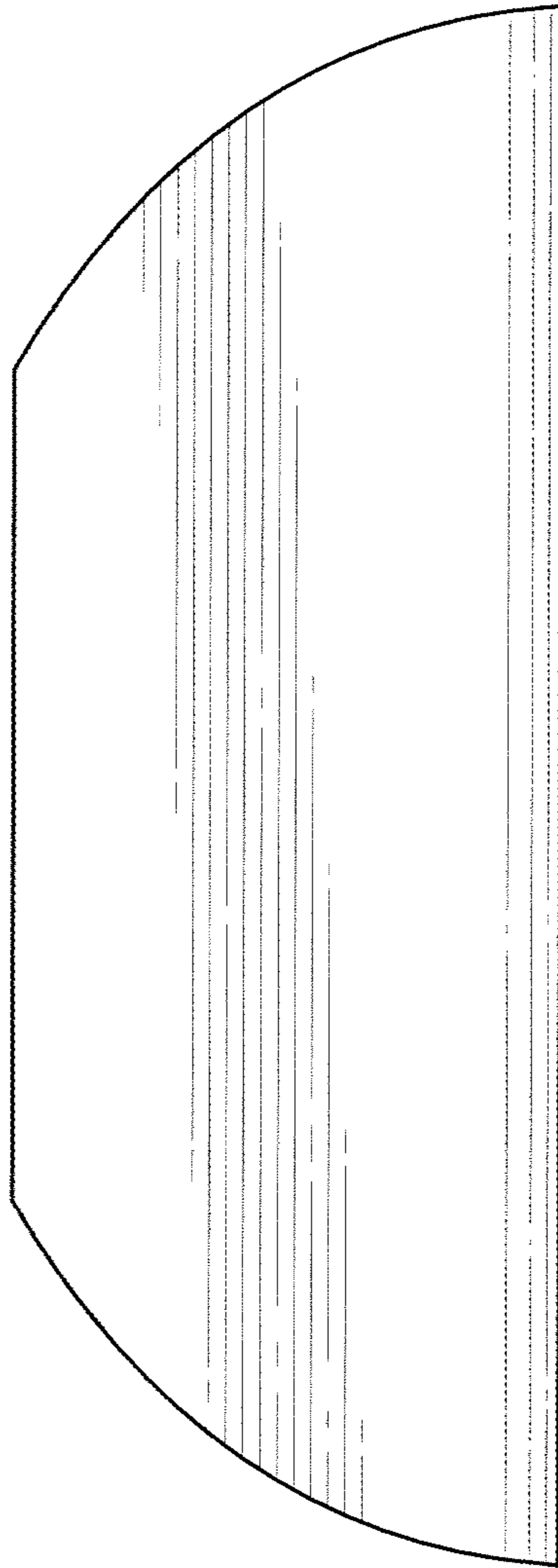


FIG. 2

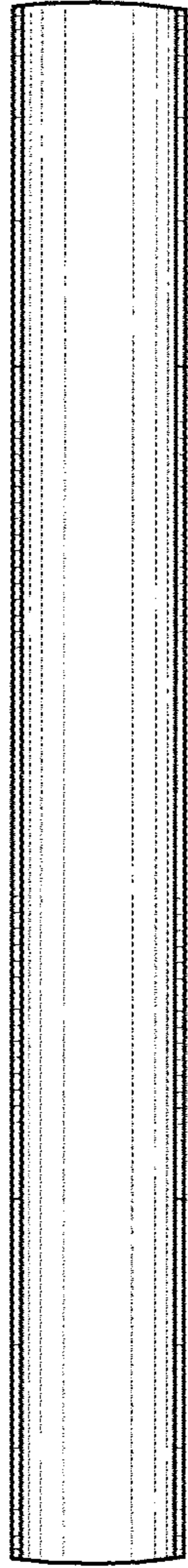


FIG. 3

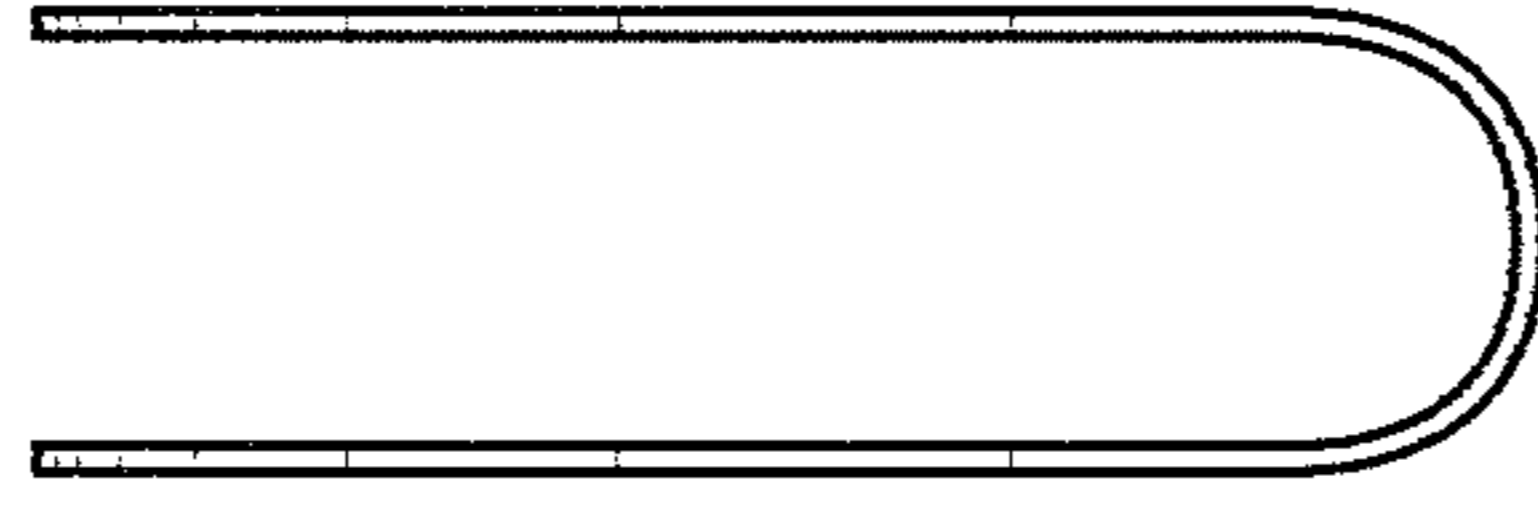


FIG. 5

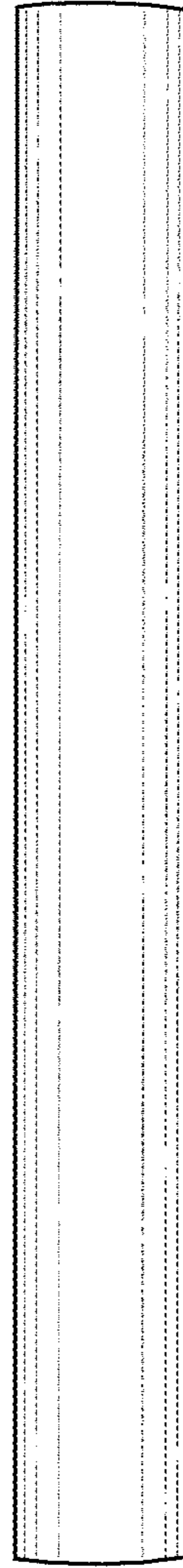


FIG. 4

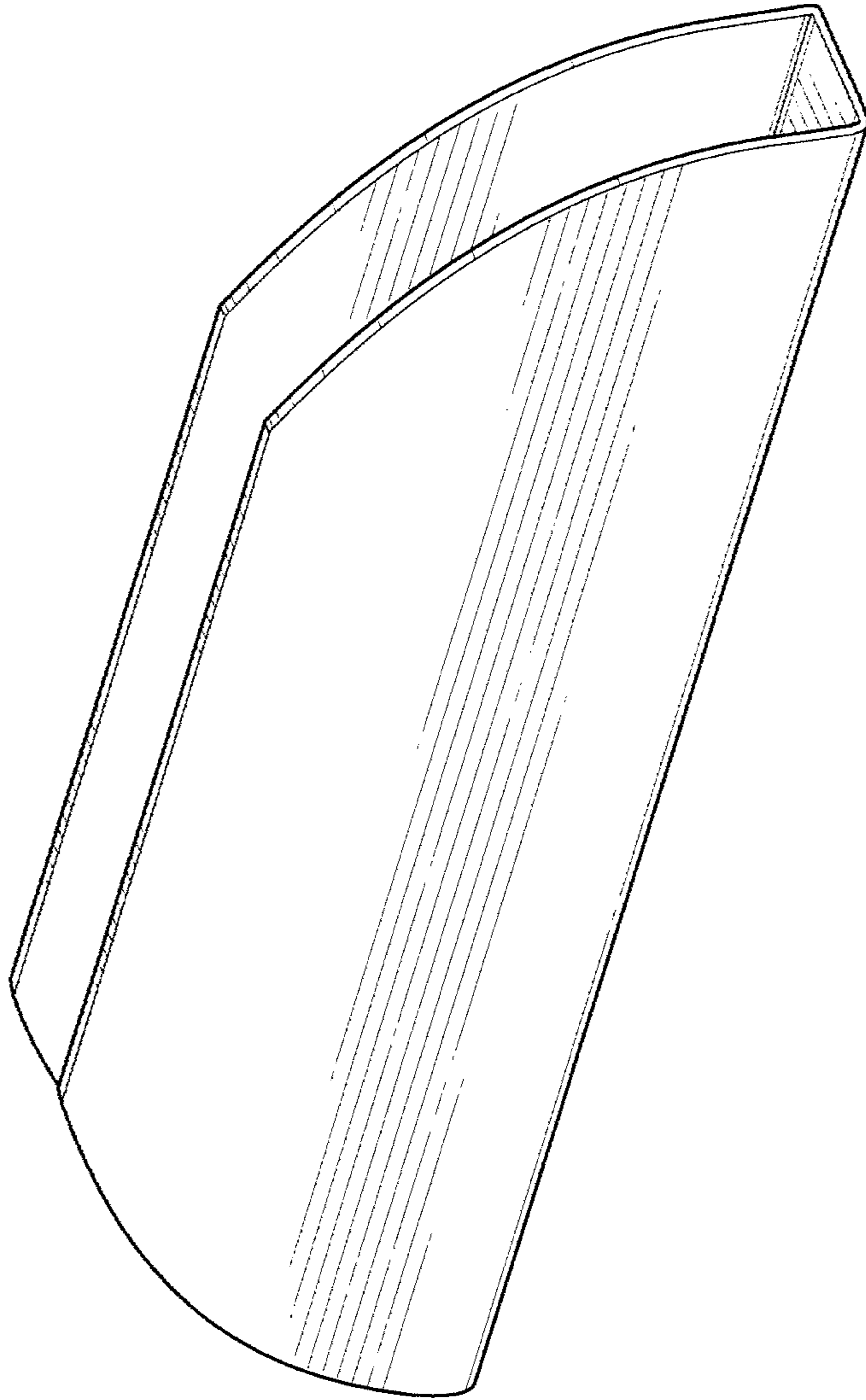


FIG. 6

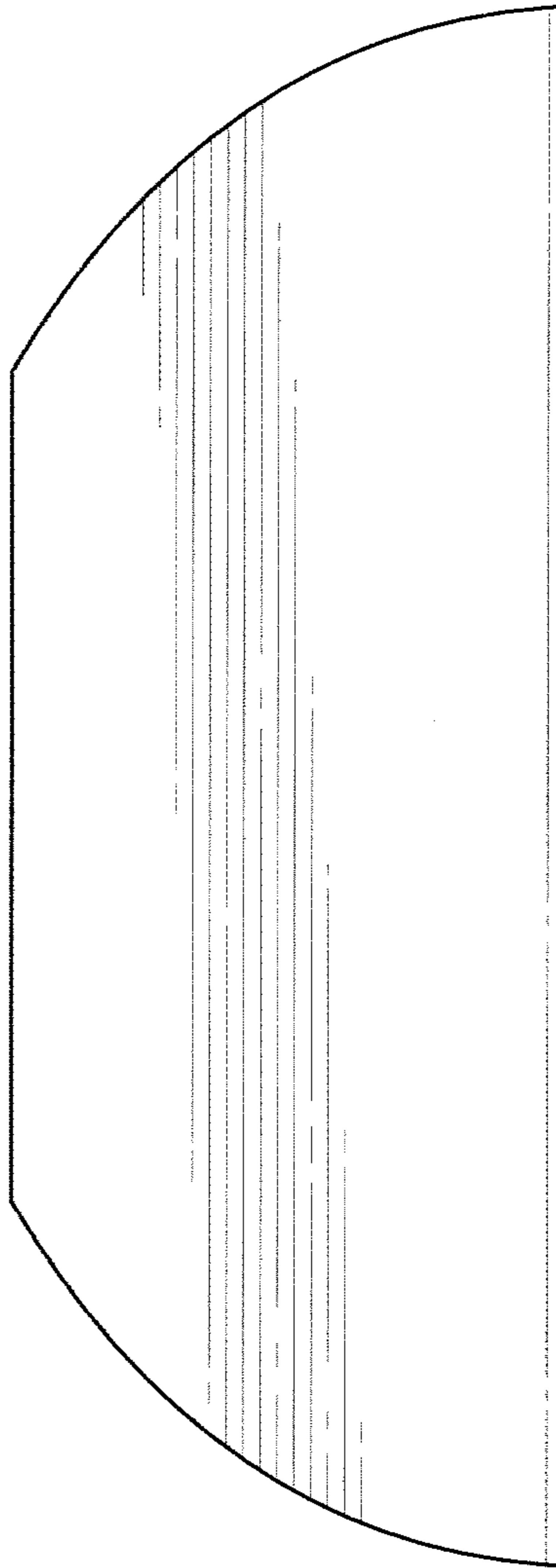


FIG. 7

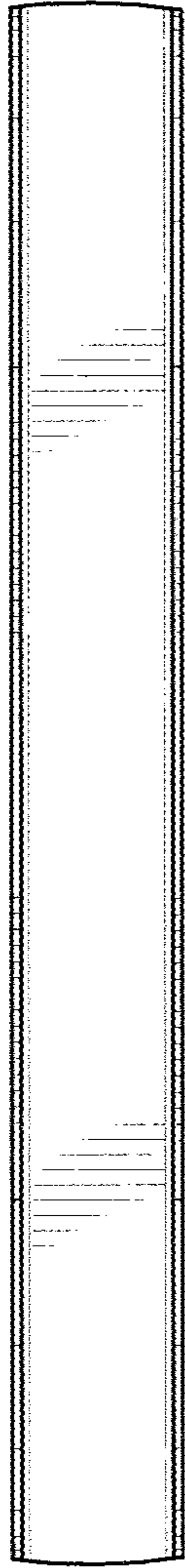


FIG. 8

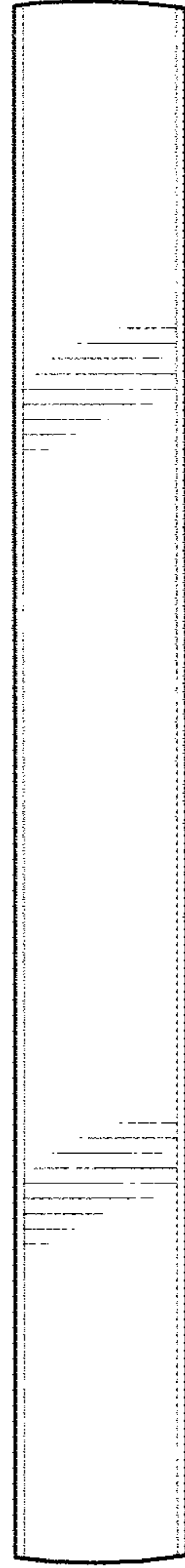


FIG. 9



FIG. 10