



US00D850054S

(12) **United States Design Patent**
Del Vecchio et al.

(10) **Patent No.:** **US D850,054 S**
(45) **Date of Patent:** **** May 28, 2019**

(54) **AUTOMATED TELLER MACHINE**

(71) Applicant: **Klear Technologies, Inc.**, San Jose, CA (US)

(72) Inventors: **Giancarlo Enrico Del Vecchio**, San Diego, CA (US); **Siegfried Gossner**, Luetzelburg (DE); **Wade H. Gotcher**, Incline Village, NV (US); **Scott David Hazard**, San Jose, CA (US); **Angelika Johnson**, Gersthofen (DE); **Stefan Marinitsch**, Kirchberg am Walde (AT); **Gergey Matl**, Augsburg (DE); **Fabian Schmid**, Esslingen (DE); **Kenneth Chad Venables**, Cape Town (ZA)

(73) Assignee: **Klear Technologies, Inc.**, Las Vegas, NV (US)

(**) Term: **15 Years**

(21) Appl. No.: **29/621,483**

(22) Filed: **Oct. 9, 2017**

(51) **LOC (11) Cl.** **99-00**

(52) **U.S. Cl.**
USPC **D99/28**

(58) **Field of Classification Search**
USPC D99/28, 34, 35, 36, 43, 99;
D14/300-302, 305, 307, 900-902;
D18/3.1-3.3, 4.1-4.6, 12.1-12.3;
D21/324, 325, 329, 369, 370; 101/66;
109/1 R, 1 V, 2, 23, 24.1, 25, 58, 58.5,
109/66; 446/8-13; 705/16, 17, 18, 42,
705/43, 44, 45; 235/51, 379, 380, 381,
235/382, 382.5, 386; 206/0.8, 0.81,
206/0.815, 0.82, 0.84
CPC .. G06Q 20/10; G06Q 20/108; G06Q 20/1085;
G06Q 20/187; G07D 1/00; G07D 1/02;
G07D 1/04; G07D 1/06; G07D 11/00;
G07D 9/002; G07D 9/04; G07F 19/20;
G07F 19/201; G07F 19/202; G07F

19/203; G07F 19/204; G07F 19/105;
G07F 19/21; G07F 19/00; G07F 7/04;
G07F 5/00; G07F 1/00; E05G 7/001;
E05G 1/006; A63H 33/00; A63H 33/005
See application file for complete search history.

(56) **References Cited**

U.S. PATENT DOCUMENTS

| | | | | |
|--------------|---------|-----------|-------|---------|
| D308,275 S * | 5/1990 | Garten | | D99/28 |
| D318,553 S * | 7/1991 | Brown | | D99/28 |
| D377,170 S * | 1/1997 | Wilson | | D14/130 |
| D395,129 S * | 6/1998 | Johnson | | D14/130 |
| D402,782 S * | 12/1998 | Johnson | | D99/28 |
| D419,277 S * | 1/2000 | Ishii | | D99/28 |
| D427,742 S * | 7/2000 | McCormack | | D99/28 |
| D431,708 S * | 10/2000 | McCormack | | D14/900 |
| D456,587 S * | 4/2002 | Kit | | D99/28 |
| D470,543 S * | 2/2003 | Searls | | D21/483 |

(Continued)

Primary Examiner — Elizabeth J Oswecki
(74) *Attorney, Agent, or Firm* — Stroock & Stroock & Lavan LLP

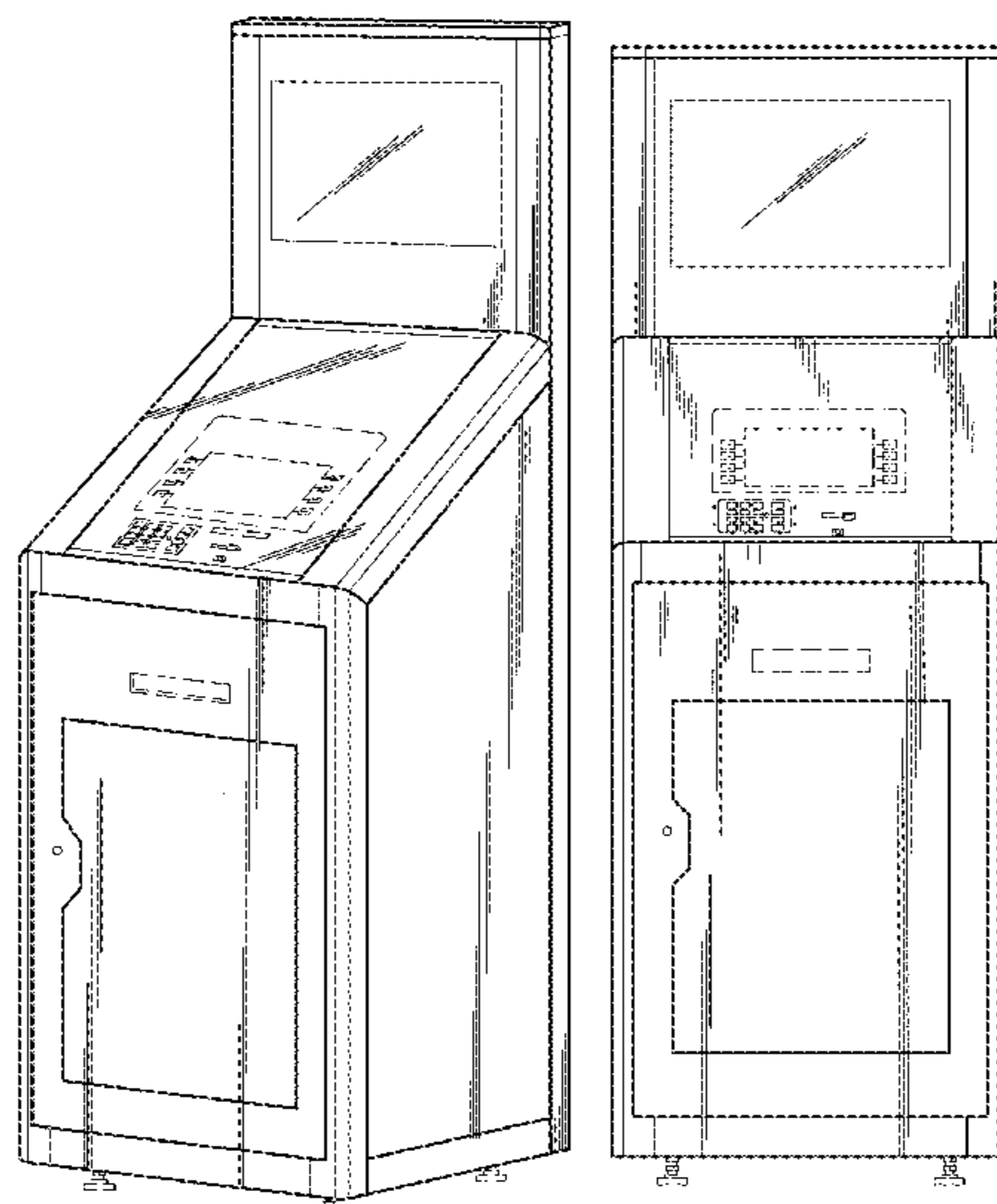
(57) **CLAIM**

The ornamental design for an automated teller machine, as shown and described.

DESCRIPTION

FIG. 1 is a perspective view of an automated teller machine showing our new design;
FIG. 2 is a front elevational view thereof;
FIG. 3 is a rear elevational view thereof;
FIG. 4 is a right side elevational view thereof;
FIG. 5 is a left side elevational view thereof;
FIG. 6 is a bottom plan view thereof; and,
FIG. 7 is a top plan view thereof.
The drawings include dashed lines which are for the purpose of illustration and form no part of the claimed design.

1 Claim, 6 Drawing Sheets



(56)

References Cited

U.S. PATENT DOCUMENTS

6,748,101 B1 * 6/2004 Jones G06Q 20/1085
235/379
7,028,888 B2 * 4/2006 Laskowski G06Q 20/1085
235/379
D530,880 S * 10/2006 Magee D99/28
7,533,802 B1 * 5/2009 McGinley G07F 19/20
235/376
D603,124 S * 10/2009 Lara Bartolome D99/28
D603,125 S * 10/2009 Lara Bartolome D99/28
D611,224 S * 3/2010 Stoddard D99/28
D618,875 S * 6/2010 Tougo D18/3.3
D625,305 S * 10/2010 Bleck D14/307
D626,544 S * 11/2010 Bleck D14/307
D626,545 S * 11/2010 Bleck D14/307
8,052,051 B1 * 11/2011 Lute G07F 19/205
235/375
D689,665 S * 9/2013 Pollmann D99/28
D708,814 S * 7/2014 Lee D99/28
D724,290 S * 3/2015 Cha D99/28
D732,263 S * 6/2015 Budde D99/28
D749,290 S * 2/2016 Pollmann D99/28
D757,389 S * 5/2016 Lee D99/28
D769,570 S * 10/2016 Kraft D99/28
D772,521 S * 11/2016 Graham D99/28
D792,049 S * 7/2017 Oh D99/28
D803,507 S * 11/2017 Park D99/28
D825,133 S * 8/2018 Park D99/28
D832,553 S * 10/2018 Angelopoulos D99/28
D833,704 S * 11/2018 Kraft D99/28
2004/0262379 A1 * 12/2004 Gomes G06Q 30/06
235/379
2006/0073883 A1 * 4/2006 Franks, Jr. G06Q 30/02
463/25
2008/0296365 A1 * 12/2008 Schliebe G01G 19/52
235/379

* cited by examiner

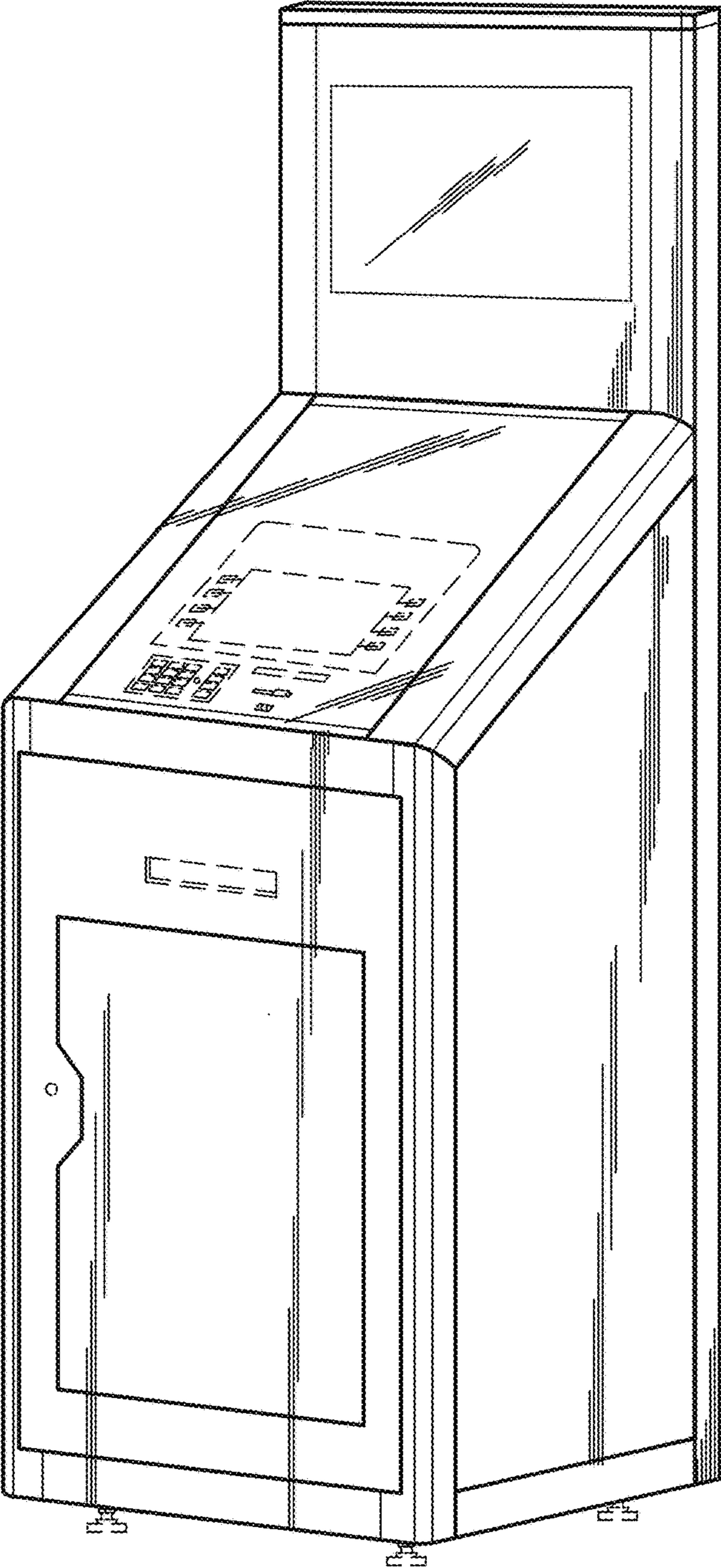


FIG. 1

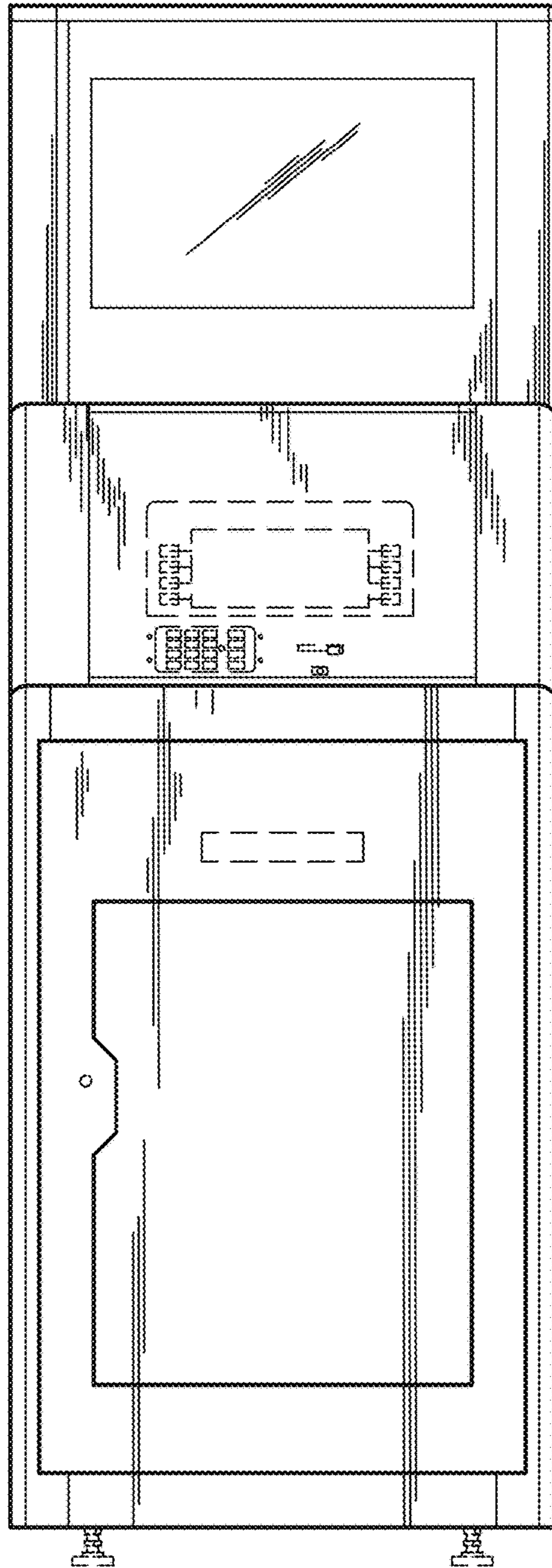


FIG. 2

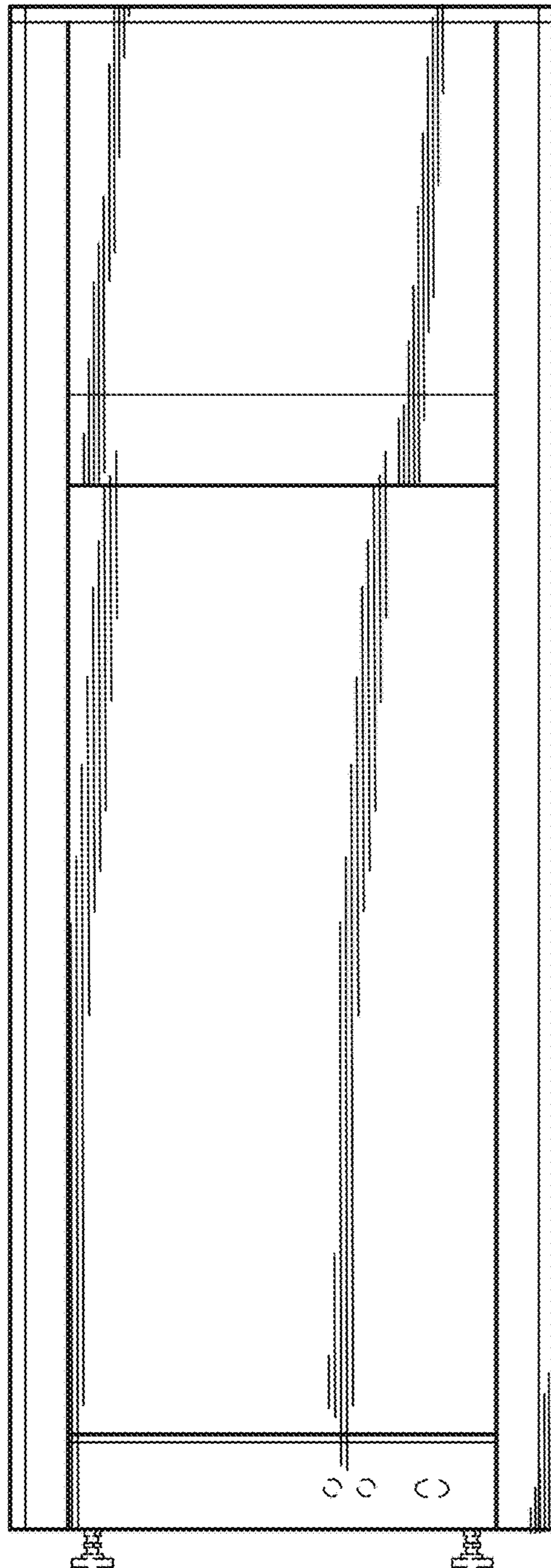


FIG. 3

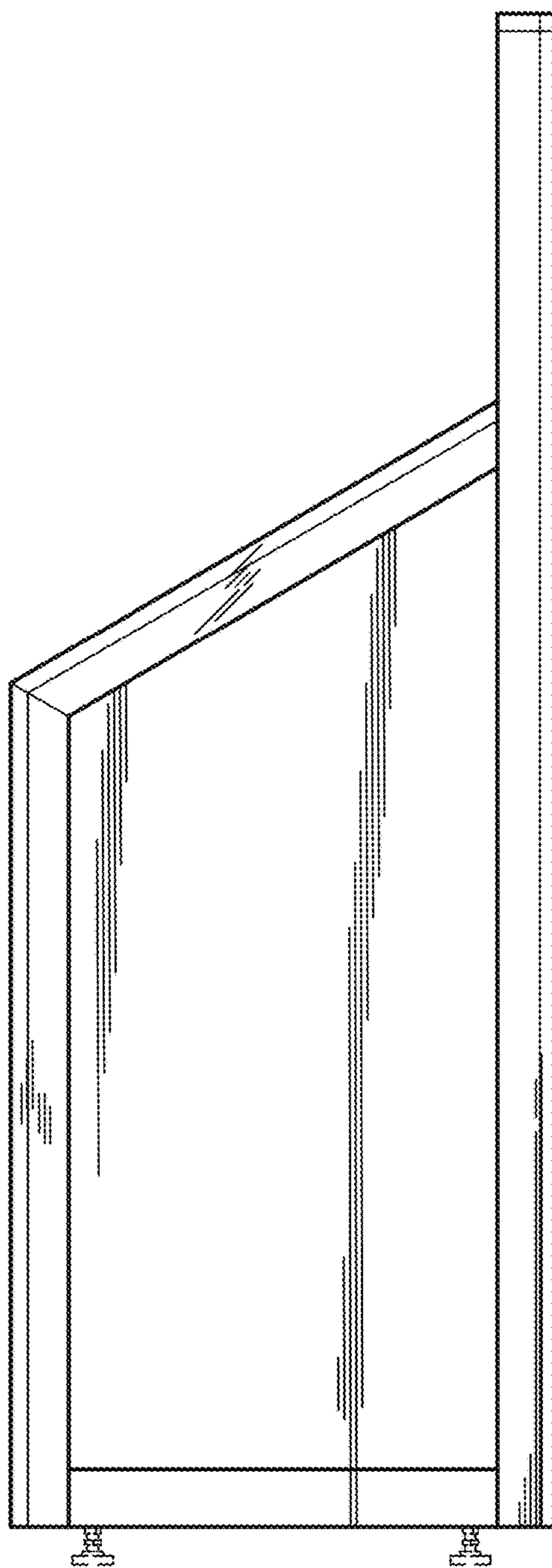


FIG. 4

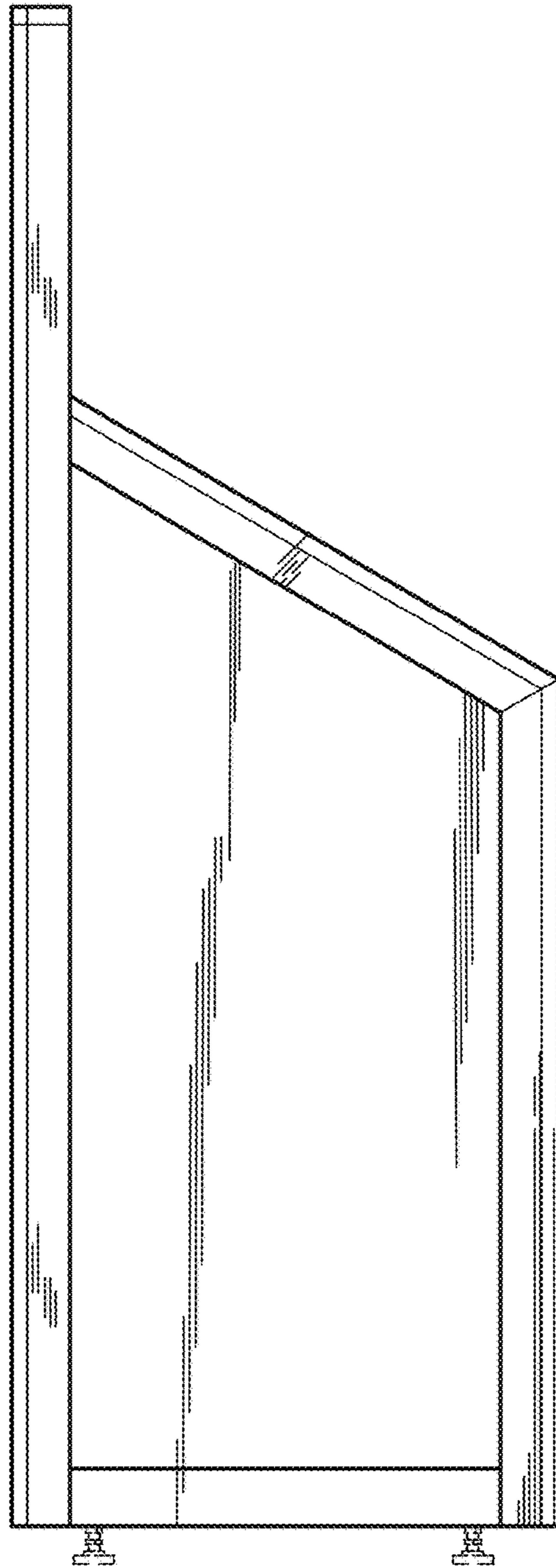


FIG. 5

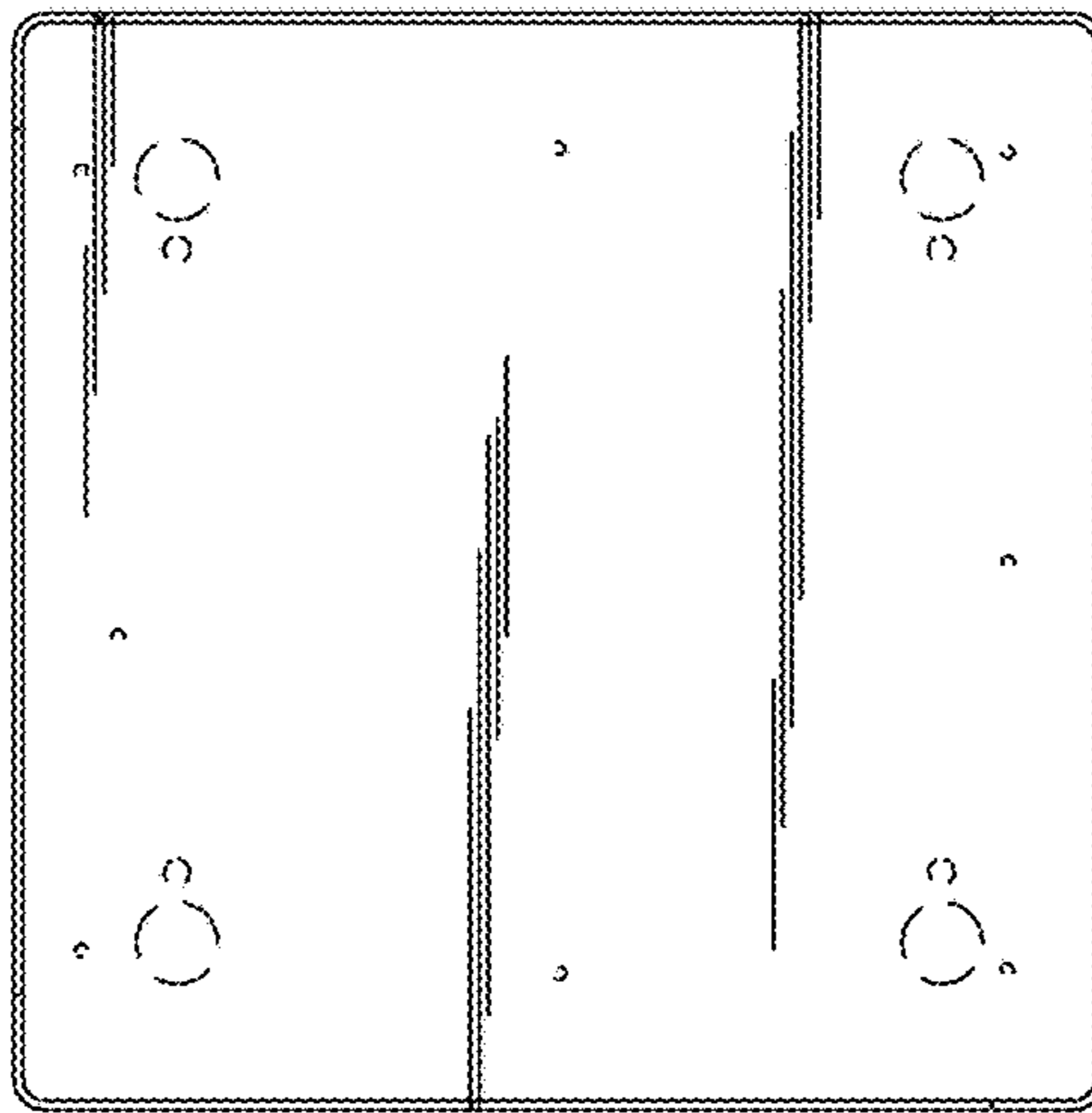


FIG. 6

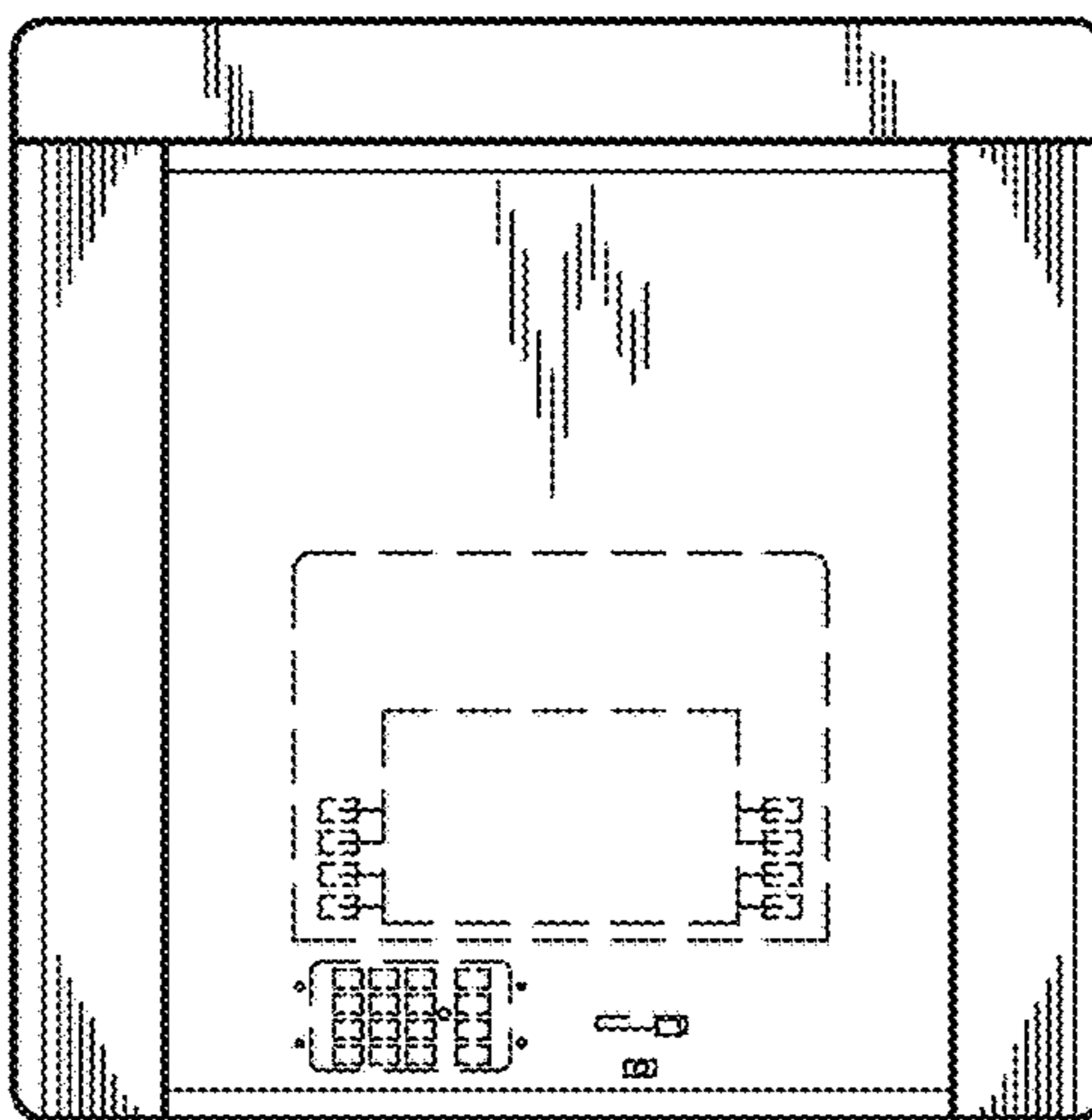


FIG. 7