



US00D850050S

(12) **United States Design Patent**
Rogers

(10) **Patent No.:** **US D850,050 S**

(45) **Date of Patent:** **** May 28, 2019**

- (54) **AUTOMATIC BACK WASHER**
- (71) Applicant: **Emma Rogers**, Crofton, MD (US)
- (72) Inventor: **Emma Rogers**, Crofton, MD (US)
- (**) Term: **15 Years**
- (21) Appl. No.: **29/601,680**
- (22) Filed: **Apr. 25, 2017**
- (51) **LOC (11) Cl.** **28-03**
- (52) **U.S. Cl.**
USPC **D32/63; D28/45**
- (58) **Field of Classification Search**
USPC D32/40, 35, 45; D28/63; D4/137, 138,
D4/199
CPC A47K 7/024; A47K 7/02; A47K 7/022;
A47L 13/16
See application file for complete search history.

| | | | | | |
|--------------|------|---------|-----------------|-------|-------------------------|
| 6,174,296 | B1 * | 1/2001 | Wang | | A61H 7/004 4/606 |
| 7,120,947 | B1 * | 10/2006 | Magallanes | | A47K 7/024 4/606 |
| 7,434,287 | B1 * | 10/2008 | Borges | | A47K 7/024 15/104.92 |
| 7,451,513 | B2 * | 11/2008 | Torres | | A47K 7/024 15/21.1 |
| D677,003 | S * | 2/2013 | Jones | | D28/63 |
| 9,271,614 | B2 * | 3/2016 | Rowles | | A47K 7/024 |
| D776,353 | S * | 1/2017 | Jones | | D28/63 |
| D780,999 | S * | 3/2017 | Price, III | | D28/63 |
| 9,907,440 | B2 * | 3/2018 | McClellan | | A47K 7/024 |
| 2010/0319153 | A1 * | 12/2010 | Chen | | A47K 7/024 15/210.1 |
| 2011/0196272 | A1 * | 8/2011 | Galindo Sanchez | .. | A47K 7/024 601/114 |

* cited by examiner

Primary Examiner — Michelle E. Wilson
(74) *Attorney, Agent, or Firm* — IPS Legal Group, P.A.;
Jocelyn S. Brown, Esq.

(56) **References Cited**

U.S. PATENT DOCUMENTS

| | | | | | |
|-----------|-----|---------|--------------|-------|------------------------|
| 1,520,184 | A * | 12/1924 | Hogg | | D01B 3/08 68/97 |
| 4,432,113 | A * | 2/1984 | Gouge | | A47K 7/04 15/88.2 |
| 4,696,068 | A * | 9/1987 | Kenner | | A47K 7/024 15/210.1 |
| D297,376 | S * | 8/1988 | Bastedo | | D28/63 |
| 5,490,302 | A * | 2/1996 | Dion | | A47K 7/022 15/210.1 |
| D384,436 | S * | 9/1997 | Kelley | | D28/63 |
| 5,769,802 | A * | 6/1998 | Wang | | A46B 13/06 601/114 |
| D409,337 | S * | 5/1999 | Johnson, Jr. | | D28/63 |

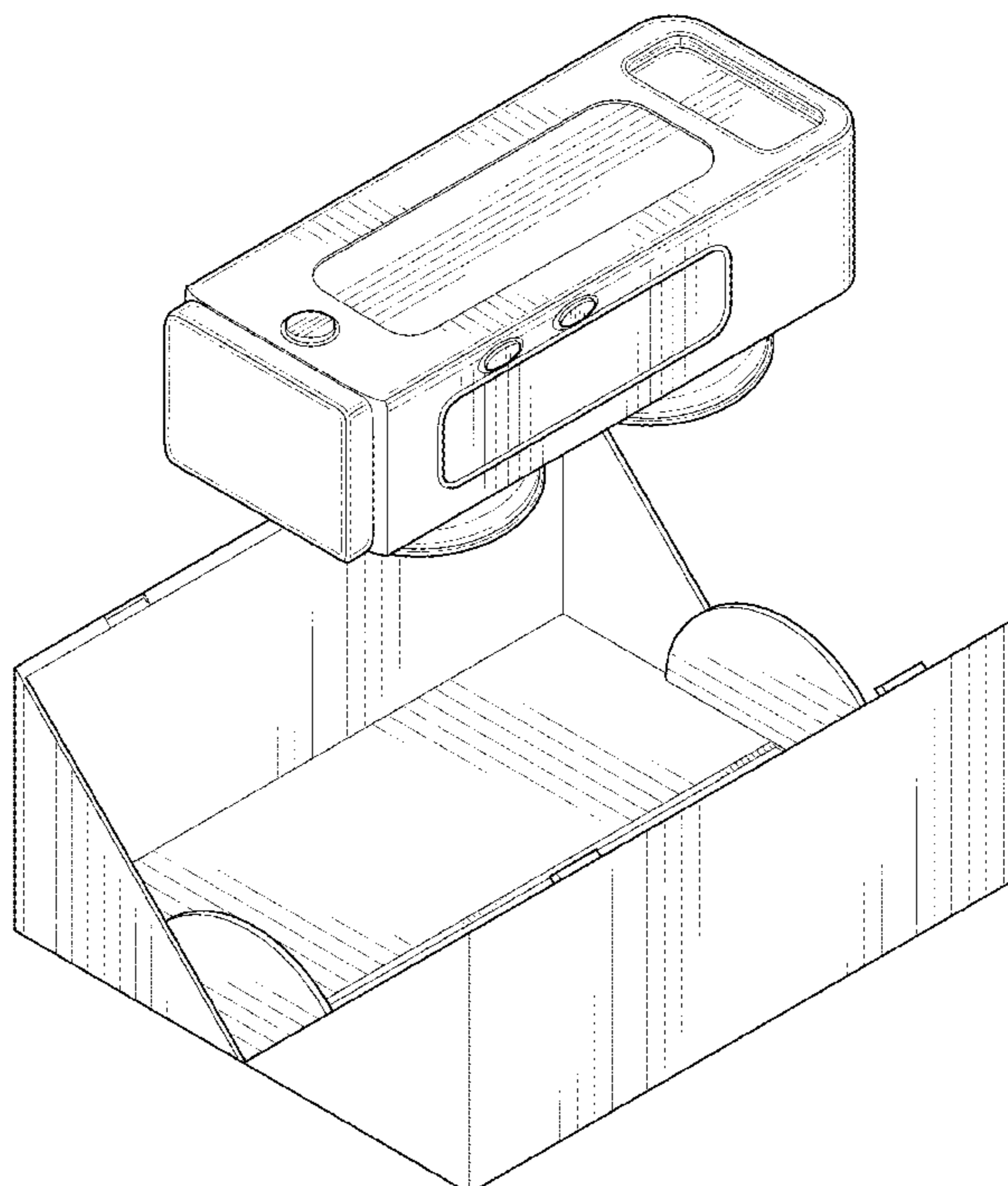
(57) **CLAIM**

An ornamental design for automatic back washer, as shown.

DESCRIPTION

FIG. 1 is a top perspective view of the present invention.
FIG. 2 is a bottom perspective view of the present invention.
FIG. 3 is a front view of the present invention.
FIG. 4 is a back view of the present invention.
FIG. 5 is a left view of the present invention.
FIG. 6 is a right view of the present invention.
FIG. 7 is a top view of the present invention; and,
FIG. 8 is a bottom view of the present invention.

1 Claim, 8 Drawing Sheets



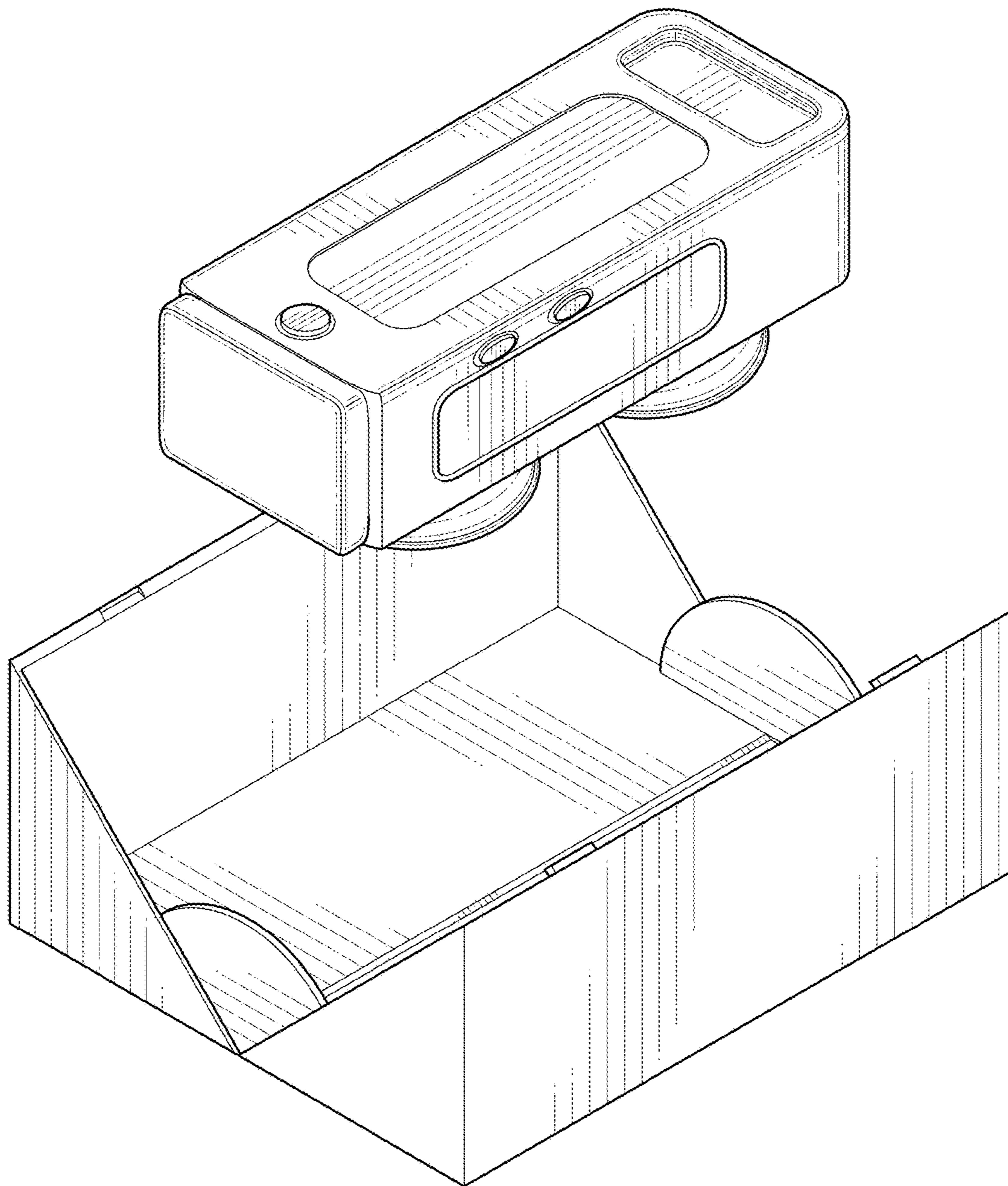


FIG. 1

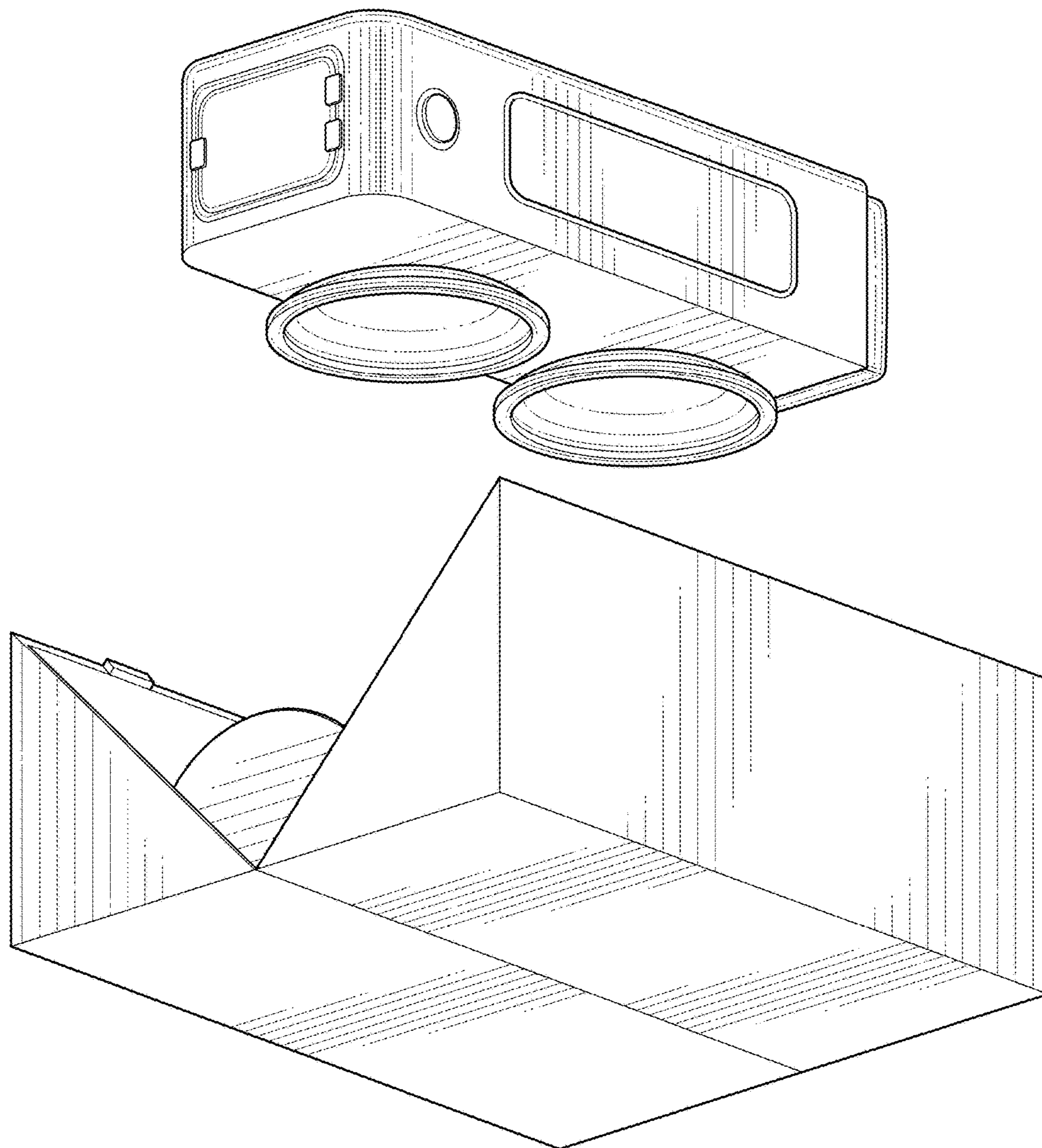


FIG. 2

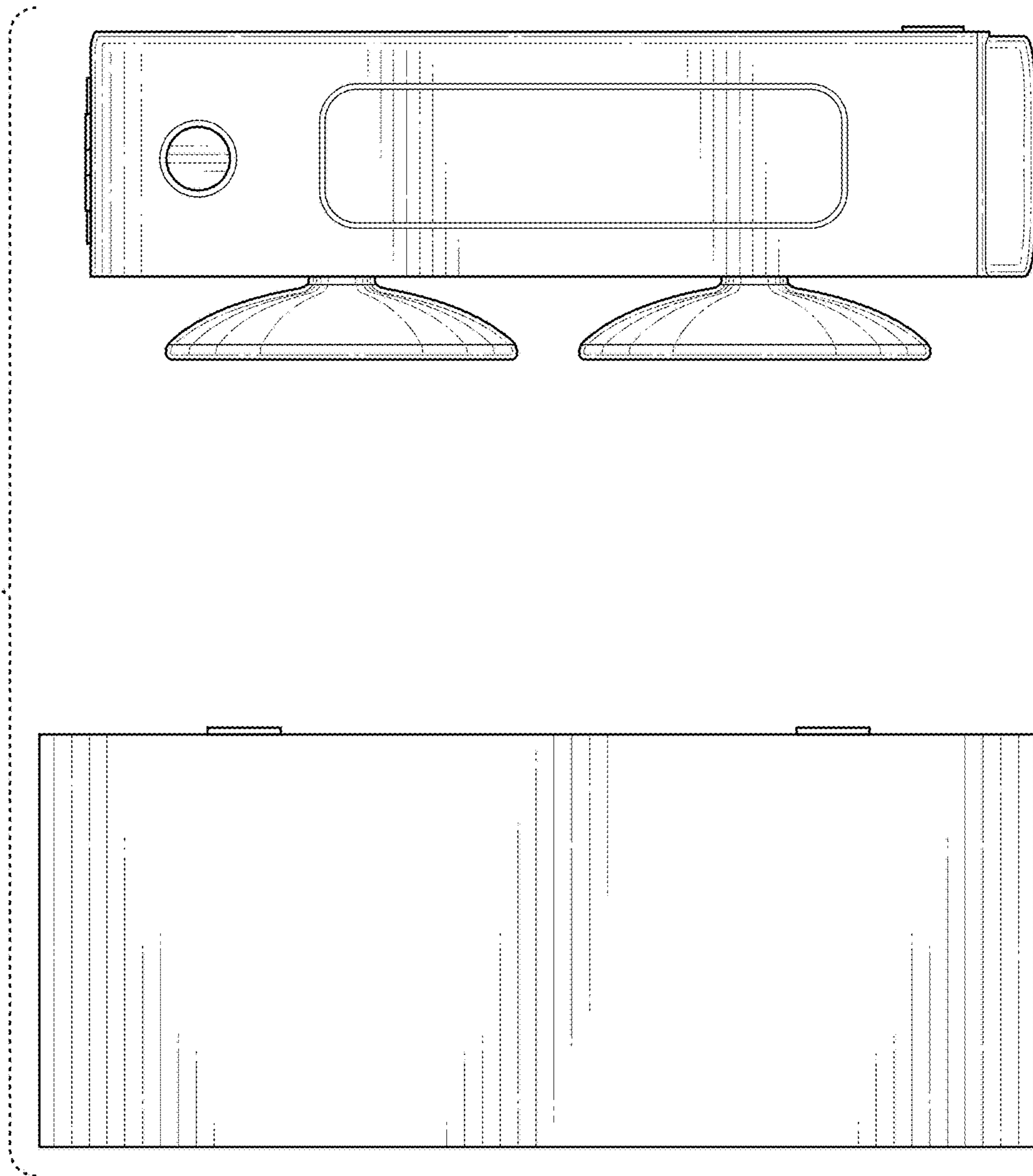


FIG. 3

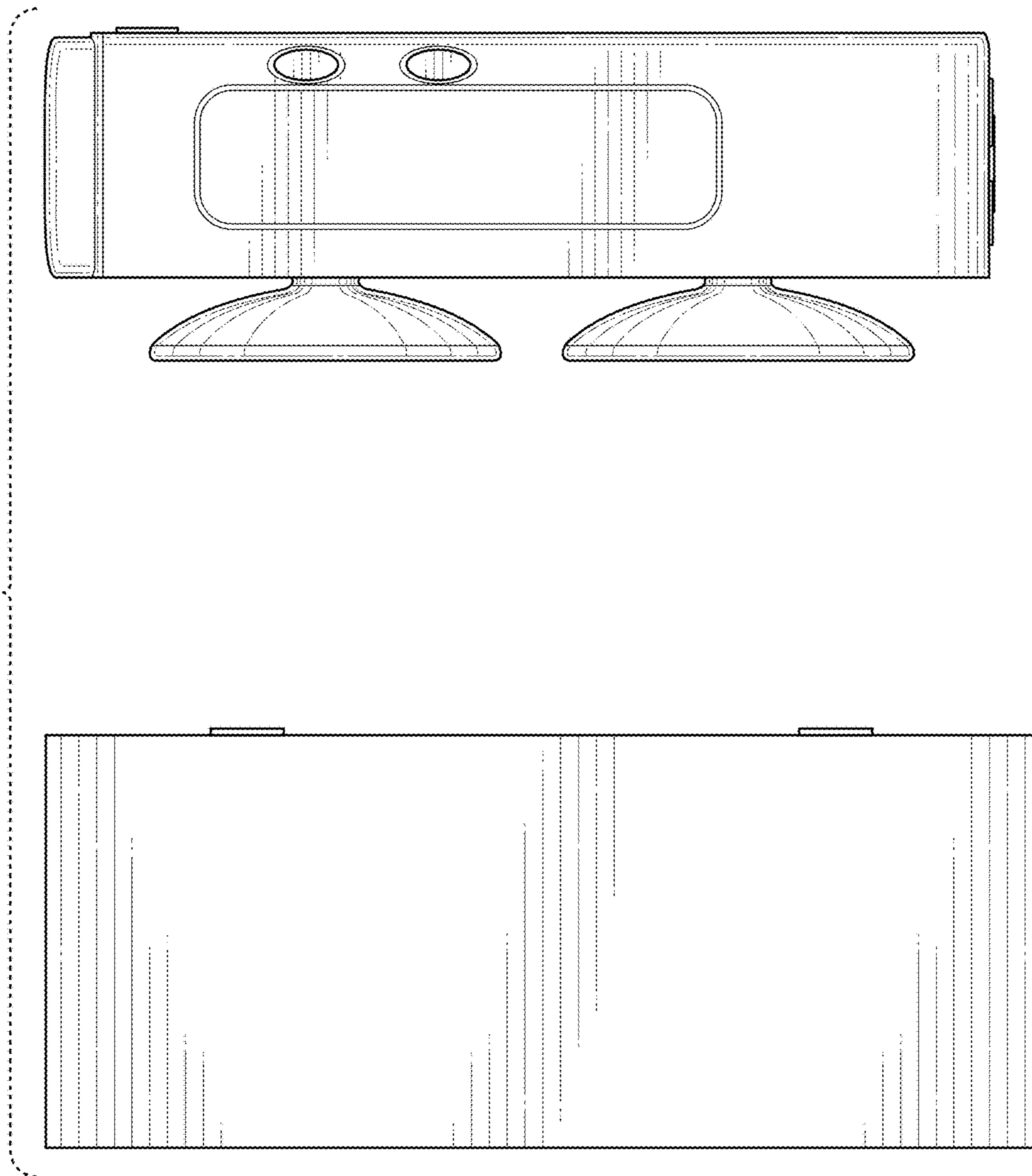


FIG. 4

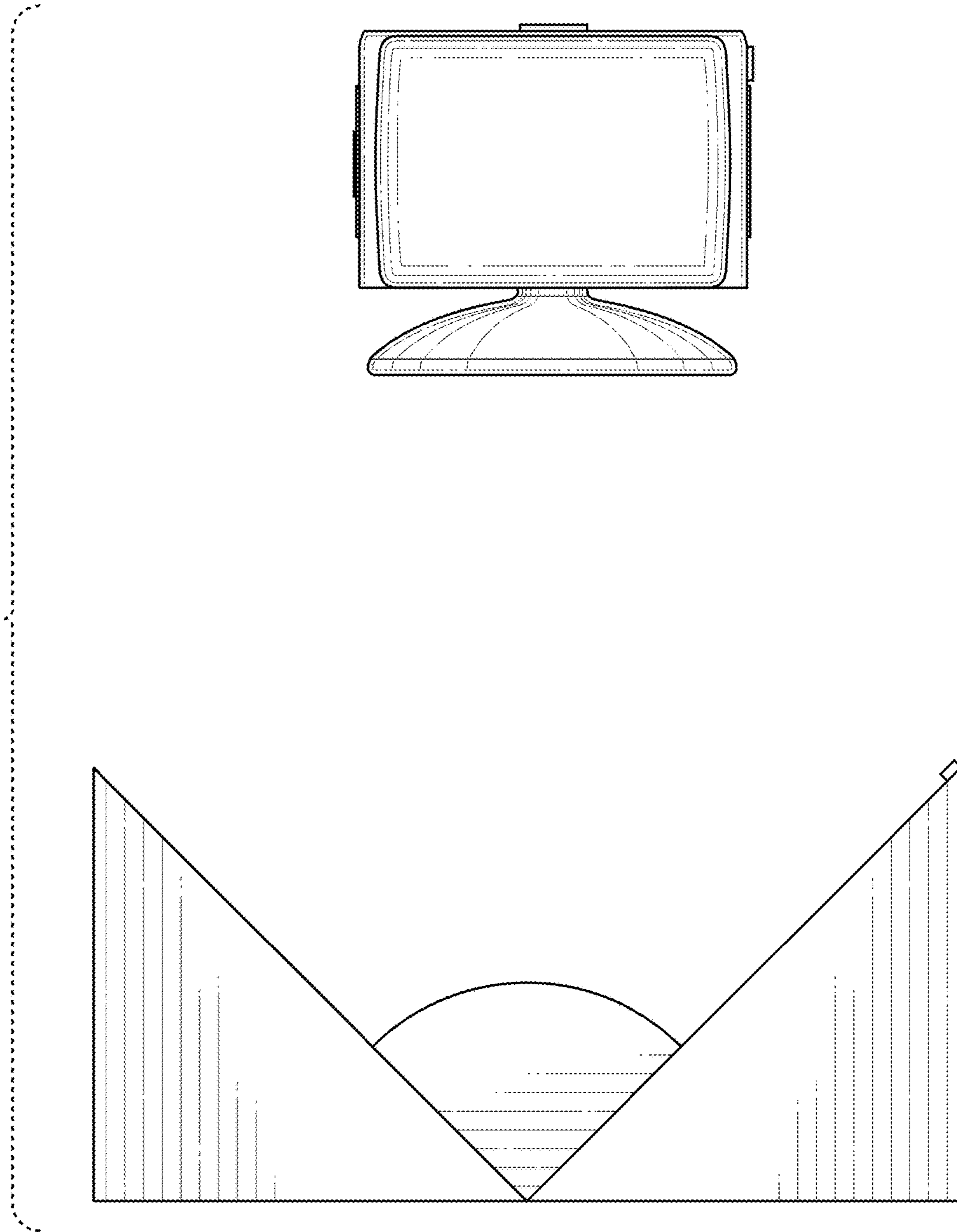


FIG. 5

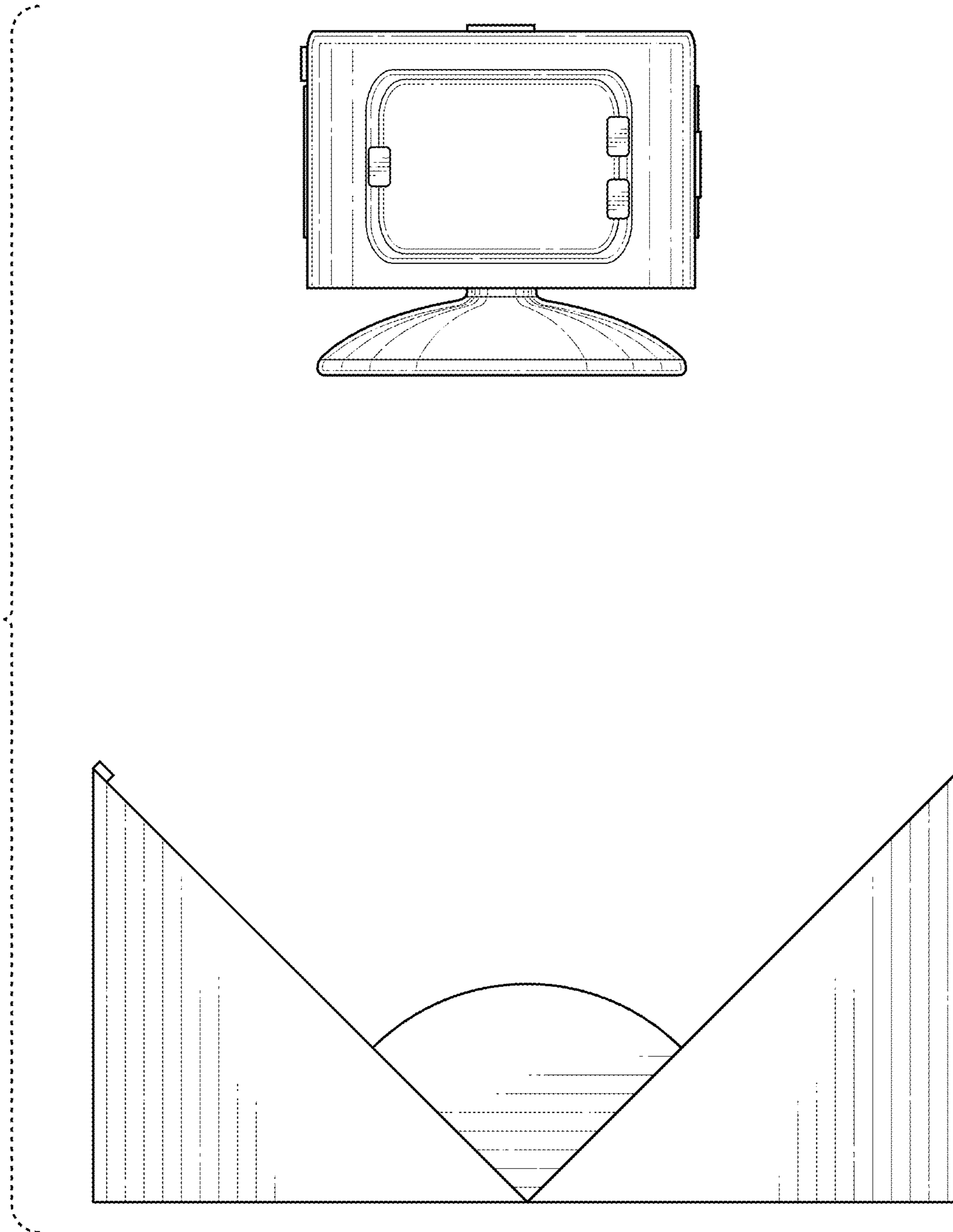


FIG. 6

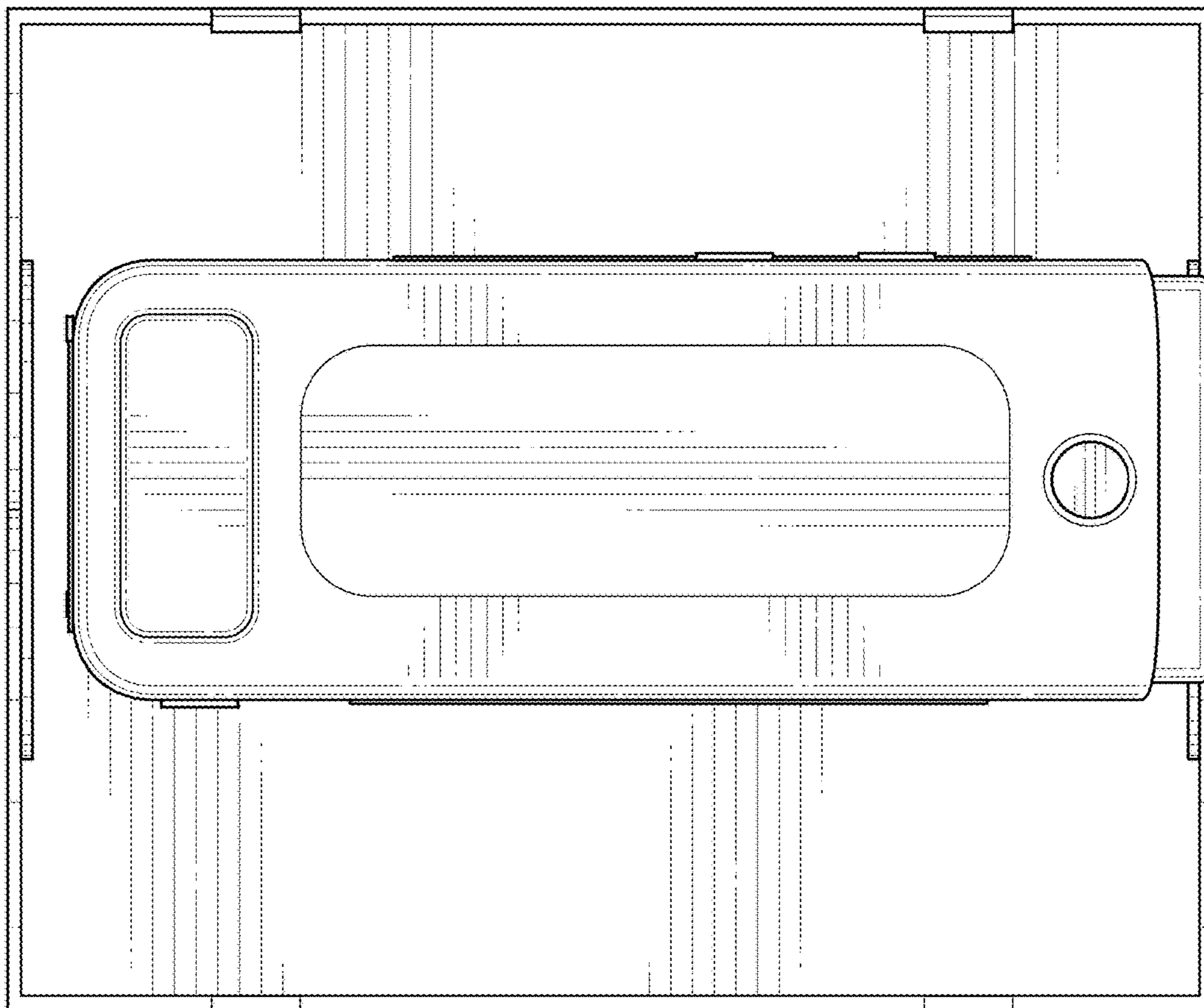


FIG. 7

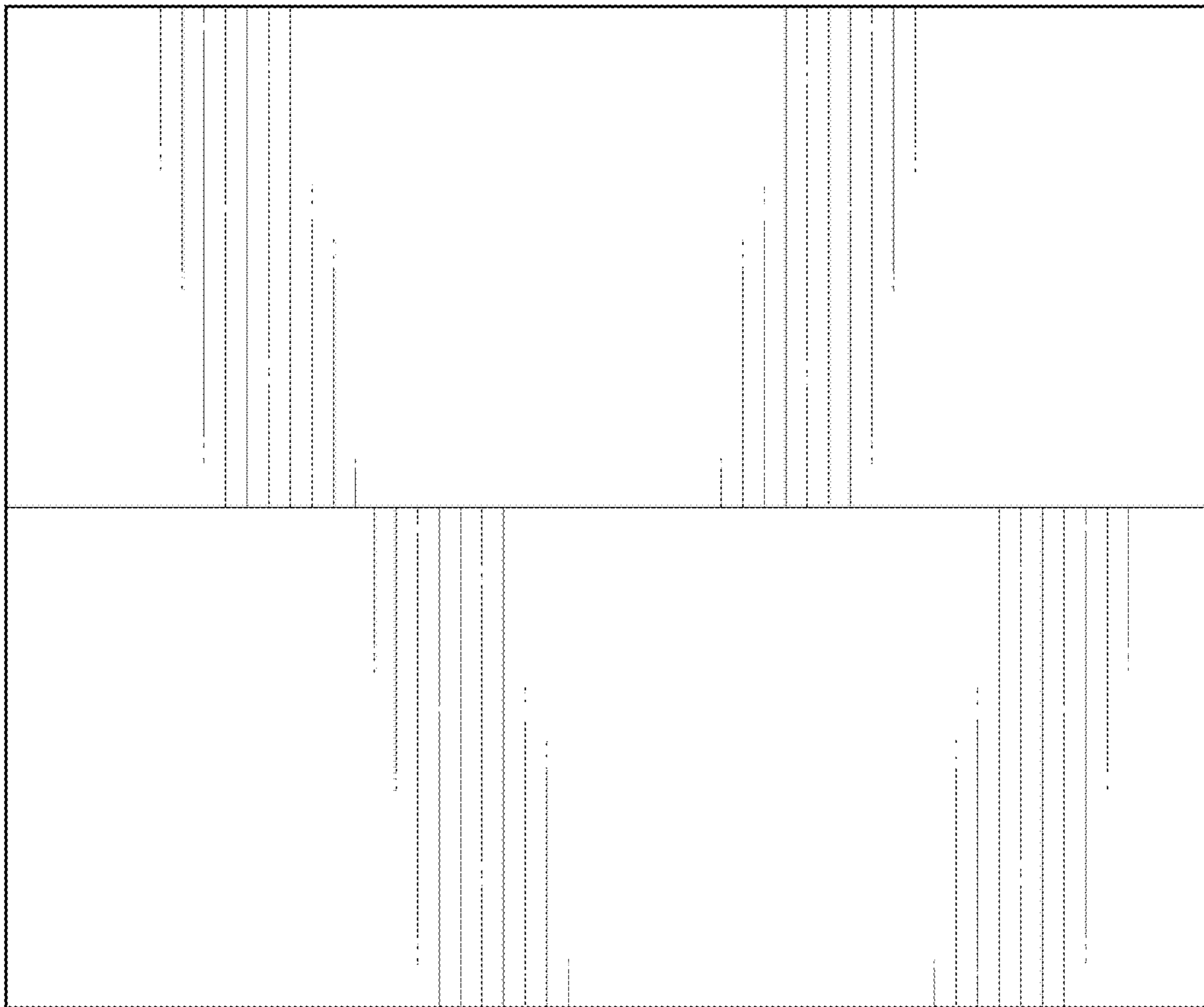


FIG. 8