



US00D850049S

(12) **United States Design Patent**  
**Casper**

(10) **Patent No.:** **US D850,049 S**

(45) **Date of Patent:** **\*\* May 28, 2019**

(54) **PAINT CUP**

(71) Applicant: **Transparent Container Co., Inc.**,  
Downers Grove, IL (US)

(72) Inventor: **Bartholomew J. Casper**, Downers  
Grove, IL (US)

(73) Assignee: **Rohrer Corporation**, Wadsworth, OH  
(US)

(\*\*) Term: **15 Years**

(21) Appl. No.: **29/668,894**

(22) Filed: **Nov. 2, 2018**

(51) **LOC (11) Cl.** ..... **07-07**

(52) **U.S. Cl.**  
USPC ..... **D32/53.1**

(58) **Field of Classification Search**  
USPC ..... D32/53, 53.1, 54  
CPC ..... B44D 3/12; B44D 3/123; B44D 3/125;  
B44D 3/126; B44D 3/128; A47B 17/00;  
A47L 13/50; A47J 47/18  
See application file for complete search history.

(56) **References Cited**

**U.S. PATENT DOCUMENTS**

D346,054 S \* 4/1994 Spangler ..... D32/54  
D358,914 S \* 5/1995 Masse ..... D32/54  
D405,574 S \* 2/1999 Riky ..... D32/54  
D457,995 S \* 5/2002 Clark ..... D32/53.1  
D481,502 S \* 10/2003 Clark ..... D32/53.1

D629,986 S \* 12/2010 Clark ..... D32/53.1  
D652,597 S \* 1/2012 Clark, Jr. .... D32/53.1  
D702,907 S \* 4/2014 Bergman ..... D32/54  
D738,057 S \* 9/2015 Arvinte ..... D32/53.1  
D794,892 S \* 8/2017 Bergman ..... D32/53.1  
D834,779 S \* 11/2018 Erdfarb ..... D32/53.1

\* cited by examiner

*Primary Examiner* — Robin V Webster

(74) *Attorney, Agent, or Firm* — Greenberg Traurig, LLP

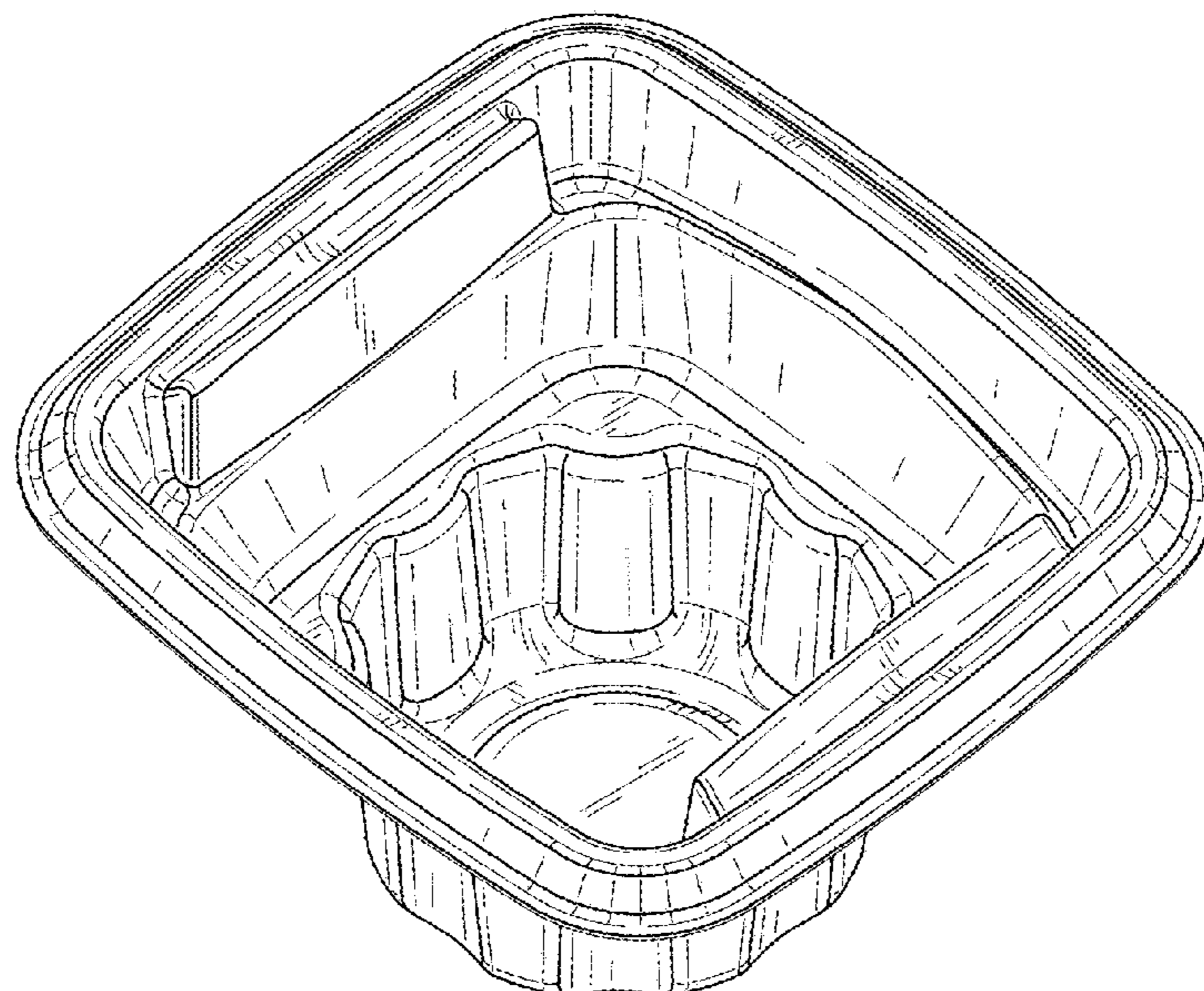
(57) **CLAIM**

The ornamental design for a paint cup, as shown and described.

**DESCRIPTION**

FIG. 1 is a top perspective view of a paint cup showing my new design;  
FIG. 2 is bottom perspective view of the paint cup of FIG. 1;  
FIG. 3 is a front side elevational view of the paint cup of FIG. 1;  
FIG. 4 is a rear side elevational view of the paint cup of FIG. 1;  
FIG. 5 is a right side elevational view of the paint cup of FIG. 1;  
FIG. 6 is a left side elevational view of the paint cup of FIG. 1;  
FIG. 7 is a top plan view of the paint cup of FIG. 1; and,  
FIG. 8 is a bottom plan view of the paint cup of FIG. 1.

**1 Claim, 6 Drawing Sheets**



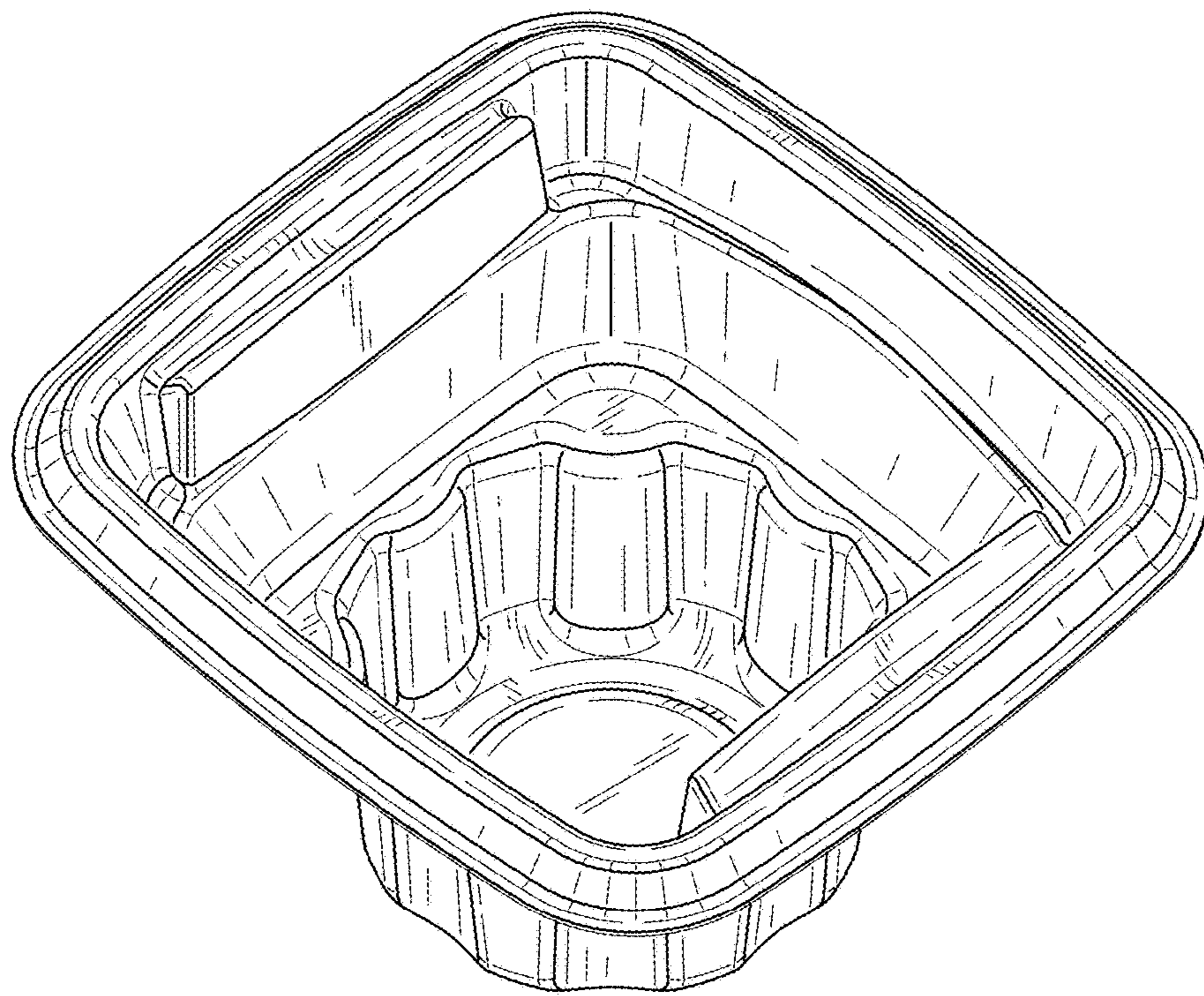


FIG. 1

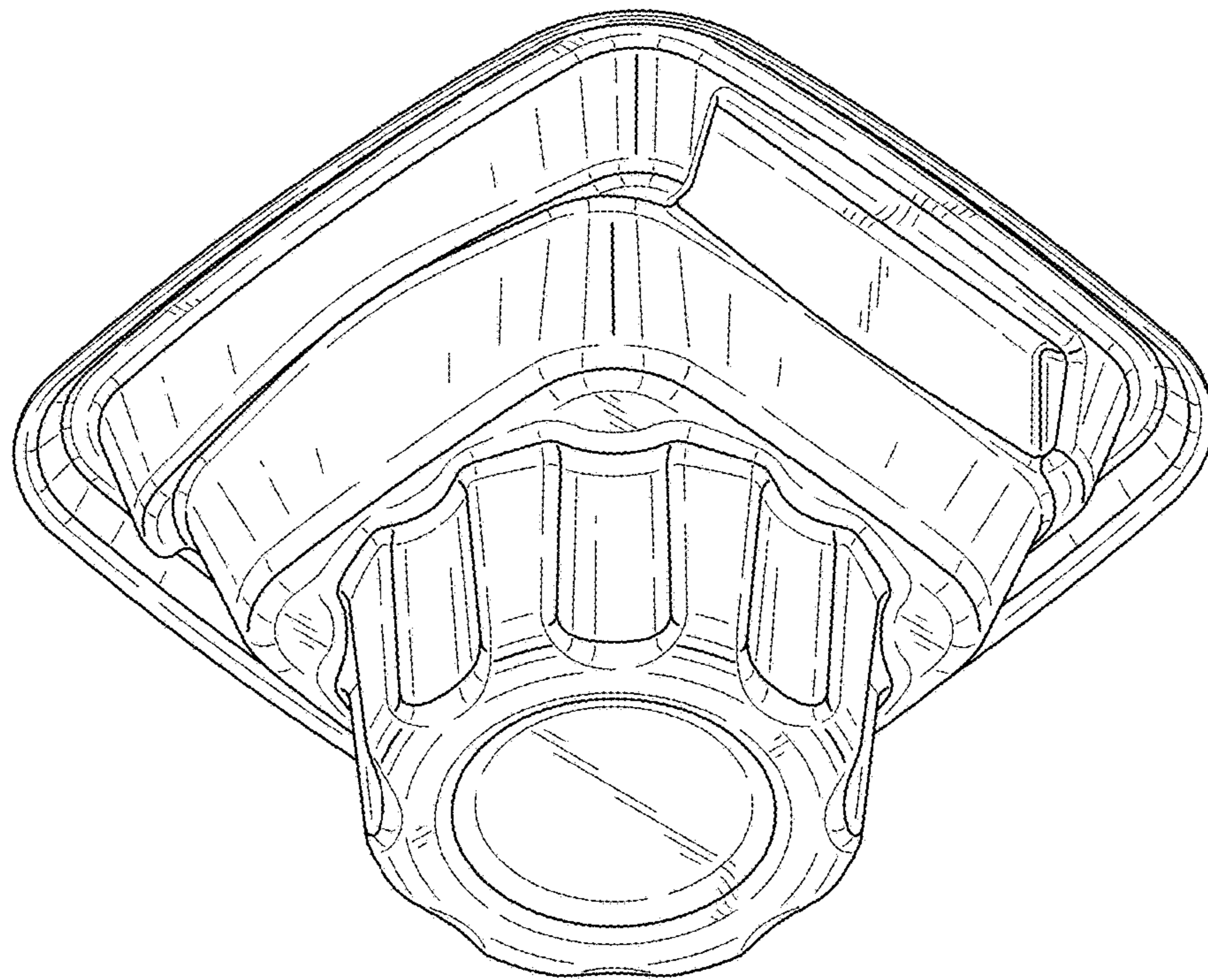


FIG. 2

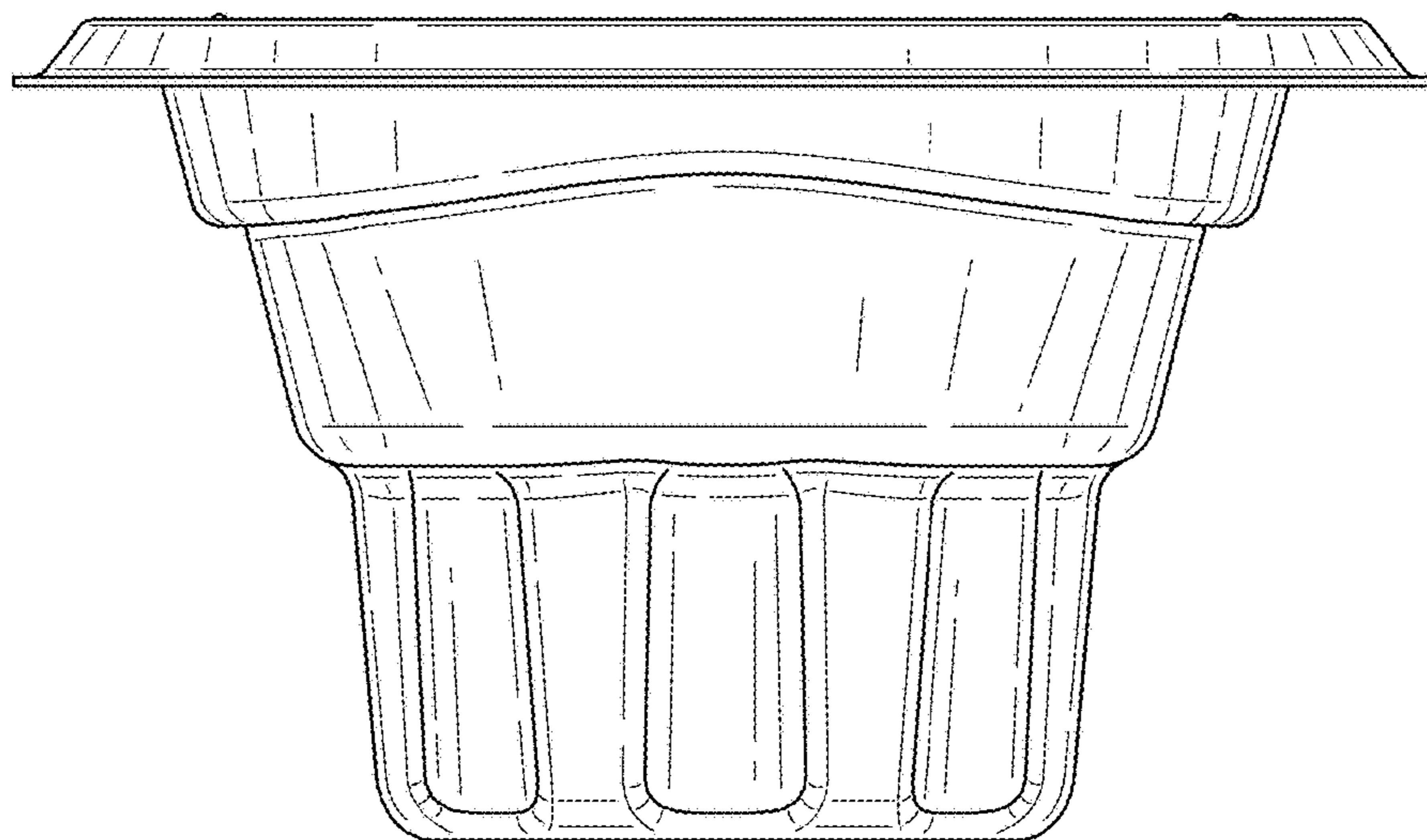


FIG. 3

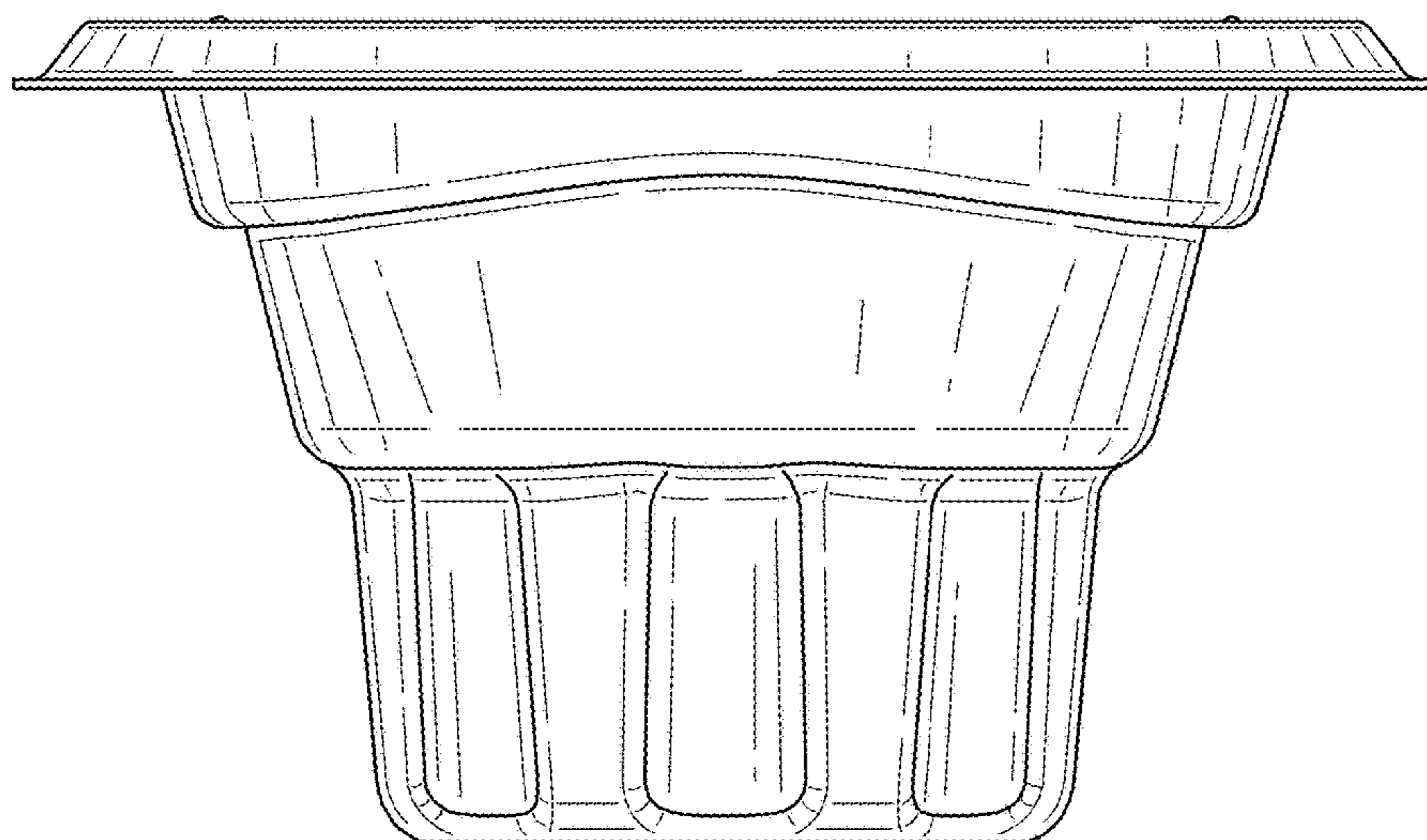


FIG. 4

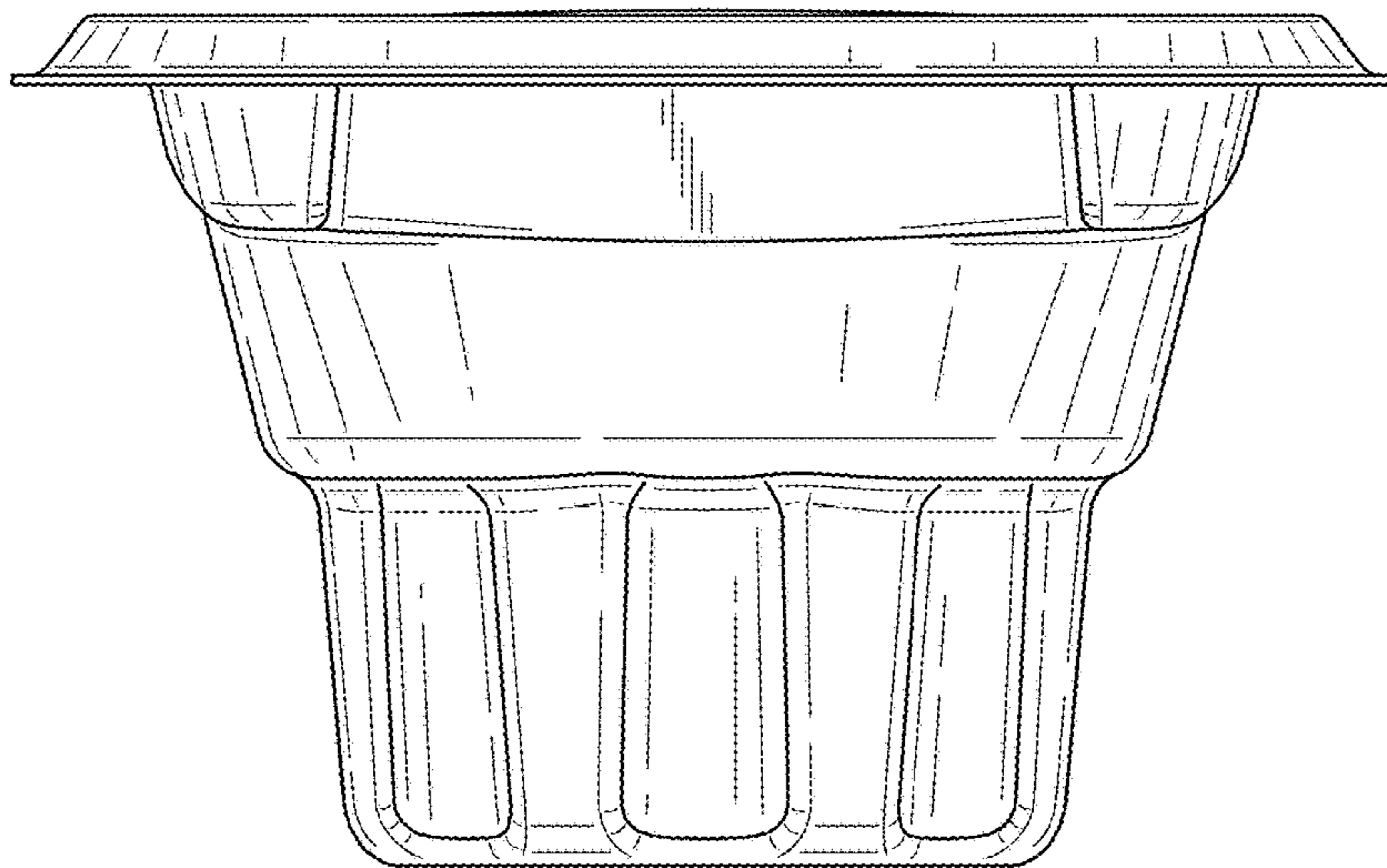


FIG. 5

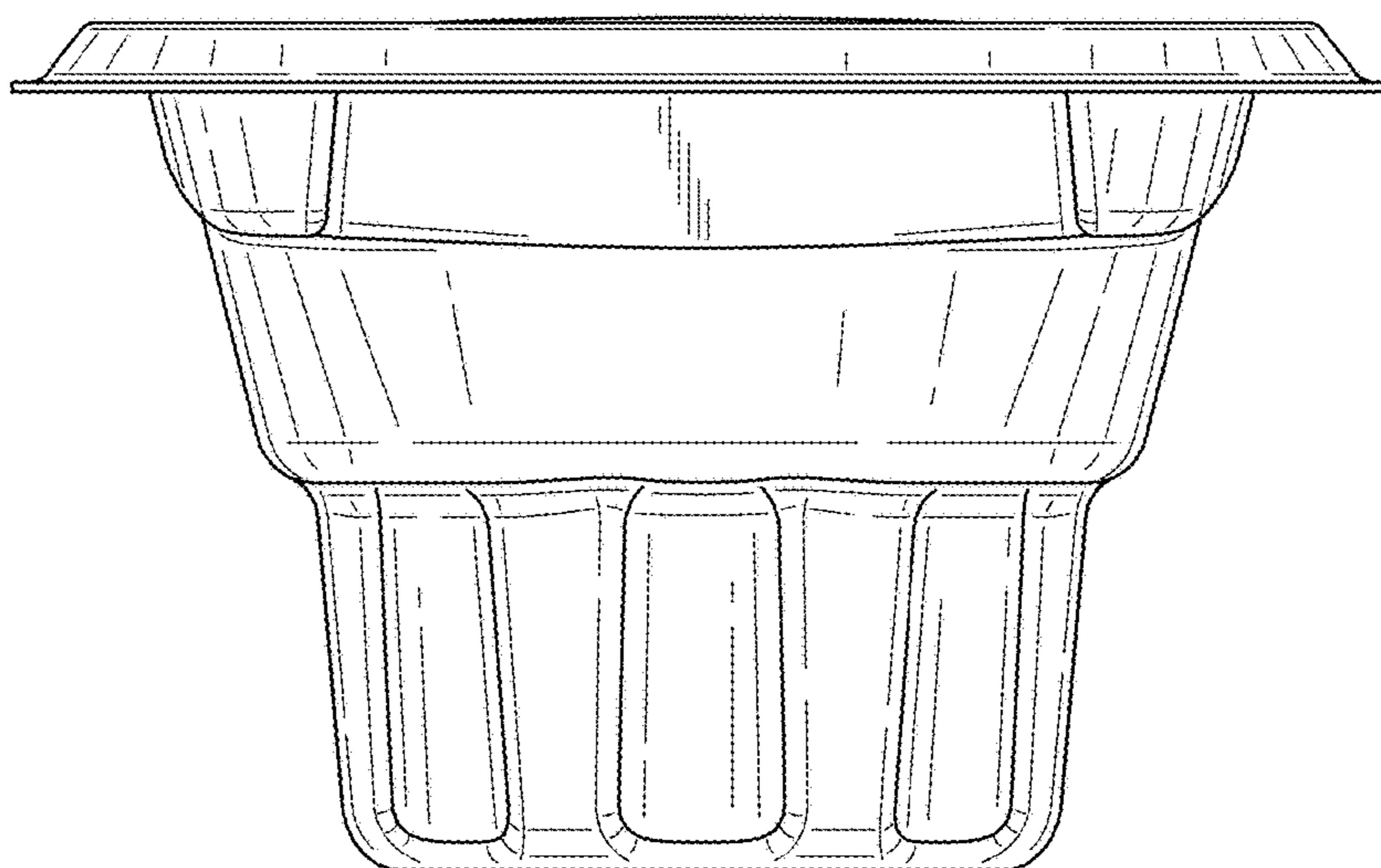


FIG. 6

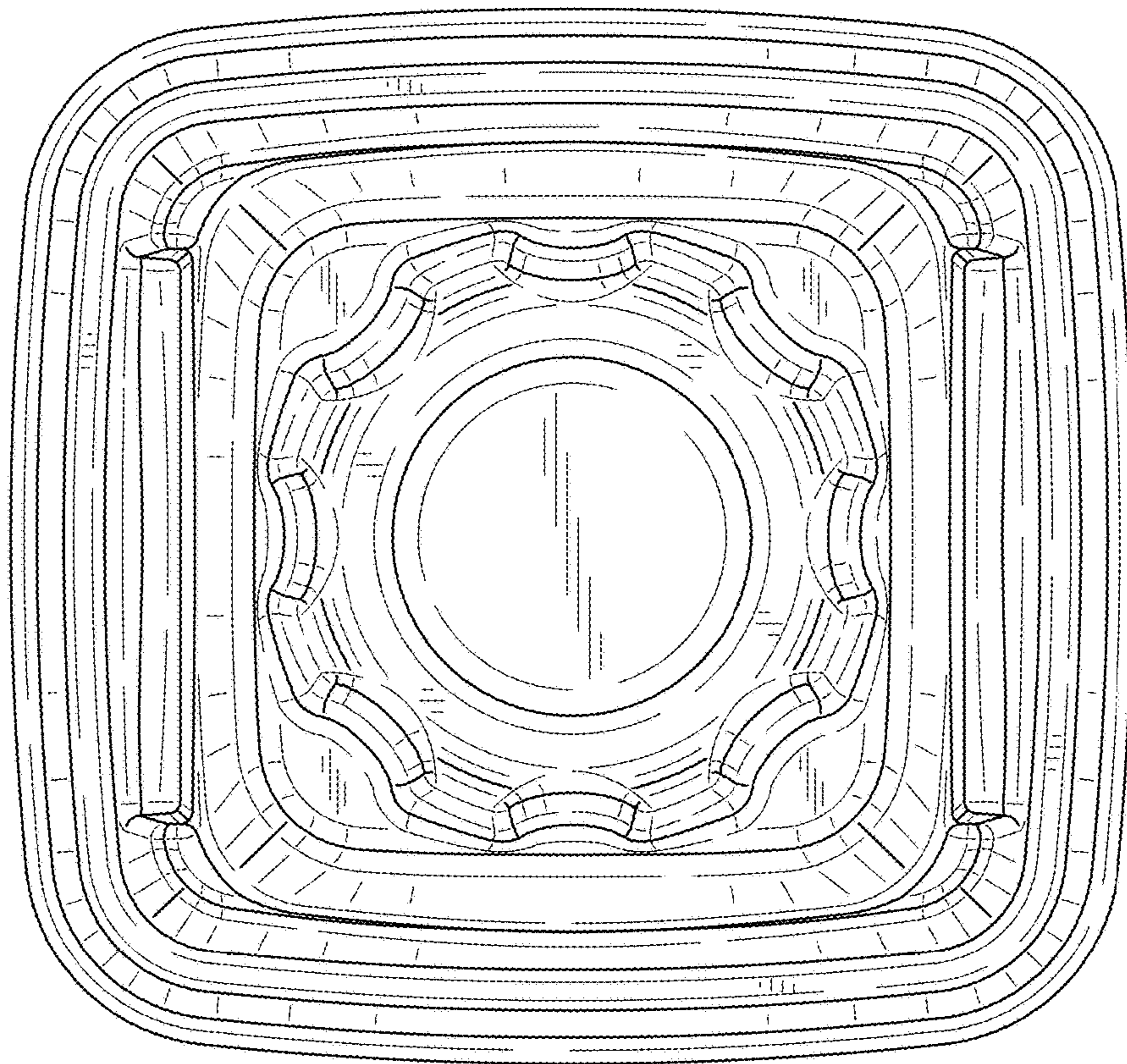


FIG. 7

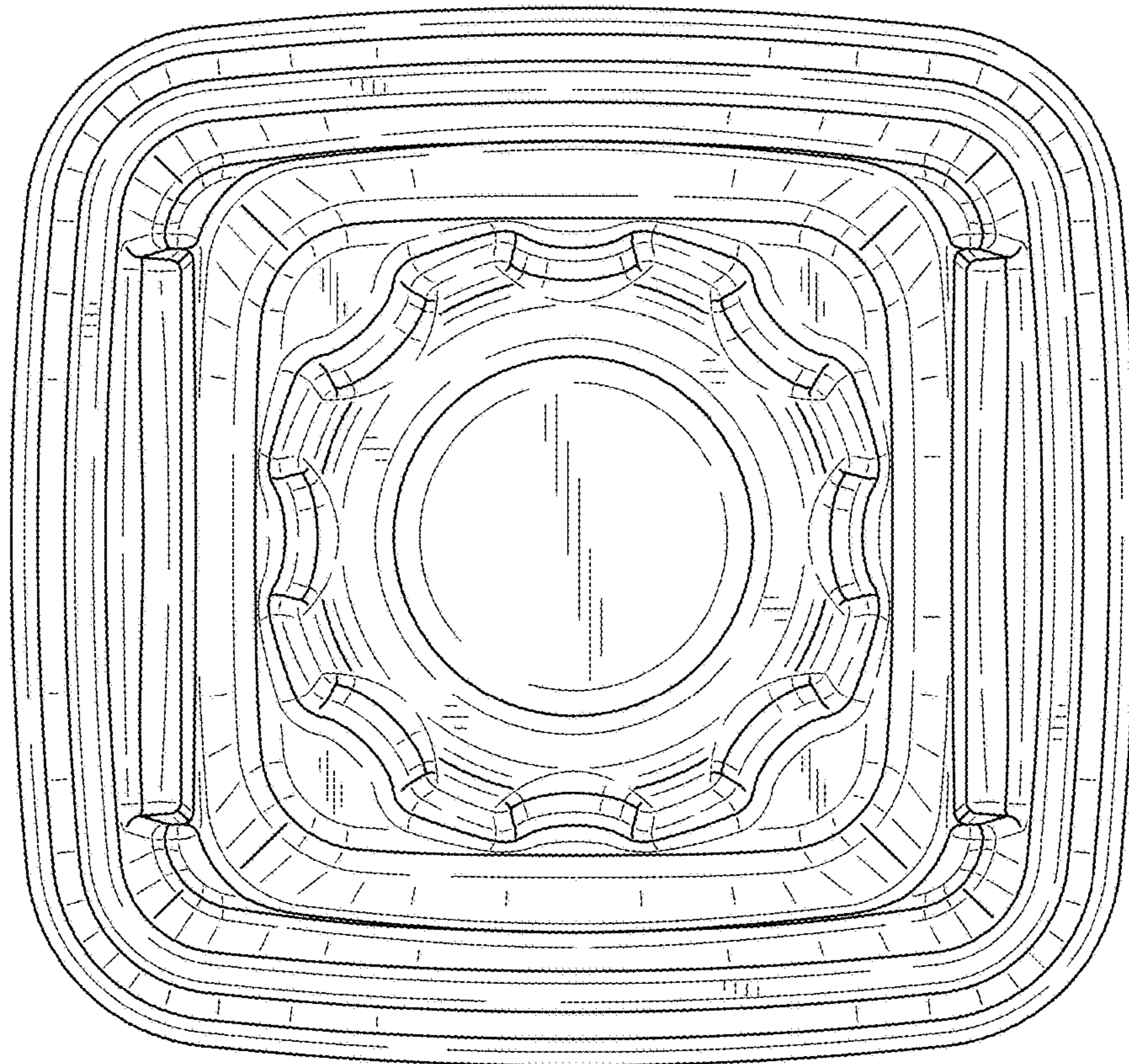


FIG. 8