



US00D850048S

(12) **United States Design Patent**
Casper

(10) **Patent No.:** **US D850,048 S**

(45) **Date of Patent:** **** May 28, 2019**

(54) **PAINT TRAY**

(71) Applicant: **Rohrer Corporation**, Wadsworth, OH
(US)

(72) Inventor: **Bartholomew J. Casper**, Downers
Grove, IL (US)

(73) Assignee: **Rohrer Corporation**, Wadsworth, OH
(US)

(**) Term: **15 Years**

(21) Appl. No.: **29/668,886**

(22) Filed: **Nov. 2, 2018**

(51) **LOC (11) Cl.** **07-07**

(52) **U.S. Cl.**
USPC **D32/53.1**

(58) **Field of Classification Search**
USPC D32/53, 53.1, 54
CPC B44D 3/12; B44D 3/123; B44D 3/125;
B44D 3/126; B44D 3/128; A47B 17/00;
A47L 13/50; A47J 47/18
See application file for complete search history.

(56) **References Cited**

U.S. PATENT DOCUMENTS

D223,864 S	*	6/1972	Vines	206/557
D264,897 S	*	6/1982	Smith	D32/53.1
D332,512 S	*	1/1993	Bernard	D32/53.1
D586,515 S	*	2/2009	Arvinte	D32/53.1
D604,920 S	*	11/2009	Bergman	D32/53.1

D613,016 S	*	3/2010	Bergman	D32/54
D668,412 S	*	10/2012	Bergman	D32/53.1
D675,391 S	*	1/2013	Arvinte	D32/53.1
D684,329 S	*	6/2013	Church	D32/53.1
D688,843 S	*	8/2013	Shea	D32/53.1
D785,888 S	*	5/2017	Hernandez	D32/53.1

* cited by examiner

Primary Examiner — Robin V Webster

(74) *Attorney, Agent, or Firm* — Greenberg Traurig, LLP

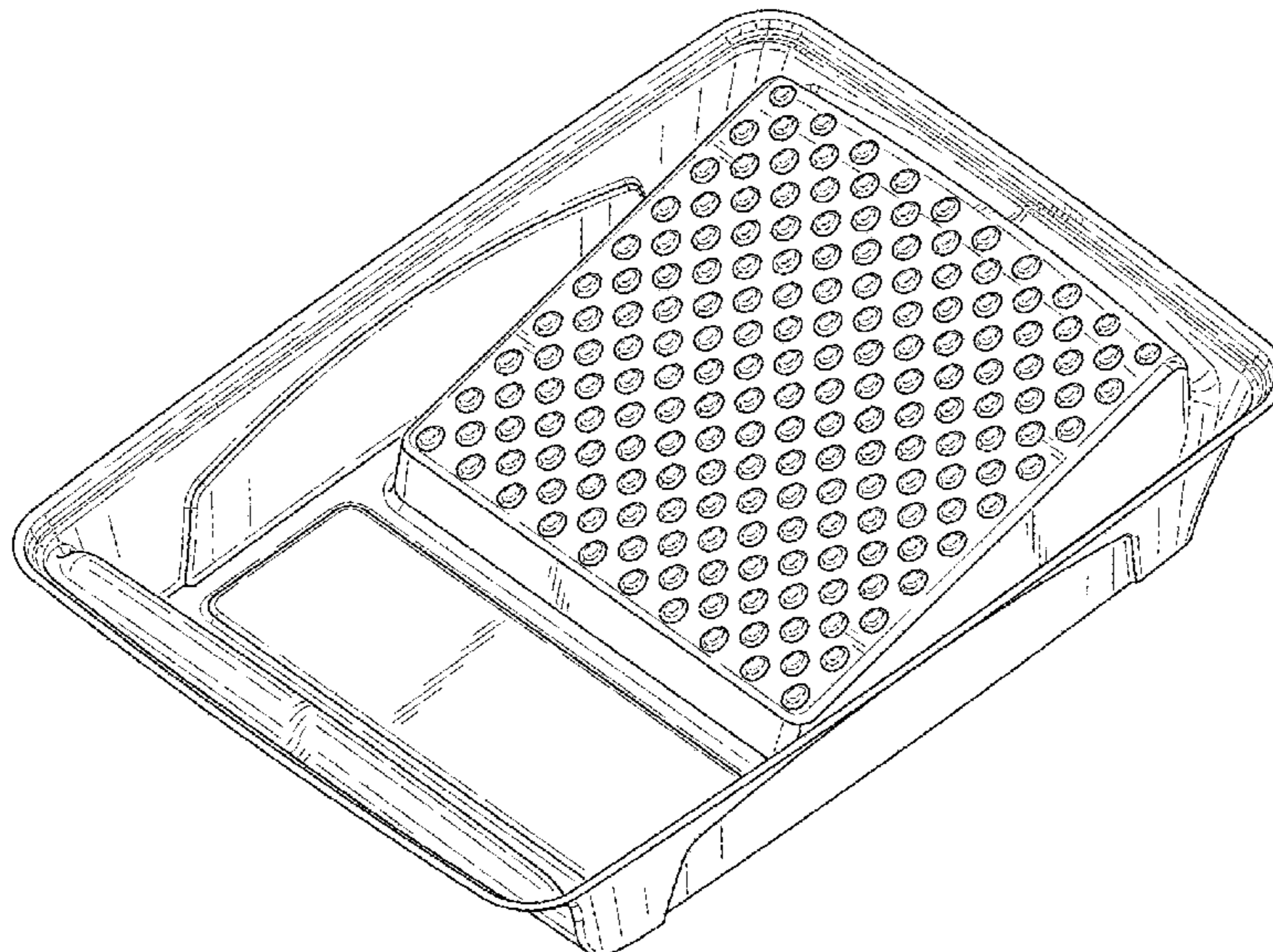
(57) **CLAIM**

The ornamental design for a paint tray, as shown and described.

DESCRIPTION

FIG. 1 is a top perspective view of a paint tray showing my new design;
 FIG. 2 is bottom perspective view of the paint tray of FIG. 1;
 FIG. 3 is a front side elevational view of the paint tray of FIG. 1;
 FIG. 4 is a rear side elevational view of the paint tray of FIG. 1;
 FIG. 5 is a right side elevational view of the paint tray of FIG. 1;
 FIG. 6 is a left side elevational view of the paint tray of FIG. 1;
 FIG. 7 is a top plan view of the paint tray of FIG. 1; and,
 FIG. 8 is a bottom plan view of the paint tray of FIG. 1.

1 Claim, 6 Drawing Sheets



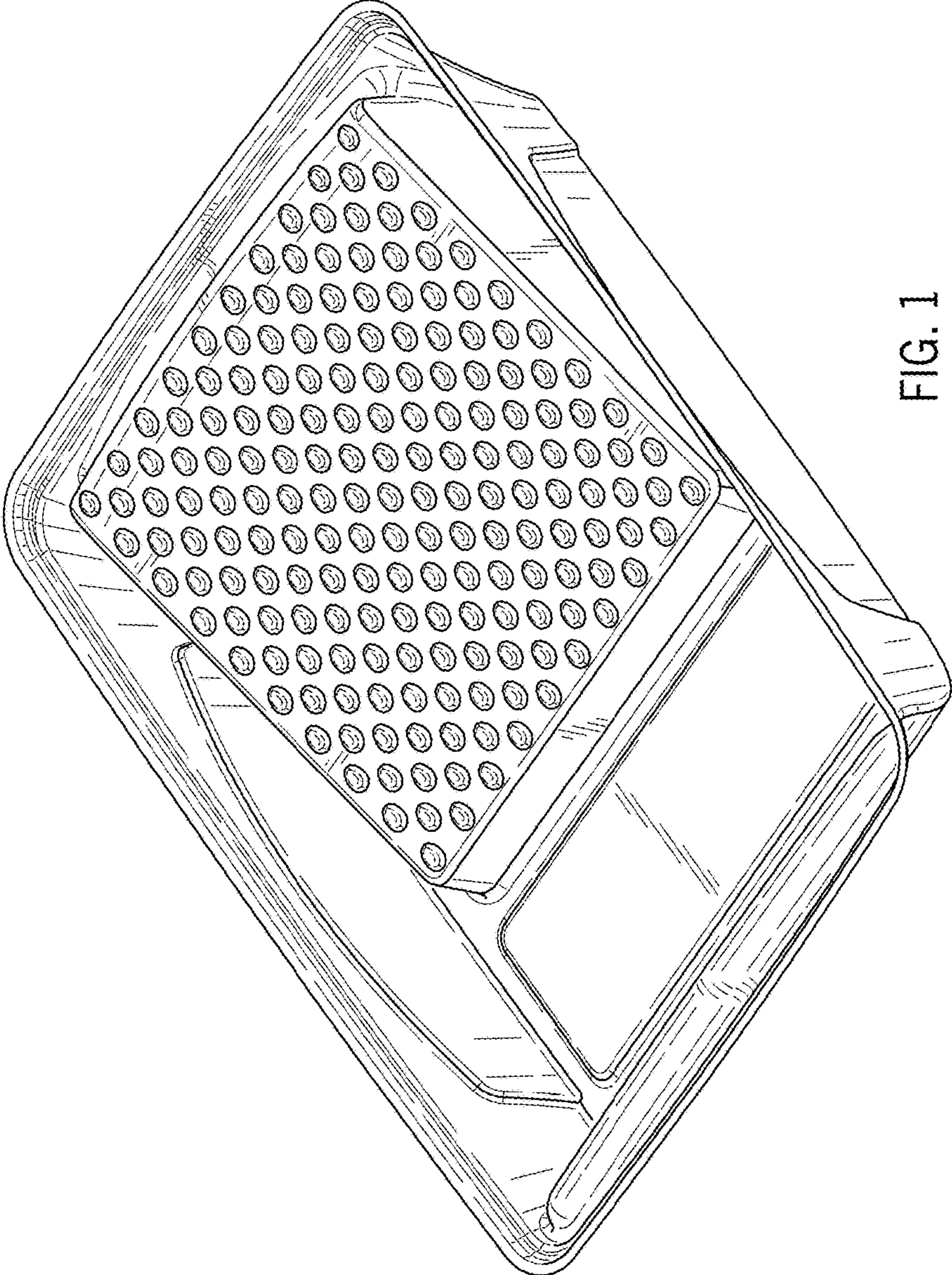


FIG. 1

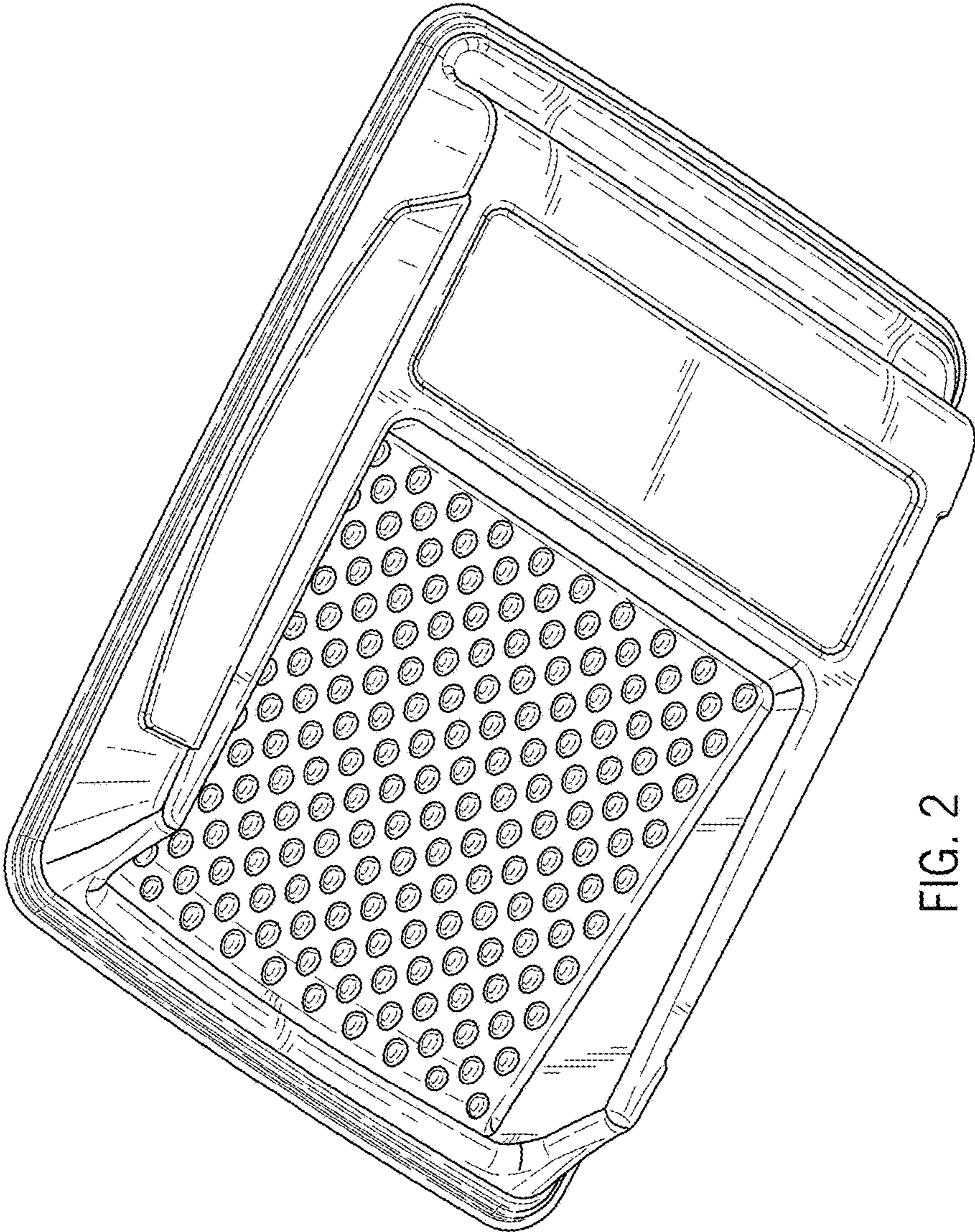


FIG. 2

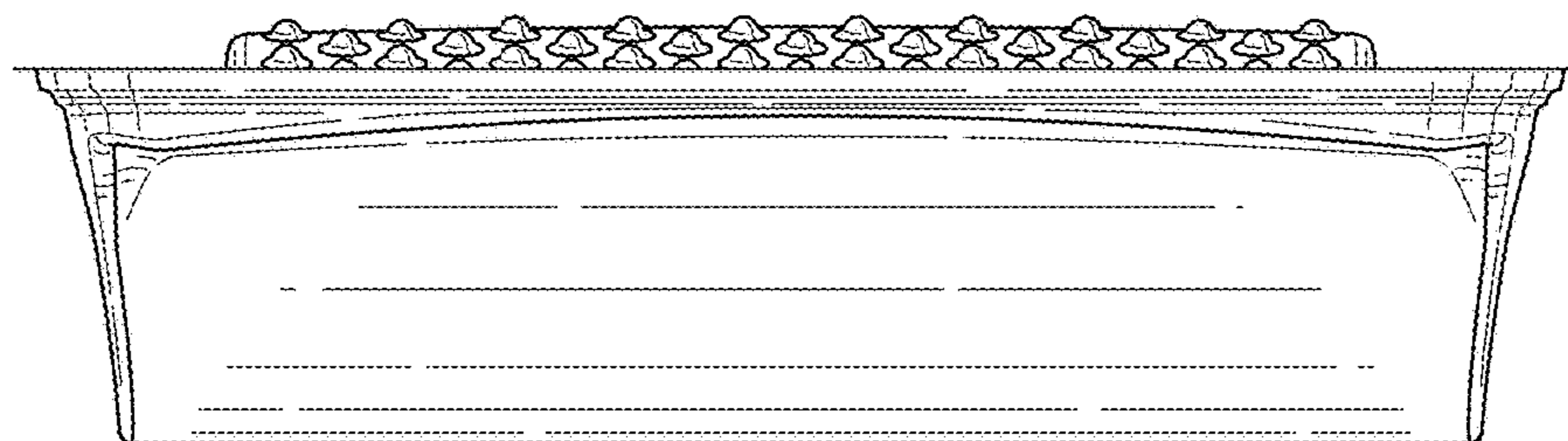


FIG. 3

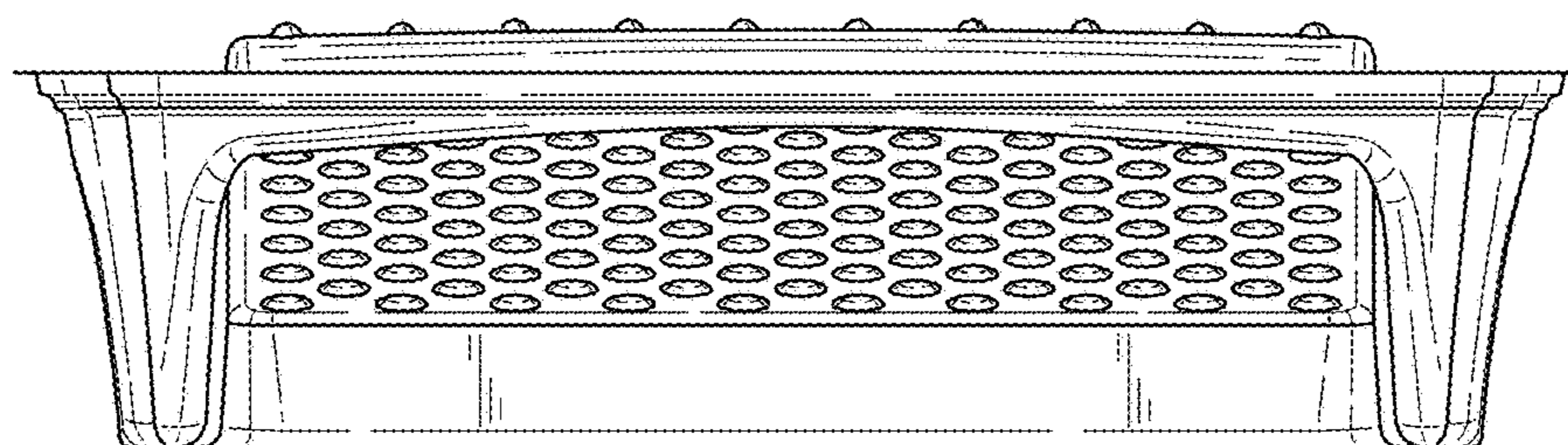


FIG. 4

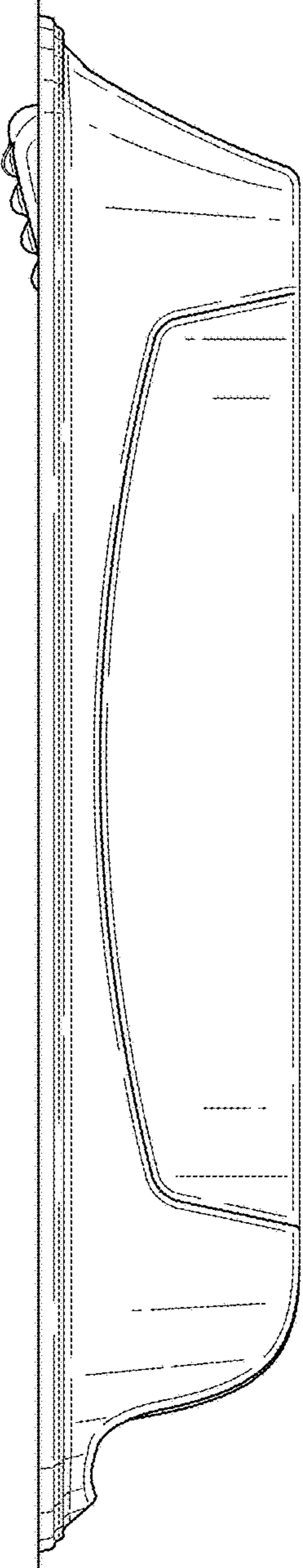


FIG. 5

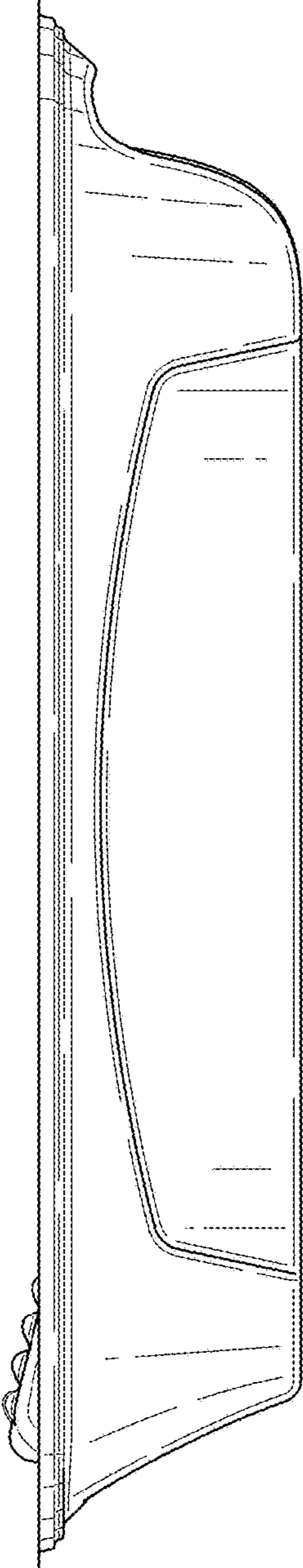


FIG. 6

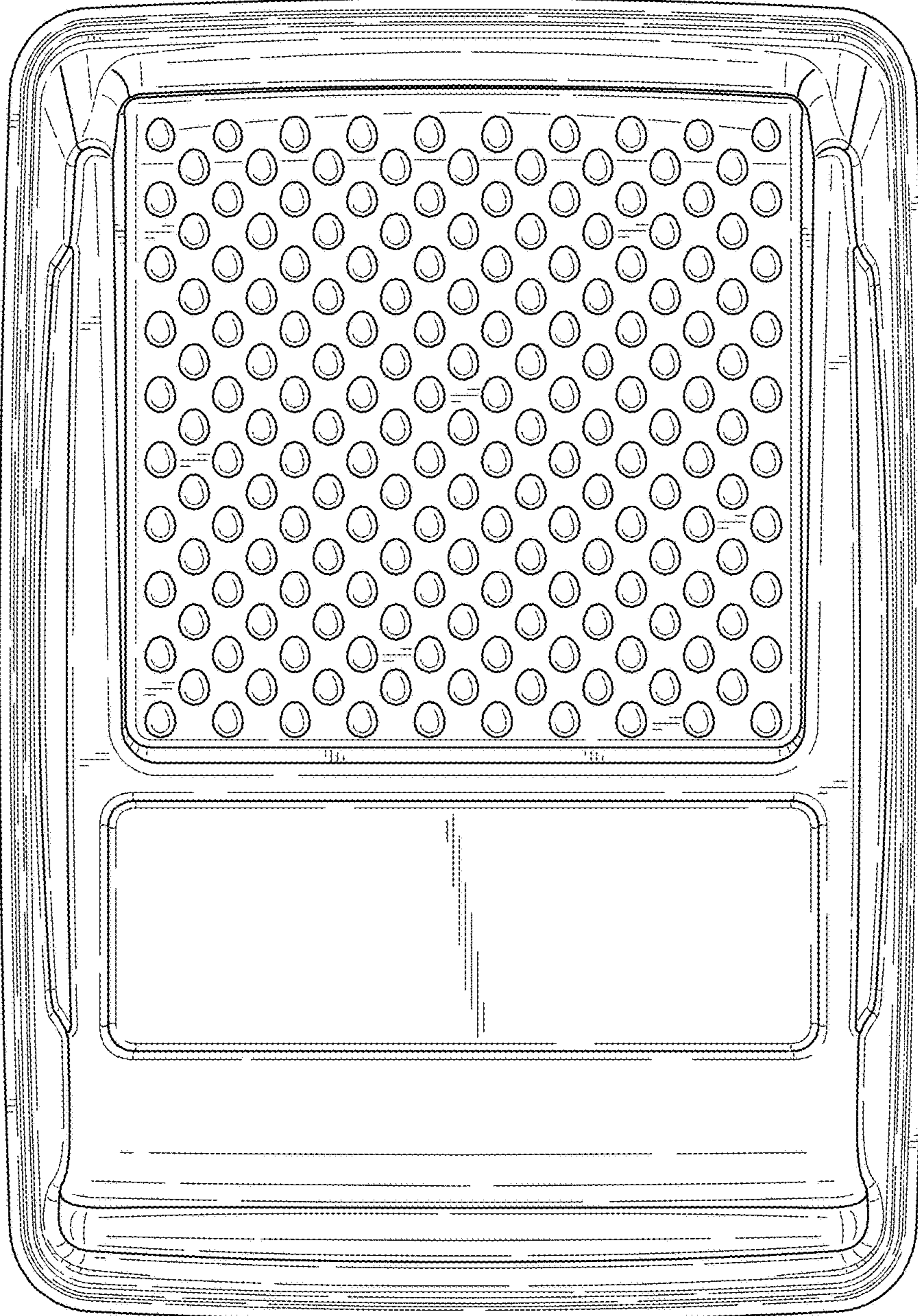


FIG. 7

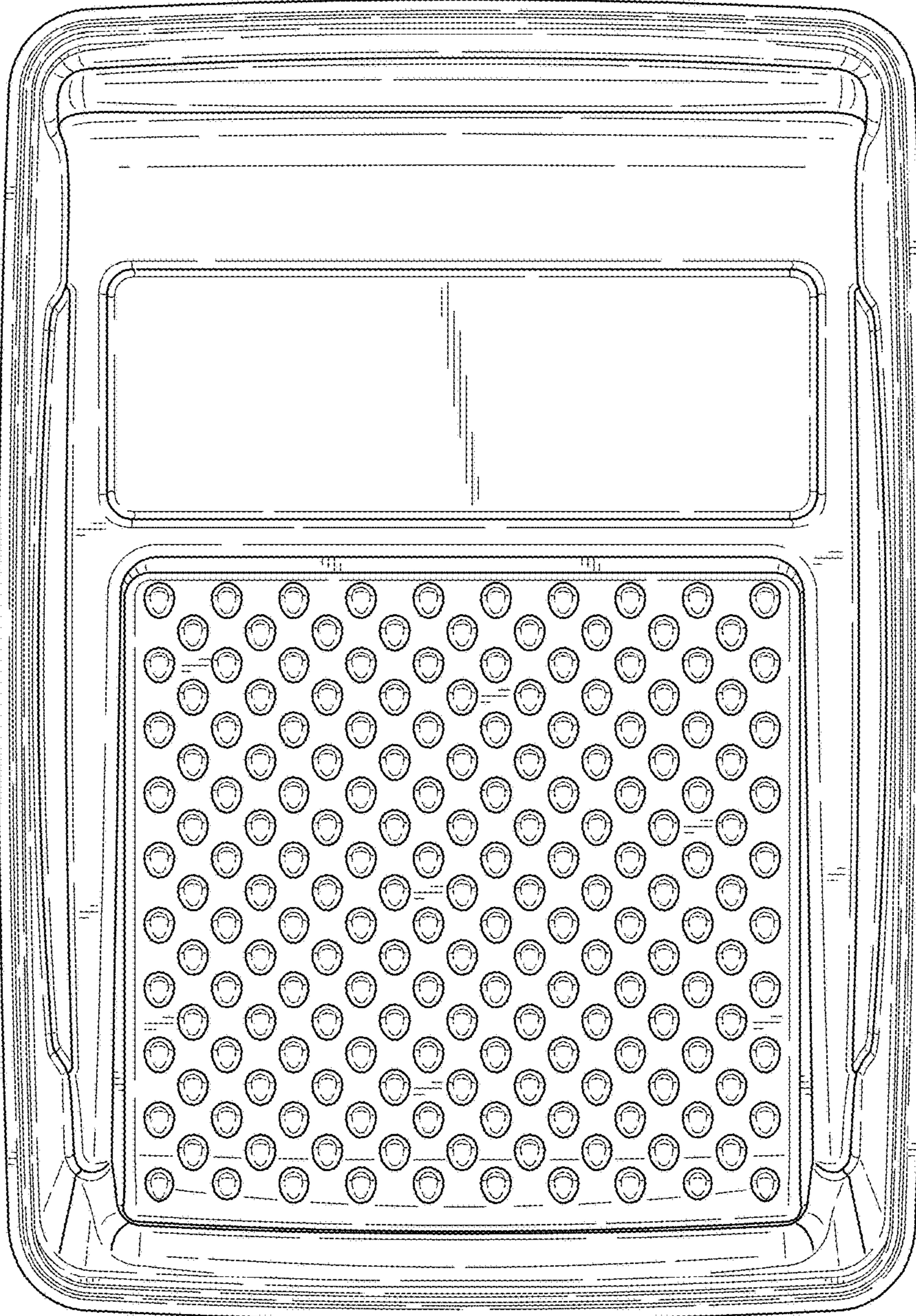


FIG. 8