



US00D850044S

(12) **United States Design Patent** (10) **Patent No.:** **US D850,044 S**
Borovicka et al. (45) **Date of Patent:** **** May 28, 2019**

- (54) **GRILL CLEANING TOOL**
- (71) Applicant: **Charcoal Companion Incorporated**,
Berkeley, CA (US)
- (72) Inventors: **Cory Thomas Borovicka**, Oakland, CA
(US); **Kwame Phillips-Solomon**,
Emeryville, CA (US)
- (73) Assignee: **Charcoal Companion Incorporated**,
Berkeley, CA (US)
- (**) Term: **15 Years**
- (21) Appl. No.: **29/657,691**
- (22) Filed: **Jul. 24, 2018**

Related U.S. Application Data

- (63) Continuation-in-part of application No. 29/608,940,
filed on Jun. 27, 2017, now Pat. No. Des. 827,962.
- (51) **LOC (11) Cl.** **07-05**
- (52) **U.S. Cl.**
USPC **D32/46**
- (58) **Field of Classification Search**
USPC D32/40-43, 46; D4/116, 118; D24/146;
D8/9, 47, 82, 86, 303, 313, 71; D7/691,
D7/688, 669
CPC A47L 13/08; A47L 1/16; B44D 3/16; A47J
37/07; B25D 3/00; B26B 5/00; A47B
88/00
See application file for complete search history.

References Cited

U.S. PATENT DOCUMENTS

- 1,898,747 A * 2/1933 Schacht A47L 13/08
30/169
- 2,173,700 A * 9/1939 Anders B44D 3/162
144/137
- 2,224,283 A * 12/1940 Alverson B25G 1/00
30/167

- 2,253,116 A * 8/1941 Findlay A01G 3/06
15/236.05
- D156,638 S * 12/1949 Lifshutz et al. 15/236.02
- D170,460 S * 9/1953 Hauser 15/236.02
- 3,229,316 A 9/1963 Matheson
(Continued)

FOREIGN PATENT DOCUMENTS

- CA 2023273 A1 2/1992
- CN 303463274 * 11/2015
(Continued)

OTHER PUBLICATIONS

Great Scrape website products page, website 2018, www.thegreatscrape.com/products, site visited Dec. 25, 2018.*
(Continued)

Primary Examiner — John Windmuller
Assistant Examiner — John R Yeh
(74) *Attorney, Agent, or Firm* — Beeson Skinner Beverly, LLP

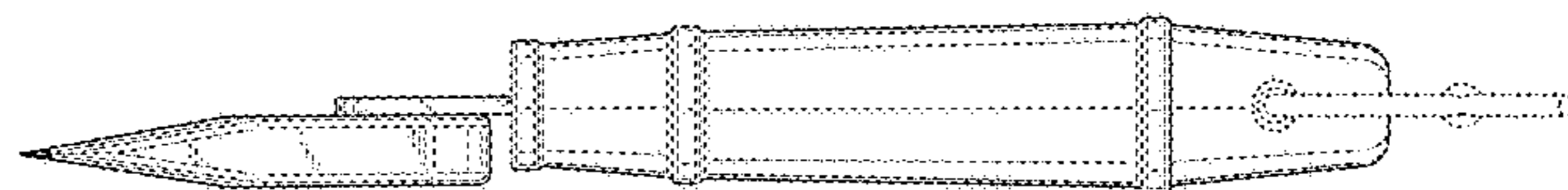
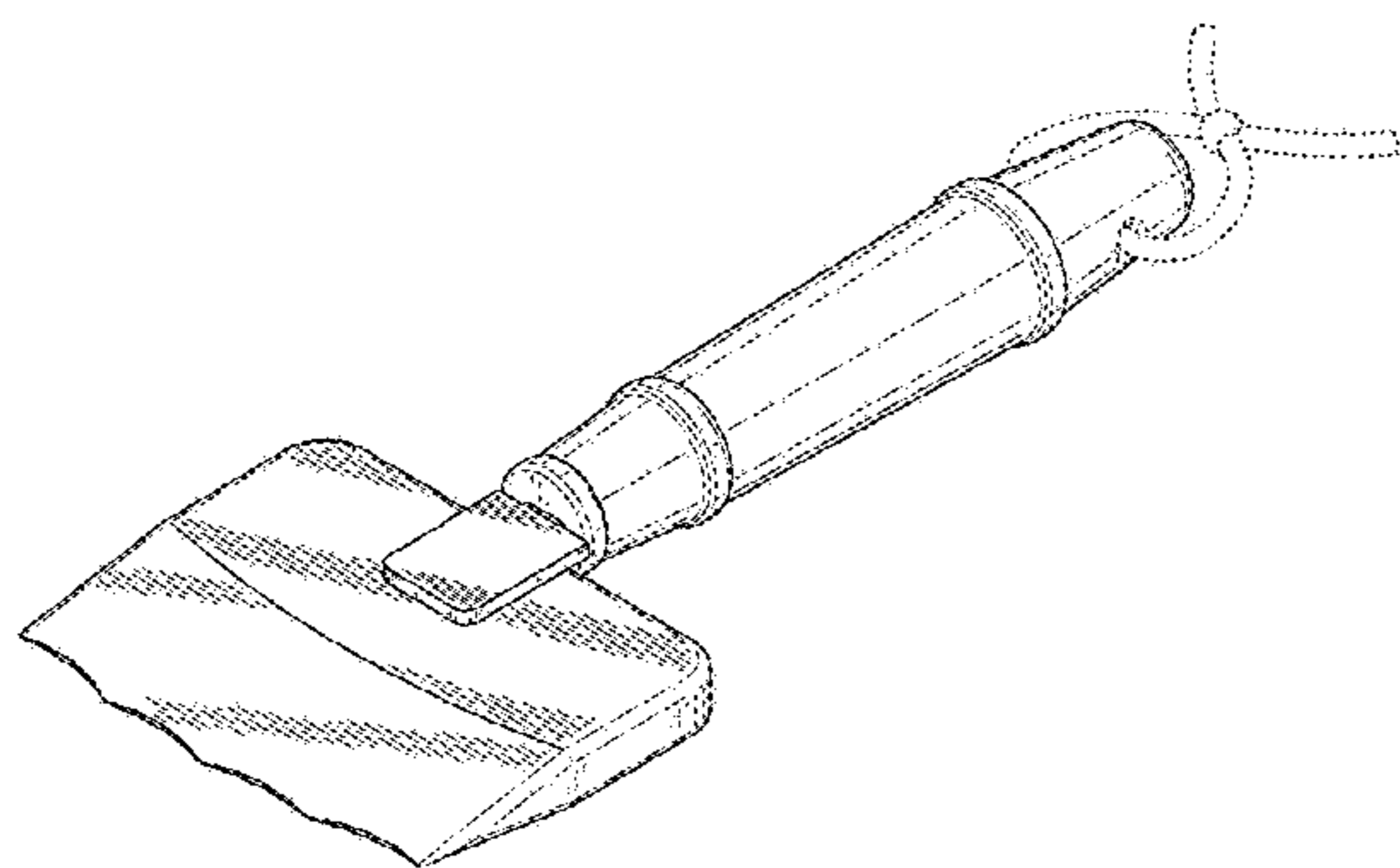
(57) **CLAIM**

The ornamental design for a grill cleaning tool, as shown and described.

DESCRIPTION

FIG. 1 is a front perspective view of a grill cleaning tool showing our new design;
FIG. 2 is front elevational view thereof;
FIG. 3 is a right side elevational view thereof;
FIG. 4 is a rear elevational view thereof;
FIG. 5 is a top plan view thereof; and,
FIG. 6 is a bottom plan view thereof.
The broken lines in FIGS. 1 to 6 show a loop of rope and an opening in the handle of the grill cleaning tool for receiving the loop of rope, both of which form no part of the claimed design.

1 Claim, 3 Drawing Sheets



(56)

References Cited

U.S. PATENT DOCUMENTS

3,130,436 A * 4/1964 Krause A47L 1/16
15/236.02
D222,329 S * 10/1971 Cuscovitch D8/15
D313,158 S * 12/1990 Cecil D8/107
D321,962 S * 11/1991 Roma D32/49
D324,747 S 3/1992 Rood
D331,681 S * 12/1992 Schaefer D6/580
D358,491 S * 5/1995 Hoagland D32/42
6,276,023 B1 * 8/2001 Grundy A47J 37/0786
15/118
D492,172 S * 6/2004 Theurer D8/47
D617,967 S * 6/2010 Lambert D32/46
D664,318 S * 7/2012 Thompson D32/46
D664,319 S * 7/2012 Thompson D32/46
D695,477 S * 12/2013 Patterson D32/40
8,741,068 B2 6/2014 Thompson
D827,962 S * 9/2018 Borovicka D32/40
D828,666 S * 9/2018 Borovicka D32/40
D835,370 S * 12/2018 Thompson D32/46
2005/0097697 A1 * 5/2005 Nistico E04F 21/161
15/235.4
2006/0048328 A1 * 3/2006 McIlree, Sr. A47J 37/0786
15/236.06
2009/0188061 A1 * 7/2009 Cybulski A47J 37/0786
15/111

FOREIGN PATENT DOCUMENTS

CN 303725014 * 6/2016
EM 000038906-0002 * 10/2003

OTHER PUBLICATIONS

Wooden Grill Scraper, Pampered Chef US Site, reviews 2017, www.pamperedchef.com/shop/Outdoor/BBQ-Tools/Wooden-Grill-Scraper, site visited Jul. 2, 2018.*
Ultimate Cleaning BBQ Tool [online], site visited [Jun. 28, 2017]. Available from Internet URL: https://www.amazon.com/Great-Scrape-Woody-Paddle-Natural/dp/B013S1SM4I/ref=sr_1_3?ie=UTF8&qid=1498679621&sr=8-3.
Great Scrape The Woody Paddle All Natural BBQ Grill Scraper [online], site visited [Jun. 28, 2017]. Available from Internet URL: https://www.amazon.com/Ultimate-Cleaning-BBQ-Tool/dp/B0728C5VQN/ref=sr_1_6?ie=UTF8&qid=1498679621&sr=8-6.
Grill Hog Cedar BBQ GRill Scraper [online], site visited [Jun. 28, 2017]. Available from Internet URL: https://www.amazon.com/Grill-Hog-Cedar-BBQ-Scraper/dp/B06XCBPQNS/ref=sr_1_7?ie=UTF8&qid=1498679621&sr=8-7.

* cited by examiner

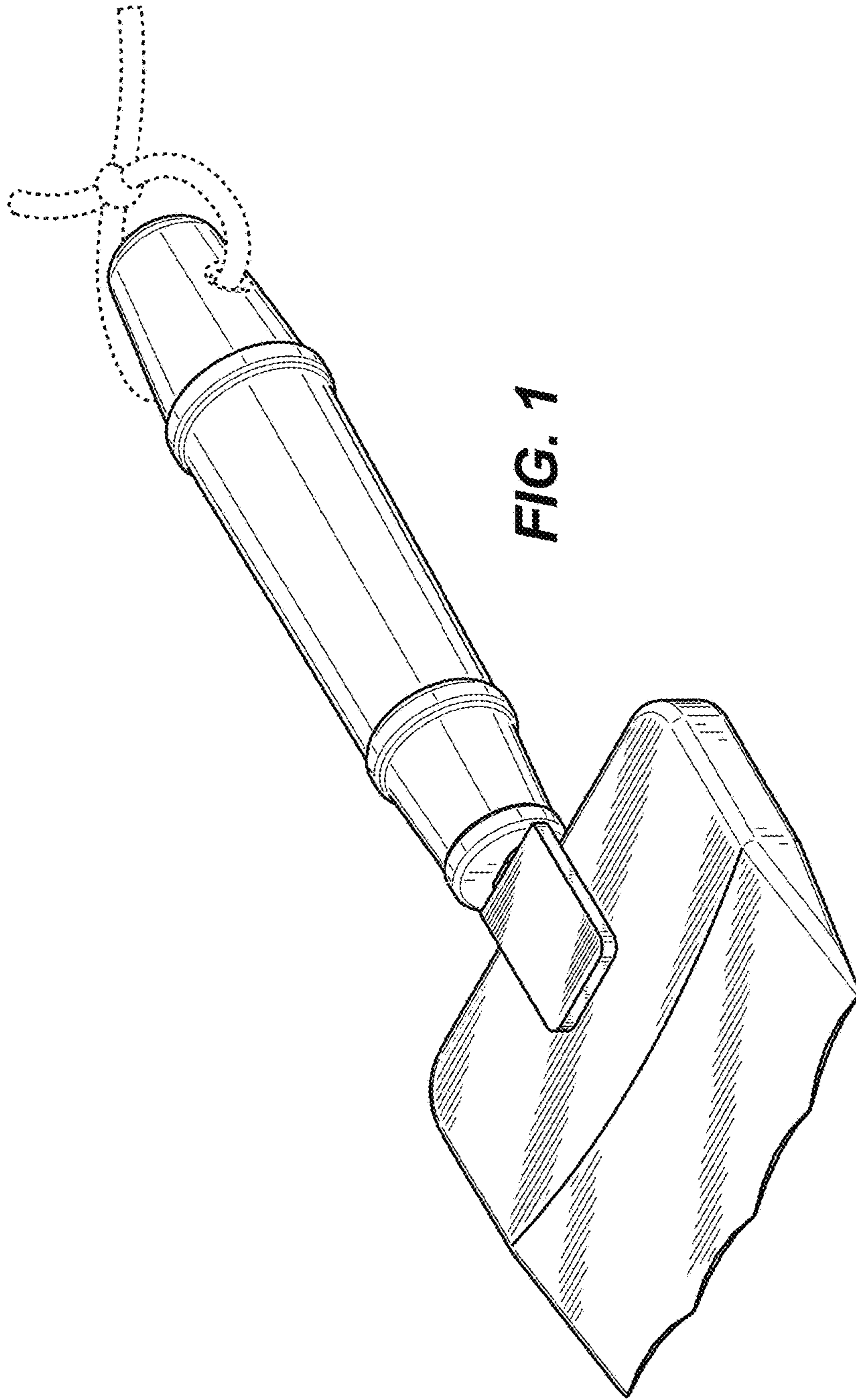


FIG. 1

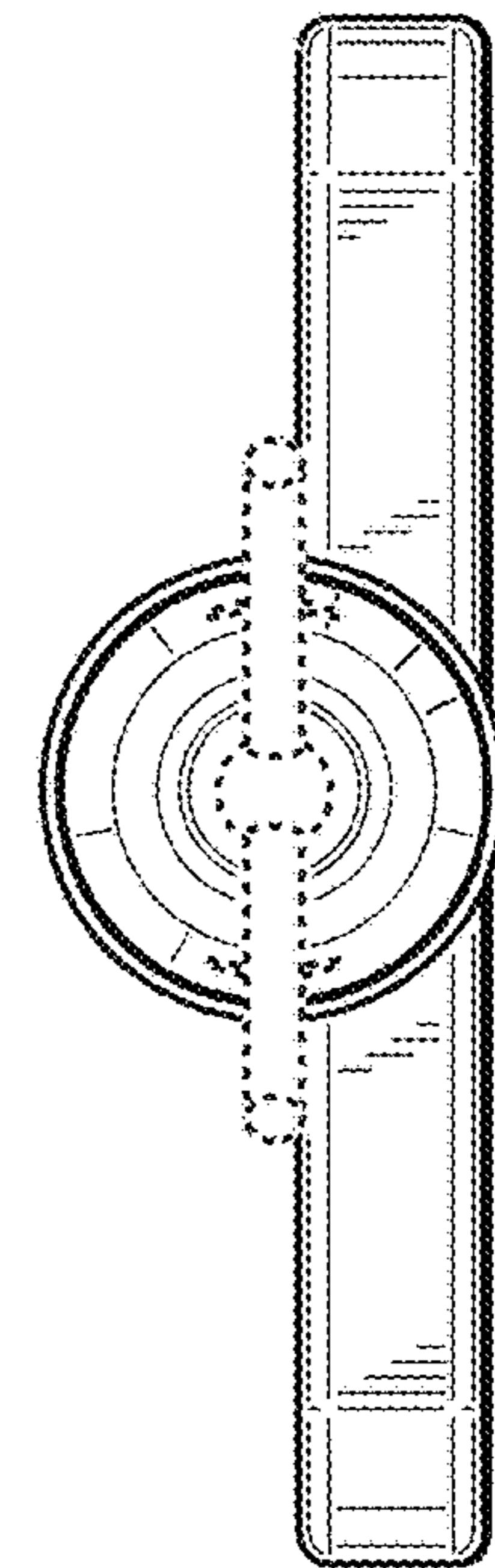


FIG. 4

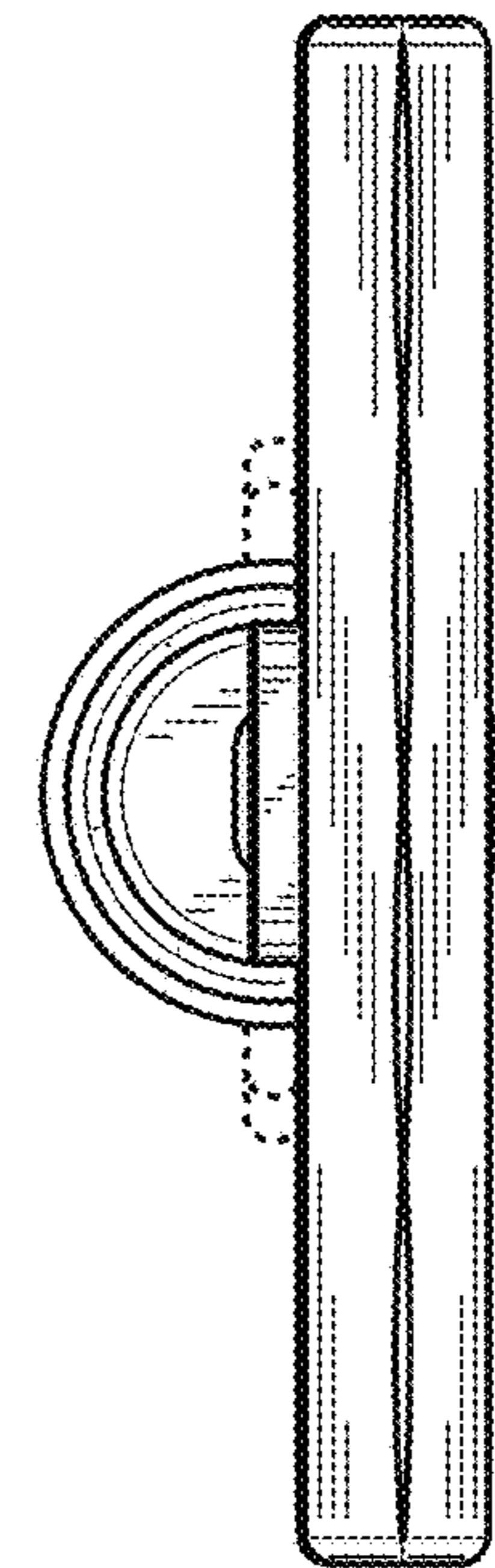


FIG. 2

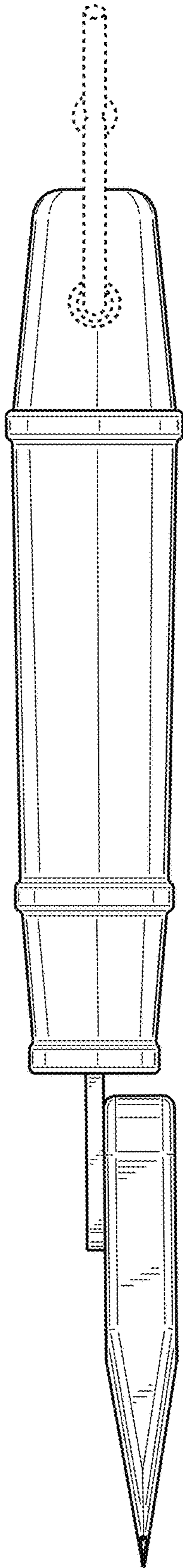


FIG. 3

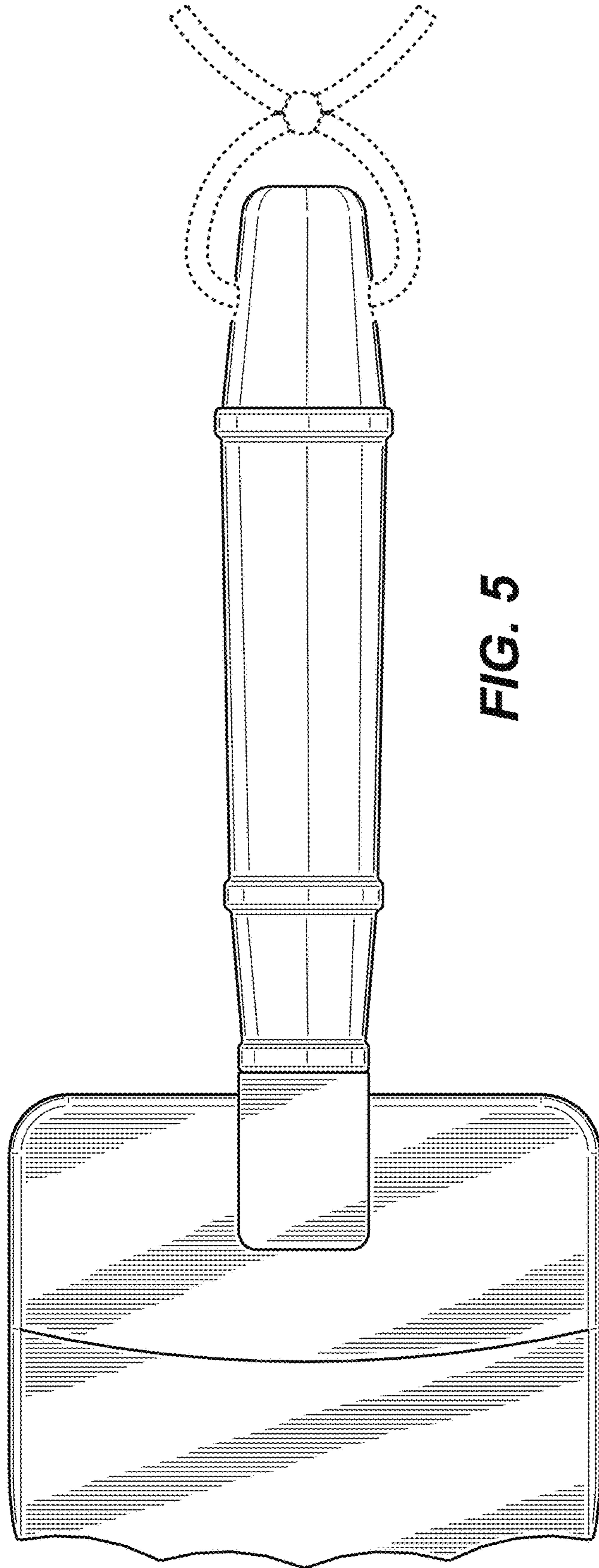


FIG. 5

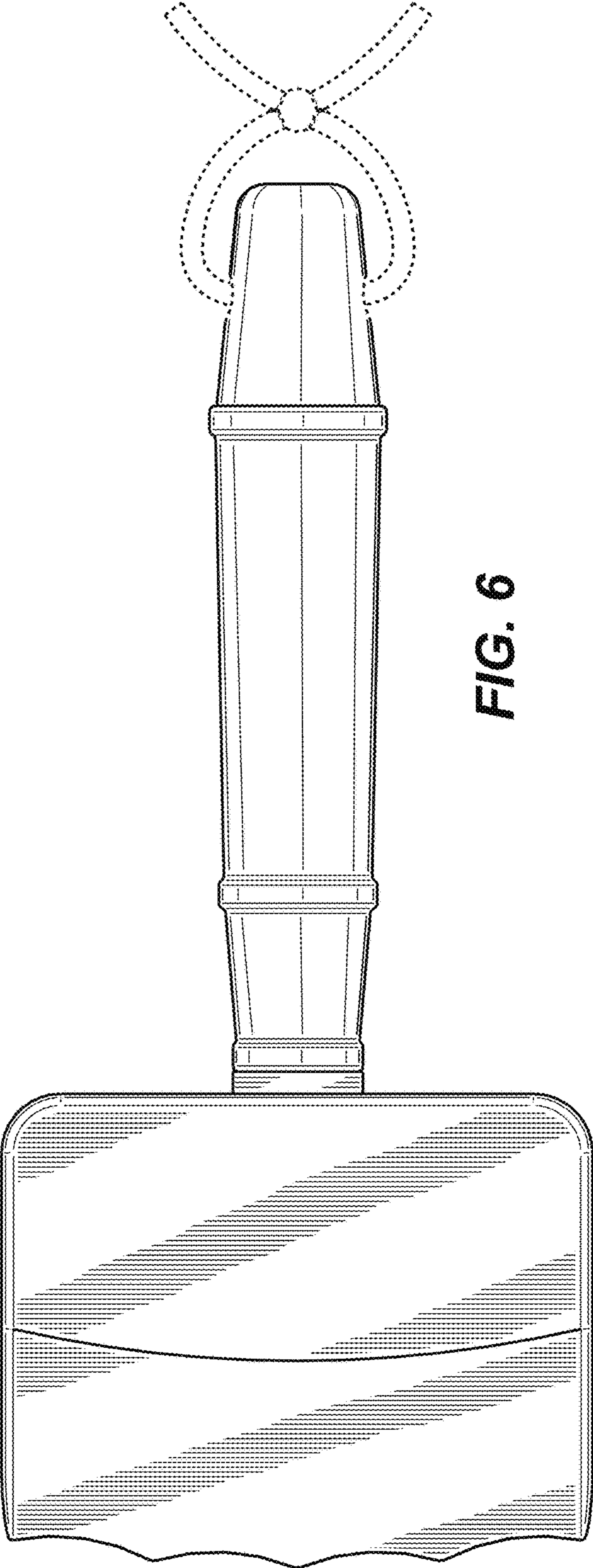


FIG. 6