



US00D850043S

(12) **United States Design Patent**
Stubbs

(10) **Patent No.:** **US D850,043 S**
(45) **Date of Patent:** **** May 28, 2019**

(54) **AIR NOZZLE WITH SCRAPER**

FOREIGN PATENT DOCUMENTS

(71) Applicant: **Kenneth C. Stubbs**, Hurricane, UT
(US)

CN 3361224 * 4/2004
CN 303725014 * 6/2016

(72) Inventor: **Kenneth C. Stubbs**, Hurricane, UT
(US)

OTHER PUBLICATIONS

(**) Term: **15 Years**

Long Reach Air Scraper, Harbor Freight website reviews 2018,
<https://www.harborfreight.com/42-in-long-reach-air-scraper-62687.html>, site visited Dec. 26, 2018.*

(21) Appl. No.: **29/629,016**

(Continued)

(22) Filed: **Dec. 11, 2017**

Primary Examiner — John Windmuller

(51) **LOC (11) Cl.** **07-05**

Assistant Examiner — John R Yeh

(52) **U.S. Cl.**
USPC **D32/46**

(74) *Attorney, Agent, or Firm* — Gurr Brande &
Spendlove, PLLC; Robert A. Gurr

(58) **Field of Classification Search**
USPC D32/40–43, 46; D4/116, 118; D24/146;
D8/9, 47, 82, 86, 303, 313, 71; D7/691,
D7/688, 669; D15/144; D23/213, 228
CPC A47L 13/08; A47L 1/16; B44D 3/16; A47J
37/07; B25D 3/00; B26B 5/00; A47B
88/00

(57) **CLAIM**

The ornamental design for an air nozzle with scraper, as shown and described.

See application file for complete search history.

DESCRIPTION

(56) **References Cited**

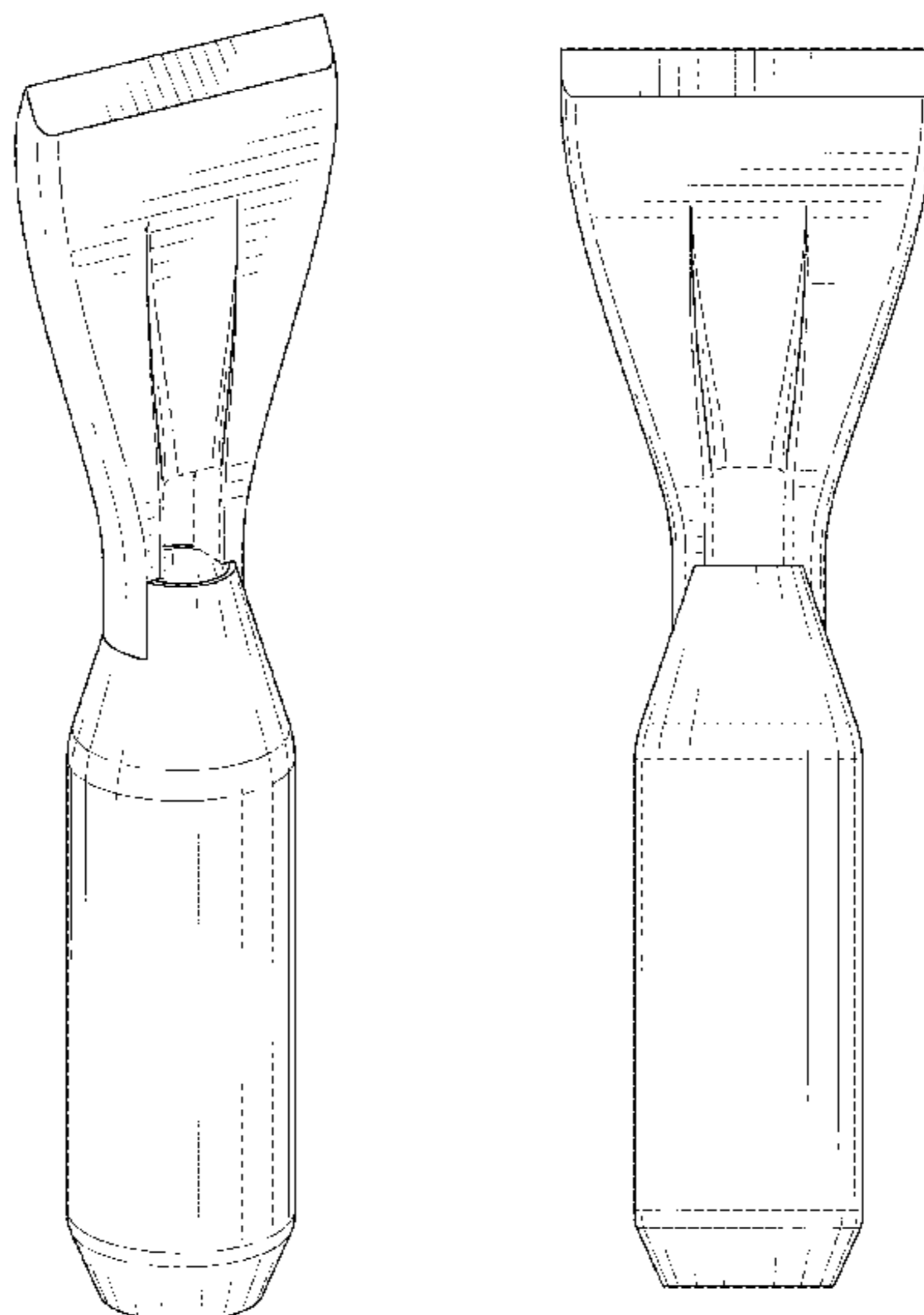
U.S. PATENT DOCUMENTS

1,710,113 A * 4/1929 Rothermel B44D 3/162
15/236.01
1,898,690 A * 2/1933 Schacht A47L 13/08
15/143.1
2,535,253 A * 12/1950 Anderson B23D 79/06
30/128
2,759,218 A * 8/1956 Smith E04F 21/32
30/293
D181,495 S * 11/1957 Sinko D32/49
D256,473 S * 8/1980 Wagner 101/269
5,357,646 A * 10/1994 Kim A47L 1/16
15/111
D364,015 S * 11/1995 Stoltzfus D32/46
D380,661 S * 7/1997 Lehmann D32/46

FIG. 1 is a perspective view of the air nozzle with scraper;
FIG. 2 is a front elevation view of the air nozzle with
scraper;
FIG. 3 is a back elevation view of the air nozzle with
scraper;
FIG. 4 is a left side elevation view of the air nozzle with
scraper;
FIG. 5 is a right side elevation view of the air nozzle with
scraper;
FIG. 6 is a top plan view of the air nozzle with scraper;
FIG. 7 is a bottom plan view of the air nozzle with scraper;
and,
FIG. 8 illustrates the air nozzle with scraper attached to an
air gun.
The broken lines shown in the drawings are for the purpose
of illustrating environmental matter and portions of the
article that form no part of the claimed design.

(Continued)

1 Claim, 5 Drawing Sheets



(56)

References Cited

U.S. PATENT DOCUMENTS

D395,216 S * 6/1998 Figueroa D32/46
5,875,515 A * 3/1999 Dallas A47J 43/288
15/236.01
D500,184 S * 12/2004 Libman D32/41
D596,472 S * 7/2009 Cook D8/47
D604,919 S * 11/2009 Meyer D32/41
D695,981 S * 12/2013 Myoung D32/46
D756,580 S * 5/2016 Philip D32/46
D762,933 S * 8/2016 Masalin D32/40
9,790,692 B2 * 10/2017 Bernicke-Grussing
E04F 21/165
9,995,046 B2 * 6/2018 Morton E04F 21/165
D826,503 S * 8/2018 Dobson, III D32/74
2004/0000056 A1 * 1/2004 Chao B44D 3/162
30/169
2006/0200932 A1 * 9/2006 Byrnes A47L 1/16
15/236.06

OTHER PUBLICATIONS

The Soft Grip Super Air Scraper, ExAir blog twitter feed dates 2018,
<https://blog.exair.com/2018/10/23/exair-has-a-new-product-the-soft-grip-super-air-scraper/>, site visited Dec. 26, 2018.*

* cited by examiner

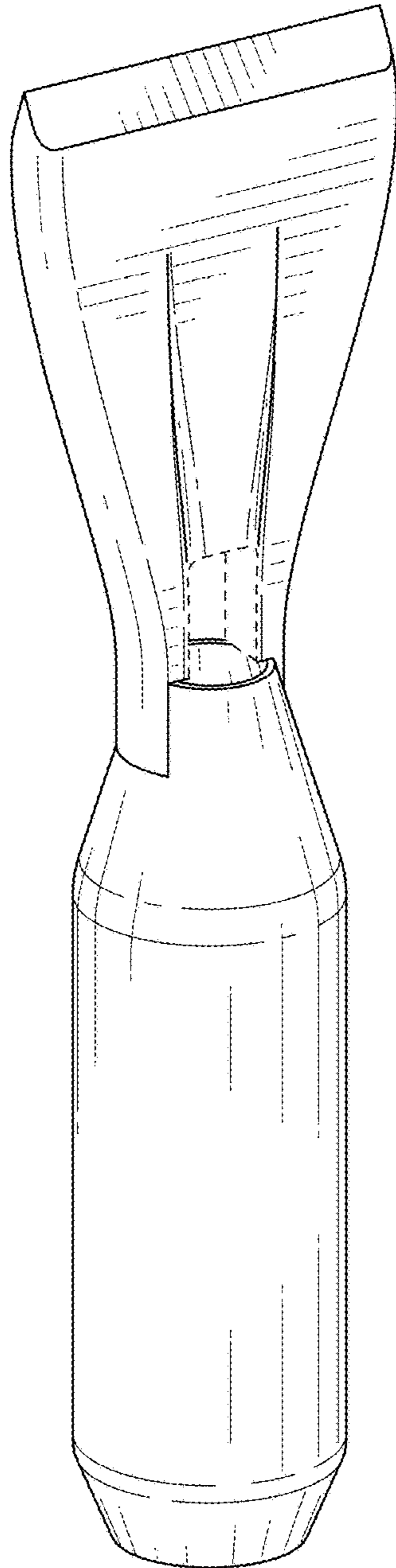


FIG. 1

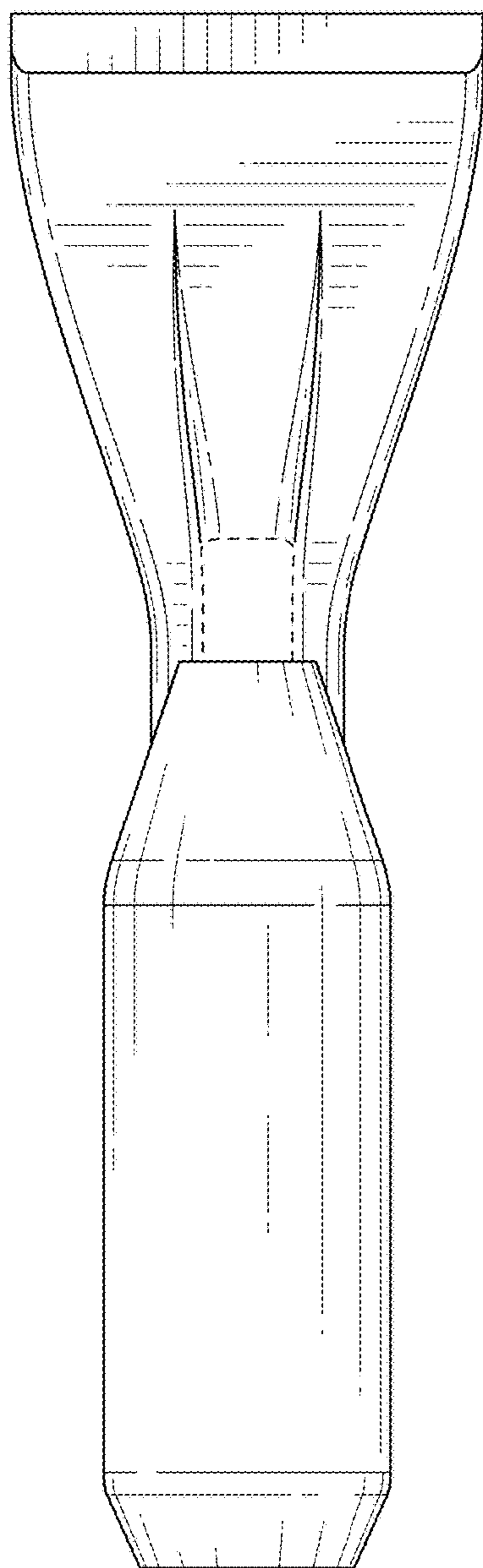


FIG. 2

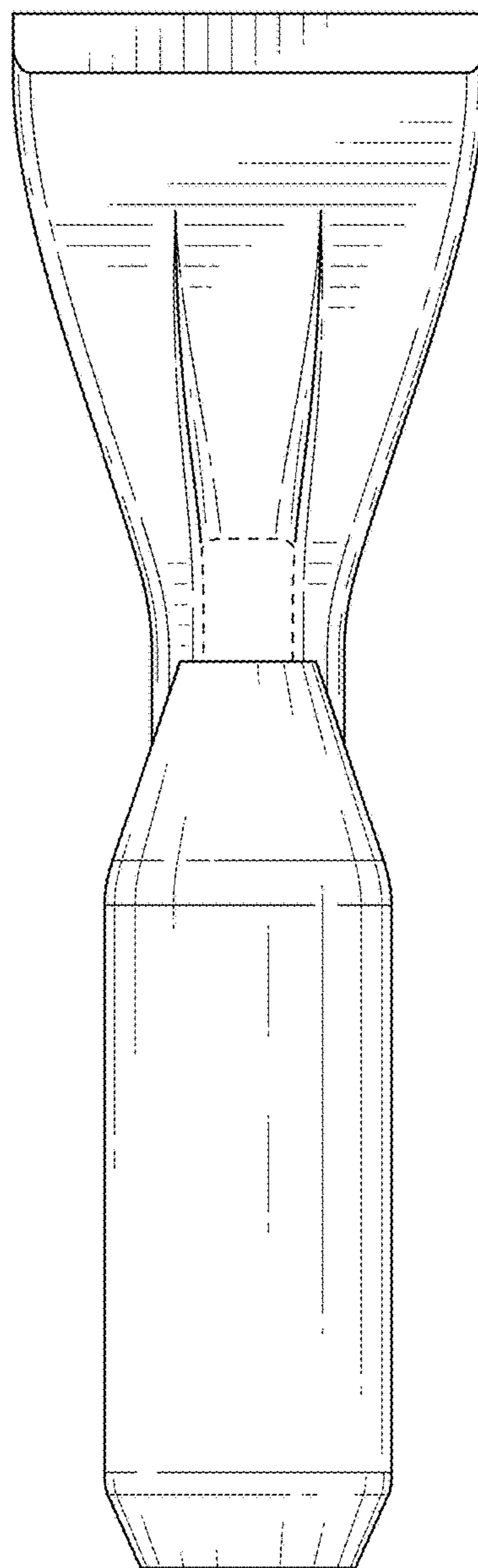


FIG. 3

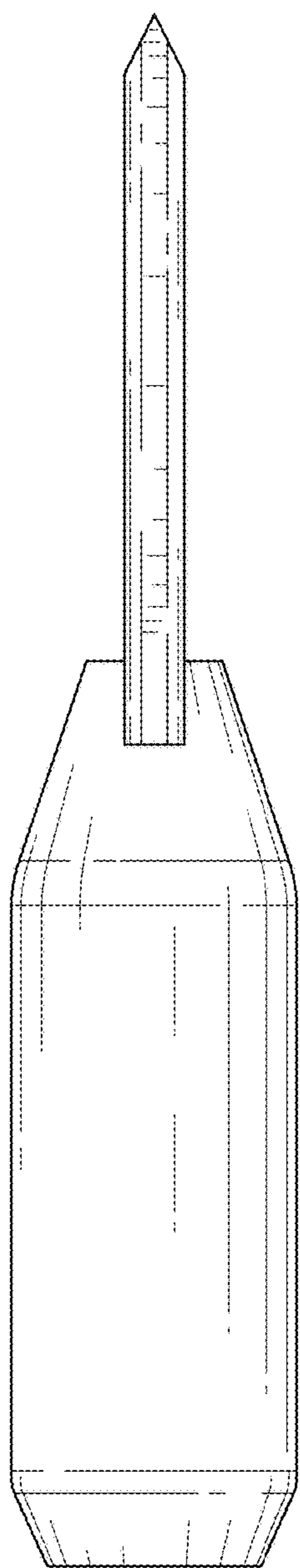


FIG. 4

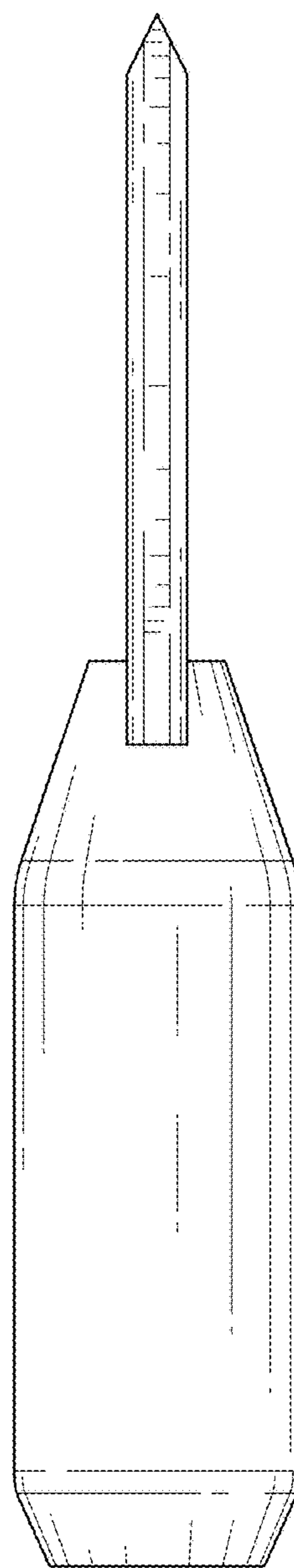


FIG. 5

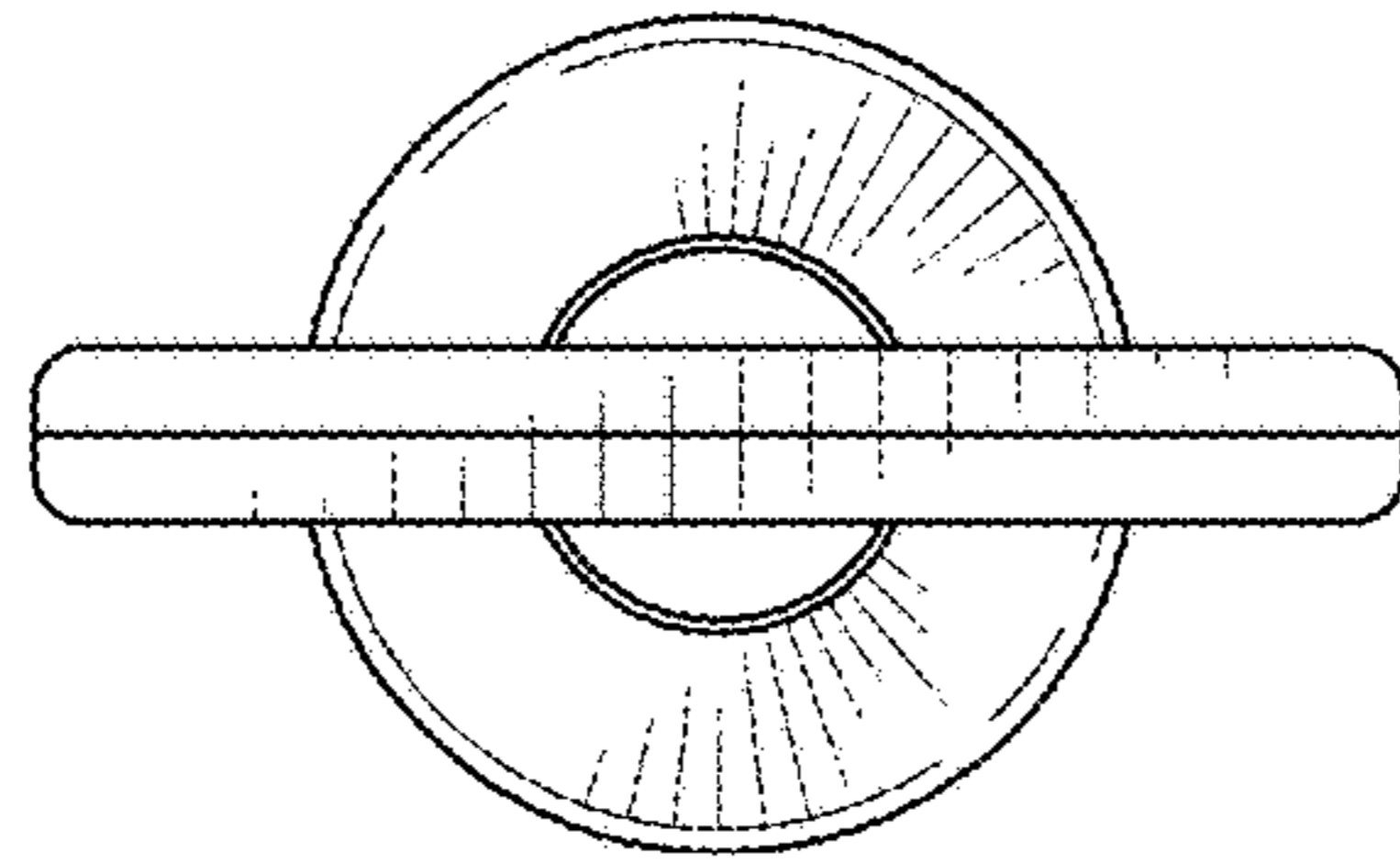


FIG. 6

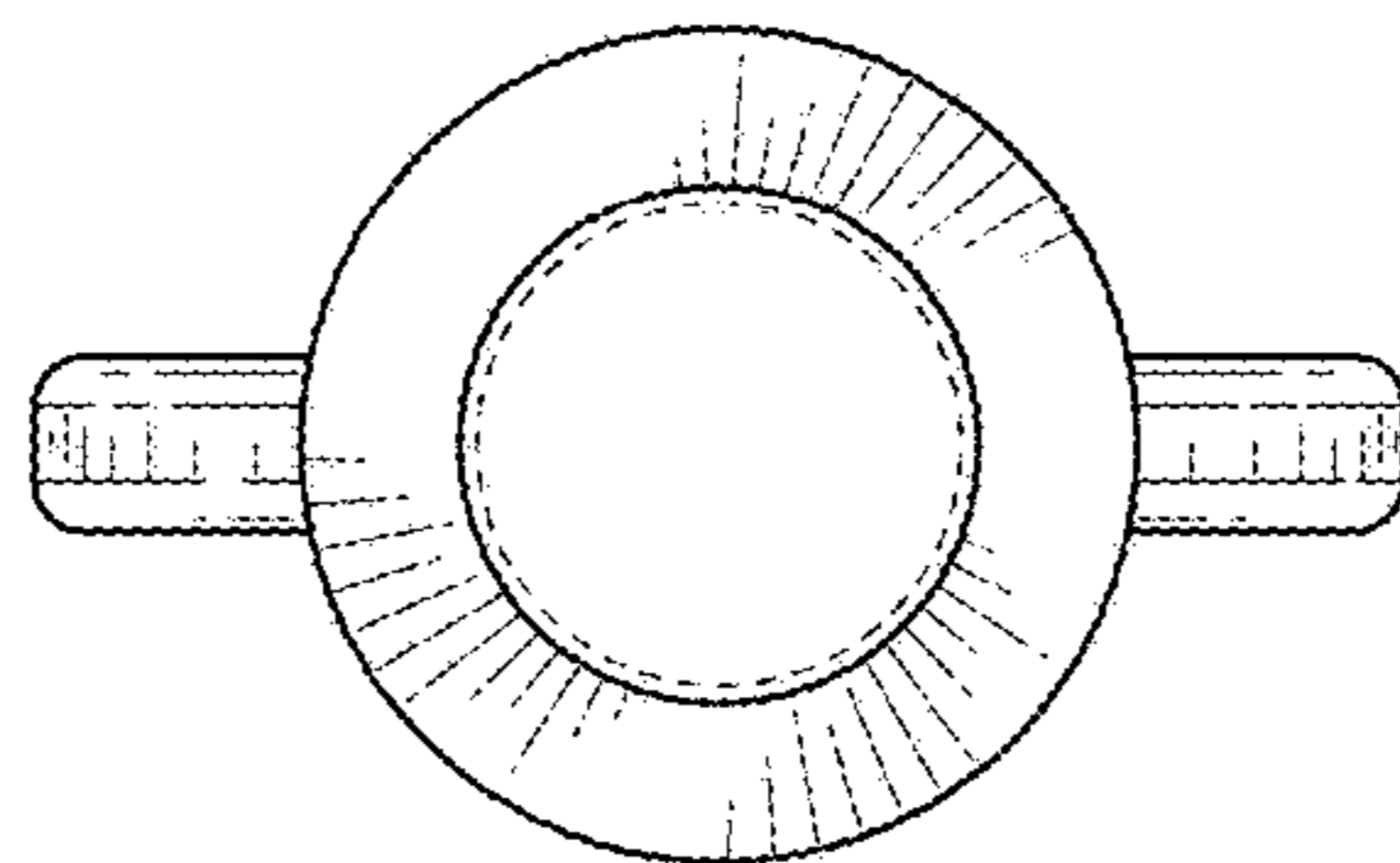


FIG. 7

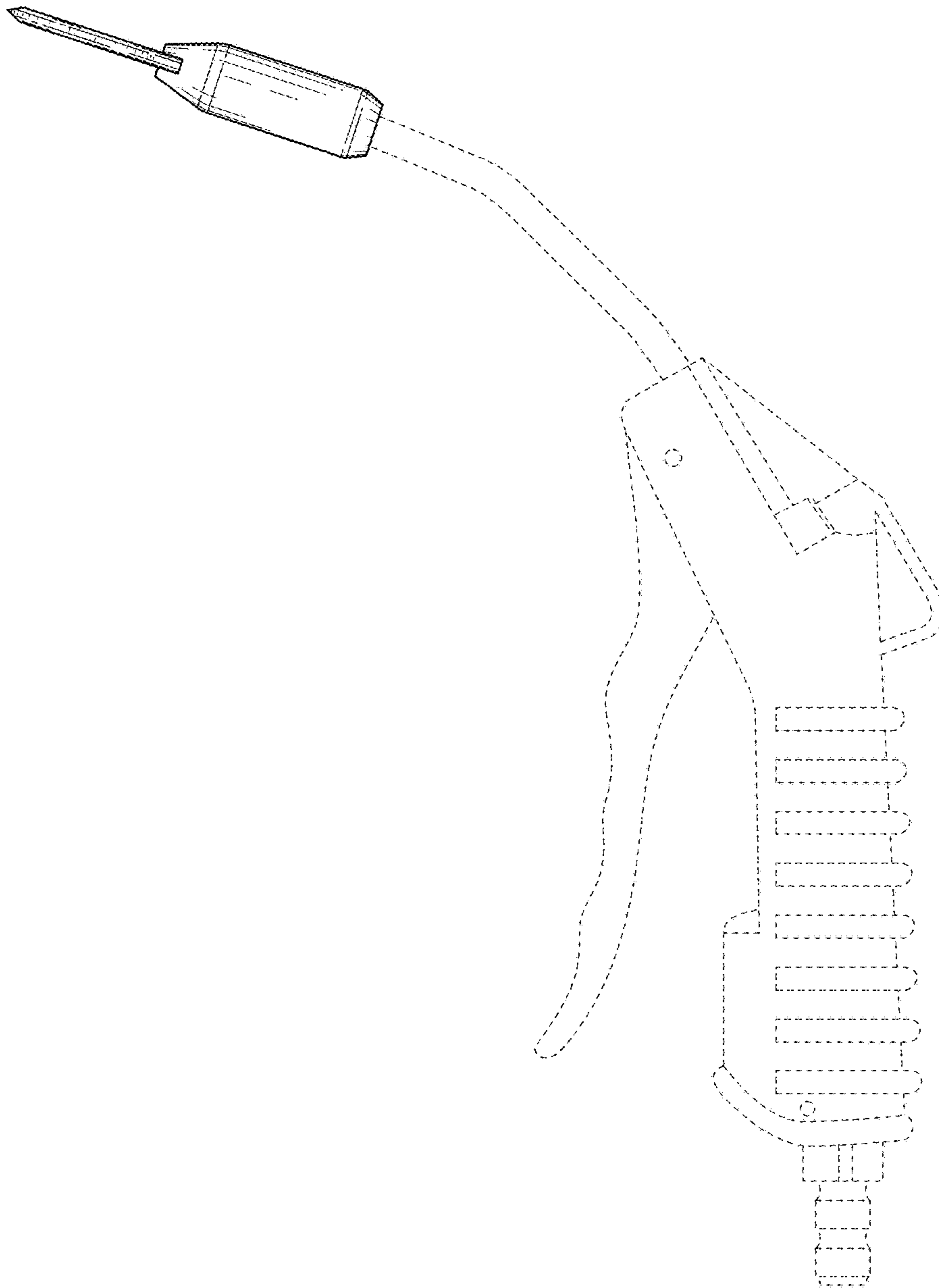


FIG. 8