



US00D850040S

(12) **United States Design Patent**
Wrobleski et al.

(10) **Patent No.:** **US D850,040 S**

(45) **Date of Patent:** **** May 28, 2019**

(54) **VACUUM CLEANER BASE**

(71) Applicant: **BISSELL Homecare, Inc.**, Grand Rapids, MI (US)

(72) Inventors: **Dennis J. Wrobleski**, Grand Rapids, MI (US); **Adam G. Carr**, Ada, MI (US)

(73) Assignee: **BISSELL Homecare, Inc.**, Grand Rapids, MI (US)

(**) Term: **15 Years**

(21) Appl. No.: **29/609,052**

(22) Filed: **Jun. 28, 2017**

(51) **LOC (11) Cl.** **15-05**

(52) **U.S. Cl.**
USPC **D32/32**

(58) **Field of Classification Search**
USPC D32/31-34, 20-22, 38-39, 45
CPC A47L 9/02; A47L 9/04; A47L 9/06; A47L 9/0477; A47L 9/2842; A47L 9/0693; A47L 9/0444; A47L 9/0461; A47L 9/325; A47L 9/28; A47L 5/362; A47L 5/365; A47L 5/325; A47L 5/28; A47L 5/30; A47L 5/34; A47L 5/36; A47L 5/02; A47L 5/24; A47L 11/4044; E04H 4/1654; A46B 13/001; E01H 1/0854

See application file for complete search history.

(56) **References Cited**

U.S. PATENT DOCUMENTS

D506,047 S *	6/2005	Alford	D32/32
D644,802 S *	9/2011	Park	D32/32
D707,903 S *	6/2014	Raven	D32/32
D720,104 S *	12/2014	Santiago	D32/32
D757,378 S *	5/2016	Johnson	D32/32
D778,517 S *	2/2017	Perin	D32/32
D779,751 S *	2/2017	Chu	D32/32
D779,752 S *	2/2017	Johnson	D32/32
D780,393 S *	2/2017	Carr	D32/32
D781,514 S *	3/2017	Perin	D32/32

* cited by examiner

Primary Examiner — Ruth McInroy

(74) *Attorney, Agent, or Firm* — McGarry Bair PC

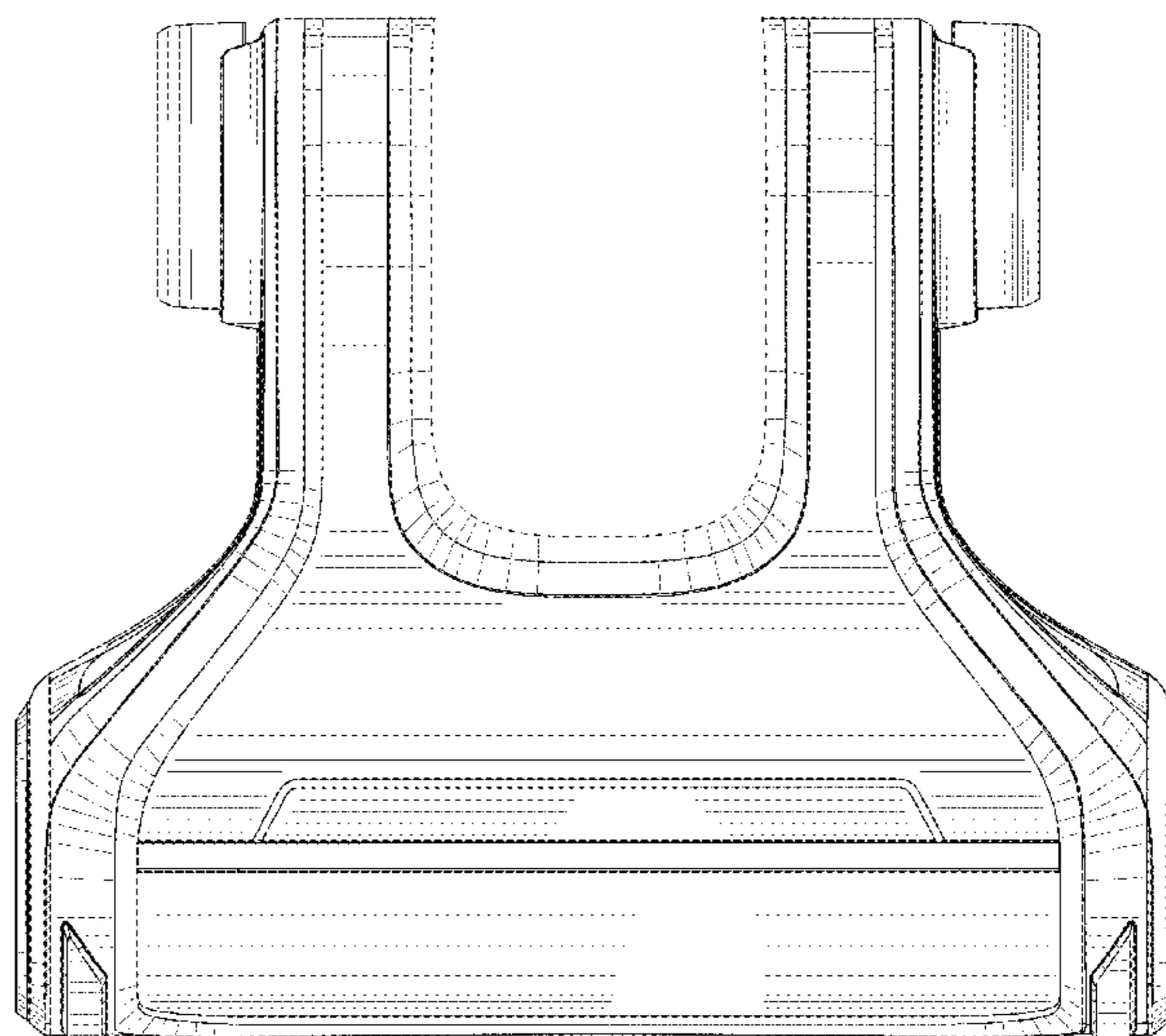
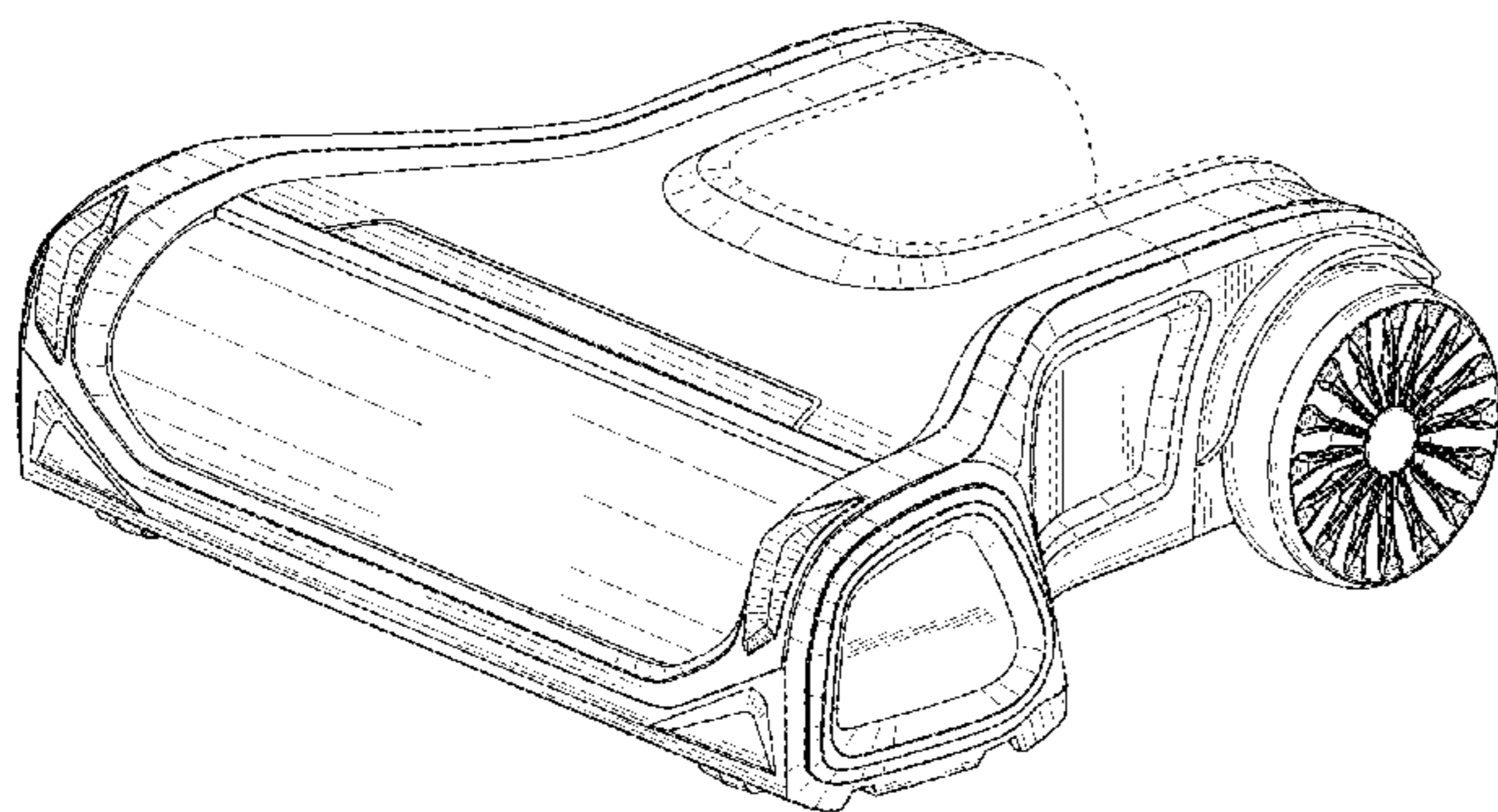
(57) **CLAIM**

The ornamental design for a vacuum cleaner base, as shown and described.

DESCRIPTION

FIG. 1 is a front, right perspective view of a vacuum cleaner base showing our new design;
FIG. 2 is a front view thereof;
FIG. 3 is a left side view thereof;
FIG. 4 is a right side view thereof;
FIG. 5 is a top view thereof; and,
FIG. 6 is an enlarged view of the detail in FIG. 4.
The details shown in broken lines form no part of the claimed design.

1 Claim, 6 Drawing Sheets



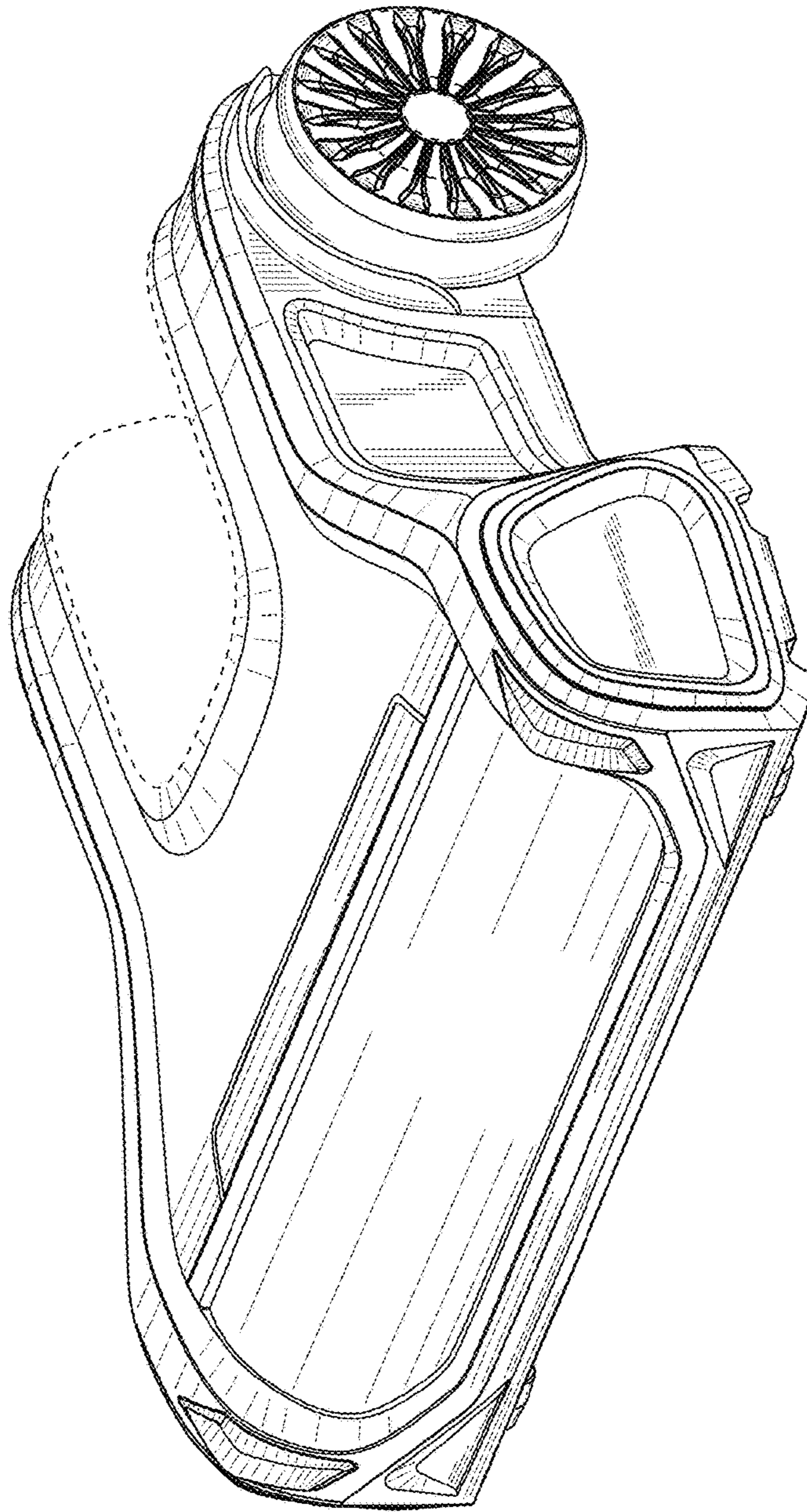


FIG. 1

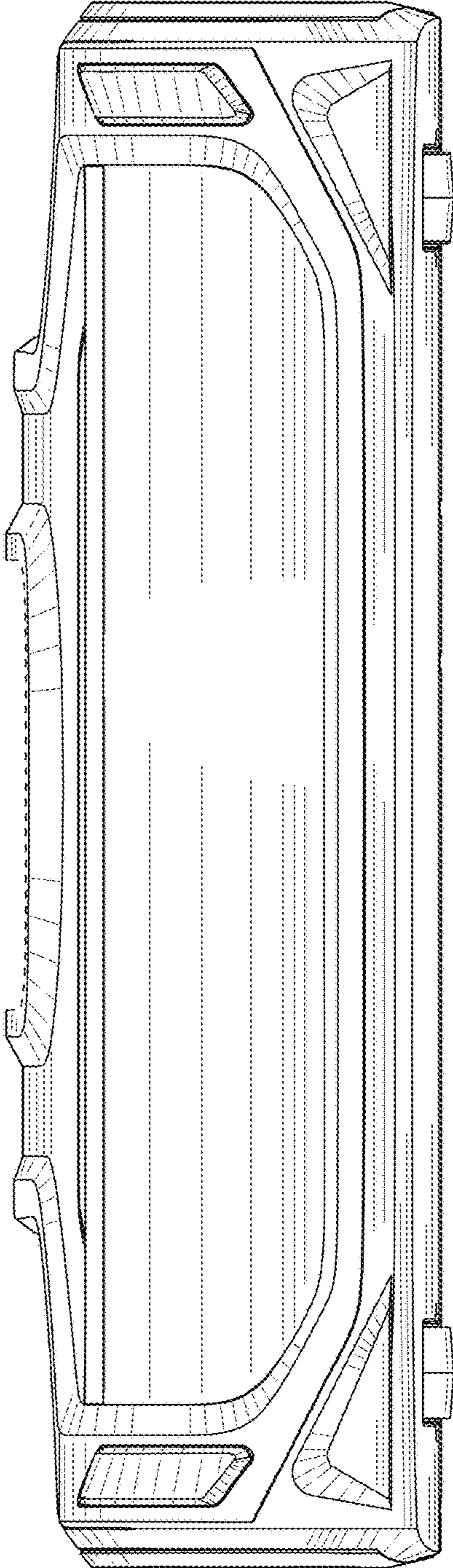


FIG. 2

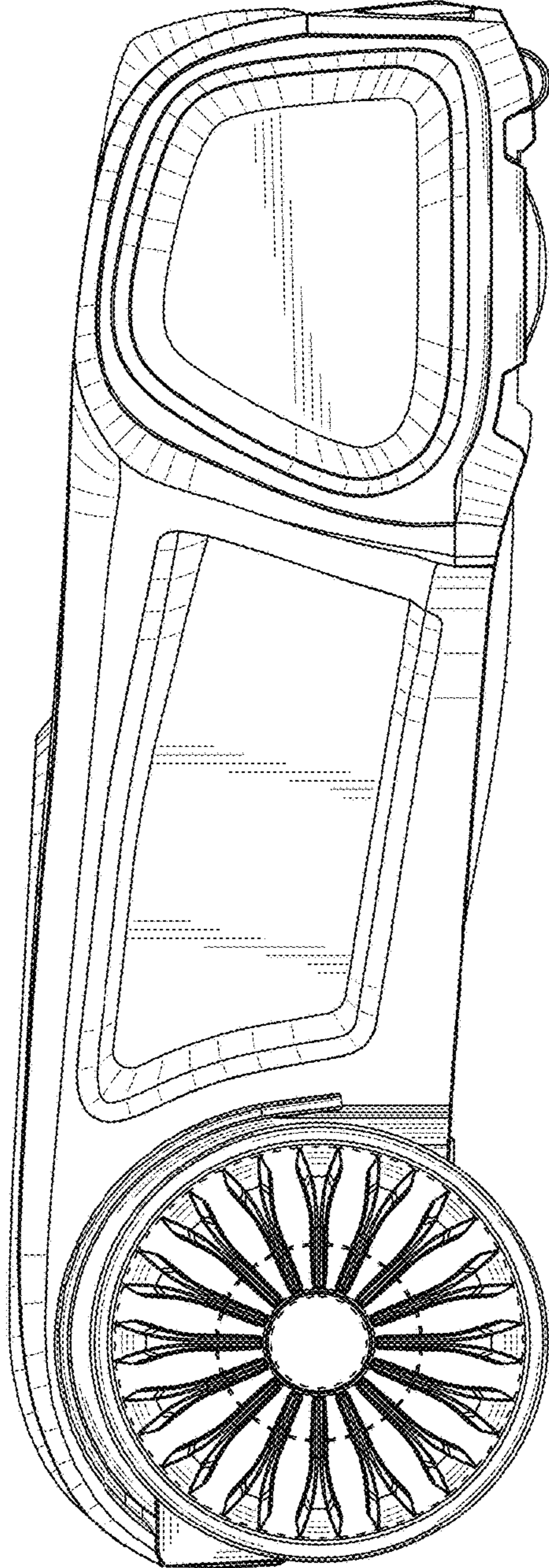


FIG. 3

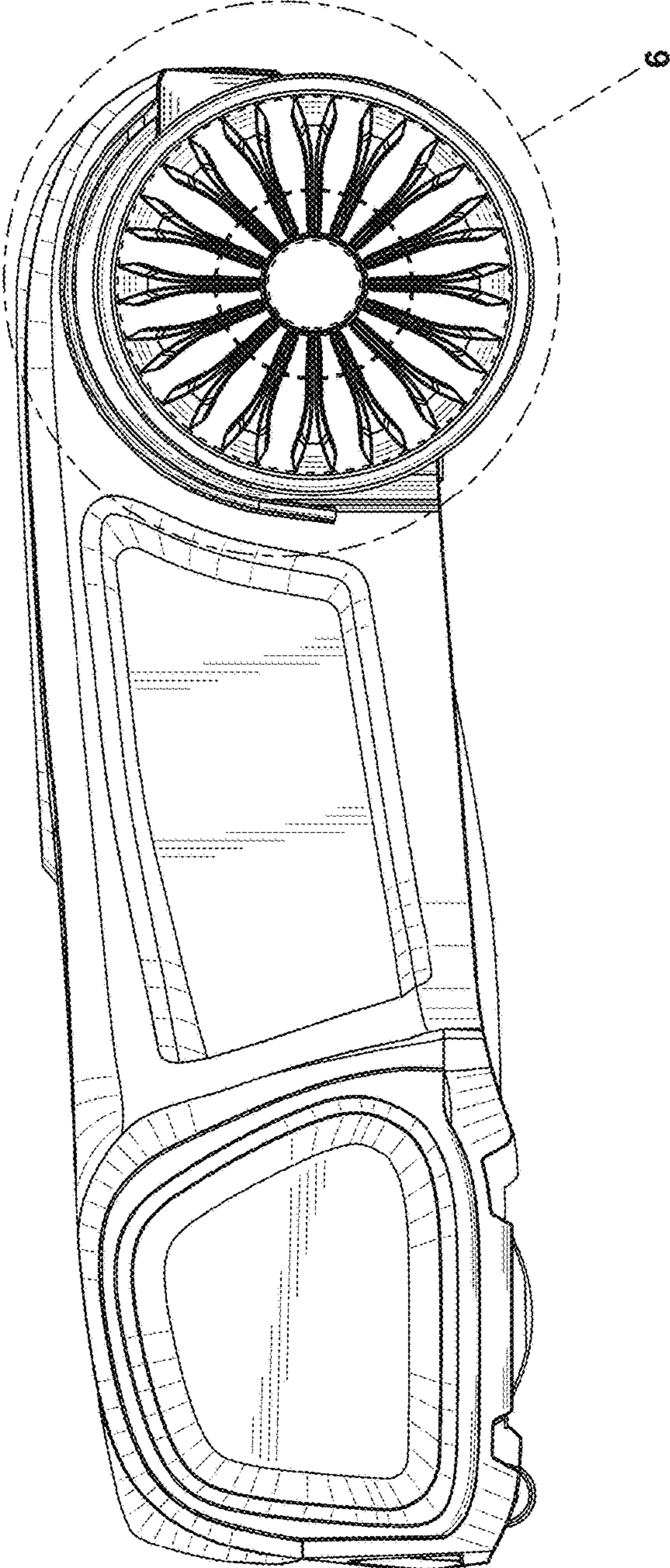


FIG. 4

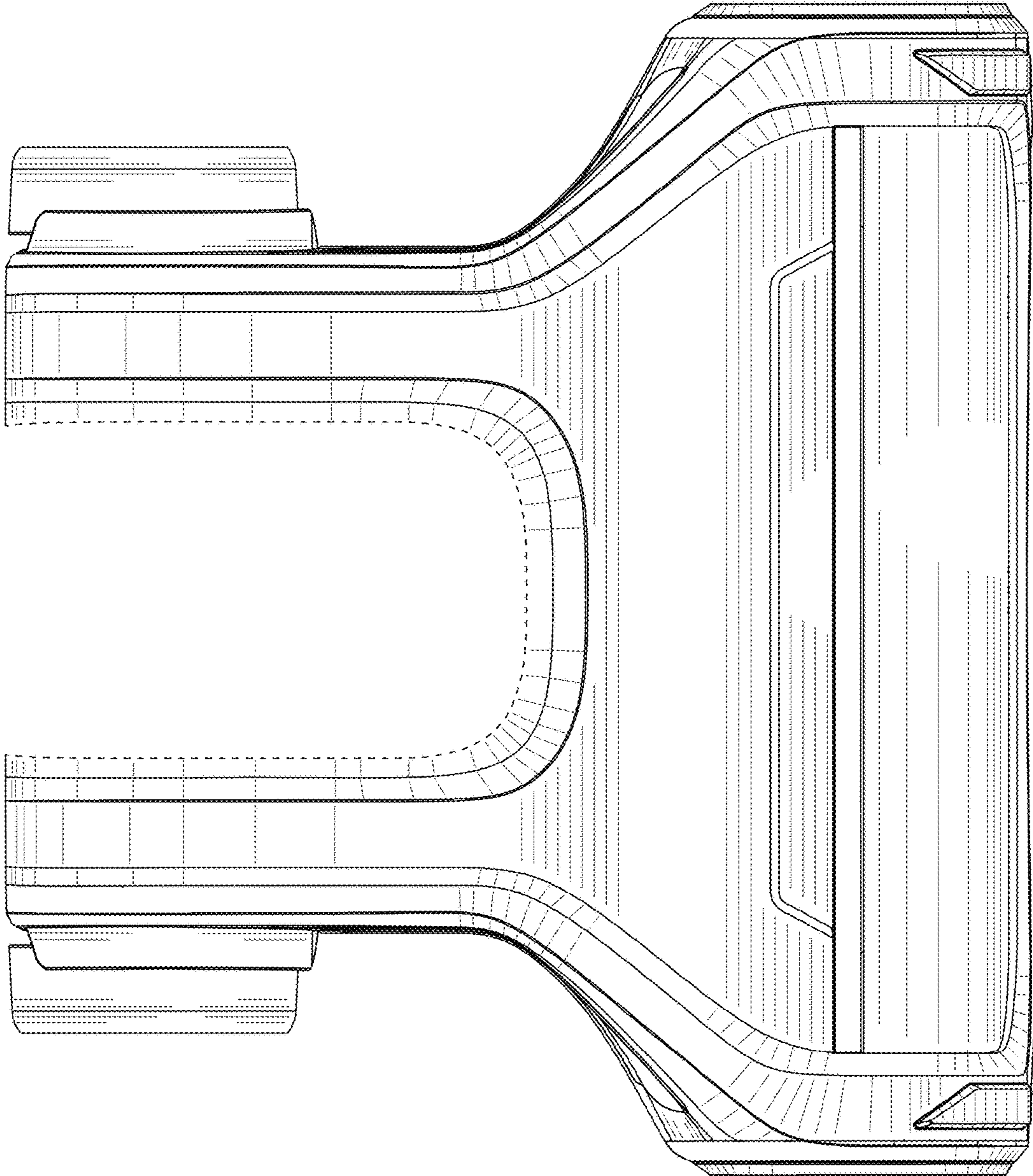


FIG. 5

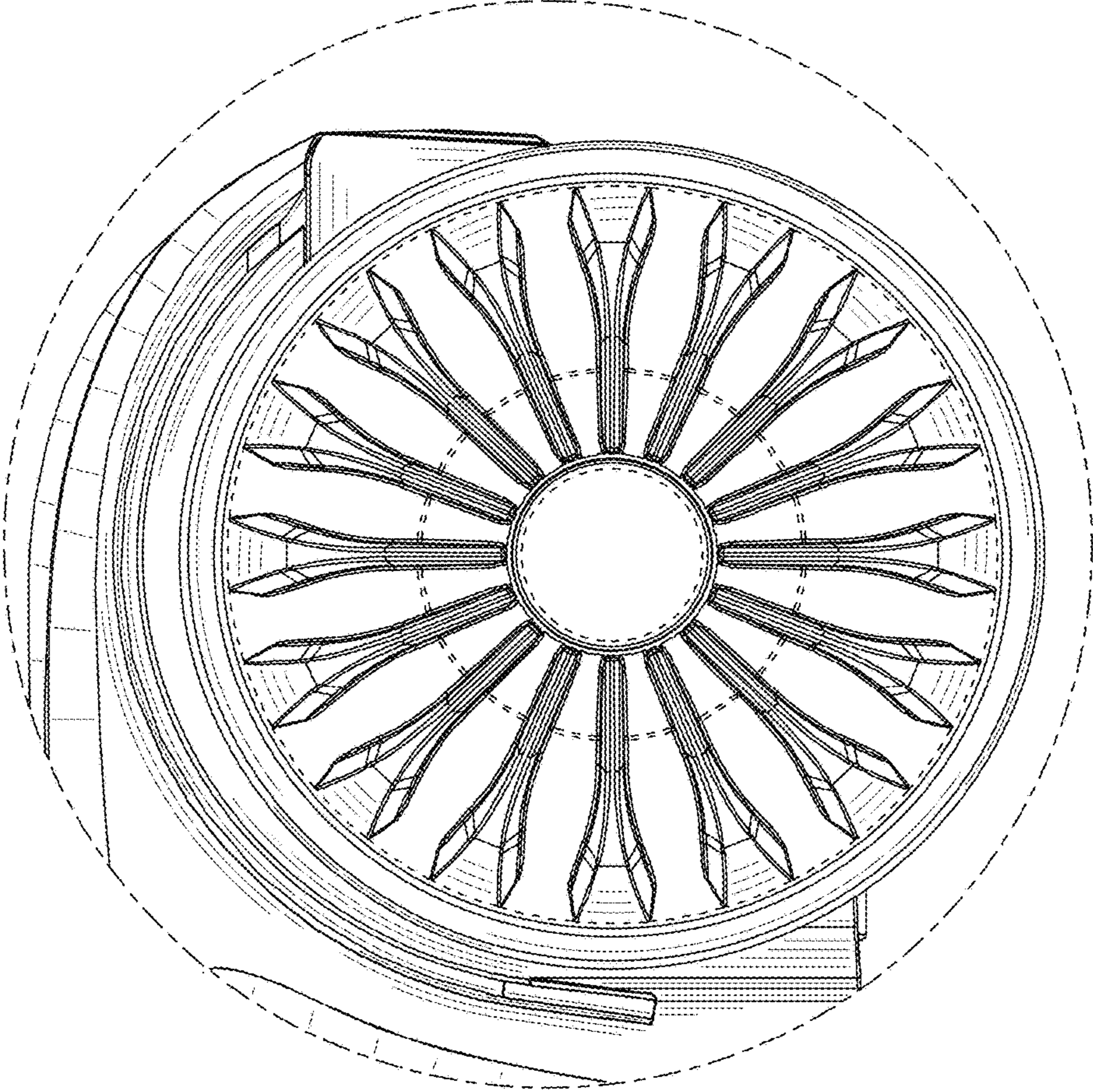


FIG. 6